



US00D753299S

(12) **United States Design Patent**
Di Spiezio Sardo et al.

(10) **Patent No.:** **US D753,299 S**
(45) **Date of Patent:** **** Apr. 5, 2016**

- (54) **GRASPING FORCEPS**
- (71) Applicant: **KARL STORZ GmbH & Co. KG**,
Tuttlingen (DE)
- (72) Inventors: **Attilio Di Spiezio Sardo**, Naples (IT);
Yann Thouement, Les Essarts le Roi (FR)
- (73) Assignee: **KARL STORZ GmbH & Co. KG**,
Tuttlingen (DE)
- (**) Term: **14 Years**
- (21) Appl. No.: **29/517,920**
- (22) Filed: **Feb. 18, 2015**
- (30) **Foreign Application Priority Data**
Aug. 14, 2014 (EM) 002519926-0001
Aug. 14, 2014 (EM) 002519926-0002
Aug. 14, 2014 (EM) 002519926-0003
- (51) **LOC (10) Cl.** **24-02**
- (52) **U.S. Cl.**
USPC **D24/143; D24/146**
- (58) **Field of Classification Search**
USPC D24/143-144, 145-146, 133; 606/167,
606/174, 205-206, 208
CPC .. A61B 17/28; A61B 17/282; A61B 17/2841;
A61B 17/29; A61B 17/2901; A61B 17/2909
See application file for complete search history.

- (56) **References Cited**
U.S. PATENT DOCUMENTS
D338,065 S * 8/1993 Rose D24/143
D348,103 S * 6/1994 Brancel D24/143
5,336,238 A * 8/1994 Holmes A61B 17/28
606/170
D354,563 S * 1/1995 Holmes D24/143
5,618,308 A * 4/1997 Holmes A61B 17/28
606/170
6,096,058 A * 8/2000 Boche A61B 17/29
600/564
D641,874 S * 7/2011 Solingen D24/133

- 8,114,107 B2 * 2/2012 Ahlberg A61B 17/320016
606/174
- 8,277,475 B2 * 10/2012 Kessler A61B 17/320016
606/174
- 2013/0158593 A1 * 6/2013 Kiapour A61B 17/29
606/205
- 2014/0171999 A1 * 6/2014 Goldsmith A61B 17/29
606/174

* cited by examiner

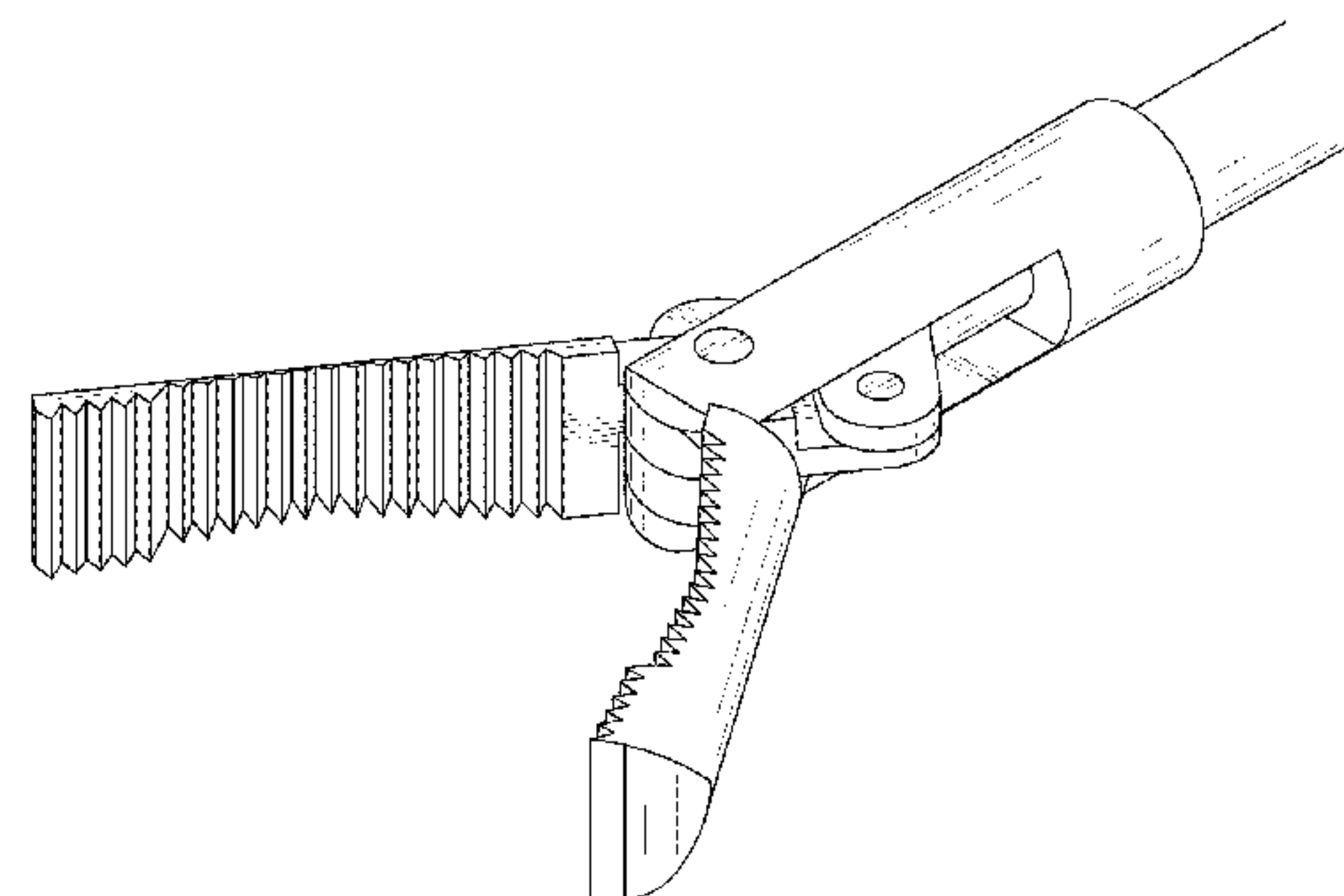
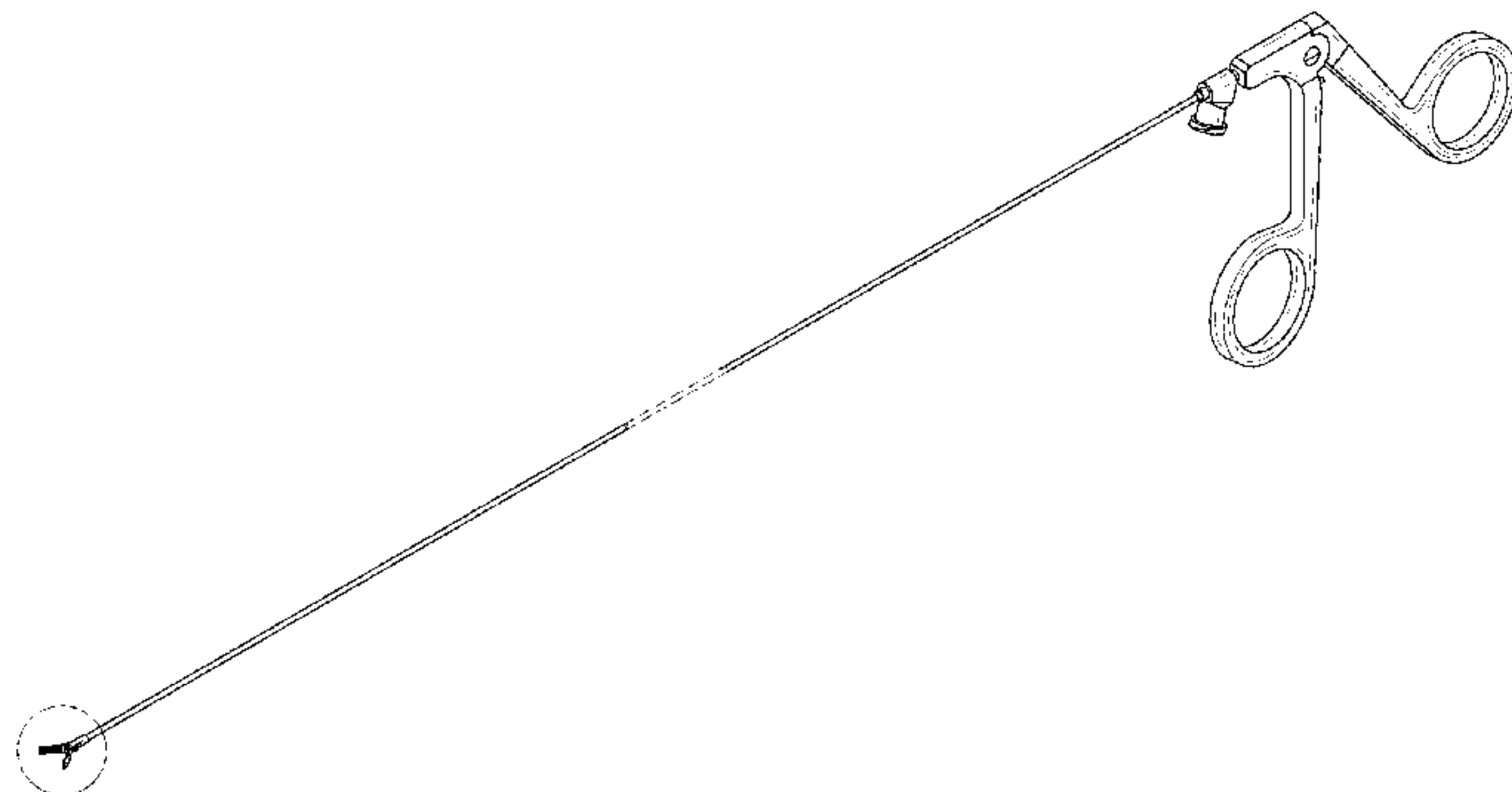
Primary Examiner — Wan Laymon
(74) *Attorney, Agent, or Firm* — Muncy, Geissler, Olds & Lowe, P.C.

(57) **CLAIM**
The ornamental design for a grasping forceps, as shown and described.

DESCRIPTION

FIG. 1 is a top front perspective view of a grasping forceps according to the present invention.
 FIG. 2 is a left side view of the grasping forceps of FIG. 1.
 FIG. 3 is a right side view of the grasping forceps of FIG. 1.
 FIG. 4 is a rear view of the grasping forceps of FIG. 1.
 FIG. 5 is a front view of the grasping forceps of FIG. 1.
 FIG. 6 is a top view of the grasping forceps of FIG. 1.
 FIG. 7 is a bottom view of the grasping forceps of FIG. 1.
 FIG. 8 is an enlarged top view of the grasp illustrated in FIG. 1 in an open position.
 FIG. 9 is an enlarged left side view of the grasp illustrated in FIG. 1 in an open position.
 FIG. 10 is an enlarged perspective view of the grasp illustrated in FIG. 1 in an open position.
 FIG. 11 is an enlarged top view of the grasp illustrated in FIG. 1 in a closed position.
 FIG. 12 is an enlarged left side view of the grasp illustrated in FIG. 1 in a closed position; and,
 FIG. 13 is an enlarged perspective view of the grasp illustrated in FIG. 1 in a closed position.
 The dashed lines illustrate environment that does not form a part of the present invention, and no claim is made to the material illustrated with dashed lines.
 The grasping forceps is shown with a symbolic break in its length. The appearance of any portion of the article between the break lines forms no part of the claimed design.

1 Claim, 12 Drawing Sheets



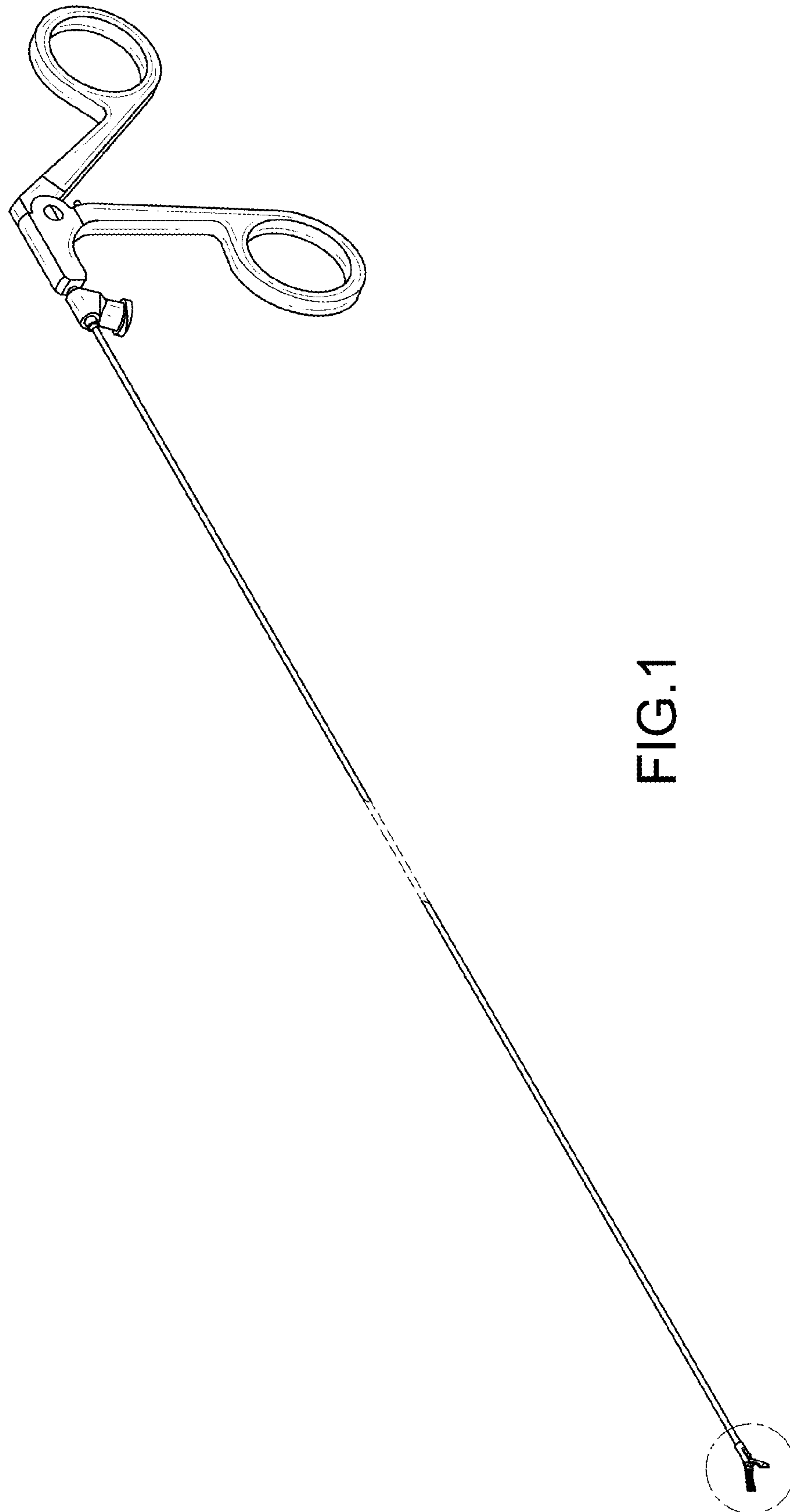


FIG.1

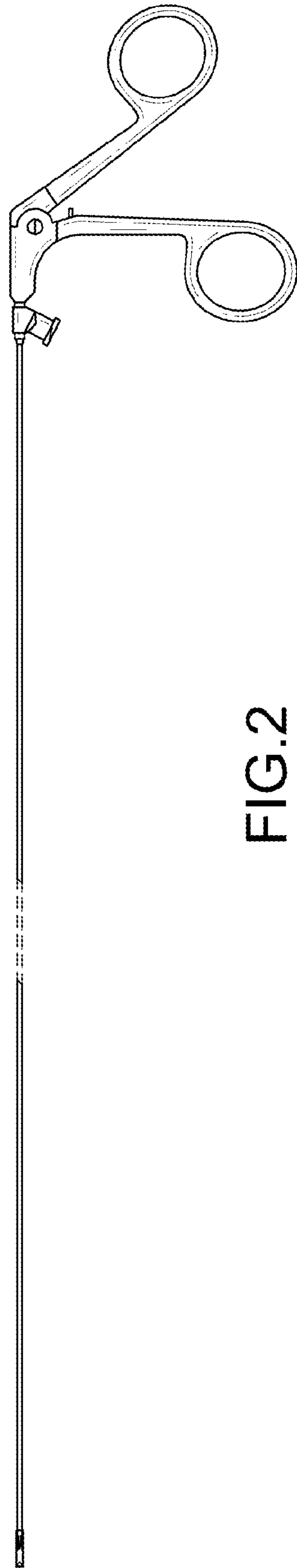


FIG.2

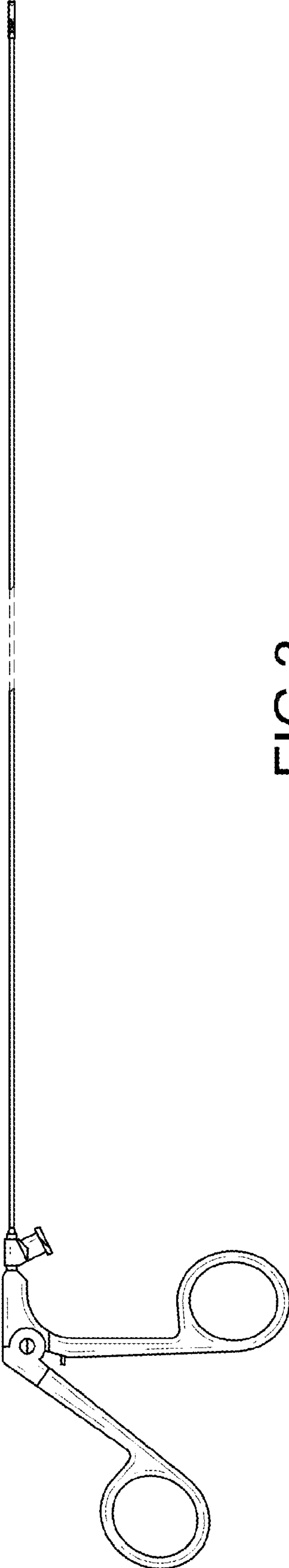


FIG.3



FIG.4

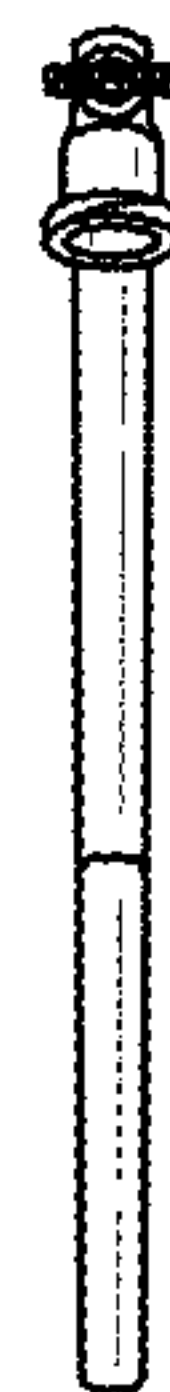


FIG.5



FIG.6

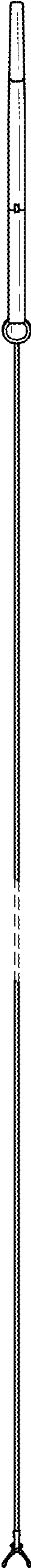


FIG.7

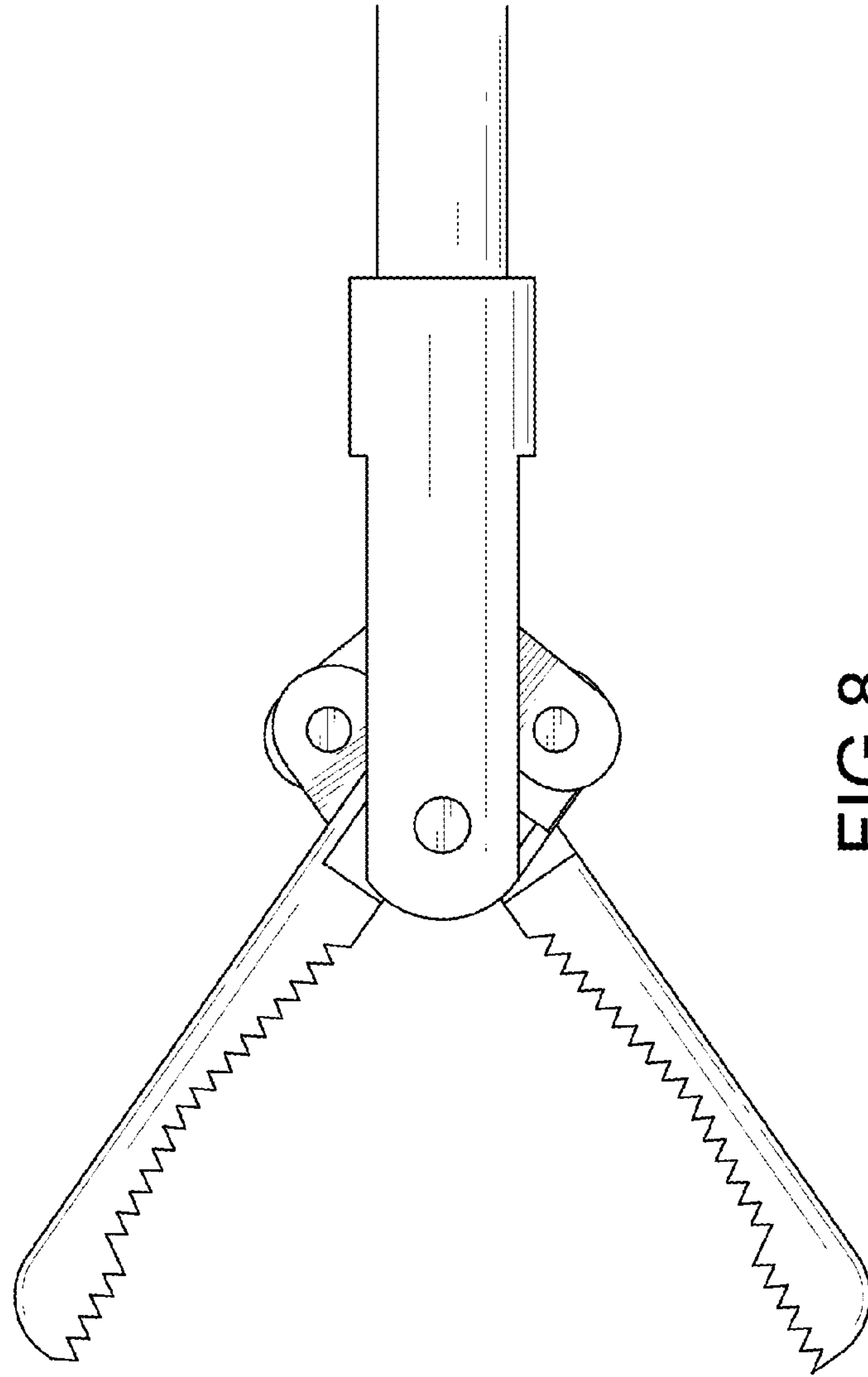


FIG.8

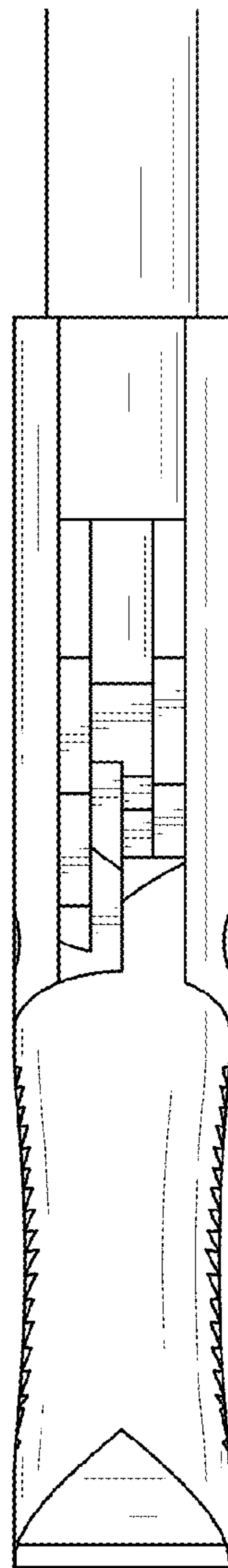


FIG. 9

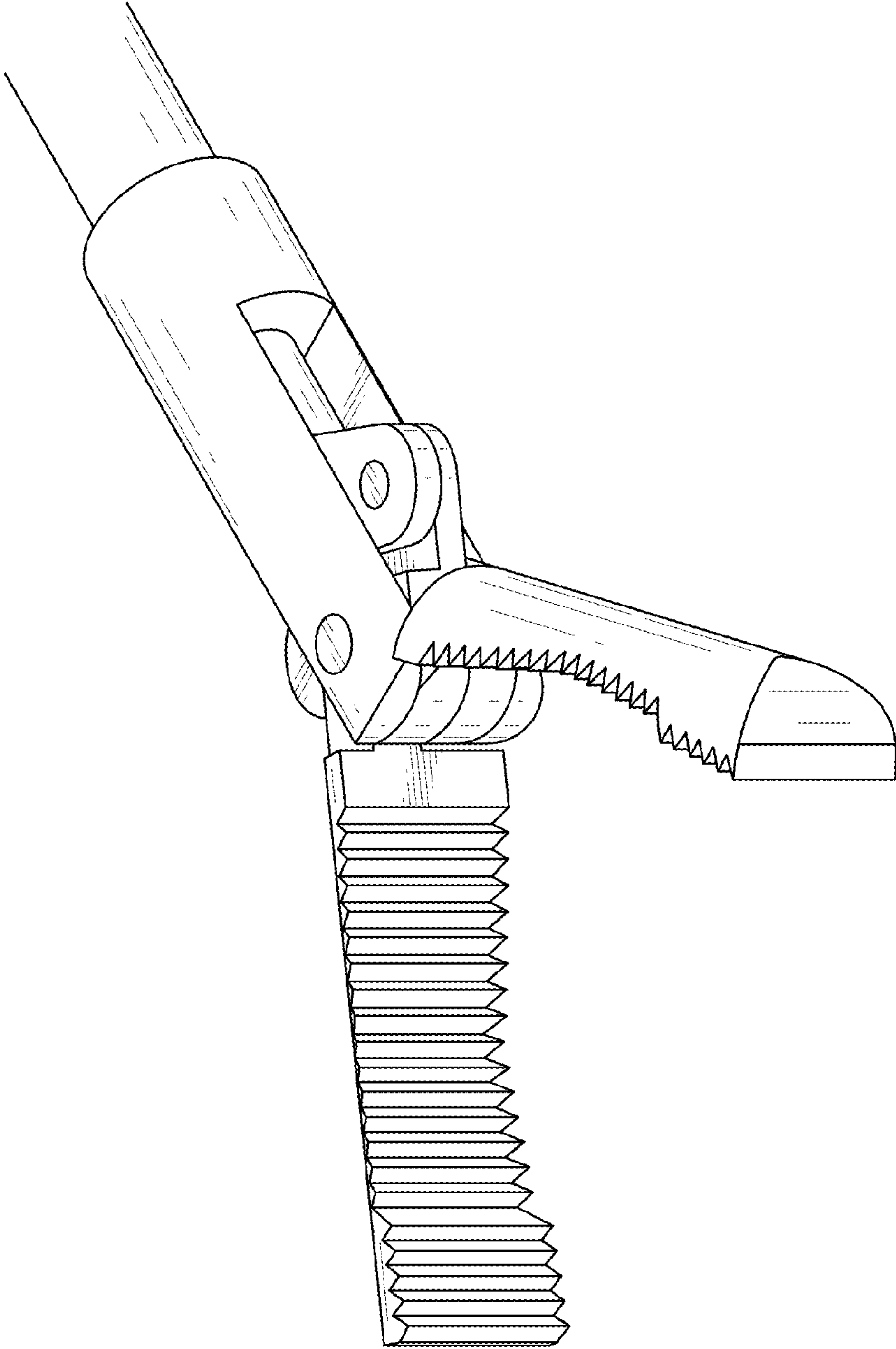


FIG.10

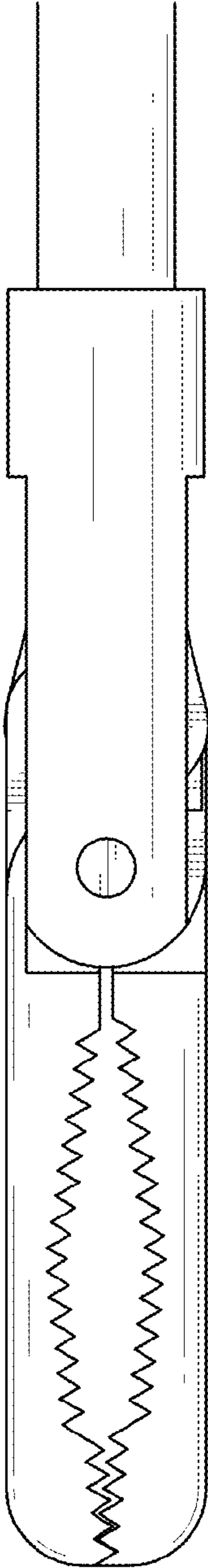


FIG.11

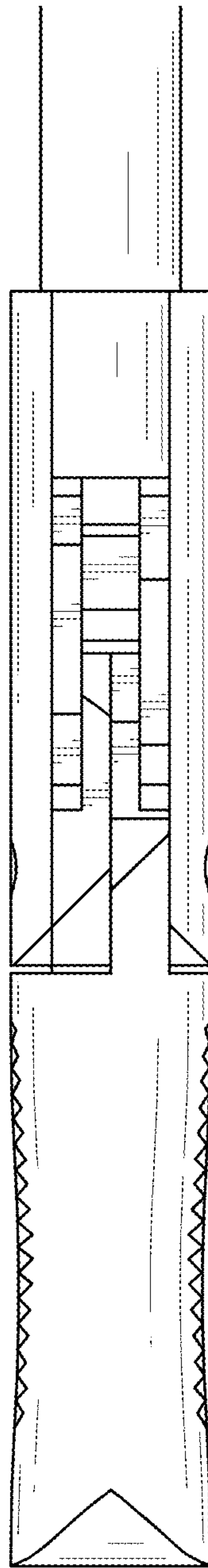


FIG.12

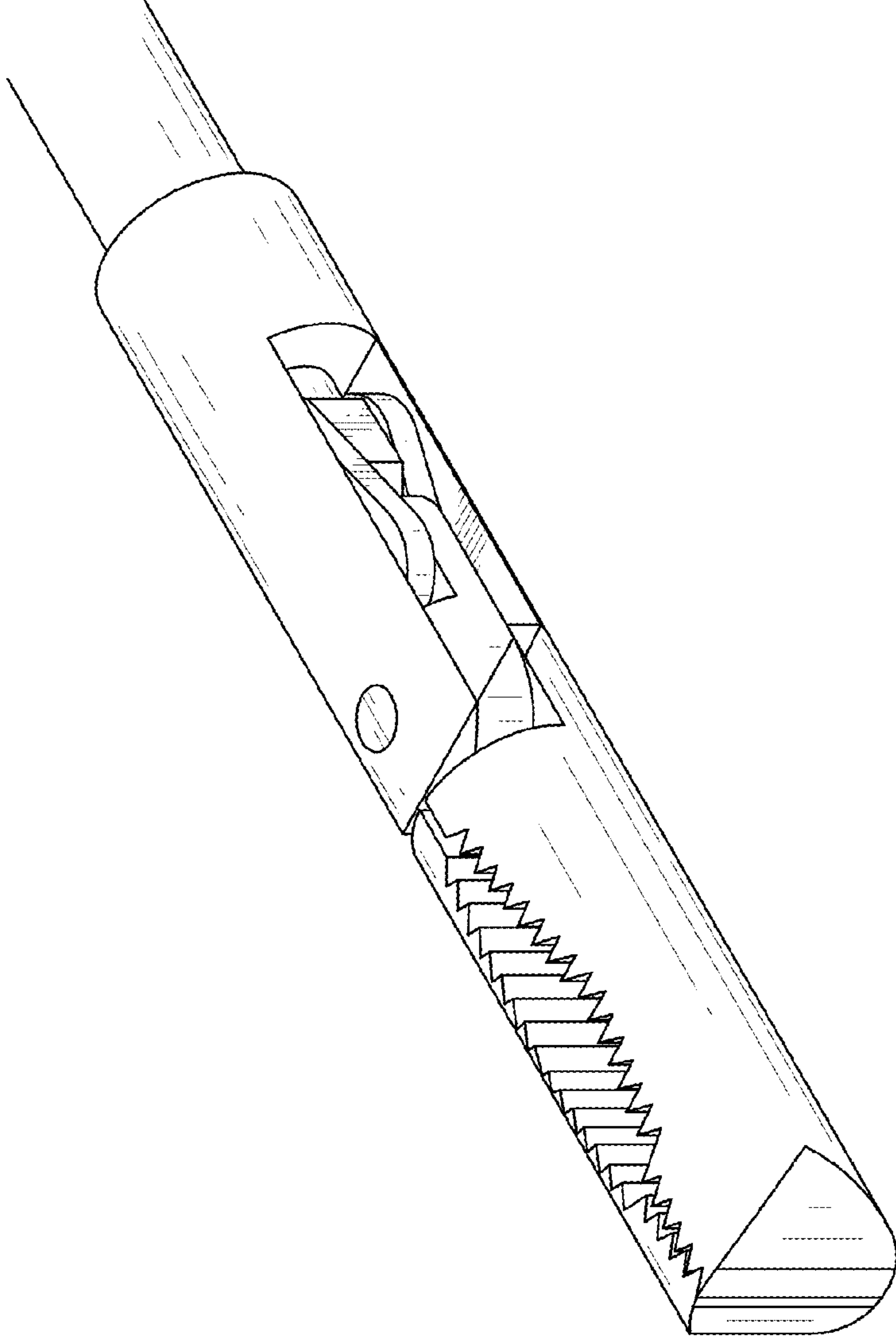


FIG.13