



US00D753298S

(12) **United States Design Patent**
Hayamizu

(10) **Patent No.:** **US D753,298 S**
(45) **Date of Patent:** **** Apr. 5, 2016**

- (54) **ENDOSCOPE CONTROL GRIP**
- (71) Applicant: **HOYA CORPORATION**, Tokyo (JP)
- (72) Inventor: **Eiji Hayamizu**, Tokyo (JP)
- (73) Assignee: **Hoya Corporation**, Tokyo (JP)
- (**) Term: **14 Years**
- (21) Appl. No.: **29/513,105**
- (22) Filed: **Dec. 26, 2014**

- D634,007 S 3/2011 Zinger et al.
- D638,931 S 5/2011 Graham et al.
- D664,649 S 7/2012 Becker
- D667,106 S 9/2012 Puhasmagi

(Continued)

FOREIGN PATENT DOCUMENTS

- CN 300810548 * 7/2008
- CN 301642454 * 8/2011

(Continued)

OTHER PUBLICATIONS

FujiFilm SB-602 User Manual, issued by FujiFilm Corporation on Aug. 30, 2010 (1st Edition) and Oct. 29, 2010 (2nd edition), 2 pages.

(Continued)

(30) **Foreign Application Priority Data**

Jun. 30, 2014 (JP) 2014-014330

(51) **LOC (10) Cl.** **24-02**

(52) **U.S. Cl.**
USPC **D24/138**

(58) **Field of Classification Search**
USPC D24/138, 137, 133, 135, 140; 600/131,
600/132, 145-147
CPC A61B 1/267; A61B 1/2673; A61B 1/2676;
A61B 1/00; A61B 1/00052; A61B 1/00066;
A61B 5/0077; A61B 19/5223; A61B 19/5225;
A61B 1/04; A61B 1/042; A61B 8/5215;
G02B 23/24

See application file for complete search history.

(56) **References Cited**

U.S. PATENT DOCUMENTS

- D437,934 S 2/2001 Wilkinson et al.
- D468,015 S 12/2002 Horppu
- D481,124 S * 10/2003 Hayamizu D24/138
- D486,910 S * 2/2004 Hayamizu D24/138
- D493,529 S * 7/2004 Hayamizu D24/138
- 6,786,865 B2 9/2004 Dhindsa
- D498,846 S * 11/2004 Hayamizu D24/138
- D519,632 S 4/2006 Bayron et al.
- D535,393 S * 1/2007 Pilvisto D16/202
- D629,099 S 12/2010 Kilani

Primary Examiner — Bridget L Eland

Assistant Examiner — Lauren McVey

(74) *Attorney, Agent, or Firm* — Faegre Baker Daniels LLP

(57) **CLAIM**

The ornamental design for an endoscope control grip, as shown and described.

DESCRIPTION

FIG. 1 is a front, top, and right side perspective view of an endoscope control grip showing my new design;

FIG. 2 is a rear, bottom, and right side perspective view thereof;

FIG. 3 is a front view thereof;

FIG. 4 is a rear view thereof;

FIG. 5 is a top plan view thereof;

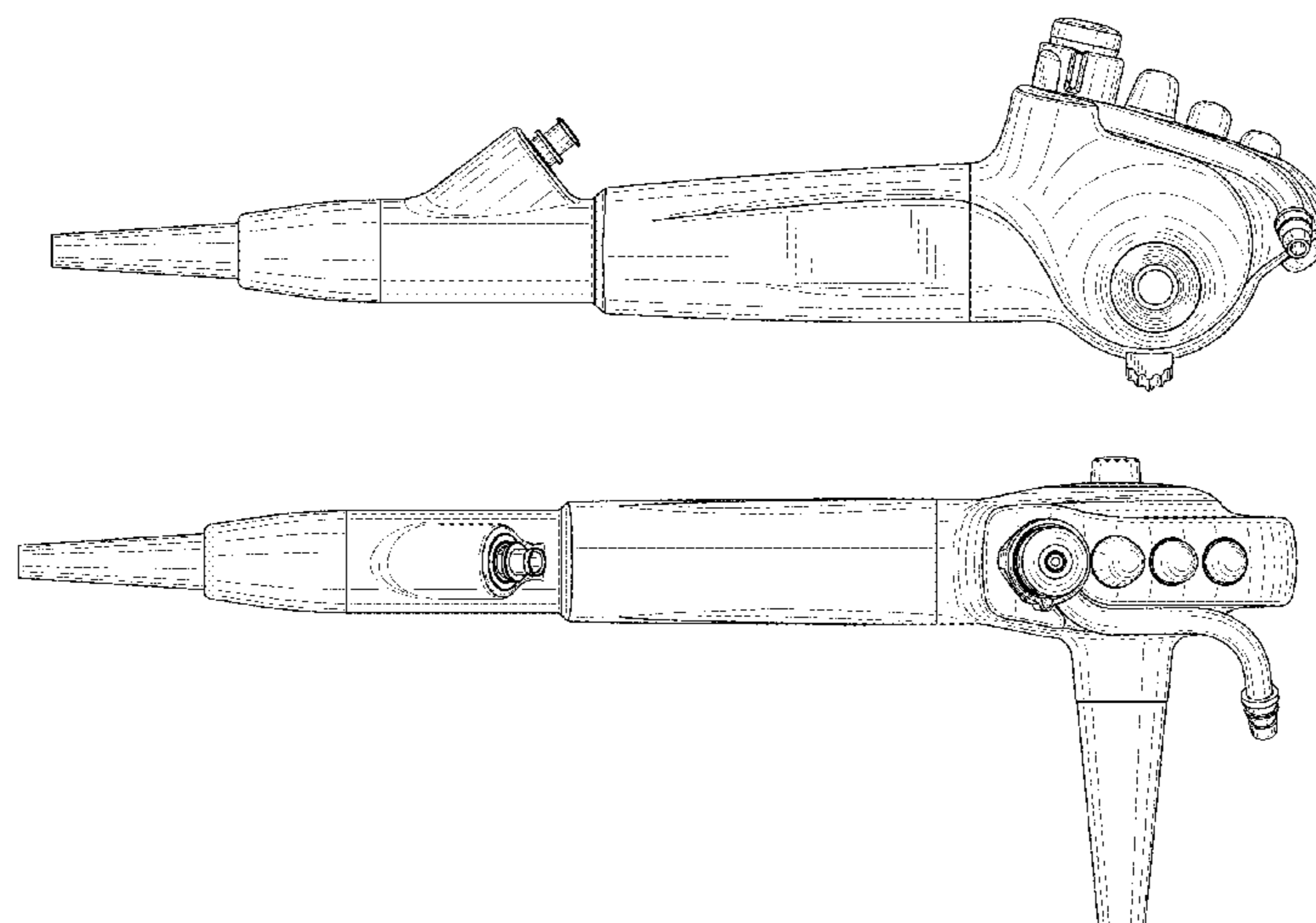
FIG. 6 is a bottom plan view thereof;

FIG. 7 is a right side view thereof; and,

FIG. 8 is a left side view thereof.

Portions of the article not visible in any drawing form no part of the claimed design.

1 Claim, 8 Drawing Sheets



(56)

References Cited

U.S. PATENT DOCUMENTS

D673,674 S 1/2013 Ho
 D675,729 S 2/2013 Wang
 D675,732 S 2/2013 Baid
 D718,443 S * 11/2014 Yoshida D24/138
 D718,445 S * 11/2014 Yoshida D24/138
 D718,447 S * 11/2014 Yoshida D24/138
 D736,914 S 8/2015 Schultz
 D736,915 S 8/2015 Schultz
 2007/0038024 A1* 2/2007 Nakamura A61B 1/00124
 600/110
 2009/0216084 A1* 8/2009 Yamane A61B 1/00068
 600/159

FOREIGN PATENT DOCUMENTS

CN 303219022 * 5/2015
 JP D7761591 A 5/1990

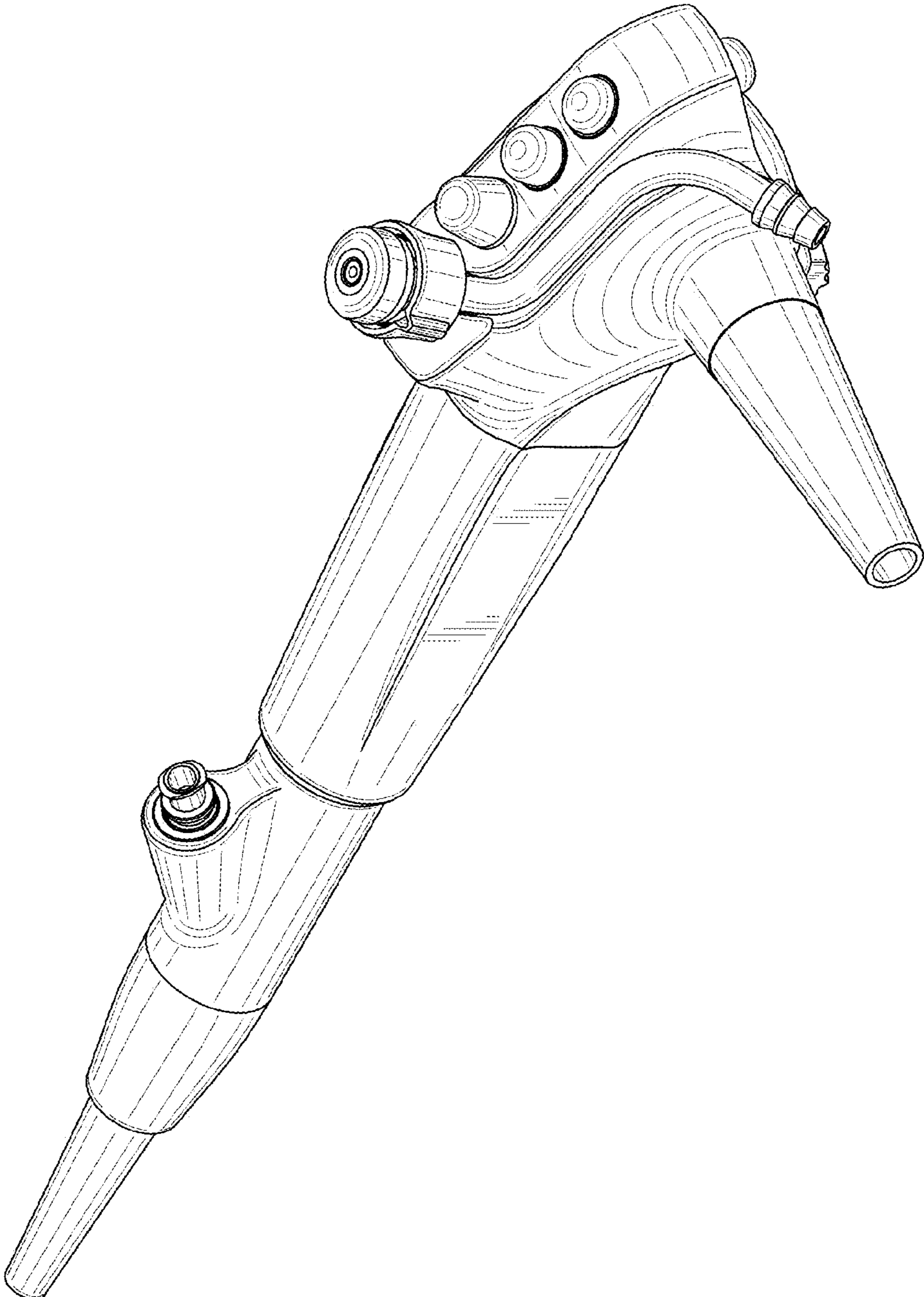
JP D814756 A 7/1991
 JP D865437 A 3/1993
 JP WO 2011013453 A1 * 2/2011 A61B 1/00052
 JP WO 2014155793 A1 * 10/2014 G02B 23/24
 JP WO 2014192386 A1 * 12/2014 A61B 1/00071

OTHER PUBLICATIONS

Hoya EB-1570AK and EB 1970AK User manual, issued by Hoya Corporation on Aug. 15, 2012 (7th edition) and Jan. 25, 2013 (8 edition), 4 pages.
 Olympus Maj-209 User Manual, issued by Olympus Medical Systems Corp. on Feb. 27, 2007 (10th Edition) and Feb. 3, 2009 (11th edition), 4 pages.
 U.S. Appl. No. 29/513,107, filed Dec. 26, 2014.
 U.S. Appl. No. 29/513,109, filed Dec. 26, 2014.
 U.S. Appl. No. 29/513,110, filed Dec. 26, 2014.

* cited by examiner

FIG. 1



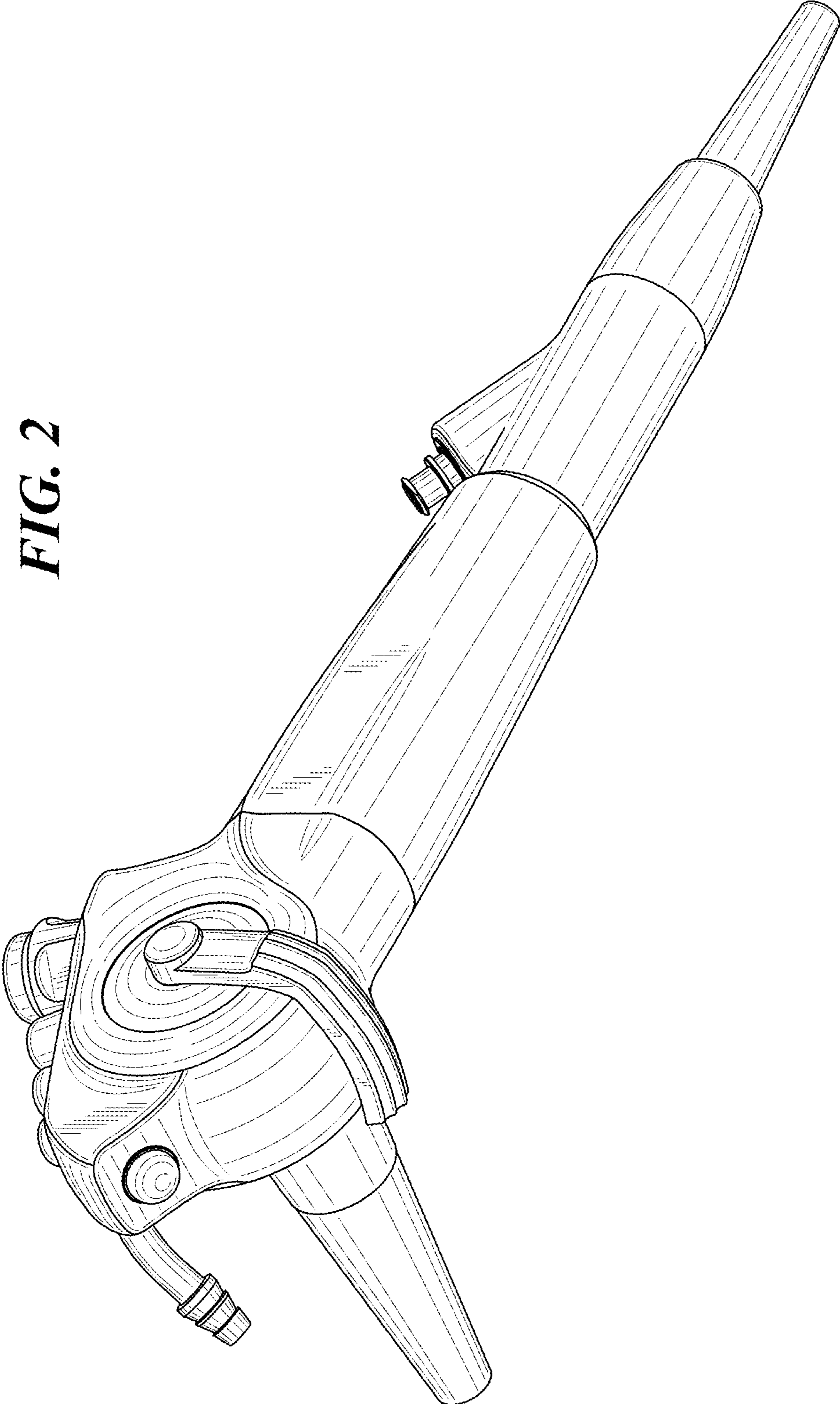


FIG. 2

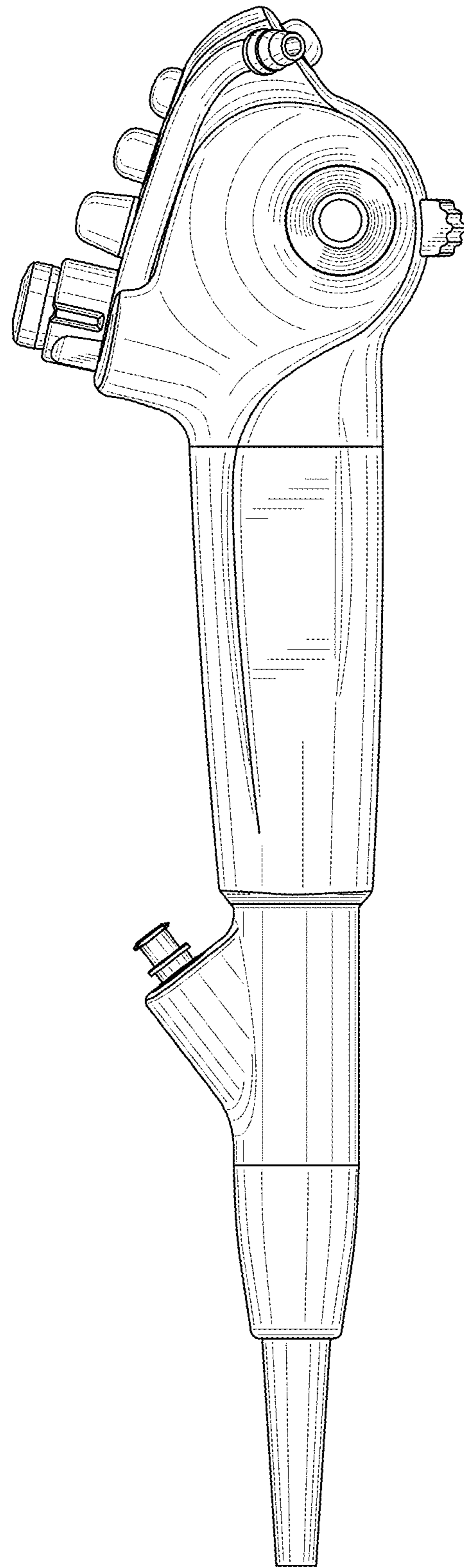


FIG. 3

FIG. 4

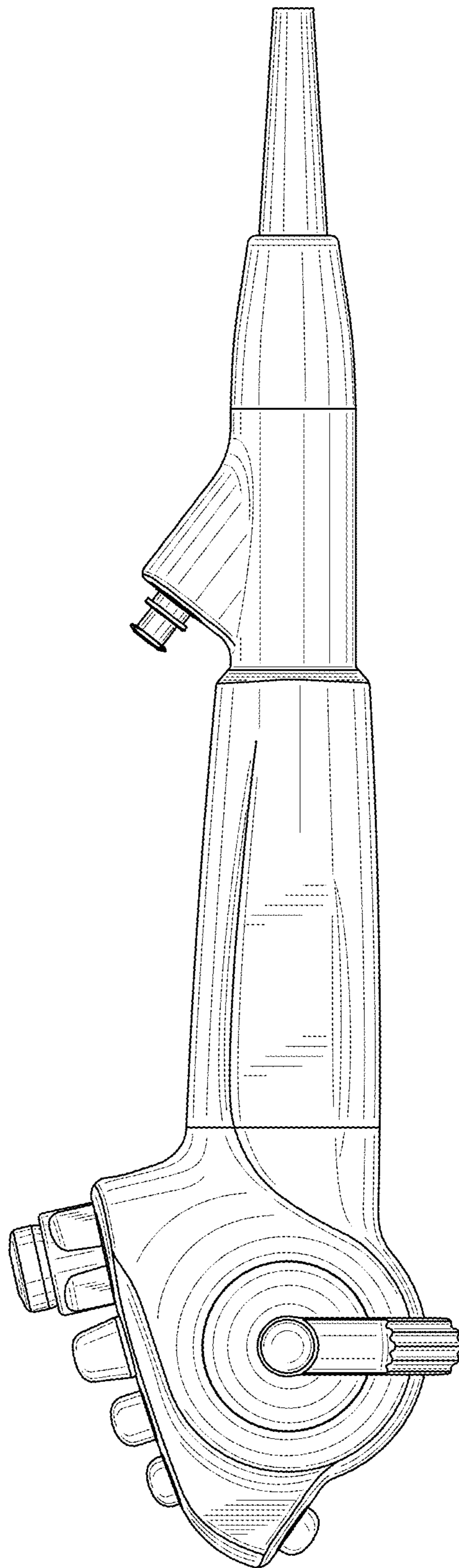
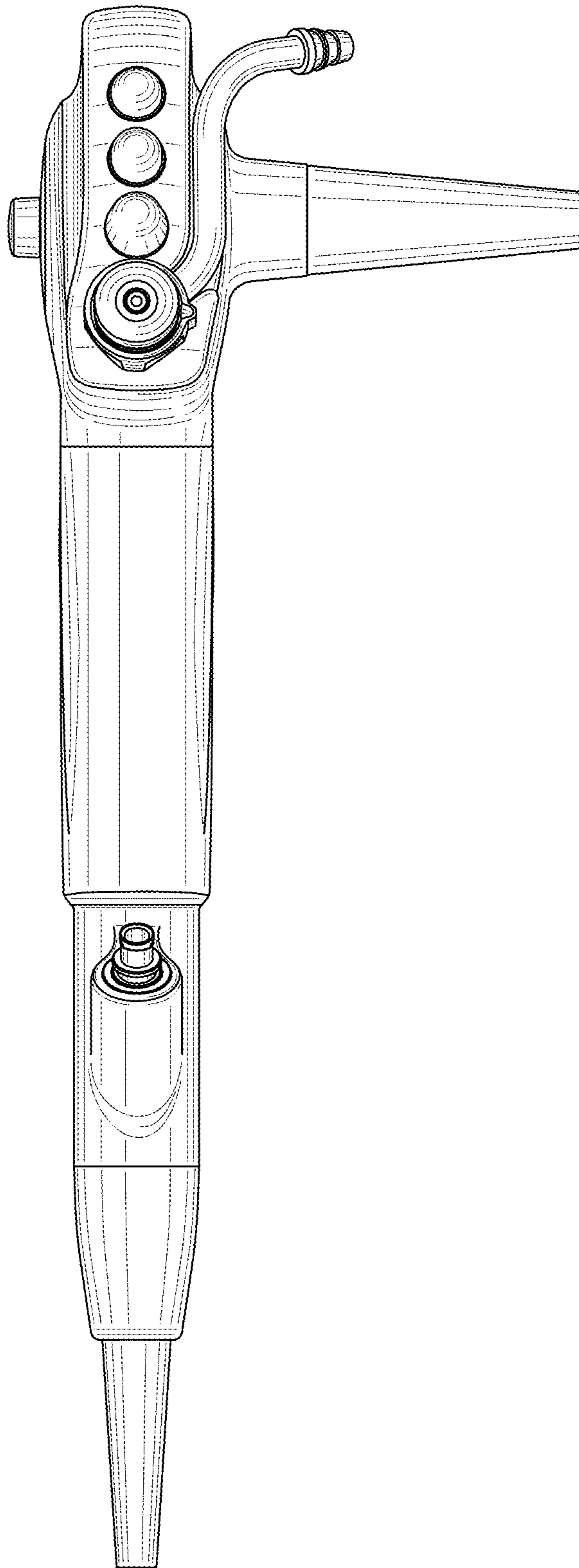


FIG. 5



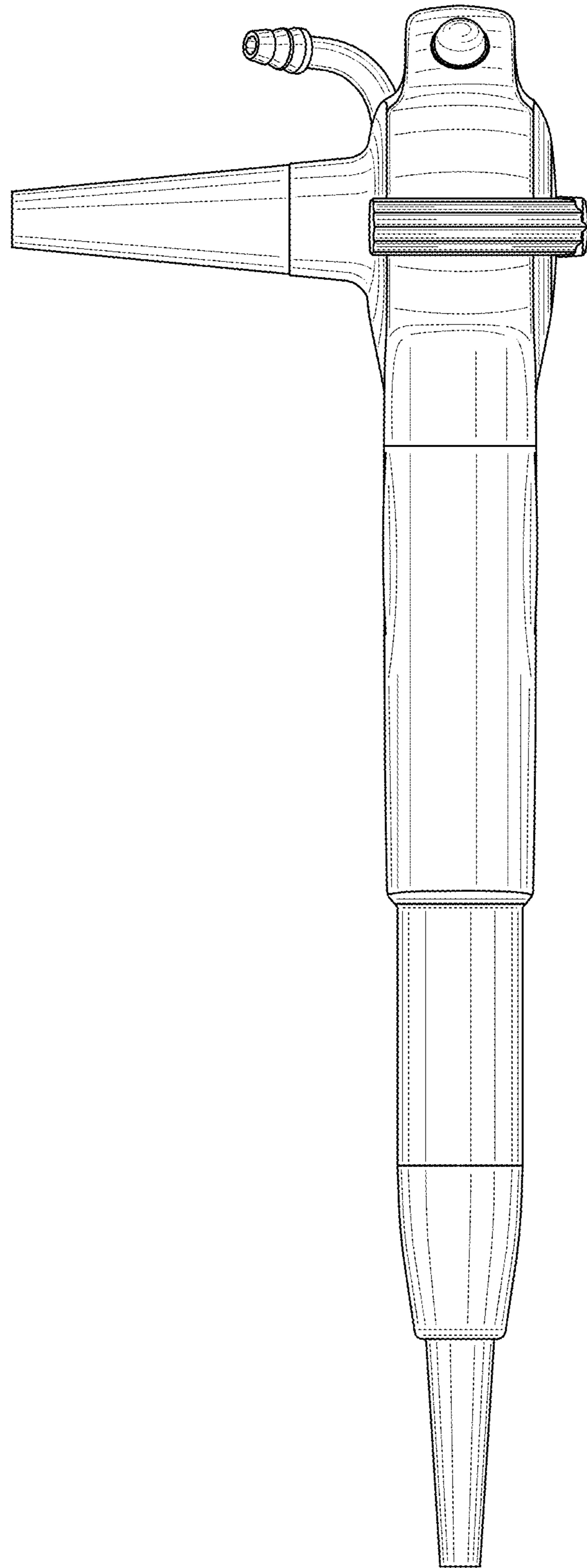


FIG. 6

FIG. 7

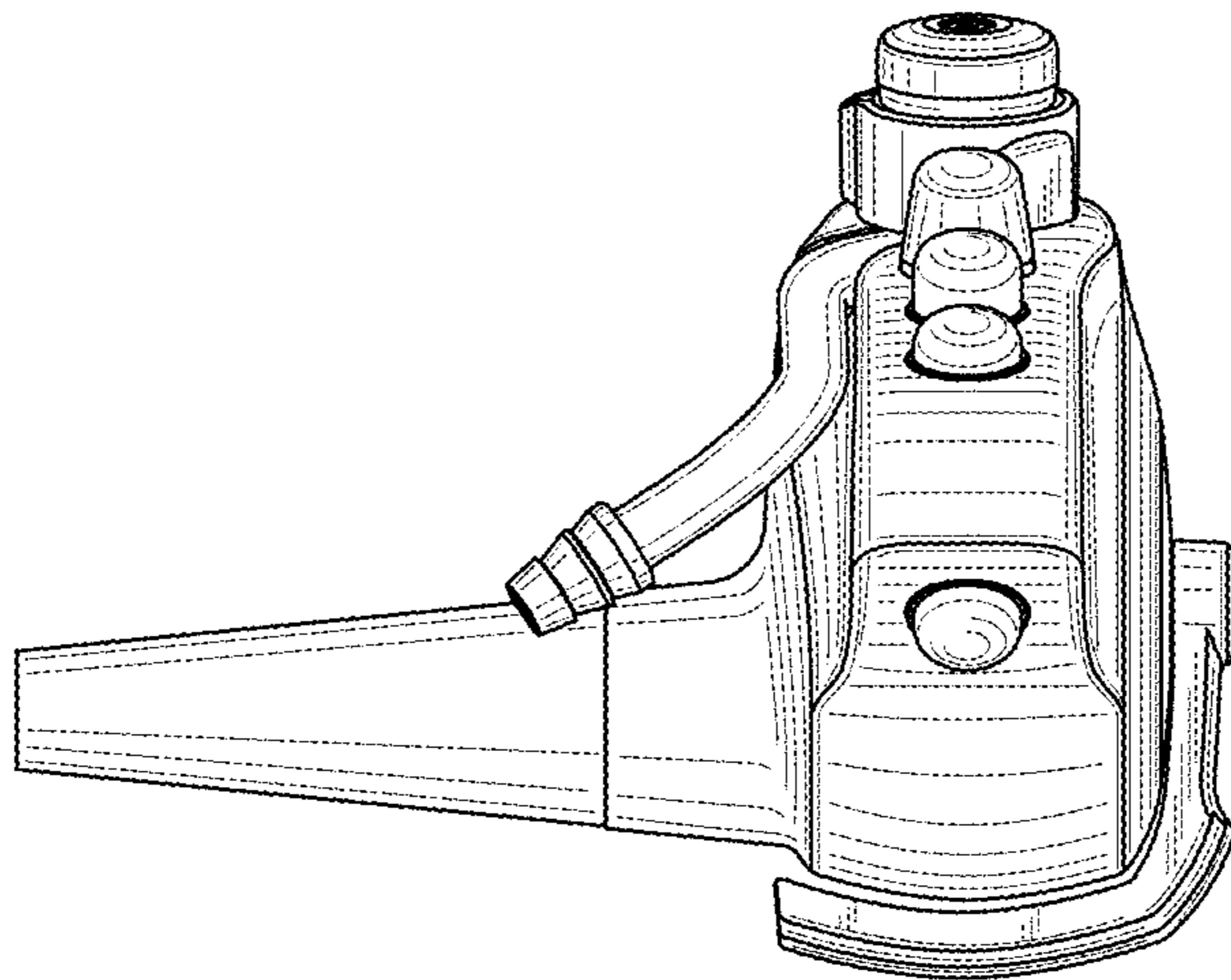


FIG. 8

