



US00D753296S

(12) **United States Design Patent**
Gill et al.

(10) **Patent No.:** **US D753,296 S**

(45) **Date of Patent:** **** Apr. 5, 2016**

(54) **ENDOSCOPE**

(71) Applicant: **DEKA Products Limited Partnership,**
Manchester, NH (US)

(72) Inventors: **Matthew R. Gill,** Cambridge, MA (US);
Kevin L. Grant, Litchfield, NH (US);
David E. Collins, Groveland, MA (US)

(73) Assignee: **DEKA Products Limited Partnership,**
Manchester, NH (US)

(**) Term: **14 Years**

(21) Appl. No.: **29/481,097**

(22) Filed: **Jan. 31, 2014**

(51) **LOC (10) Cl.** **24-02**

(52) **U.S. Cl.**
USPC **D24/138**

(58) **Field of Classification Search**
USPC D24/138, 147, 143, 140, 130, 167;
604/256, 254, 192; 606/184, 185, 46,
606/56; 600/101

See application file for complete search history.

(56) **References Cited**

U.S. PATENT DOCUMENTS

D501,864 S * 2/2005 Greise et al. D16/219
D523,455 S * 6/2006 Greise et al. D16/202
D530,818 S * 10/2006 Lin D24/138

7,670,282 B2 * 3/2010 Mathis 600/104
D643,534 S * 8/2011 Halleck et al. D24/138
D698,441 S * 1/2014 Meguro et al. D24/138
D709,192 S * 7/2014 Czapalla et al. D24/138
D716,942 S * 11/2014 Eisenkolb et al. D24/138
2005/0288549 A1 * 12/2005 Mathis 600/104
2007/0251975 A1 * 11/2007 Sonnenschein et al. ... 227/175.1
2007/0270788 A1 * 11/2007 Nahen et al. 606/15
2013/0267784 A1 * 10/2013 Andreassen et al. 600/200

* cited by examiner

Primary Examiner — Ian Simmons

Assistant Examiner — Samantha Q Lawrence

(74) *Attorney, Agent, or Firm* — Marc J. Gorayeb

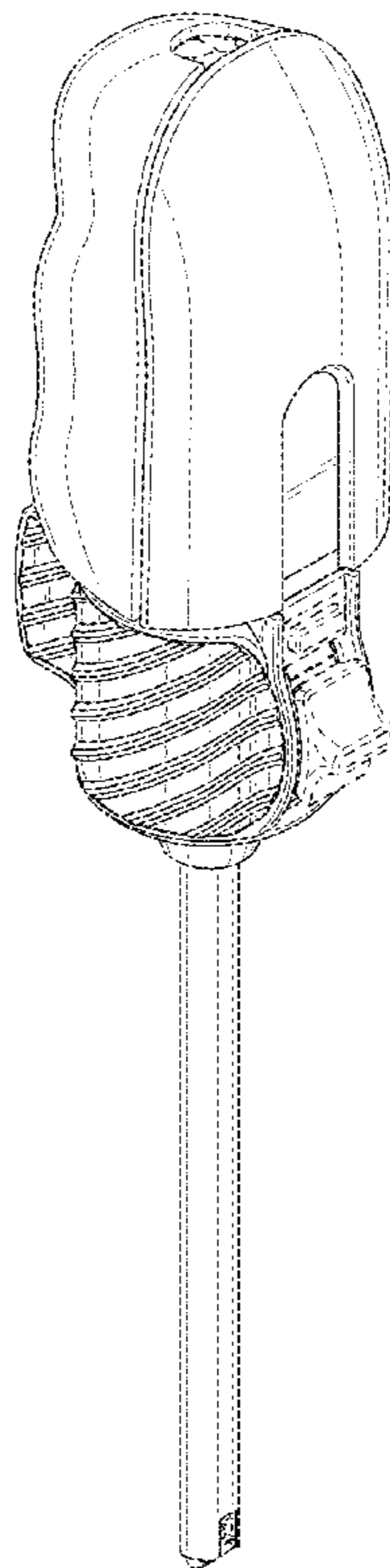
(57) **CLAIM**

The ornamental design for an endoscope, as shown and described.

DESCRIPTION

FIG. 1 is a top, front side perspective view of an endoscope, showing the new design;
FIG. 2 is a top down view thereof;
FIG. 3 is a bottom up view thereof;
FIG. 4 is a front side view thereof;
FIG. 5 is a back side view thereof;
FIG. 6 is a back view thereof; and,
FIG. 7 is a front on view thereof.
The broken lines shown in FIGS. 1-7 illustrate portions of the endoscope that form no part of the claimed design.

1 Claim, 6 Drawing Sheets



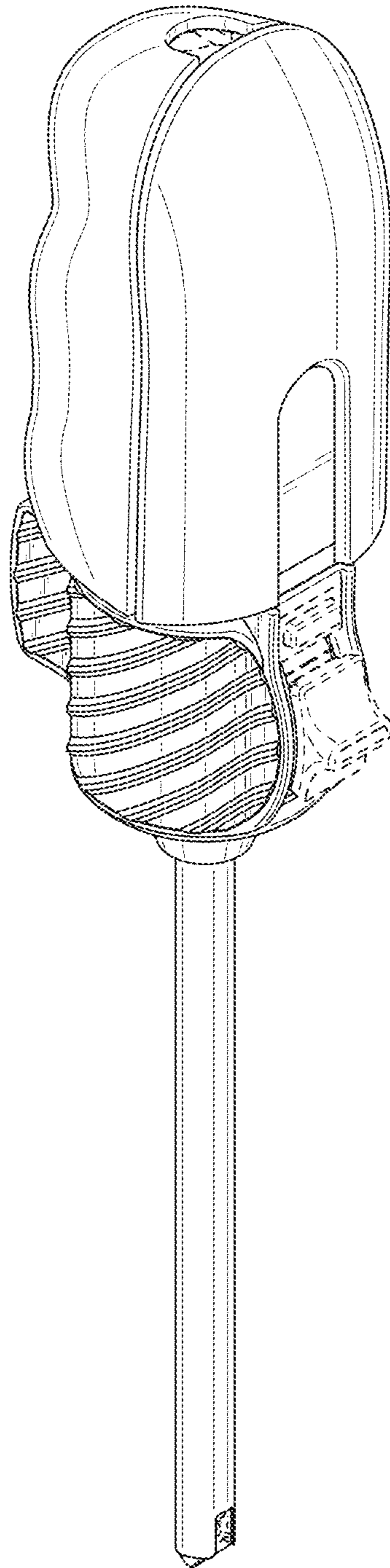


FIG. 1

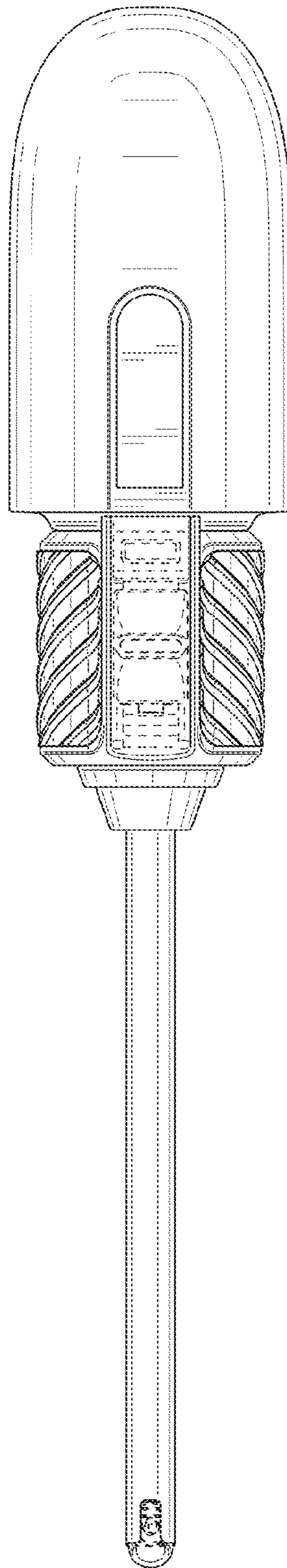


FIG. 2

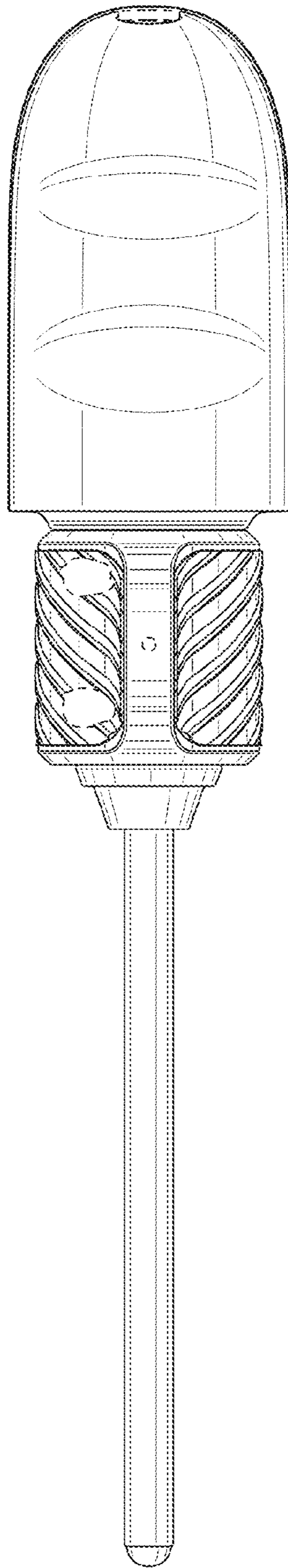


FIG. 3

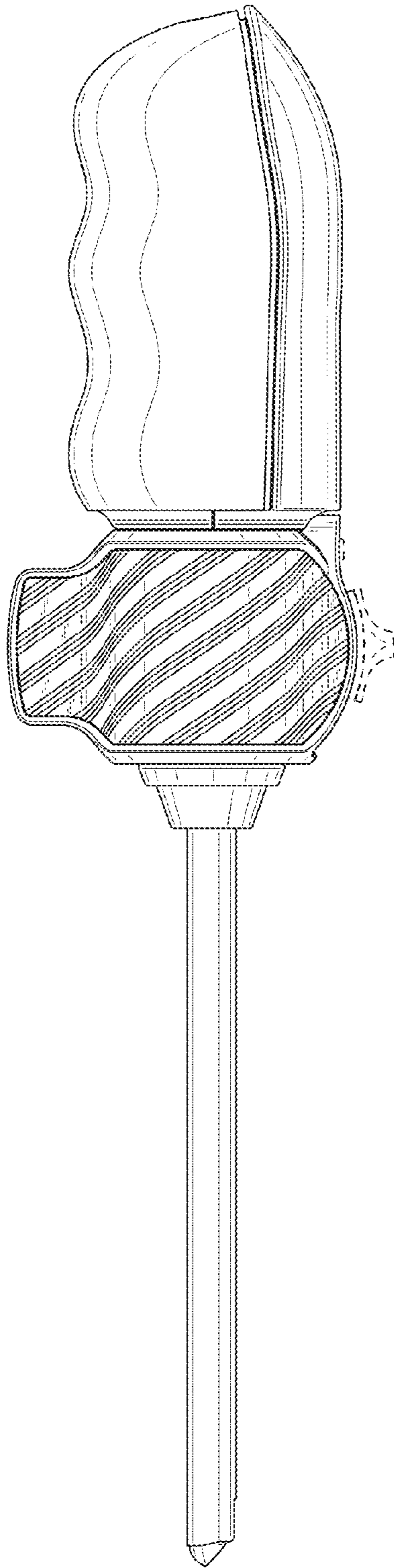


FIG. 4

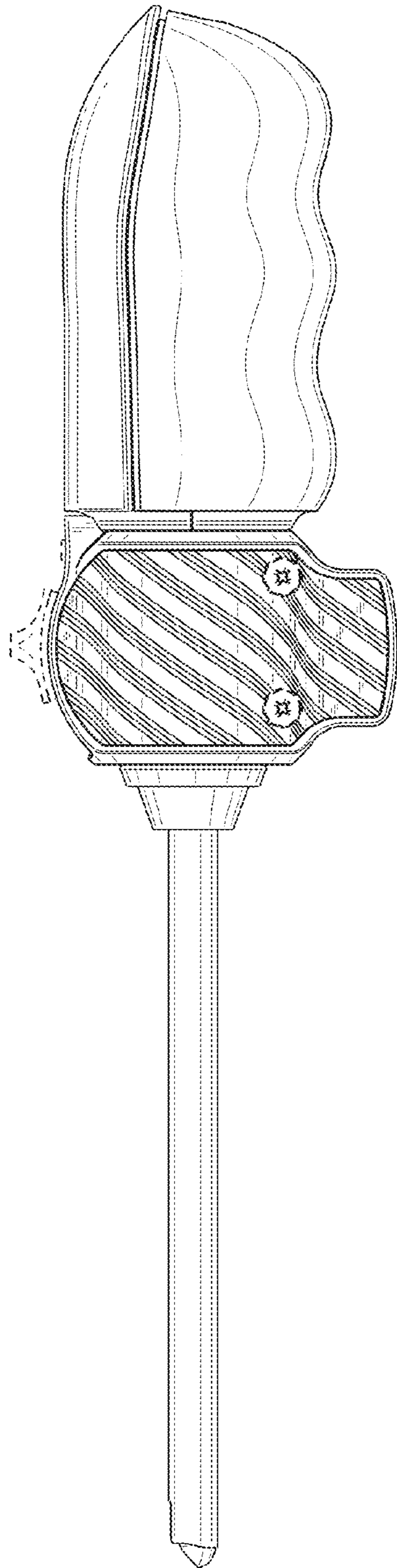


FIG. 5

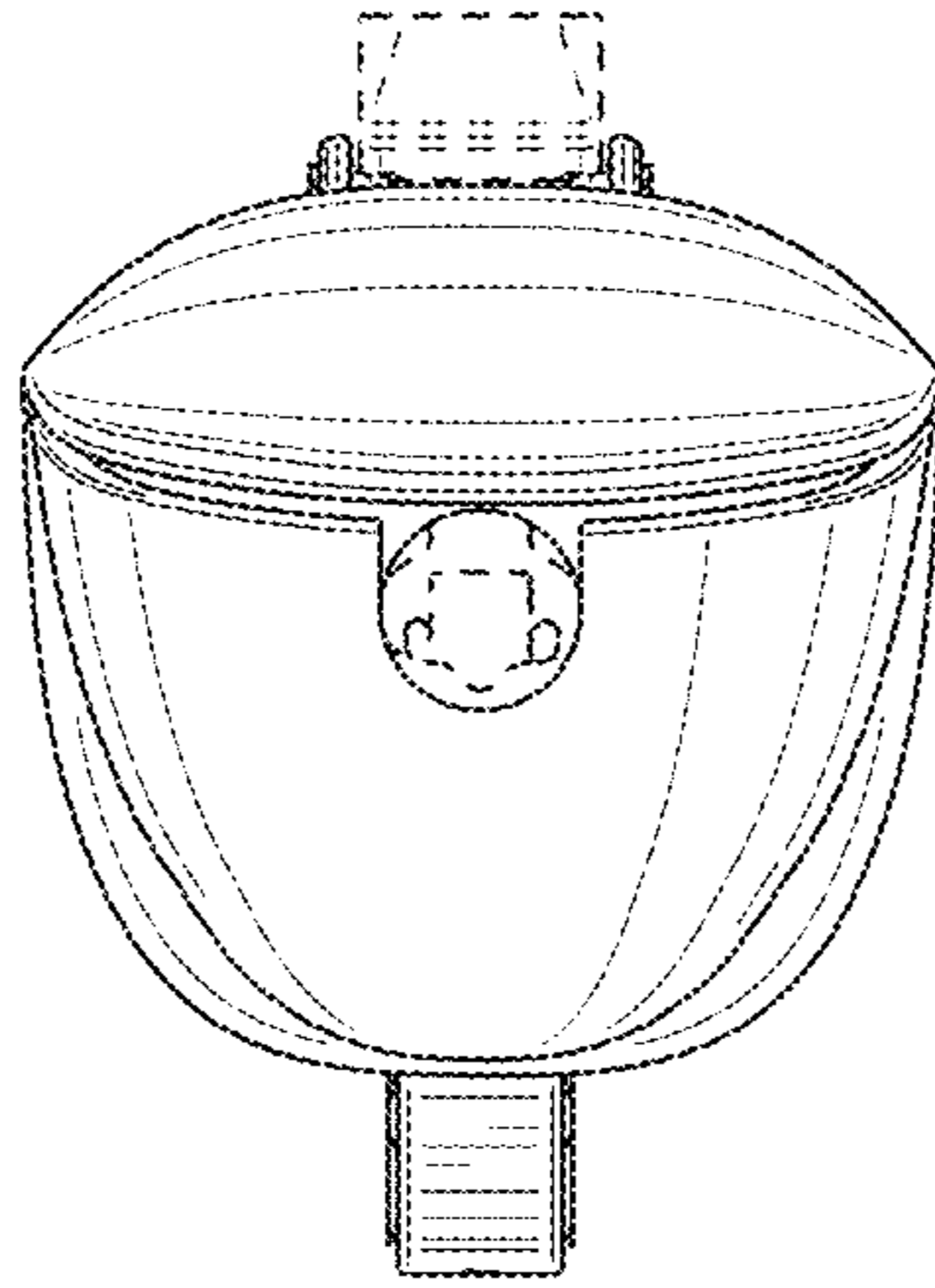


FIG. 6

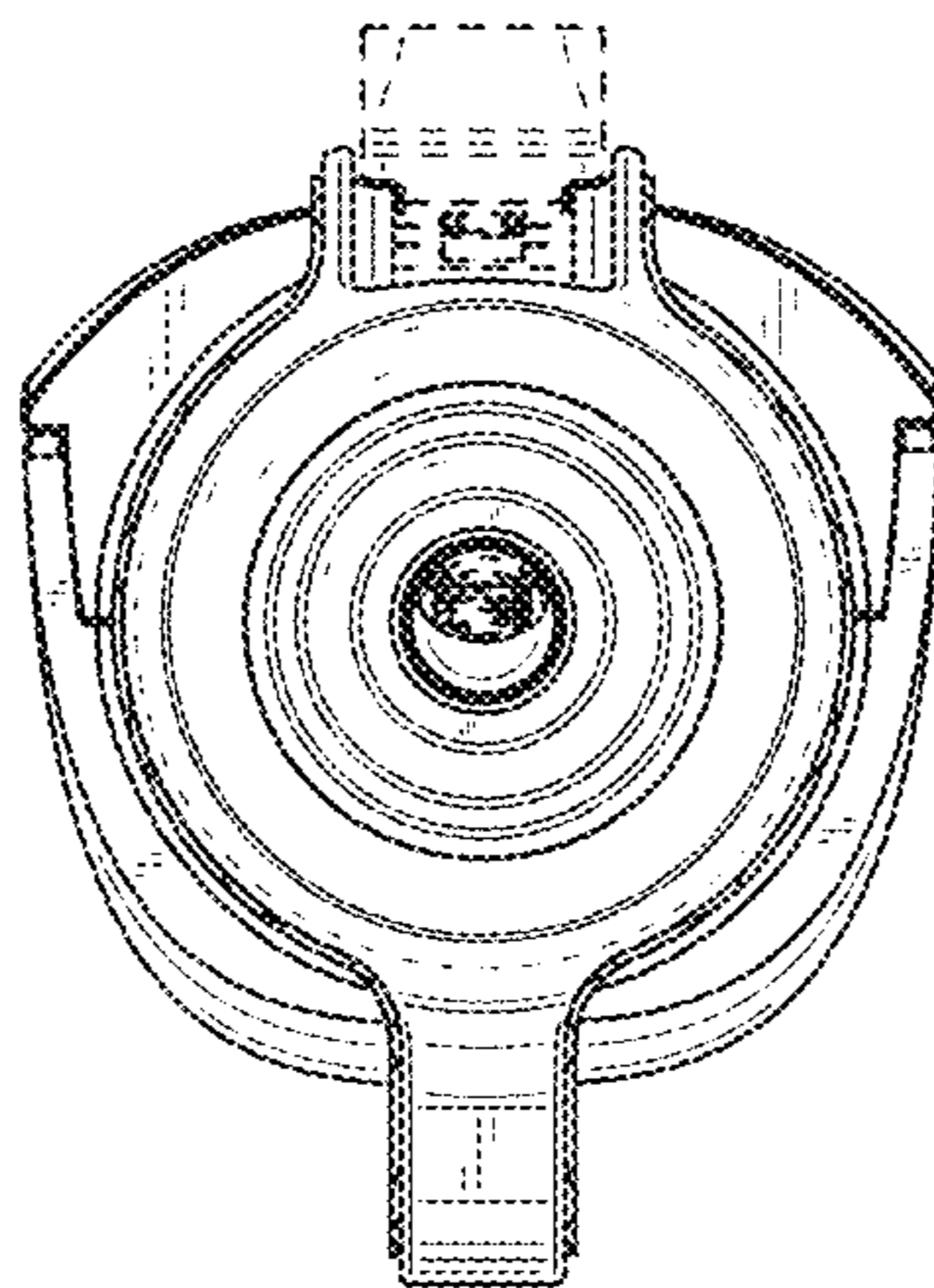


FIG. 7