



US00D753295S

(12) **United States Design Patent**
Vivenzio et al.

(10) **Patent No.:** **US D753,295 S**

(45) **Date of Patent:** **** Apr. 5, 2016**

(54) **ILLUMINATOR FOR A MEDICAL DEVICE
OR THE LIKE**

6,379,296 B1 4/2002 Baggett
D457,670 S 5/2002 Allen
D482,469 S 11/2003 Guerrieri

(Continued)

(71) Applicant: **Welch Allyn, Inc.**, Skaneateles Falls, NY
(US)

OTHER PUBLICATIONS

(72) Inventors: **Robert L. Vivenzio**, Skaneateles Falls,
NY (US); **Raymond A. Lia**, Skaneateles
Falls, NY (US); **Michael T. McMahon**,
Skaneateles Falls, NY (US)

Design U.S. Appl. No. 29/434,856, filed Oct. 17, 2012; In re:
Vivenzio et al., entitled *Illuminator for a Medical Device or the Like*.

(Continued)

(73) Assignee: **WELCH ALLYN, INC.**, Skaneateles
Falls, NY (US)

Primary Examiner — Garth Rademaker
Assistant Examiner — Samantha Q Lawrence

(**) Term: **14 Years**

(57) **CLAIM**

The ornamental design for an illuminator for a medical device
or the like, as shown and described.

(21) Appl. No.: **29/495,181**

DESCRIPTION

(22) Filed: **Jun. 27, 2014**

(51) **LOC (10) Cl.** **24-02**

(52) **U.S. Cl.**
USPC **D24/135**

(58) **Field of Classification Search**
USPC D24/133, 135, 137, 138, 152, 209, 210;
D26/37, 38, 39, 40, 45, 46, 51;
362/184, 572; 600/205, 220, 223

See application file for complete search history.

FIG. 1 is a perspective view of an illuminator for a medical
device or the like showing our new design;
FIG. 2 is a front elevation view thereof;
FIG. 3 is a rear elevation view thereof;
FIG. 4 is a left side elevation view thereof;
FIG. 5 is a right side elevation view thereof;
FIG. 6 is a top plan view thereof;
FIG. 7 is a bottom plan view thereof;
FIG. 8 is another perspective view thereof, shown in a posi-
tion of use with a medical device;
FIG. 9 is another side view thereof, shown in a position of use
with a medical device;
FIG. 10 is a partial exploded perspective view thereof;
FIG. 11 is an exploded perspective view thereof; and,
FIG. 12 is another perspective view thereof.

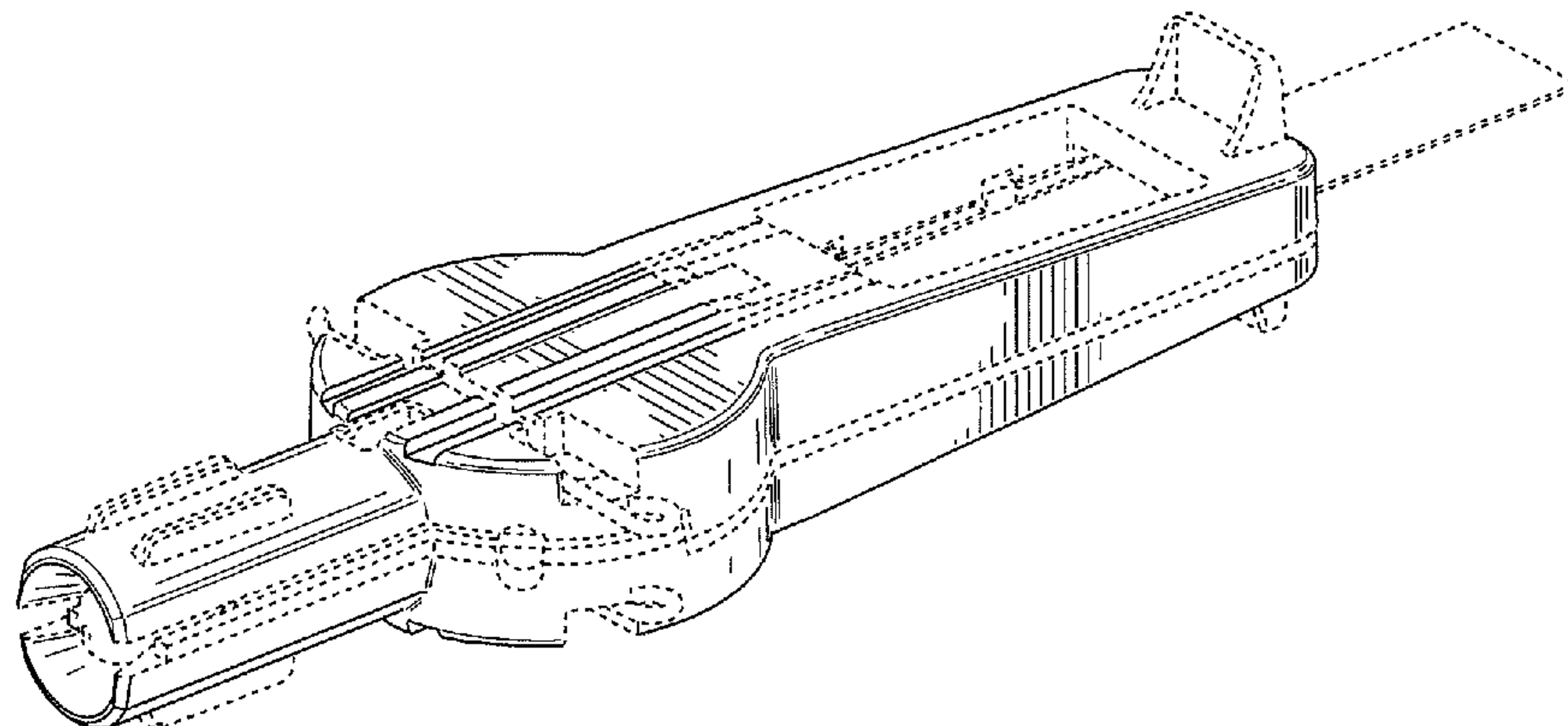
The broken lines immediately adjacent to the shaded areas
represent bounds of the illuminator for a medical device or the
like and form no part of the claimed design. The additional
broken lines show unclaimed portions of the illuminator for a
medical device or the like and the broken lines shown in
FIGS. 8 and 9 that are not shown in other figures illustrate an
environment of use that form no part of the claimed design.

(56) **References Cited**

U.S. PATENT DOCUMENTS

3,789,835	A	2/1974	Whitman	
4,067,323	A	1/1978	Troutner et al.	
D343,453	S	* 1/1994	Noda	D24/133
D367,087	S	2/1996	Mathews	
D375,372	S	11/1996	Allen	
6,004,265	A	12/1999	Hsu et al.	
D425,226	S	5/2000	Galli	
D445,928	S	7/2001	Sharrah et al.	
D446,324	S	8/2001	Lynch et al.	
D446,325	S	8/2001	Guerrieri	

1 Claim, 23 Drawing Sheets



(56)

References Cited

U.S. PATENT DOCUMENTS

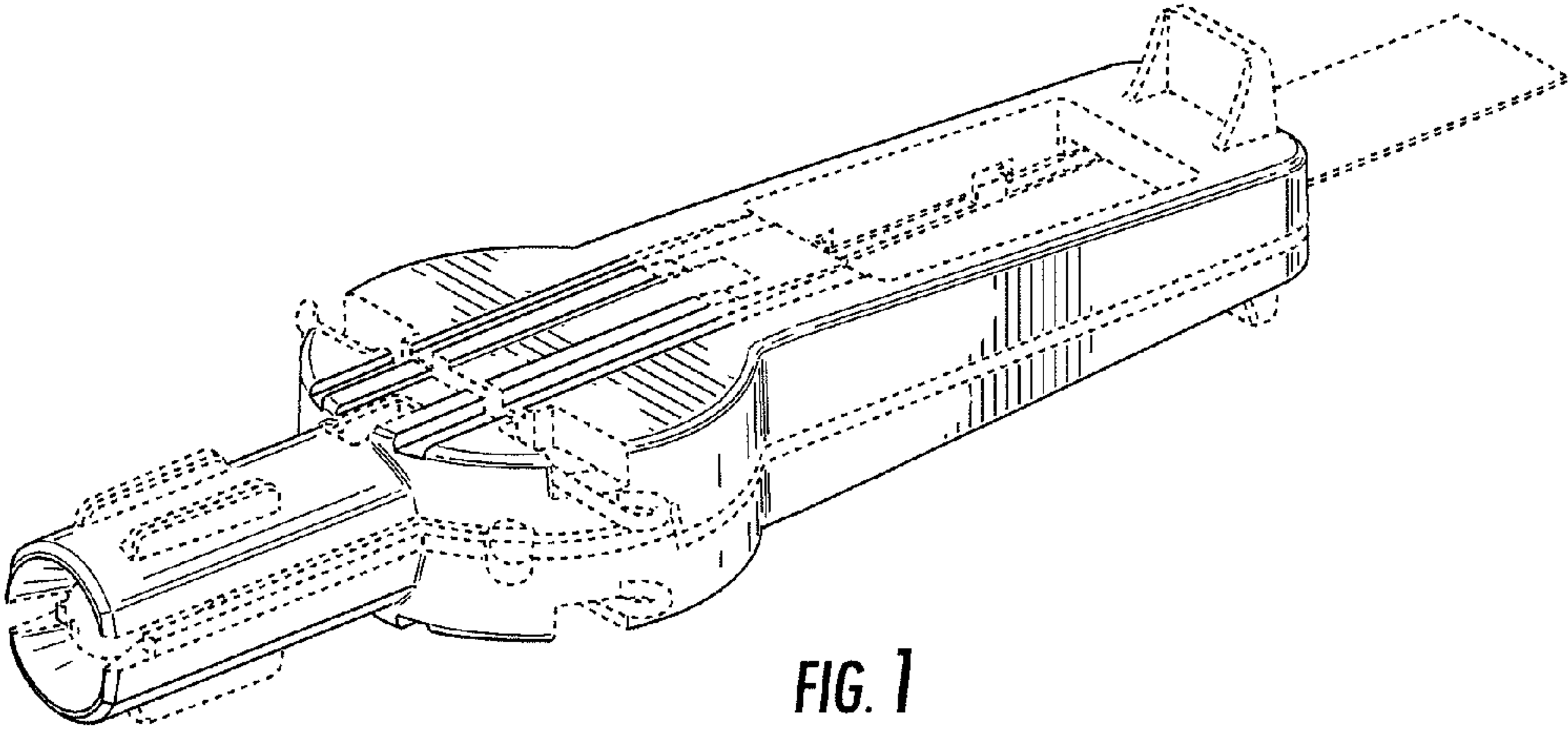
D492,050 S 6/2004 Chung
 D498,553 S 11/2004 Lee
 D498,864 S 11/2004 Lee
 D501,266 S 1/2005 Harris, Jr. et al.
 D507,368 S 7/2005 Waters
 D507,369 S 7/2005 Waters
 D507,671 S 7/2005 Rice
 D513,084 S * 12/2005 Parker et al. D26/37
 7,029,439 B2 4/2006 Roberts et al.
 D565,216 S 3/2008 Markell
 D576,323 S 9/2008 Cienfuegos
 D577,143 S 9/2008 Lu
 D581,566 S * 11/2008 Slawson et al. D26/38
 D593,693 S 6/2009 Adamany et al.
 D594,148 S 6/2009 Heselden
 D598,593 S 8/2009 Kingston et al.
 D627,092 S 11/2010 Puglisi
 7,841,751 B2 11/2010 Mulani
 7,909,759 B2 3/2011 Pecherer
 D642,310 S 7/2011 Idelson
 D656,644 S 3/2012 Lee
 8,142,352 B2 * 3/2012 Vivenzio et al. 600/199
 8,152,330 B2 4/2012 Waters
 8,157,728 B2 4/2012 Danna et al.
 D659,845 S * 5/2012 Lytle D24/209
 D676,992 S 2/2013 Trude
 8,409,082 B2 4/2013 Irion et al.
 D683,489 S 5/2013 Lee
 D690,043 S 9/2013 Sun
 RE44,806 E 3/2014 Roberts et al.
 8,740,780 B2 6/2014 Honda et al.
 D710,500 S * 8/2014 Roeloffs D24/135
 8,808,175 B2 * 8/2014 Deitch et al. 600/220
 D712,561 S * 9/2014 Hagenauer D24/210
 9,173,648 B2 11/2015 Vayser et al.
 2006/0007669 A1 1/2006 Blackburn
 2006/0029901 A1 2/2006 Rose et al.

2008/0045801 A1 2/2008 Shalman et al.
 2008/0228038 A1 * 9/2008 McMahon et al. 600/223
 2009/0076334 A1 * 3/2009 Chen 600/223
 2009/0312610 A1 * 12/2009 Buchok et al. 600/205
 2012/0108907 A1 * 5/2012 Fitipaldi et al. 600/223
 2014/0293590 A1 * 10/2014 Pathy 362/119

OTHER PUBLICATIONS

Design U.S. Appl. No. 29/434,858, filed Oct. 17, 2012; In re: Vivenzio et al., entitled *Illuminator for a Medical Device or the Like*. U.S. Appl. No. 13/839,205, filed Mar. 15, 2013; In re: Vivenzio et al., entitled *Illumination Device, System, and Method of Use*. Disposable Vaginal Speculum With Cordless LED Source, MedGyn Products, Inc. [online] [retrieved May 1, 2014]. Retrieved from the Internet: <URL: <http://medgyn.com/?wpsc-product=disposable-speculum-cordless-led>>. (dated 2014) 2 pages. ER-SPEC Single-use Vaginal Specula with Built-In LED-Use Light Source, OBP Medical Inc.. [online] [retrieved May 1, 2014]. Retrieved from the Internet: <URL: <https://obpmedical.com/product/er-spec/>>. (dated 2014) 3 pages. ER-SPEC® Single-Use Vaginal Speculum with Built-In Light Source, OBP Medical Inc. (brochure) (dated Apr. 16, 2014) 2 pages. ER-SPEC, Tired of Search for a Light Source?, OBP Medical Inc. (Rep Brochure) (Feb. 2012 revision) 2 pages. ER-SPEC Presentation, OBP Medical (dated Apr. 16, 2014), 12 pages. ER-SPEC® User Manual, OBP Medical (dated Jun. 27, 2013), 10 pages. Office Action from U.S. Appl. No. 13/839,205 dated Dec. 19, 2014. Notice of Allowance from U.S. Appl. No. 29/434,856 dated Jun. 17, 2015. Office Action from U.S. Appl. No. 13/839,205 dated Jul. 1, 2015. Office Action from U.S. Appl. No. 29/434,858 dated Jul. 24, 2015. Notice of Allowance from U.S. Appl. No. 13/839,205 dated Dec. 16, 2015. Office Action from U.S. Appl. No. 29/434,858 dated Dec. 4, 2015.

* cited by examiner



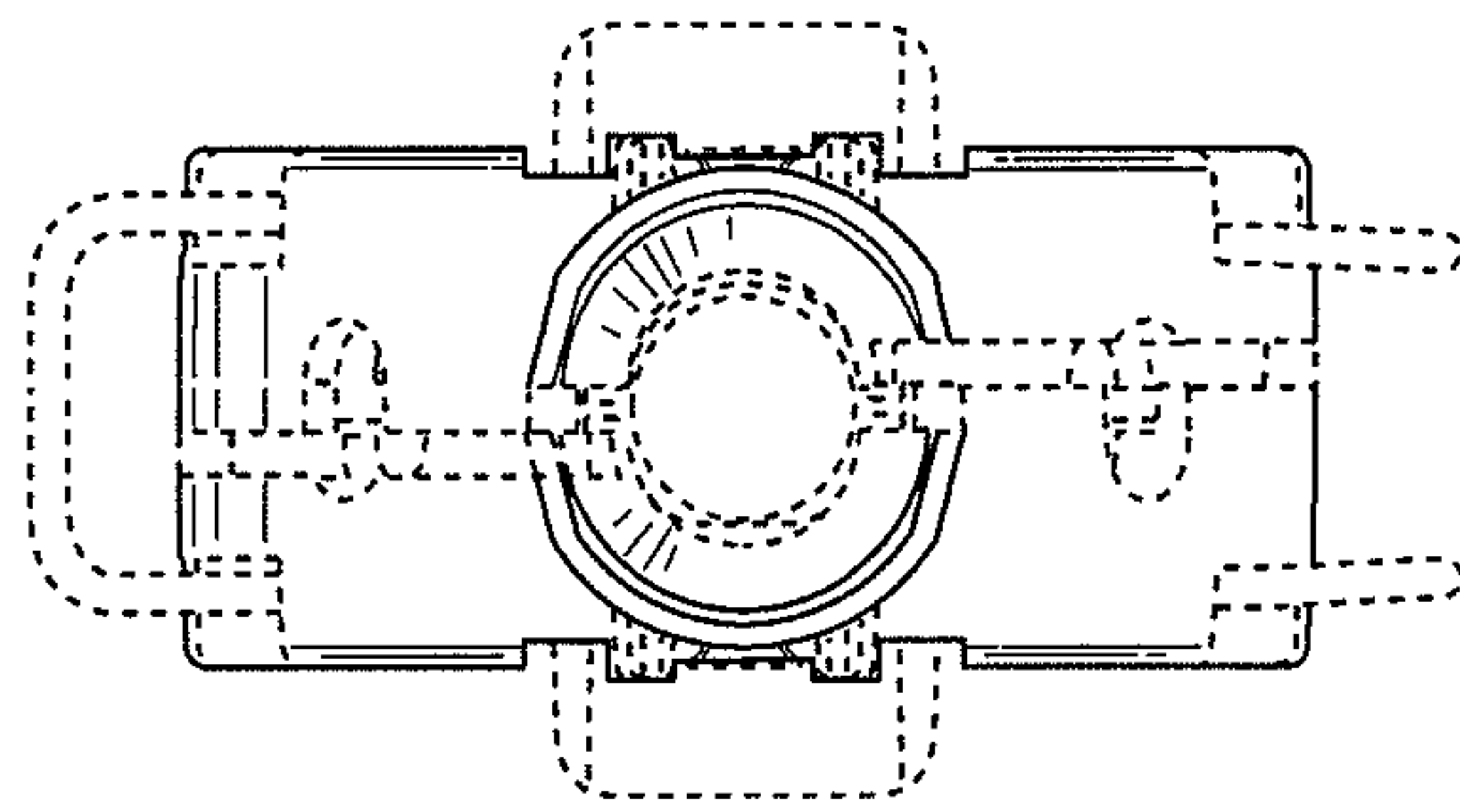


FIG. 2

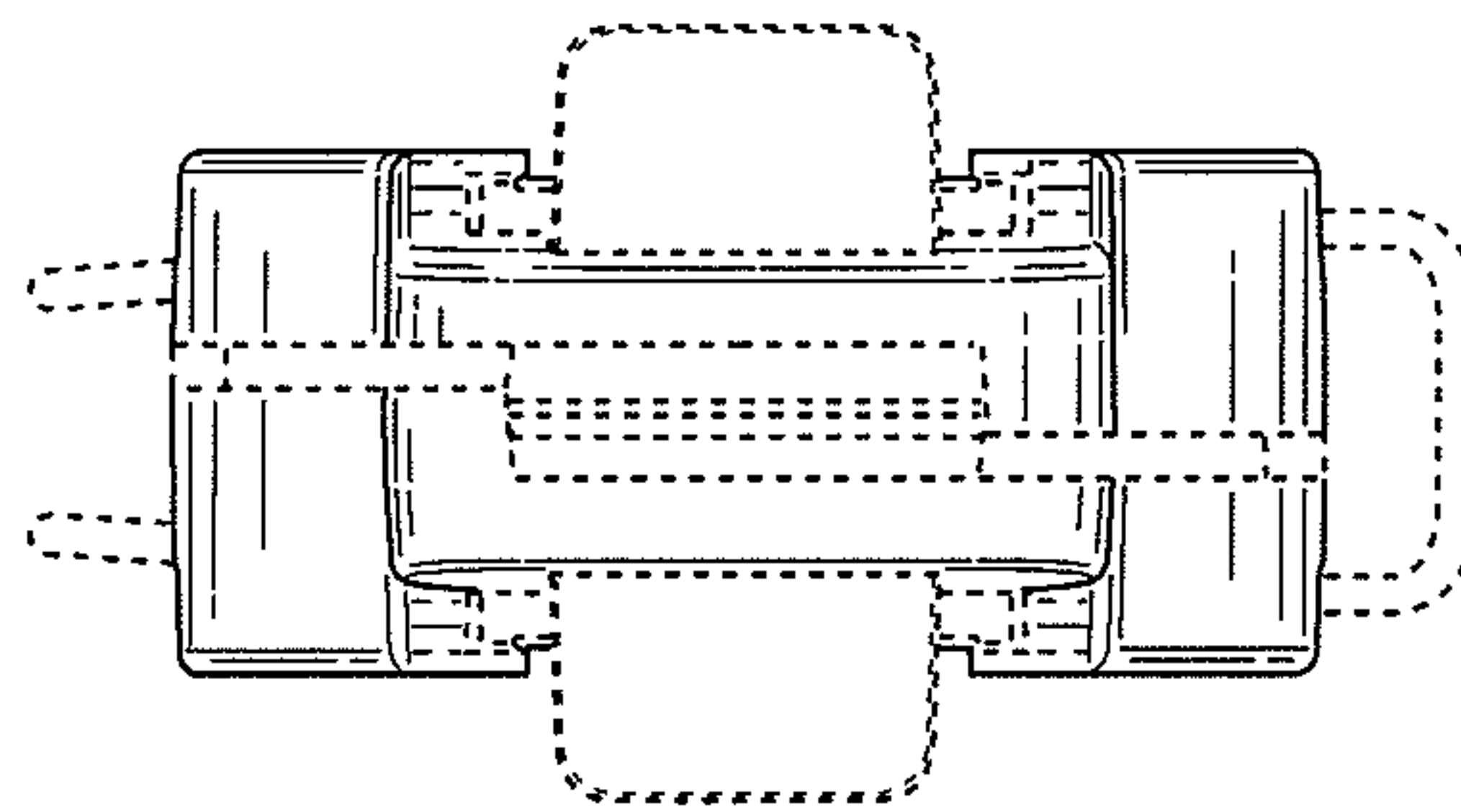


FIG. 3

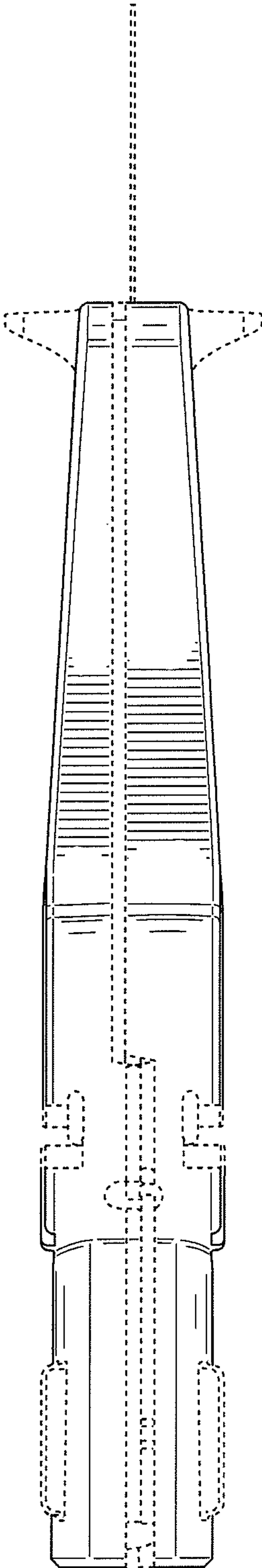


FIG. 4

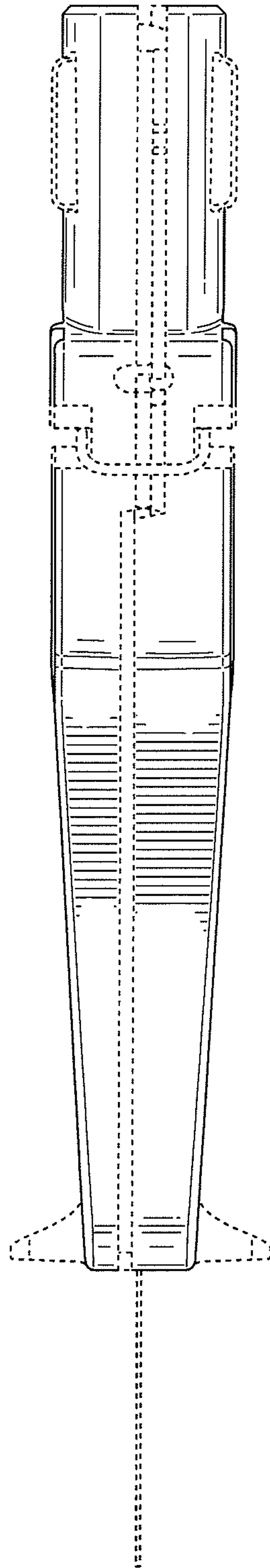


FIG. 5

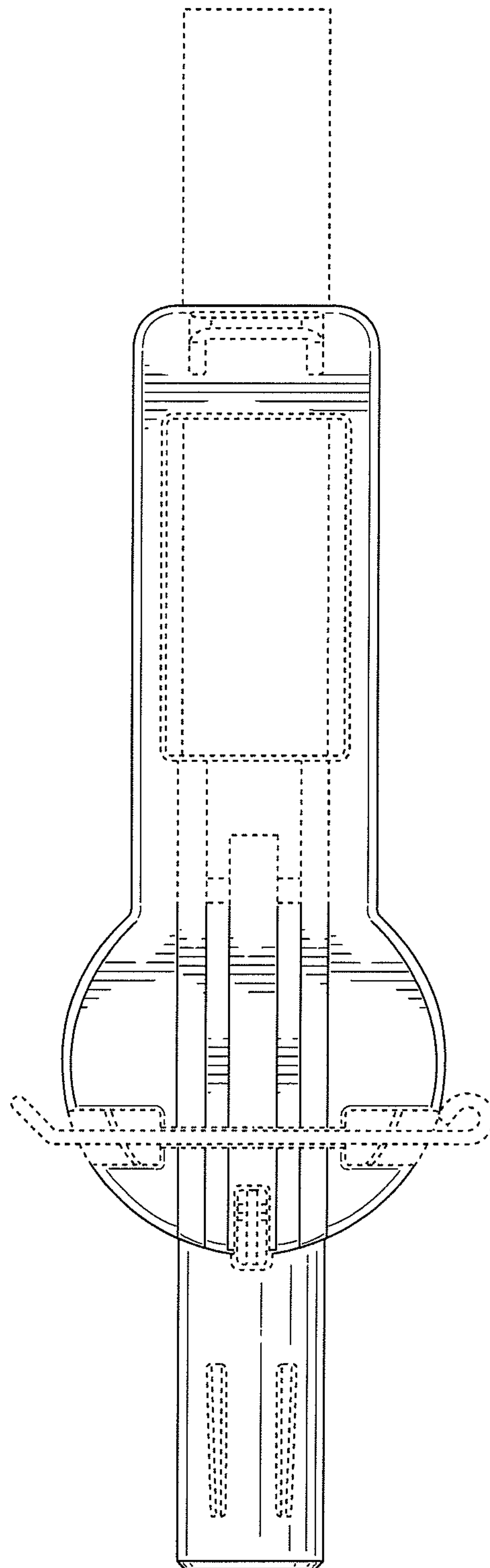


FIG. 6

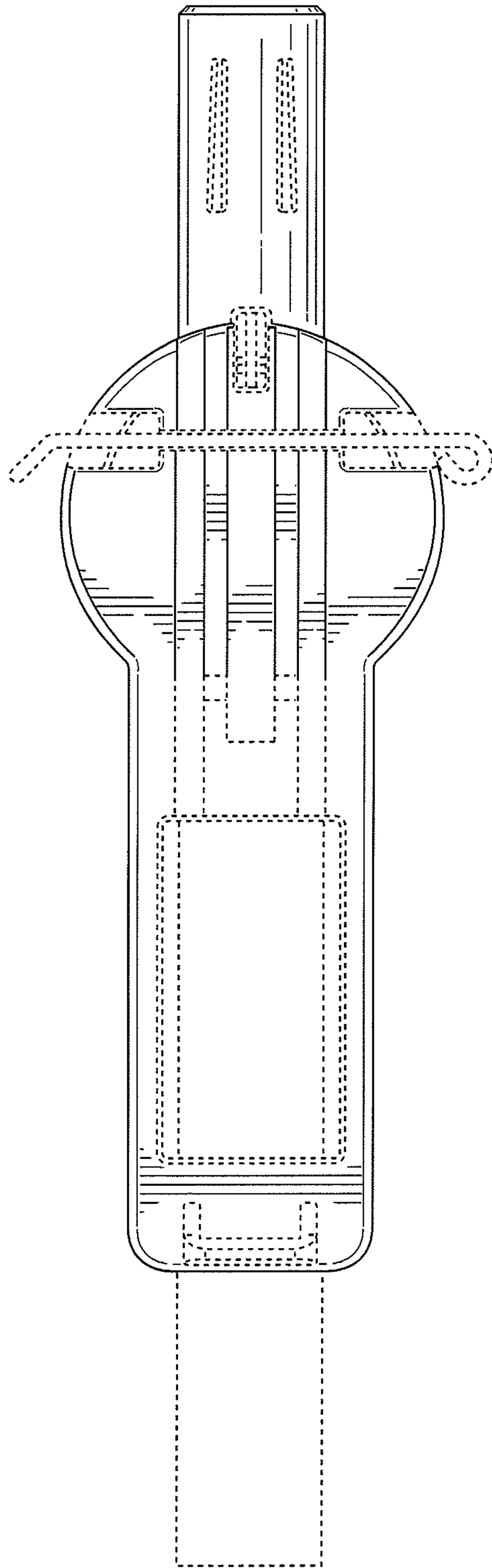


FIG. 7

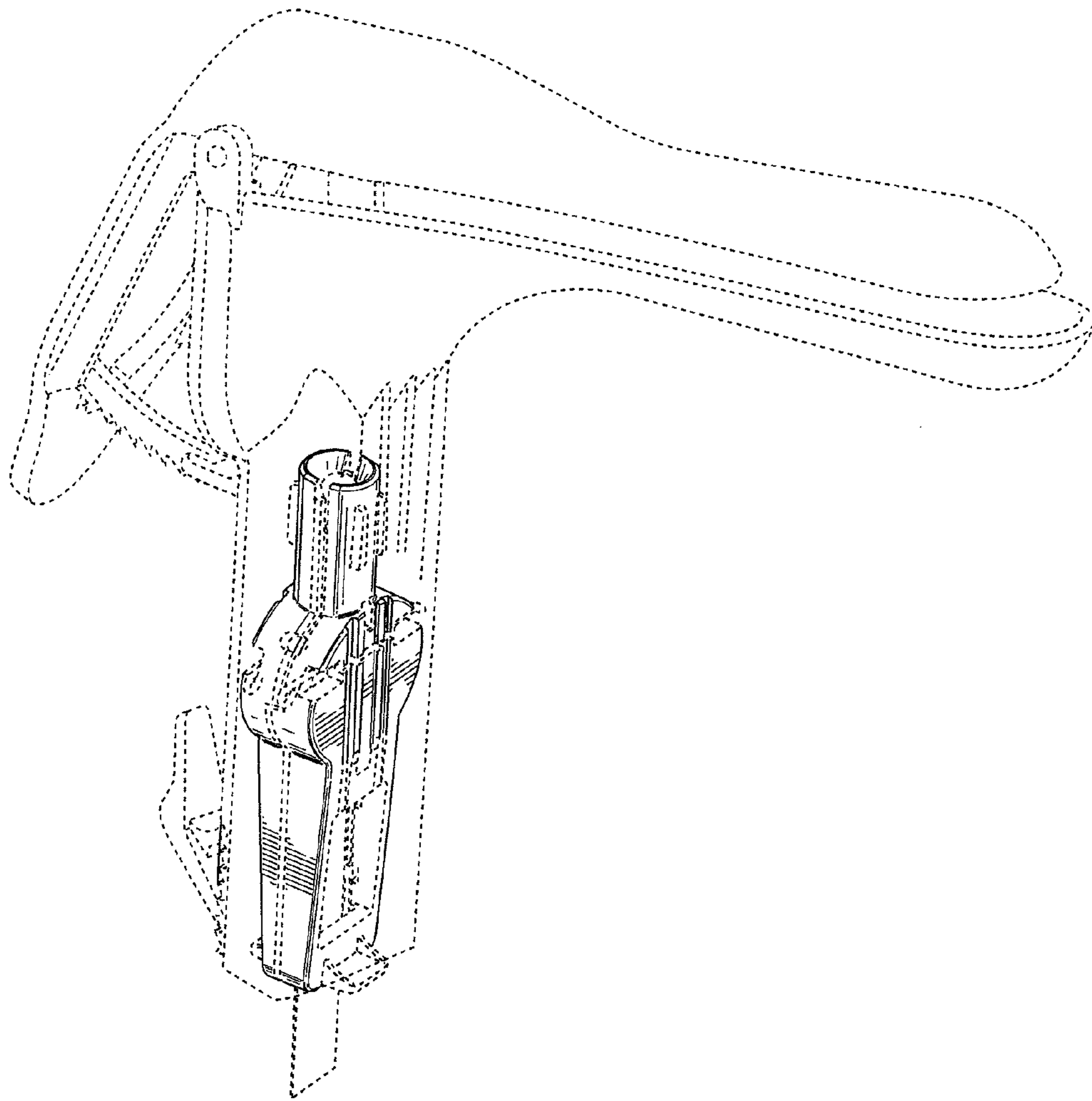
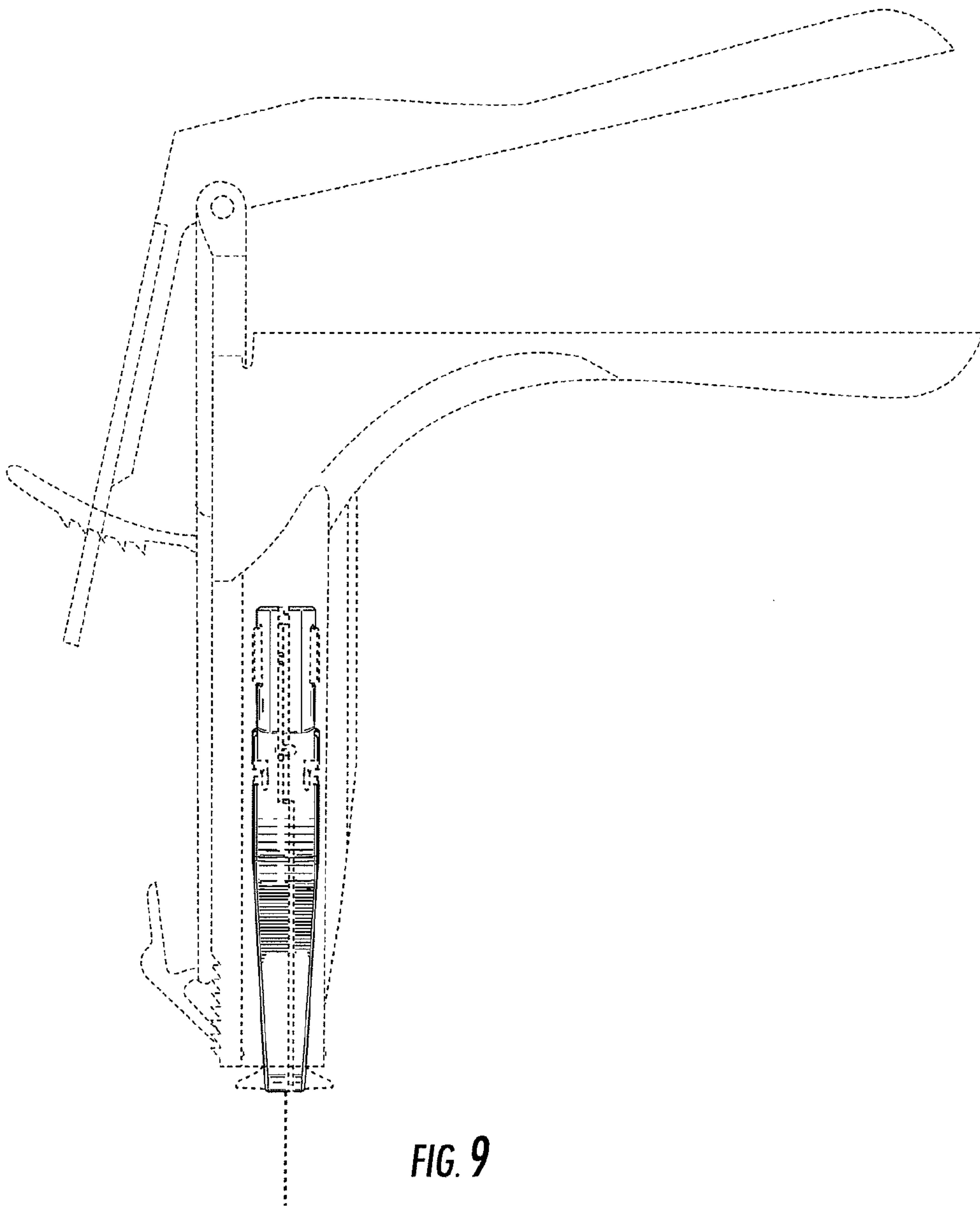


FIG. 8



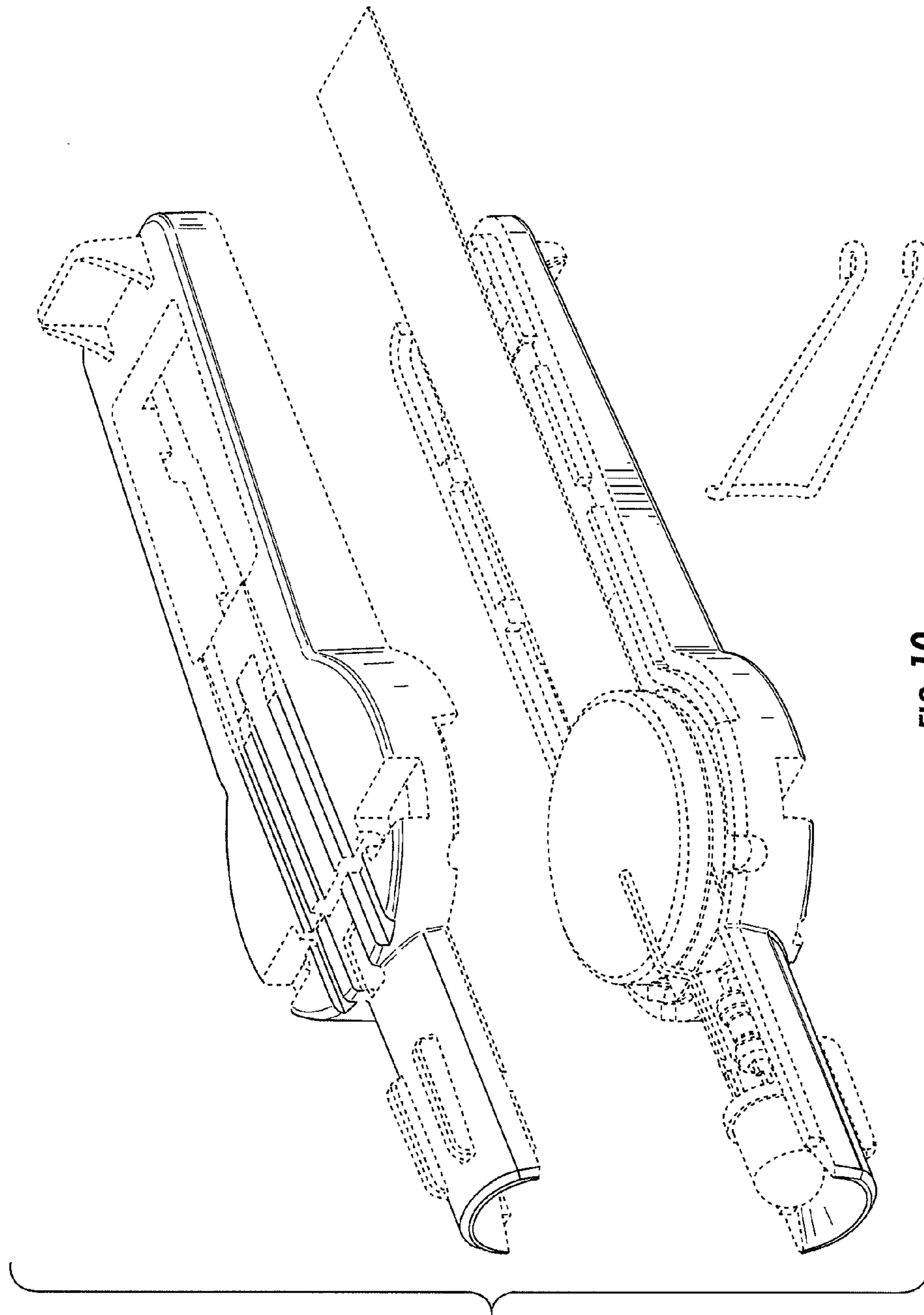


FIG. 10

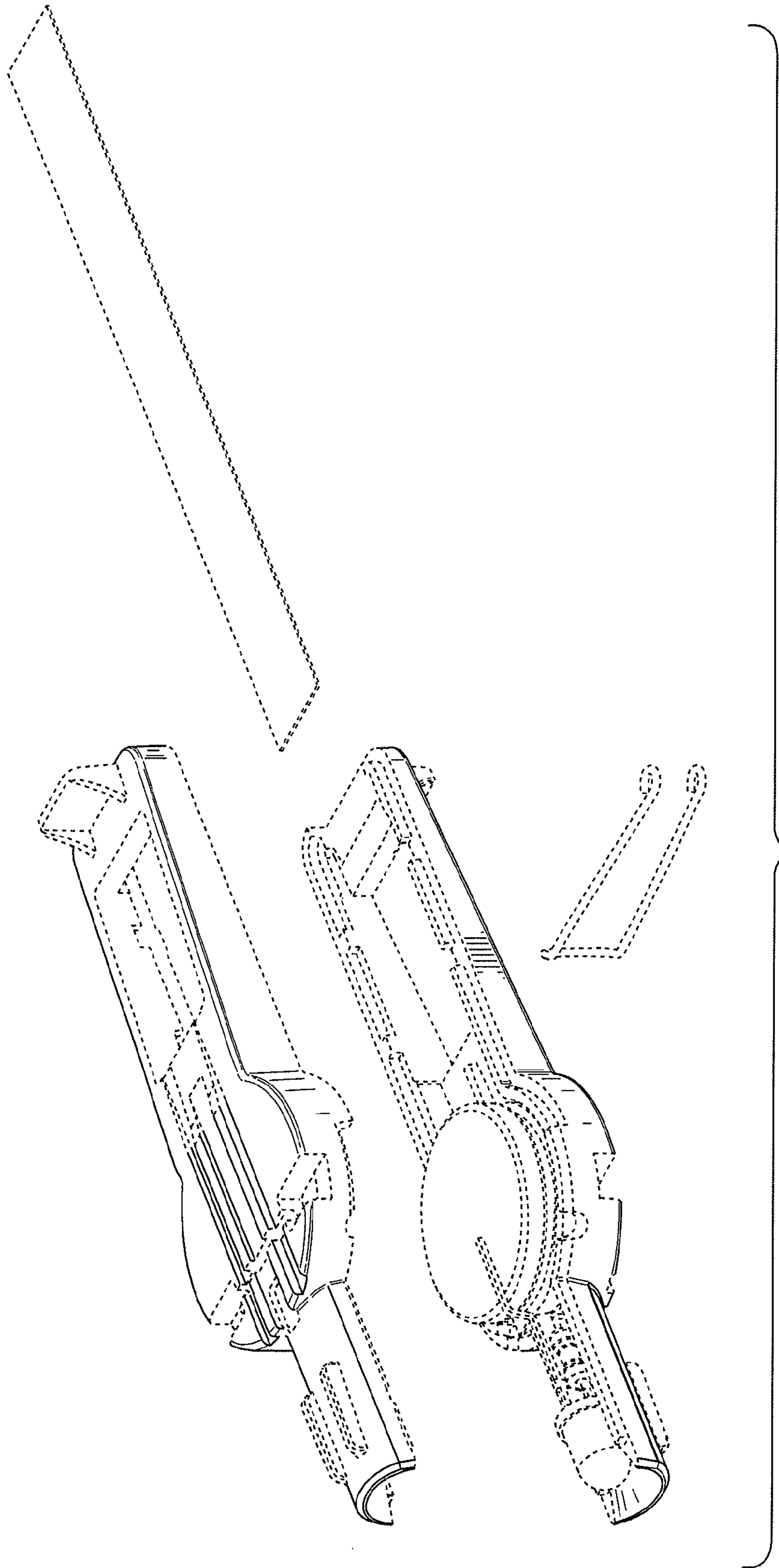


FIG. 11

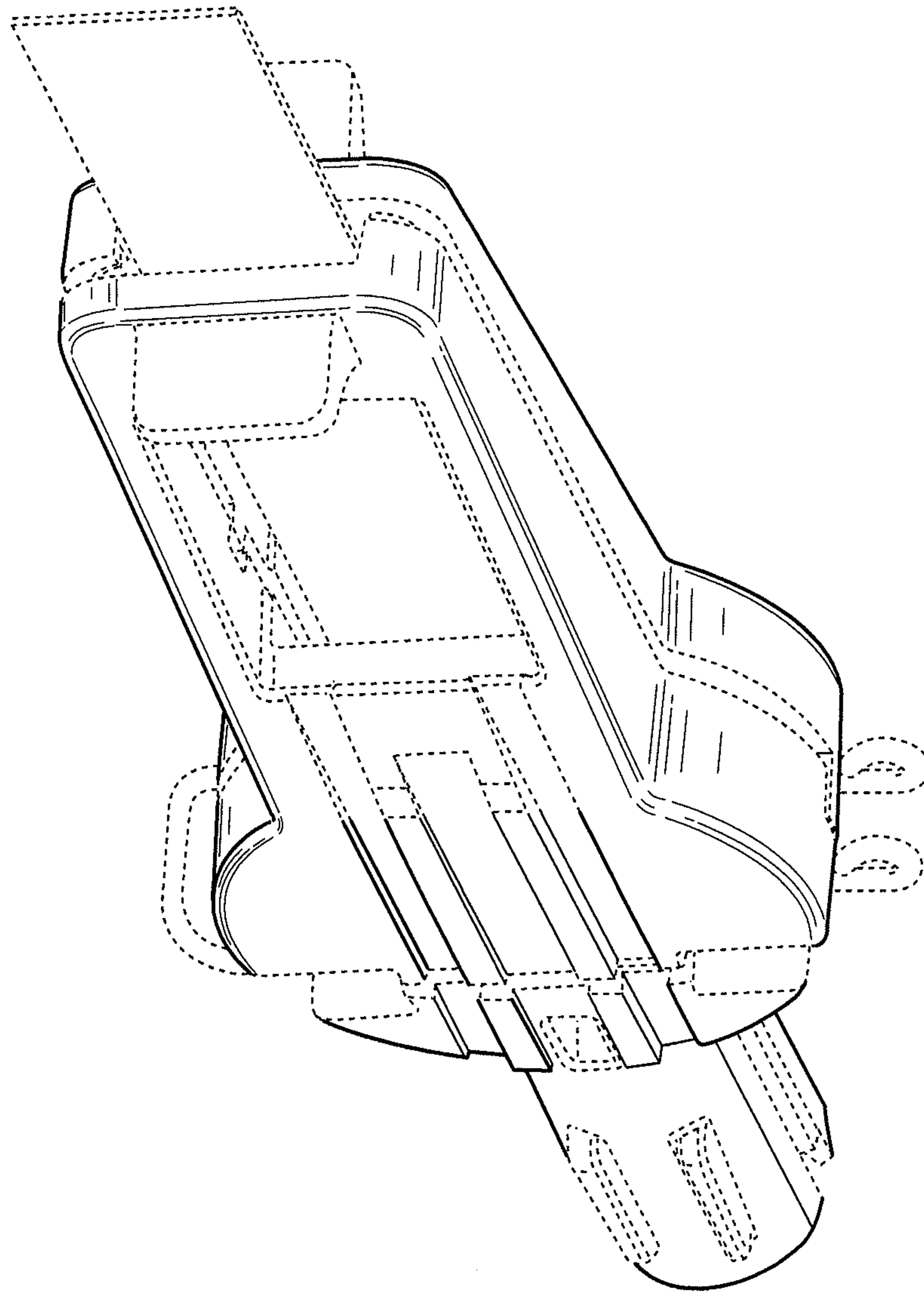


FIG. 12

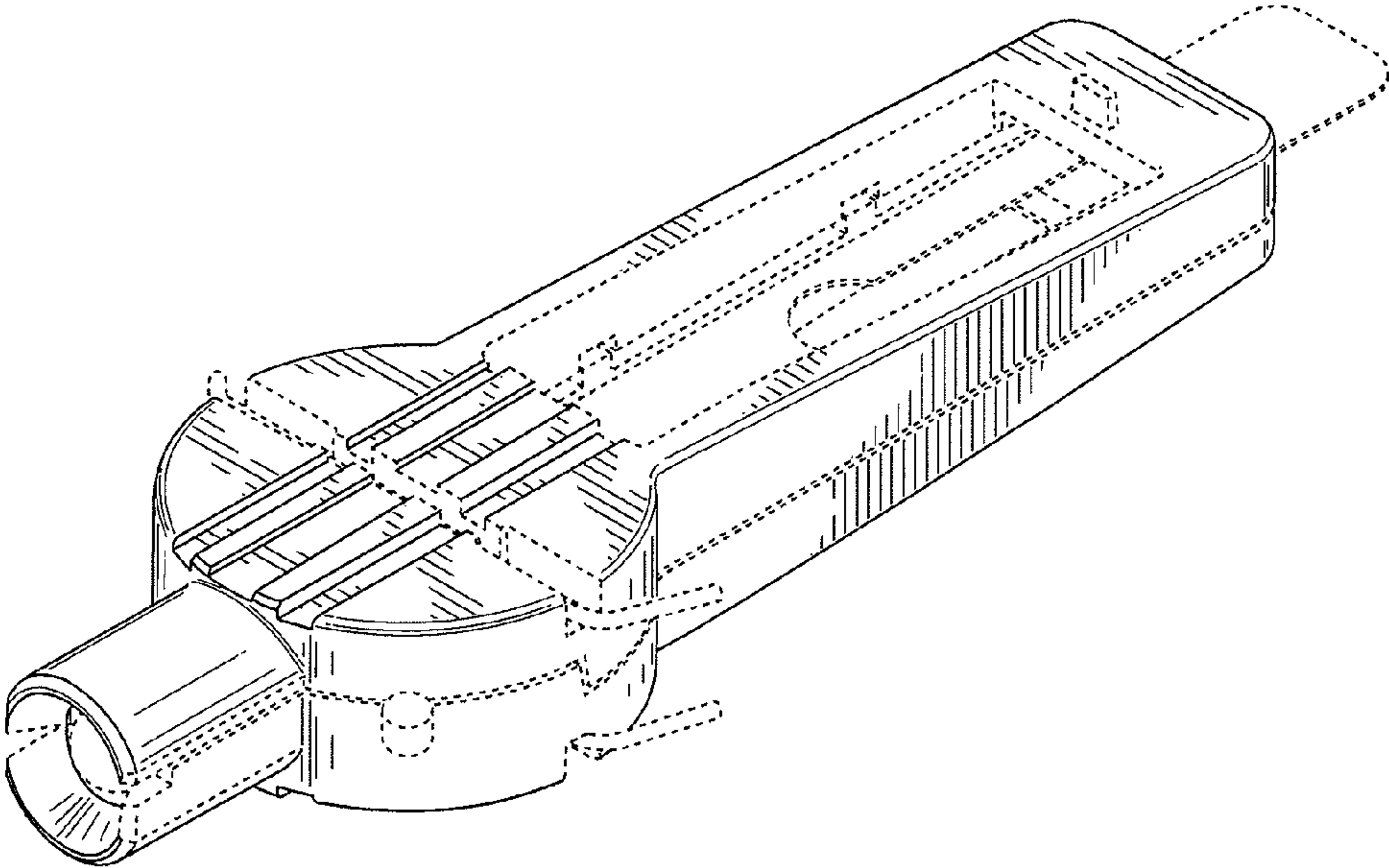


FIG. 13

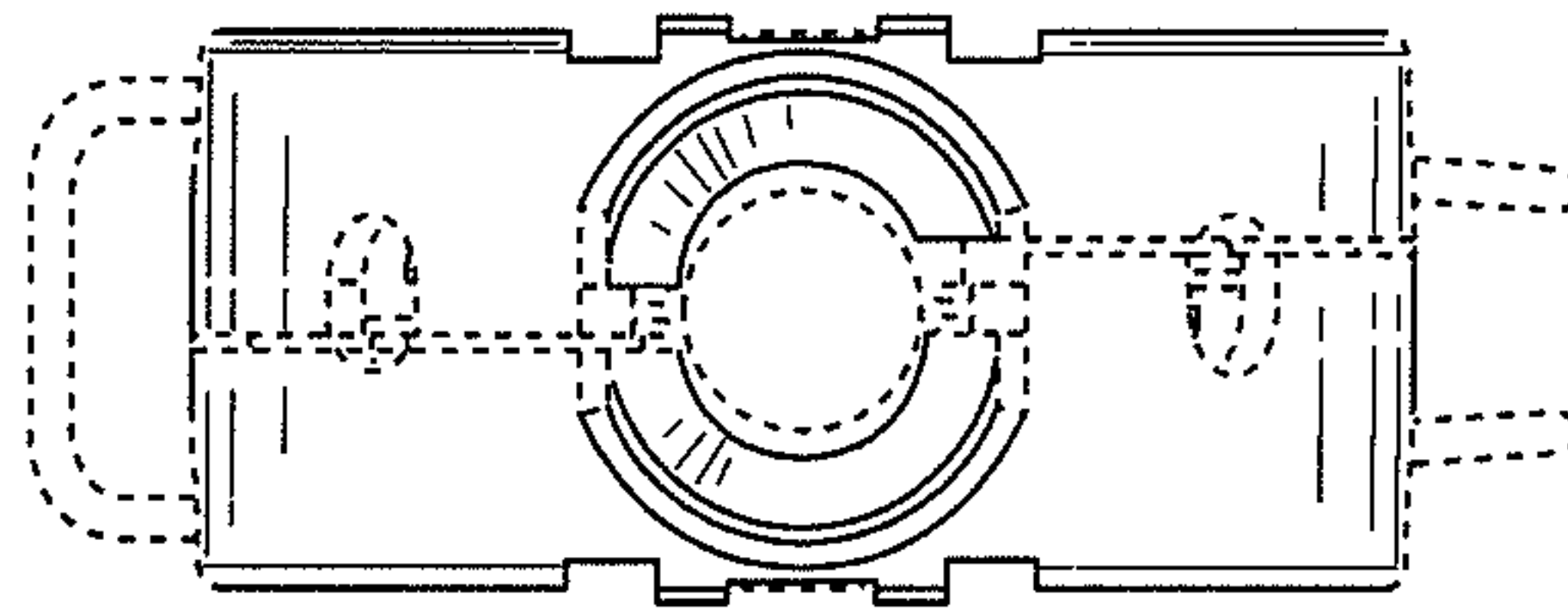


FIG. 14

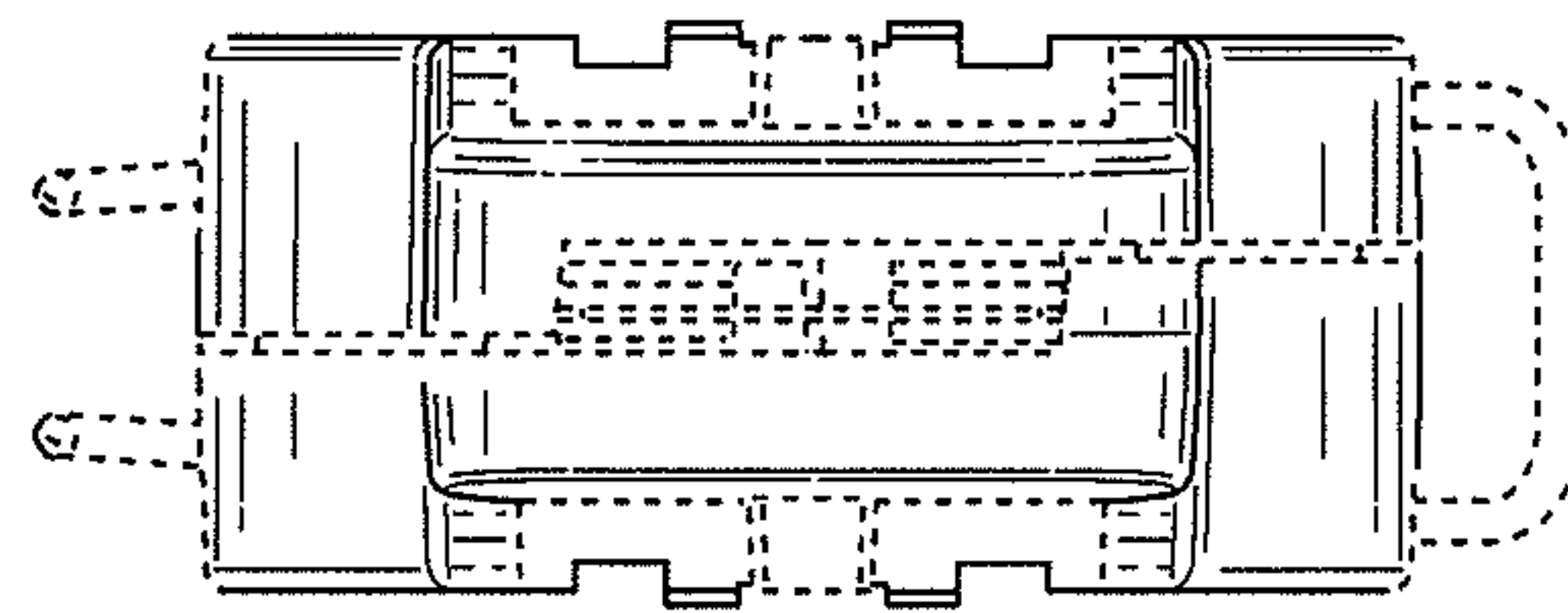


FIG. 15

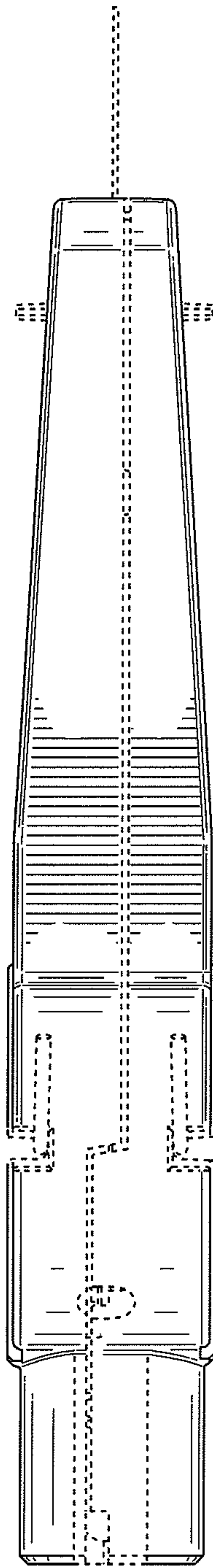


FIG. 16

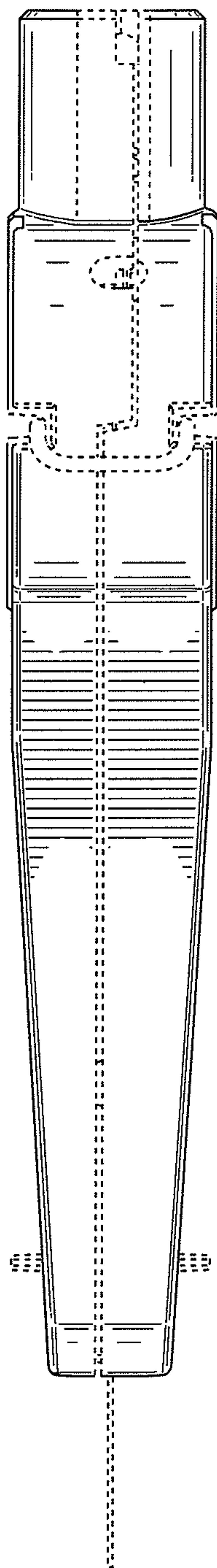


FIG. 17

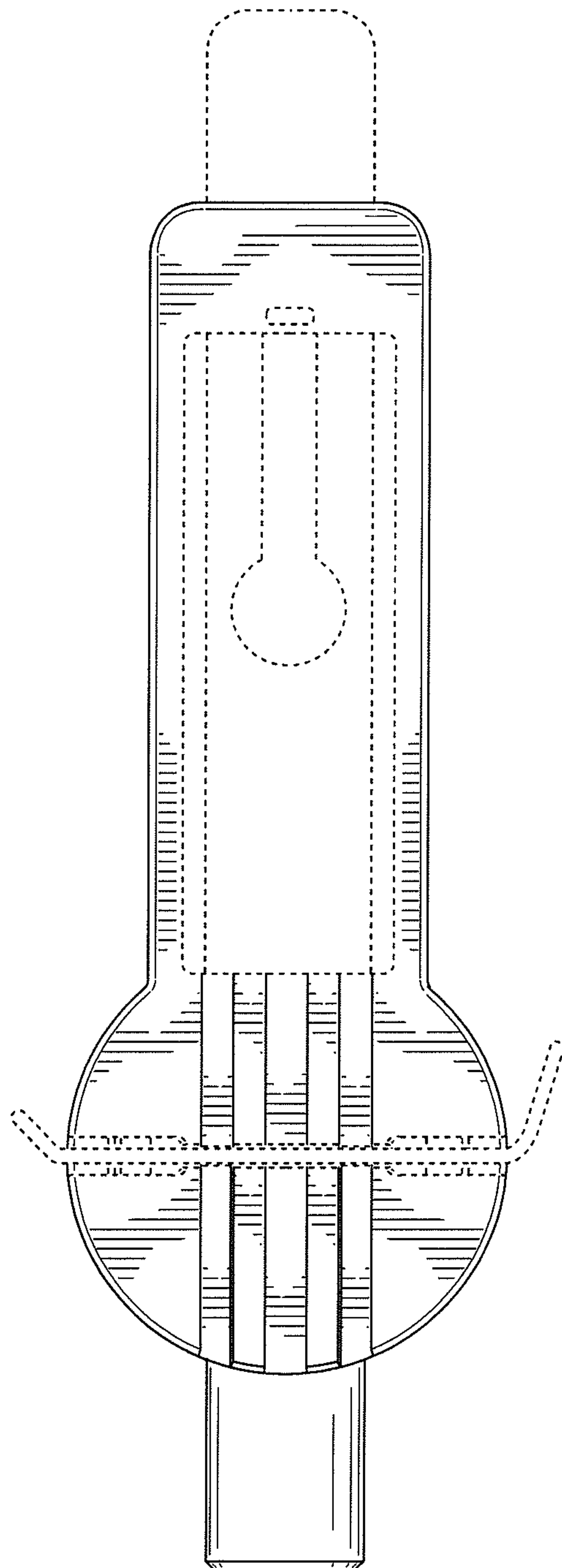


FIG. 18

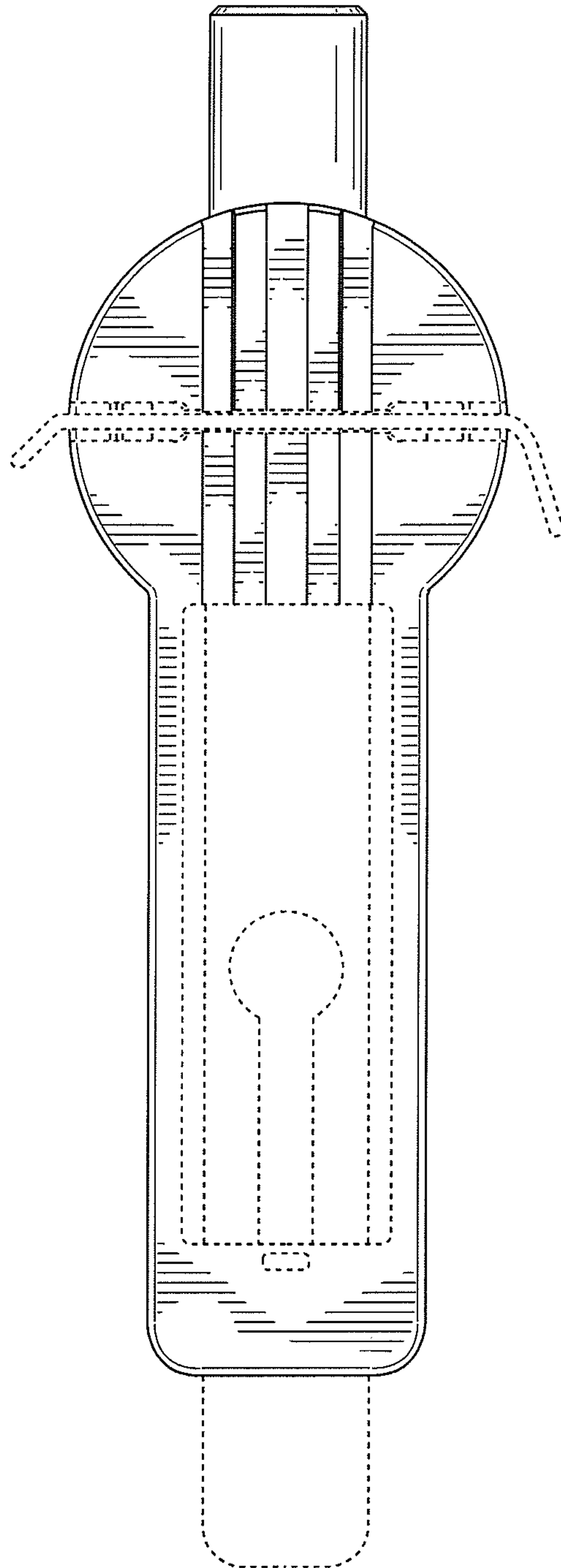


FIG. 19

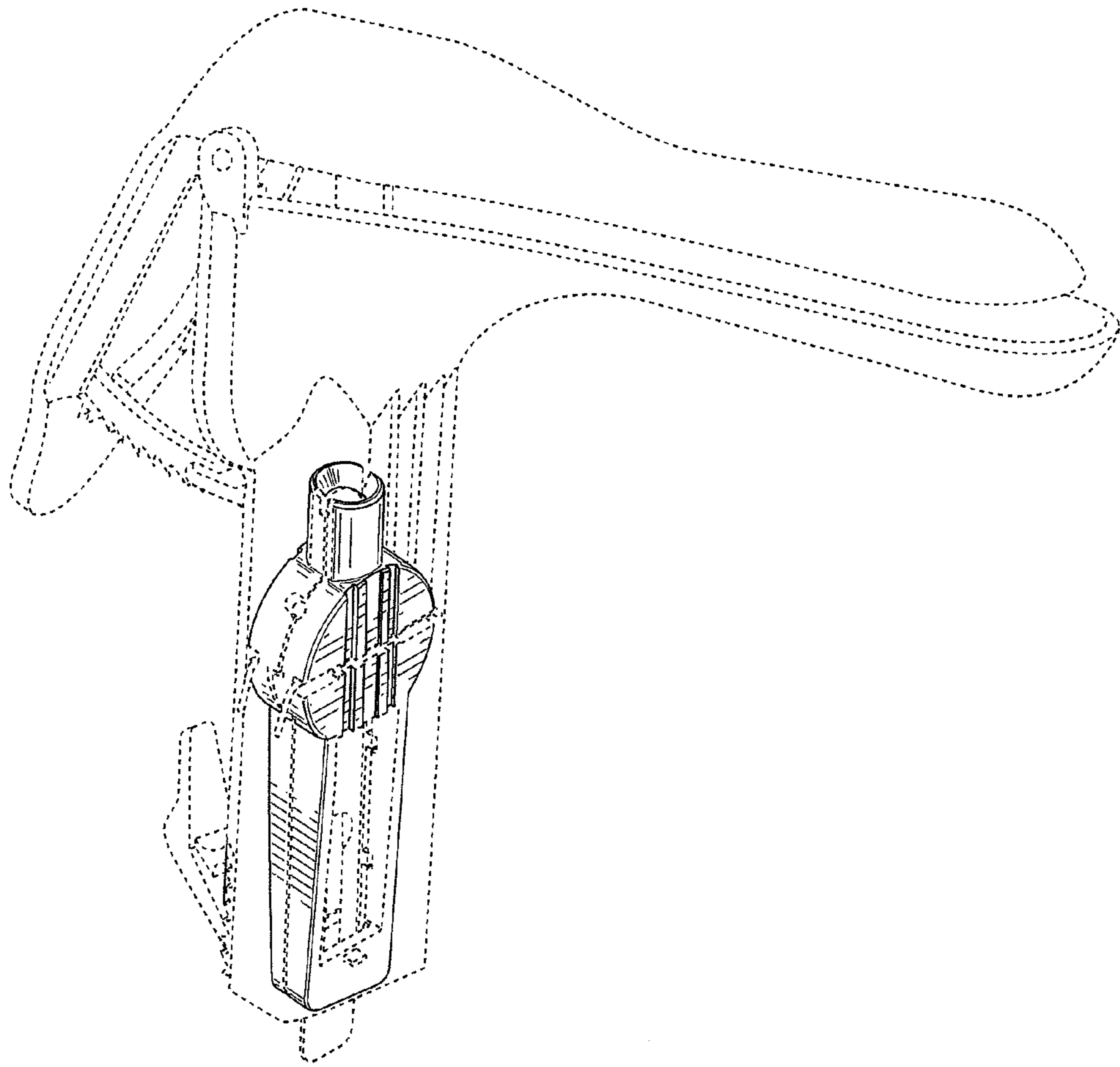


FIG. 20

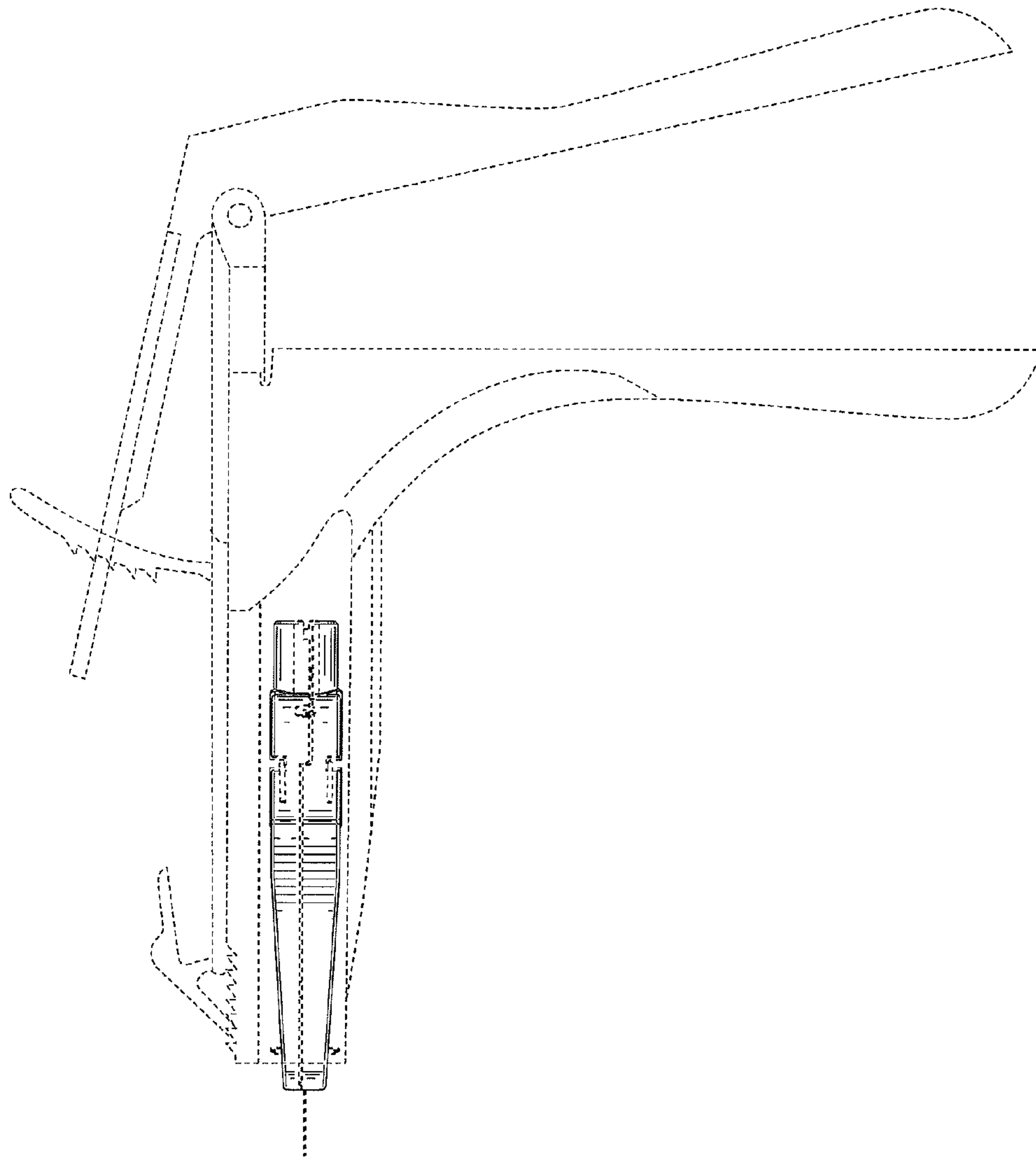


FIG. 21

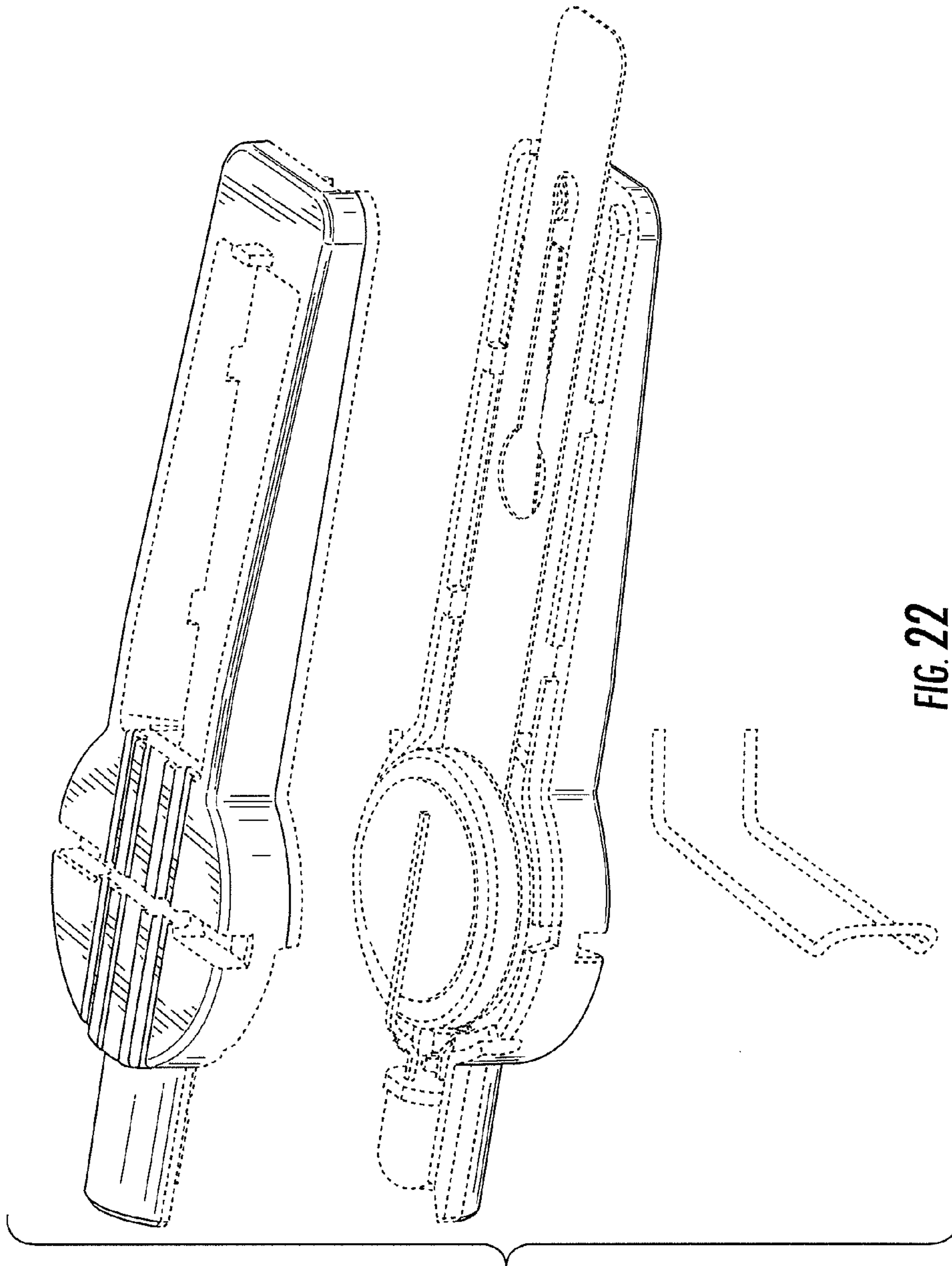


FIG. 22

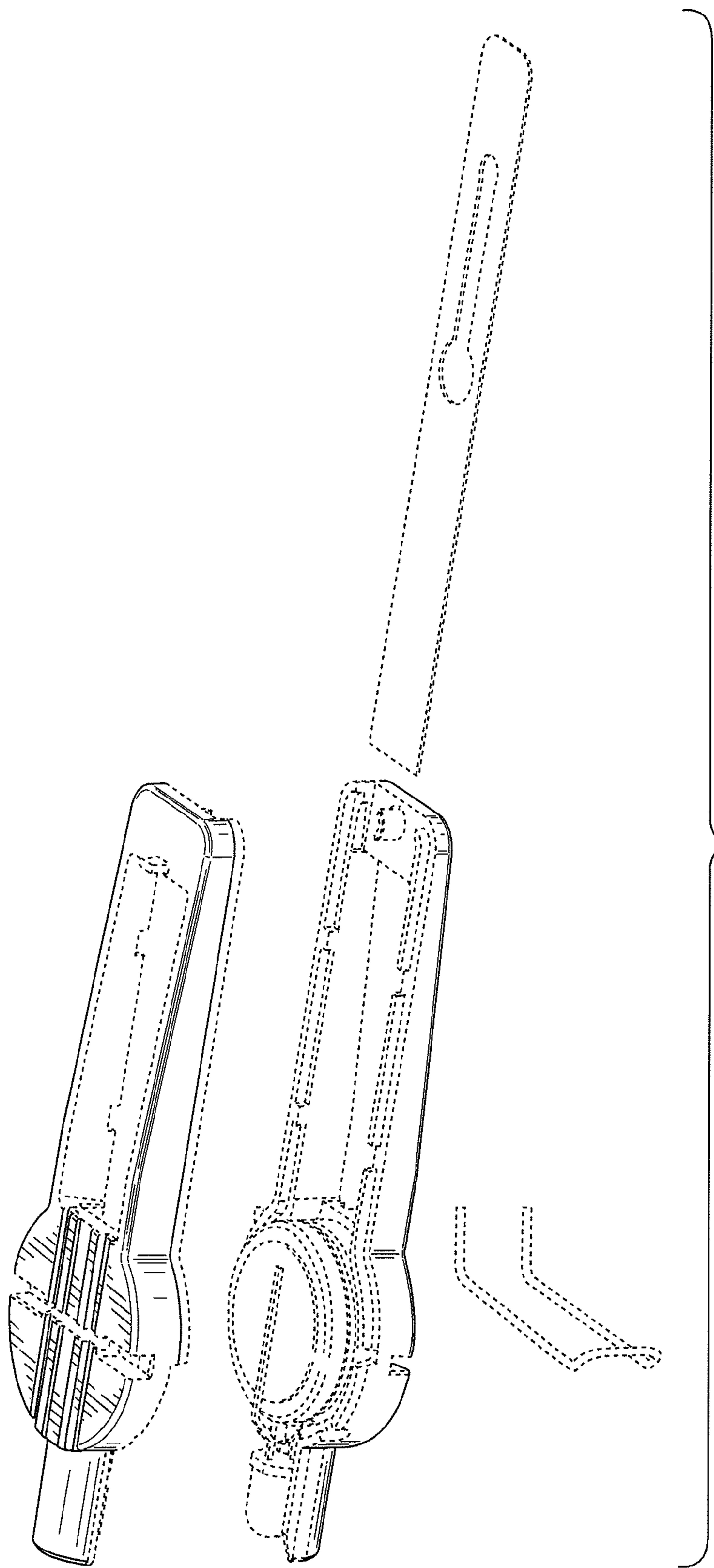


FIG. 23

UNITED STATES PATENT AND TRADEMARK OFFICE
CERTIFICATE OF CORRECTION

PATENT NO. : D753,295 S
APPLICATION NO. : 29/495181
DATED : April 5, 2016
INVENTOR(S) : Vivenzio et al.

Page 1 of 2

It is certified that error appears in the above-identified patent and that said Letters Patent is hereby corrected as shown below:

Delete the title page and substitute the attached title page therefor.

In the Drawings:

Delete Drawing Sheets 13-23.

Signed and Sealed this
Sixth Day of December, 2016



Michelle K. Lee
Director of the United States Patent and Trademark Office

(12) **United States Design Patent**
Vivenzio et al.

(10) **Patent No.:** **US D753,295 S**
(45) **Date of Patent:** **** Apr. 5, 2016**

(54) **ILLUMINATOR FOR A MEDICAL DEVICE OR THE LIKE**

6,379,296 B1 4/2002 Baggett
D457,676 S 5/2002 Allen
D482,469 S 11/2003 Guerrieri

(71) Applicant: **Welch Allyn, Inc.**, Skaneateles Falls, NY (US)

(Continued)

OTHER PUBLICATIONS

(72) Inventors: **Robert L. Vivenzio**, Skaneateles Falls, NY (US); **Raymond A. Lia**, Skaneateles Falls, NY (US); **Michael T. McMahon**, Skaneateles Falls, NY (US)

Design U.S. Appl. No. 29/434,856, filed Oct. 17, 2012; in re: Vivenzio et al., entitled *Illuminator for a Medical Device or the Like*.

(Continued)

(73) Assignee: **WELCH ALLYN, INC.**, Skaneateles Falls, NY (US)

Primary Examiner — Garth Rademaker
Assistant Examiner — Samantha Q Lawrence

(**) Term: **14 Years**

(57) **CLAIM**
The ornamental design for an illuminator for a medical device or the like, as shown and described.

(21) Appl. No.: **29/495,181**

DESCRIPTION

(22) Filed: **Jun. 27, 2014**

(51) **LOC (10) CL.** **24-02**

(52) **U.S. CL.** **D24/135**
USPC

(58) **Field of Classification Search**
USPC, D24/133, 135, 137, 138, 152, 209, 210;
D26/37, 38, 39, 40, 45, 46, 51;
362/184, 572; 600/205, 220, 223
See application file for complete search history.

FIG. 1 is a perspective view of an illuminator for a medical device or the like showing our new design;
FIG. 2 is a front elevation view thereof;
FIG. 3 is a rear elevation view thereof;
FIG. 4 is a left side elevation view thereof;
FIG. 5 is a right side elevation view thereof;
FIG. 6 is a top plan view thereof;
FIG. 7 is a bottom plan view thereof;
FIG. 8 is another perspective view thereof, shown in a position of use with a medical device;
FIG. 9 is another side view thereof, shown in a position of use with a medical device;
FIG. 10 is a partial exploded perspective view thereof;
FIG. 11 is an exploded perspective view thereof; and,
FIG. 12 is another perspective view thereof.
The broken lines immediately adjacent to the shaded areas represent bounds of the illuminator for a medical device or the like and form no part of the claimed design. The additional broken lines show unclaimed portions of the illuminator for a medical device or the like and the broken lines shown in FIGS. 8 and 9 that are not shown in other figures illustrate an environment of use that form no part of the claimed design.

(56) **References Cited**

U.S. PATENT DOCUMENTS

3,789,835	A	2/1974	Whitman	
4,067,323	A	1/1978	Troutner et al.	
D343,453	S *	1/1994	Noda	D24/133
D367,087	S	2/1996	Mathews	
D375,372	S	11/1996	Allen	
6,004,265	A	12/1999	Hsu et al.	
D425,226	S	5/2000	Galli	
D445,928	S	7/2001	Sbarrah et al.	
D446,324	S	8/2001	Lynch et al.	
D446,325	S	8/2001	Guerrieri	

1 Claim, 12 Drawing Sheets

