



US00D753293S

(12) **United States Design Patent**
Eckstein et al.

(10) **Patent No.:** **US D753,293 S**
(45) **Date of Patent:** **** Apr. 5, 2016**

(54) **PLUNGER**
(71) Applicant: **3M INNOVATIVE PROPERTIES COMPANY**, St. Paul, MN (US)
(72) Inventors: **Stefan Eckstein**, München (DE); **Andreas Boehm**, Reichling (DE); **Marc Peuker**, Schöndorf (DE)
(73) Assignee: **3M Innovative Properties Company**, St. Paul, MN (US)
(**) Term: **14 Years**

5,738,655 A * 4/1998 Vallelunga et al. 604/110
D401,325 S * 11/1998 Hjertman et al. D24/114
D419,236 S 1/2000 Carlson
D421,121 S 2/2000 Prasad
D436,661 S * 1/2001 Berry D24/141
D472,323 S 3/2003 Sand
6,884,071 B2 4/2005 Martin
D574,954 S * 8/2008 Smith D24/114
7,562,792 B2 7/2009 Nisbet
D618,347 S * 6/2010 Bradshaw D24/141
D645,958 S 9/2011 Assmann
D657,867 S * 4/2012 Effenberger D24/114
D672,837 S 12/2012 Wyatt
D681,808 S 5/2013 Holaschke

(Continued)

(21) Appl. No.: **29/486,605**
(22) Filed: **Apr. 1, 2014**
(30) **Foreign Application Priority Data**
Oct. 3, 2013 (EP) 1385975
(51) **LOC (10) Cl.** **24-02**
(52) **U.S. Cl.**
USPC **D24/130**
(58) **Field of Classification Search**
USPC D24/130, 112-114, 133, 186, 104, 127;
606/181, 185; 604/264, 272, 115, 232,
604/187, 158, 164.08, 192, 263, 163, 181,
604/184, 198, 227
CPC F04B 47/12; F04B 53/143; E21B 43/121;
E03C 1/308
See application file for complete search history.

OTHER PUBLICATIONS

Tetric EvoCeram & Tetric EvoFlow®, Ivoclar Vivodent, Oct. 29, 2013, 10 pages.

(Continued)

Primary Examiner — David Muller
Assistant Examiner — Nathan Johnston

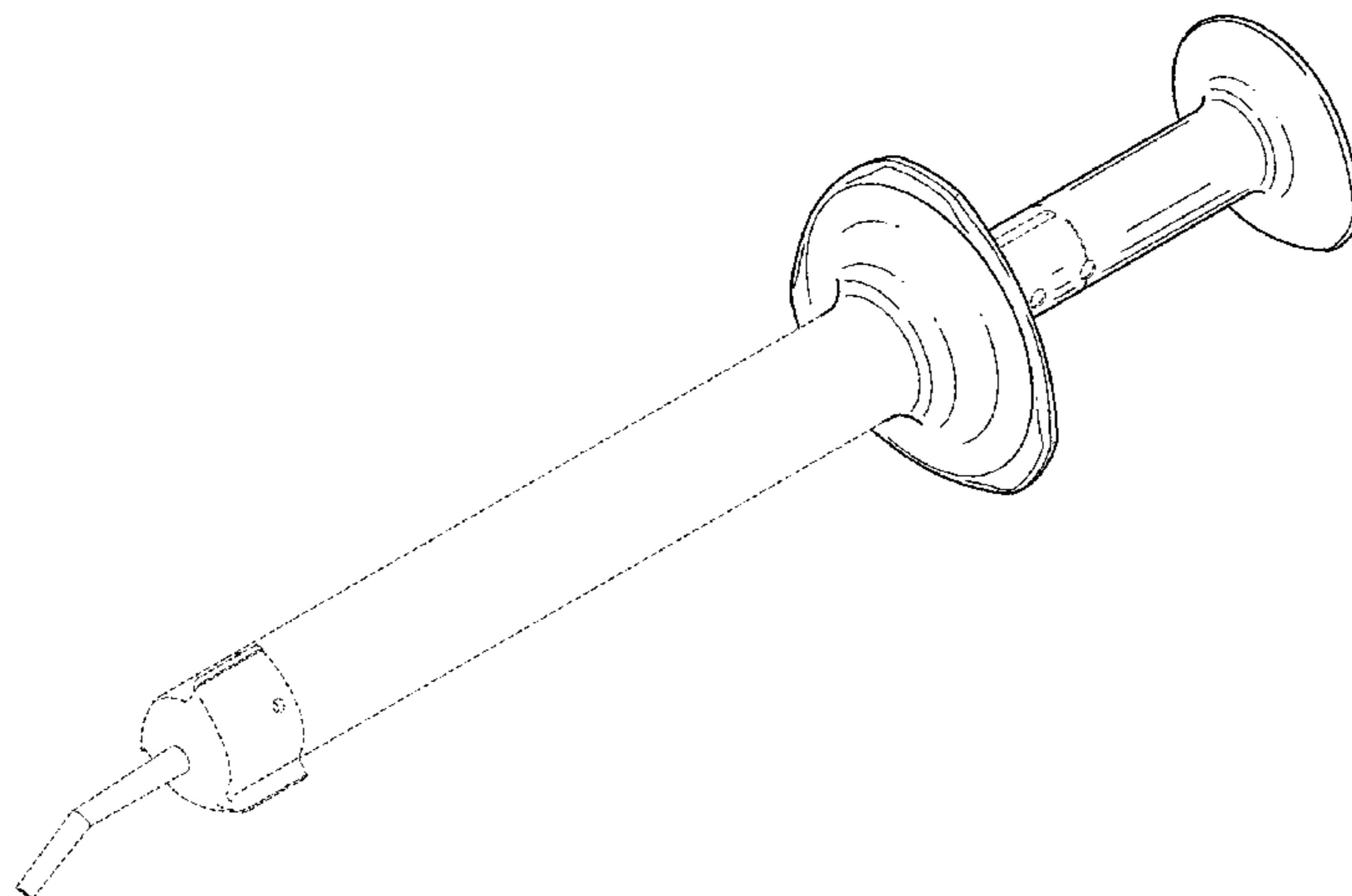
(57) **CLAIM**
The ornamental design for a plunger, as shown and described.

DESCRIPTION

FIG. 1 is a perspective view showing the new design for a plunger;
FIG. 2 is a right side elevation view thereof;
FIG. 3 is a top plan view thereof;
FIG. 4 is a bottom plan view thereof;
FIG. 5 is a left side elevation view thereof;
FIG. 6 is a front elevation view thereof; and,
FIG. 7 is a back elevation view thereof.
The features shown in broken lines depict environmental subject matter only and form no part of the claimed design. The interior, unshaded rear surfaces seen in FIG. 7 form no part of the claimed design.

1 Claim, 3 Drawing Sheets

(56) **References Cited**
U.S. PATENT DOCUMENTS
3,739,947 A 6/1973 Baumann
D287,877 S 1/1987 Holewinski
4,941,752 A 7/1990 Yant
5,324,273 A 6/1994 Discko, Jr.
5,392,904 A 2/1995 Frick
5,437,647 A * 8/1995 Firth et al. 604/110



(56)

References Cited

U.S. PATENT DOCUMENTS

D690,417 S * 9/2013 Solomon D24/114
D690,813 S 10/2013 Bizzell
D693,940 S 11/2013 Walter
D696,787 S 12/2013 Walter
D698,918 S 2/2014 Leiner
D721,803 S * 1/2015 Dubach D24/114
2004/0030345 A1 * 2/2004 Aurin et al. 606/92
2006/0173411 A1 * 8/2006 Barere 604/110
2009/0020561 A1 * 1/2009 Keller 222/145.1

2010/0240004 A1 9/2010 Zalsman
2011/0056985 A1 3/2011 Bublewitz
2013/0101955 A1 4/2013 Broyles
2013/0116628 A1 * 5/2013 Kulshrestha et al. 604/227
2013/0260335 A1 10/2013 Peuker

OTHER PUBLICATIONS

Tetric EvoCeram® Bulk Fill, Nano-Hybrid Composite with Ivocerin,
Ivoclar Vivodent ©, 2013, 6 pages.

* cited by examiner

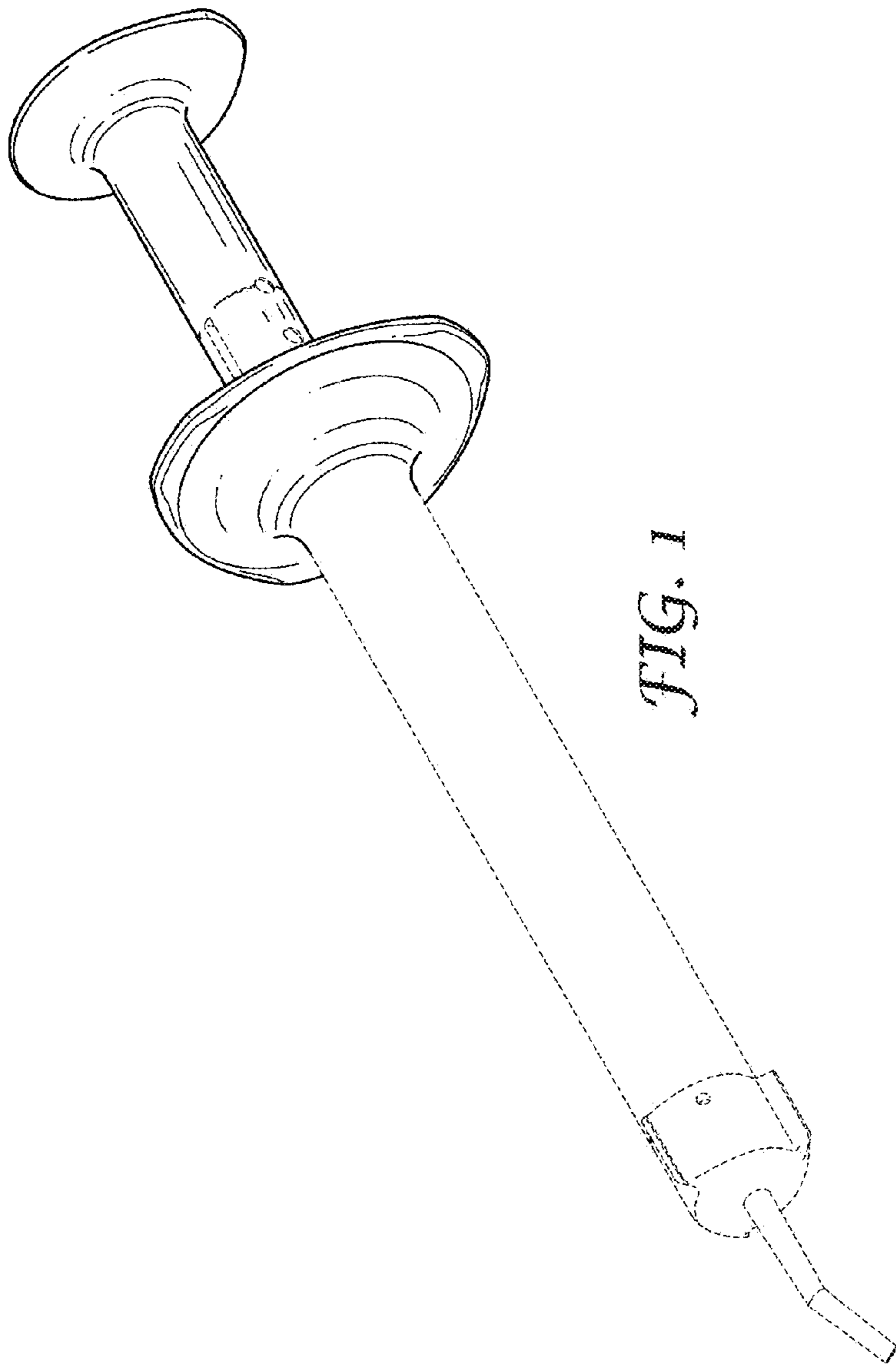


FIG. 1

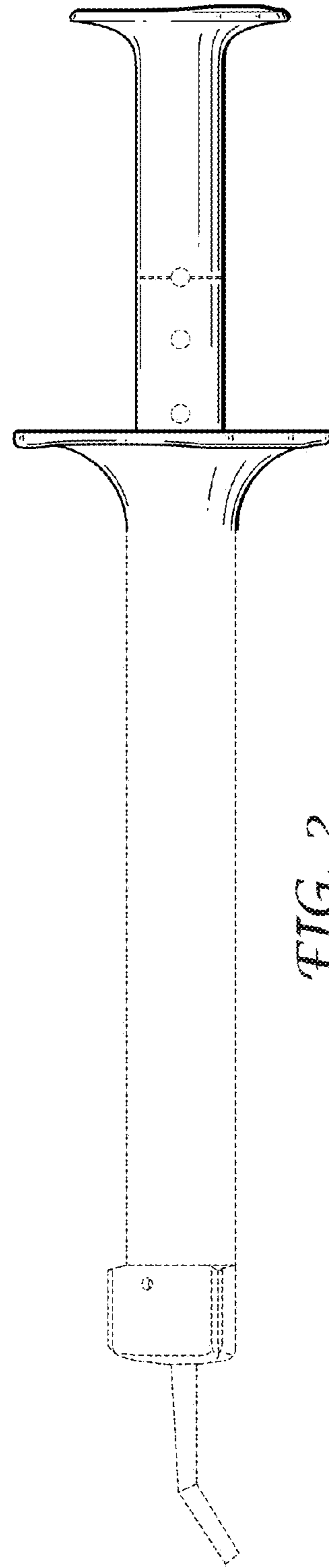


FIG. 2

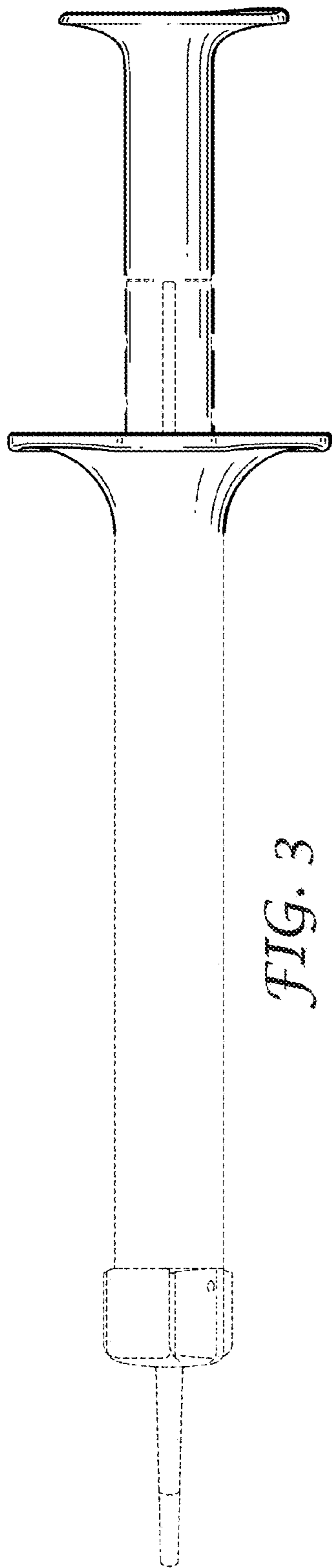


FIG. 3

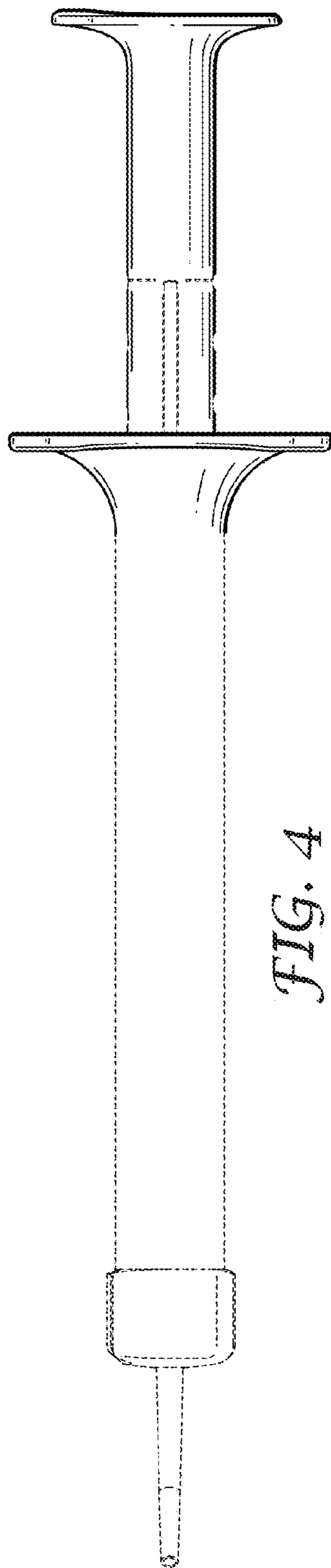


FIG. 4

