



US00D753292S

(12) **United States Design Patent**
Oates, II et al.

(10) **Patent No.:** **US D753,292 S**
(45) **Date of Patent:** **** Apr. 5, 2016**

(54) **FLUID DISPENSING AMPOULE**
(71) Applicant: **PEDIA SOLUTIONS LLC**, San Diego, CA (US)
(72) Inventors: **Robert Bradley Oates, II**, San Diego, CA (US); **Brian Paul Brock**, Tempe, AZ (US)
(73) Assignee: **Pedia Solutions, LLC**, San Diego, CA (US)

5,772,685 A 6/1998 Crowe et al.
6,110,193 A 8/2000 Chen
6,139,566 A 10/2000 Bennett
D458,366 S * 6/2002 Hellberg et al. D24/115
6,454,788 B1 9/2002 Ashton
D518,891 S * 4/2006 Strong D24/115
D534,648 S * 1/2007 Zahn et al. D24/115
D538,424 S * 3/2007 Zahn et al. D24/115
D562,443 S * 2/2008 Zinn et al. D24/108
7,487,894 B2 * 2/2009 Zahn et al. 222/541.9

(Continued)

(**) Term: **14 Years**
(21) Appl. No.: **29/468,331**
(22) Filed: **Sep. 27, 2013**

FOREIGN PATENT DOCUMENTS

WO WO 02/22073 3/2002
WO WO 03/013419 2/2003
WO WO 2009/033202 3/2009

Primary Examiner — David Muller
(74) *Attorney, Agent, or Firm* — Foley & Lardner LLP

Related U.S. Application Data

(63) Continuation-in-part of application No. PCT/US2013/037492, filed on Apr. 19, 2013.

(51) **LOC (10) Cl.** **24-02**

(52) **U.S. Cl.**
USPC **D24/115**

(58) **Field of Classification Search**
USPC D24/115, 118, 127, 108; 606/181, 185; 604/264, 272, 115, 232, 187, 158, 604/164.08, 192, 263, 163, 181, 184, 198, 604/227; 600/101, 139, 143; 128/200.24, 128/207.14, 207.15; D9/707, 709, 696
See application file for complete search history.

(57) **CLAIM**

We claim the ornamental design for a fluid dispensing ampoule, as shown and described.

DESCRIPTION

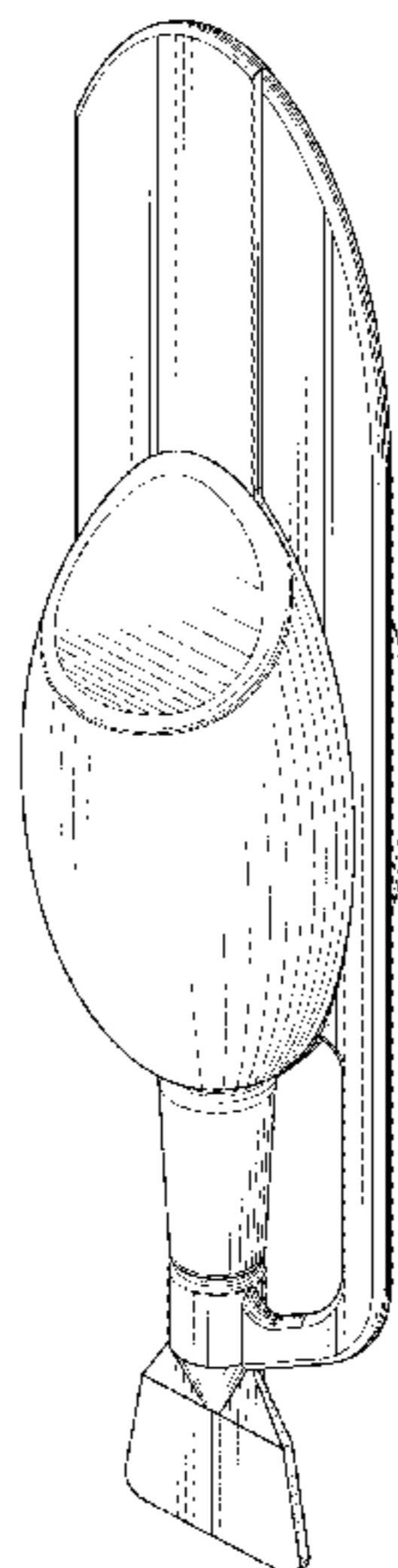
FIG. 1 is a bottom, front, and left side perspective view of the fluid dispensing ampoule, wherein the fluid dispensing ampoule includes a removable seal;
FIG. 2 is a front view thereof;
FIG. 3 is a rear view thereof;
FIG. 4 is a right side view thereof;
FIG. 5 is a left side view thereof;
FIG. 6 is a top view thereof;
FIG. 7 is a bottom view thereof; and,
FIG. 8 is a perspective view of the fluid dispensing ampoule, wherein the removable seal has been removed and the fluid dispensing ampoule is coupled to a fluid dispensing pacifier. The fluid dispensing pacifier is shown in broken lines.
The ornamental design which is claimed is shown in the drawings. The features shown in broken lines depict environmental structure only and form no part of the claimed design.

(56) **References Cited**

U.S. PATENT DOCUMENTS

3,993,223 A 11/1976 Brady et al.
D309,097 S * 7/1990 Price D9/696
5,354,274 A 10/1994 Demeter et al.
D369,212 S * 4/1996 Snell D9/696
5,512,047 A 4/1996 Dvorak
5,601,605 A 2/1997 Crowe et al.
5,620,462 A 4/1997 Valenti

1 Claim, 7 Drawing Sheets



(56)

References Cited

U.S. PATENT DOCUMENTS

7,753,886 B2 7/2010 Vath et al.
8,118,773 B2 2/2012 Stewart
D663,414 S * 7/2012 Robin D24/115
D670,804 S * 11/2012 March D24/115

D674,481 S * 1/2013 DeCoste D24/115
D678,998 S * 3/2013 Galbriath et al. D24/108
D725,264 S * 3/2015 Zhang et al. D24/133
2005/0125038 A1 6/2005 Inbar et al.
2011/0046671 A1 2/2011 Okoturo

* cited by examiner

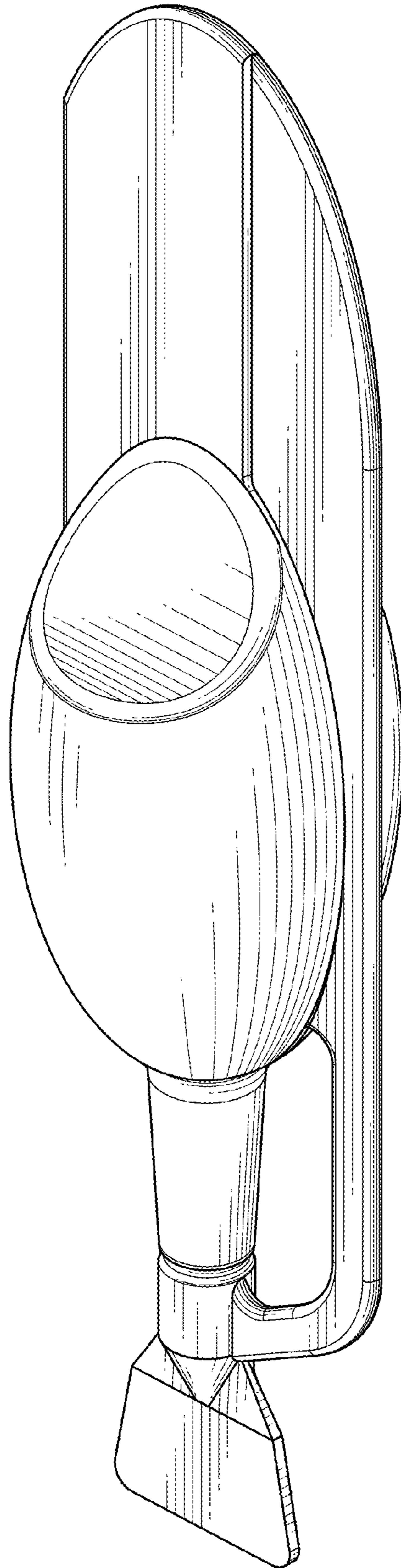


FIG. 1

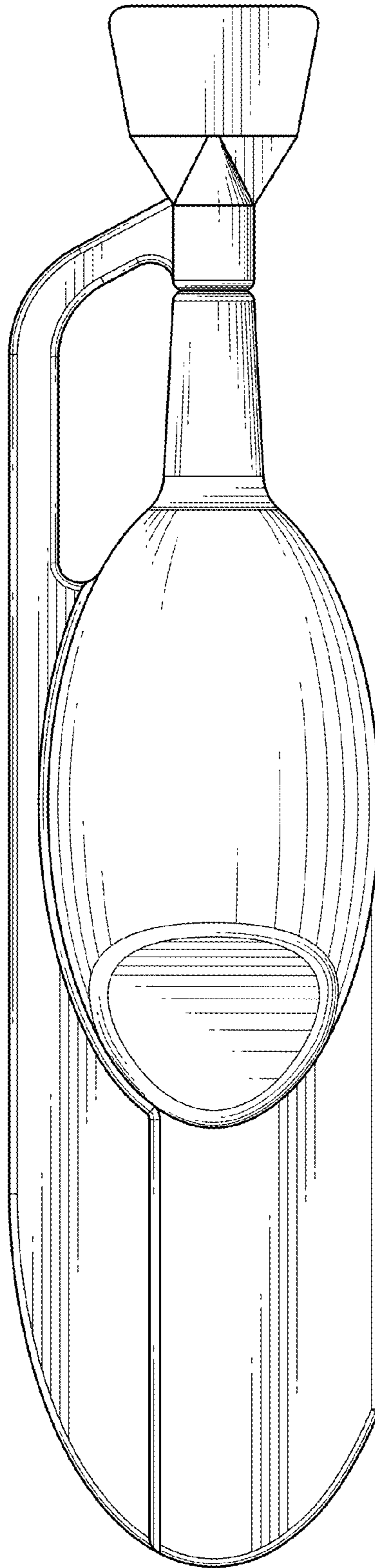


FIG. 2

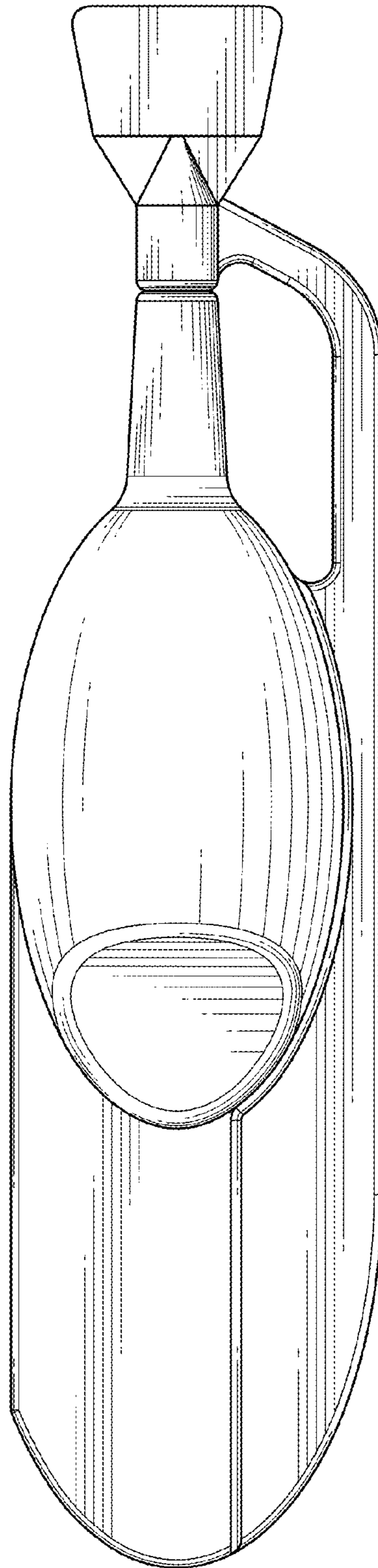


FIG. 3

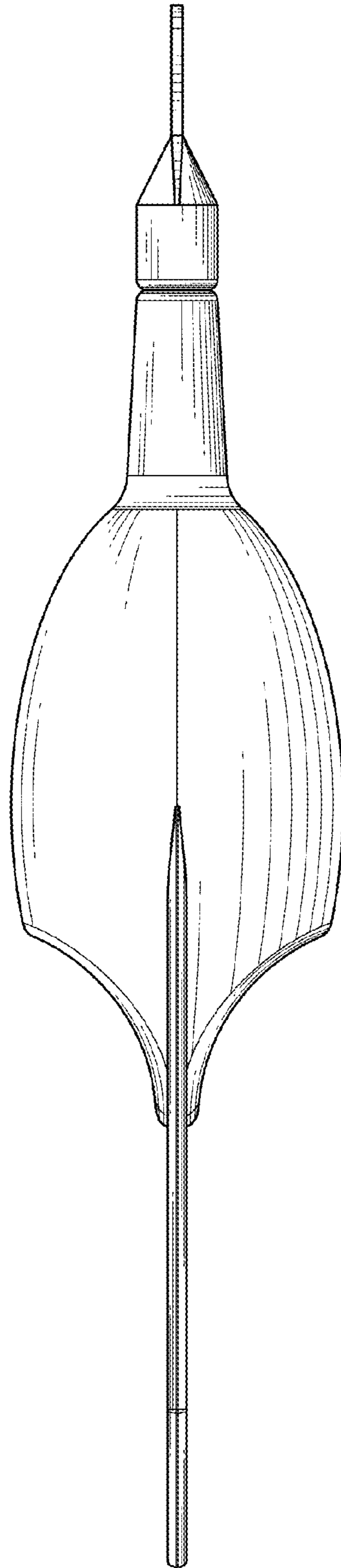


FIG. 4

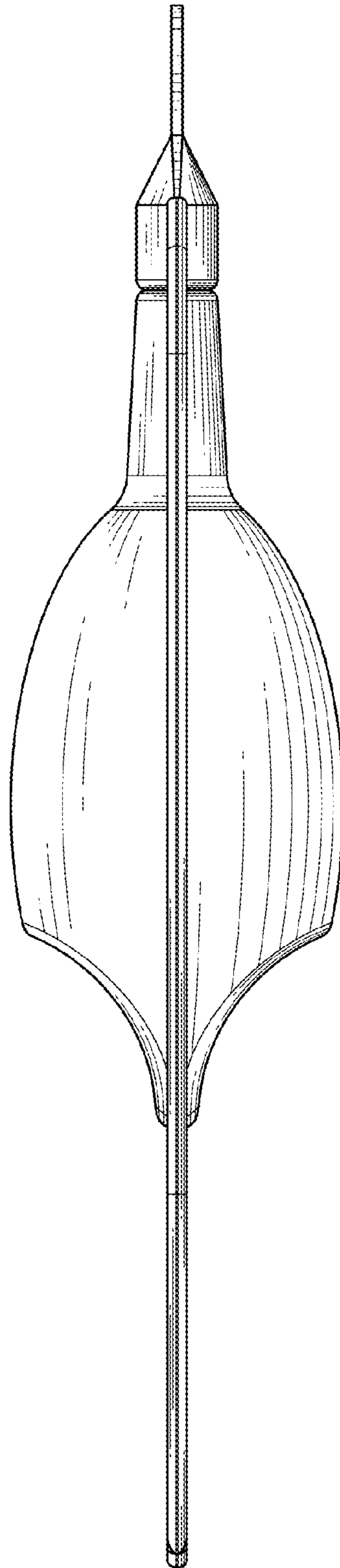


FIG. 5

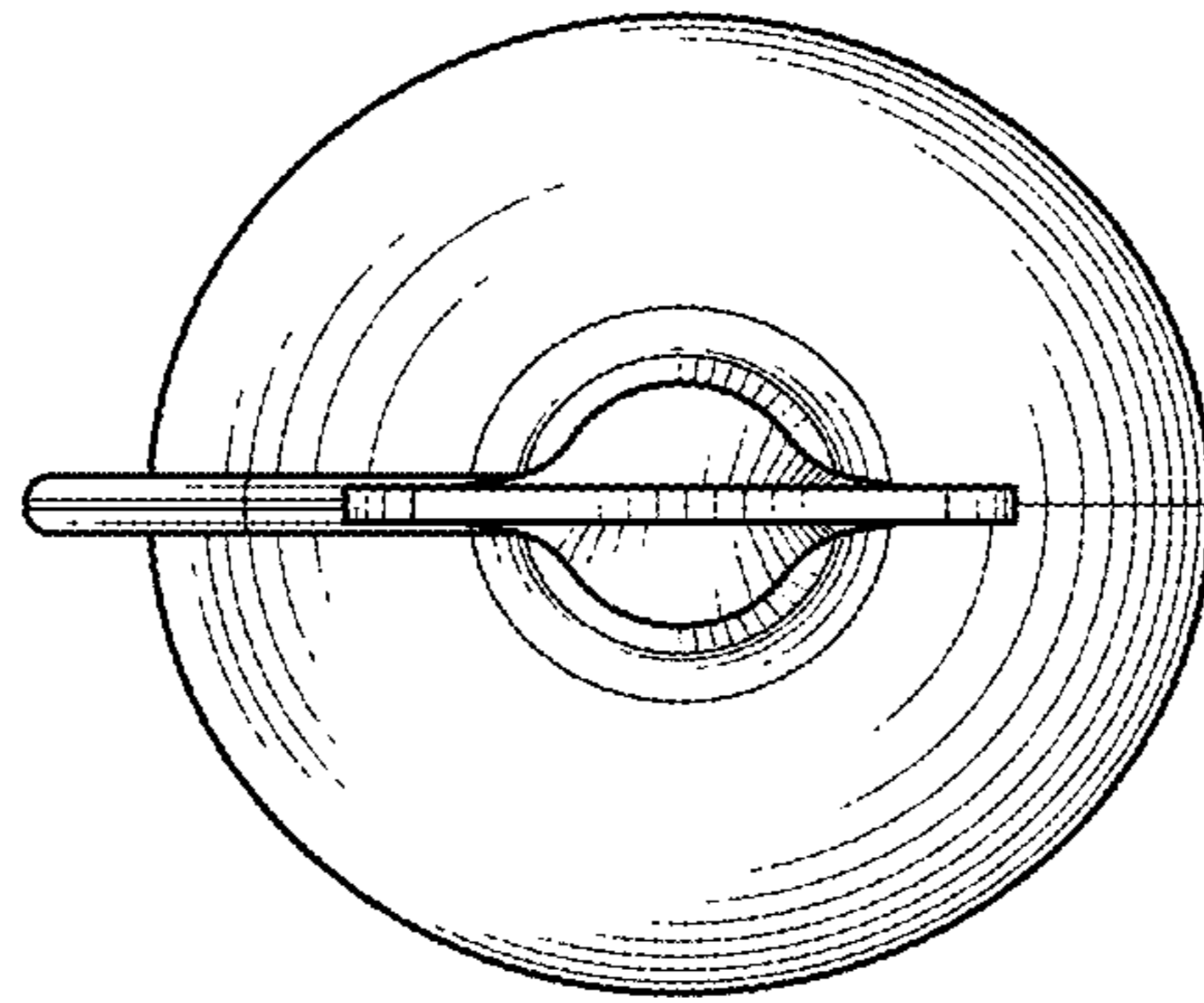


FIG. 6

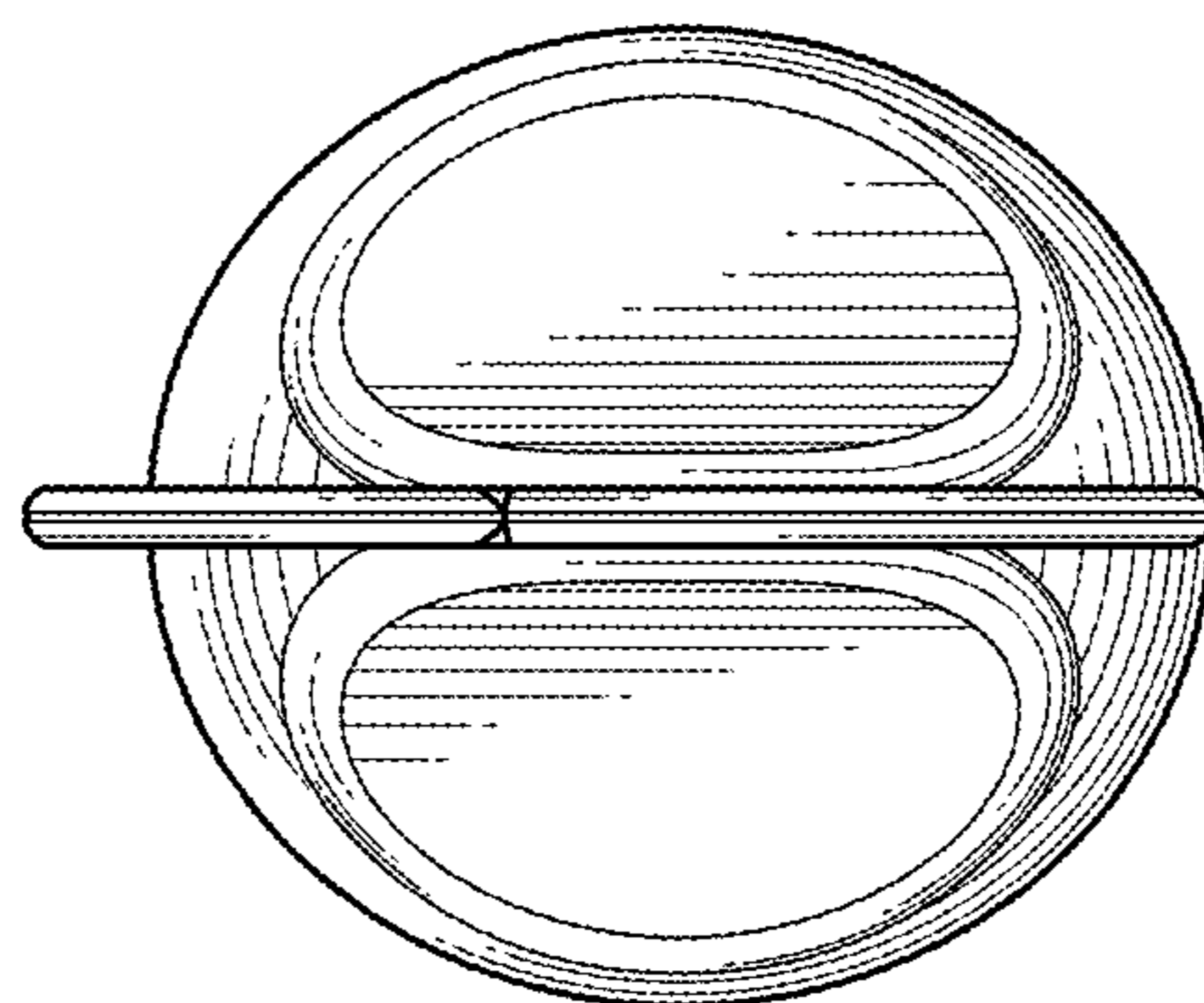


FIG. 7

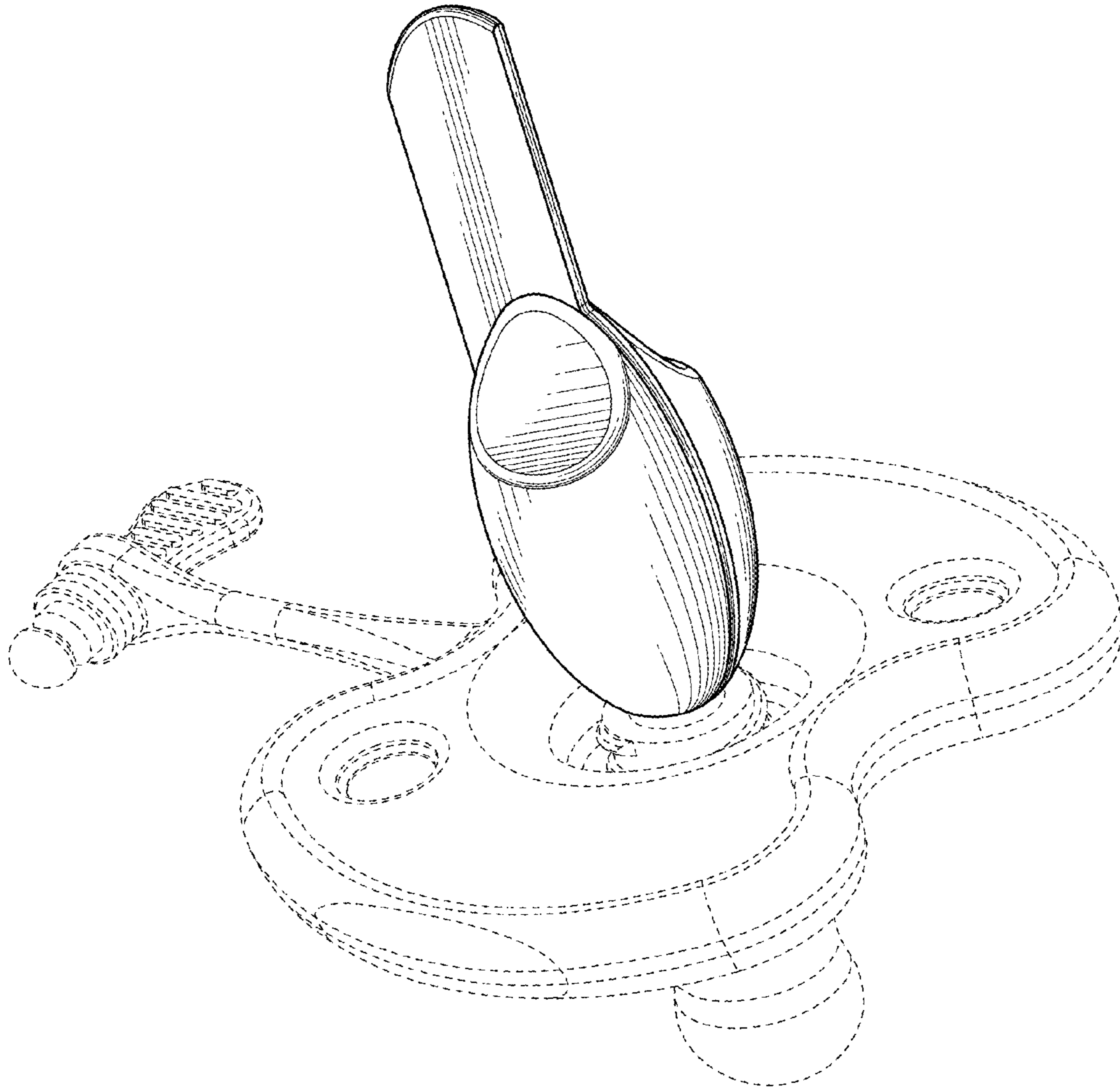


FIG. 8