



US00D753291S

(12) **United States Design Patent**
Ratjen et al.

(10) **Patent No.:** **US D753,291 S**
(45) **Date of Patent:** **** Apr. 5, 2016**

(54) **MEDICAMENT INJECTION DEVICE**

(71) Applicants: **SANOFI**, Paris (FR); **REGENERON PHARMACEUTICALS, INC.**, Tarrytown, NY (US)

(72) Inventors: **Jochen Ratjen**, Nacka (SE); **Katja Wessel**, Stockholm (SE)

(73) Assignee: **SANOFI**, Paris (FR)

(**) Term: **15 Years**

(21) Appl. No.: **29/536,407**

(22) Filed: **Aug. 17, 2015**

Related U.S. Application Data

(62) Division of application No. 29/483,790, filed on Mar. 3, 2014, now Pat. No. Des. 739,932.

(51) **LOC (10) Cl.** **24-01**

(52) **U.S. Cl.**
USPC **D24/112**

(58) **Field of Classification Search**
USPC D24/112-114, 133, 186, 104, 130, 127;
606/181, 185; 604/264, 272, 115, 232,
604/187, 158, 164.08, 192, 263, 163, 181,
604/184, 198, 227
CPC A61M 5/2033; A61M 5/3204; A61M
2005/208; A61M 2005/206; A61M 2005/2418
See application file for complete search history.

(56) **References Cited**

U.S. PATENT DOCUMENTS

3,395,704 A * 8/1968 Frey A61M 5/20
128/DIG. 1
4,636,202 A 1/1987 Lowin et al.

(Continued)

FOREIGN PATENT DOCUMENTS

WO 2013/135566 9/2013

Primary Examiner — David Muller

Assistant Examiner — Nathan Johnston

(74) *Attorney, Agent, or Firm* — McDonnell Boehnen Hulbert & Berghoff LLP

(57) **CLAIM**

The ornamental main housing for a medicament injection device, as shown and described.

DESCRIPTION

FIG. 1 is a perspective view of the injection device with the cap portion removed from the distal portion of the main housing and showing a partially extended needle guard viewed from the front and left of and above the injection device;

FIG. 2 is a front end elevation view thereof;

FIG. 3 is a rear end elevation view thereof;

FIG. 4 is a top plan view thereof;

FIG. 5 is a bottom plan view thereof;

FIG. 6 is a left side elevation view thereof;

FIG. 7 is a right side elevation view thereof;

FIG. 8 is a perspective view of the injection device with the cap portion removed from the distal portion of the main housing and showing a retracted needle guard viewed from the front and left of and above the injection device;

FIG. 9 is a front end elevation view thereof;

FIG. 10 is a rear end elevation view thereof;

FIG. 11 is a top plan view thereof;

FIG. 12 is a bottom plan view thereof;

FIG. 13 is a left side elevation view thereof;

FIG. 14 is a right side elevation view thereof;

FIG. 15 is a perspective view of the injection device with the cap portion removed from the distal portion of the main housing and showing a fully extended needle guard viewed from the front and left of and above the injection device;

FIG. 16 is a front end elevation view thereof;

FIG. 17 is a rear end elevation view thereof;

FIG. 18 is a top plan view thereof;

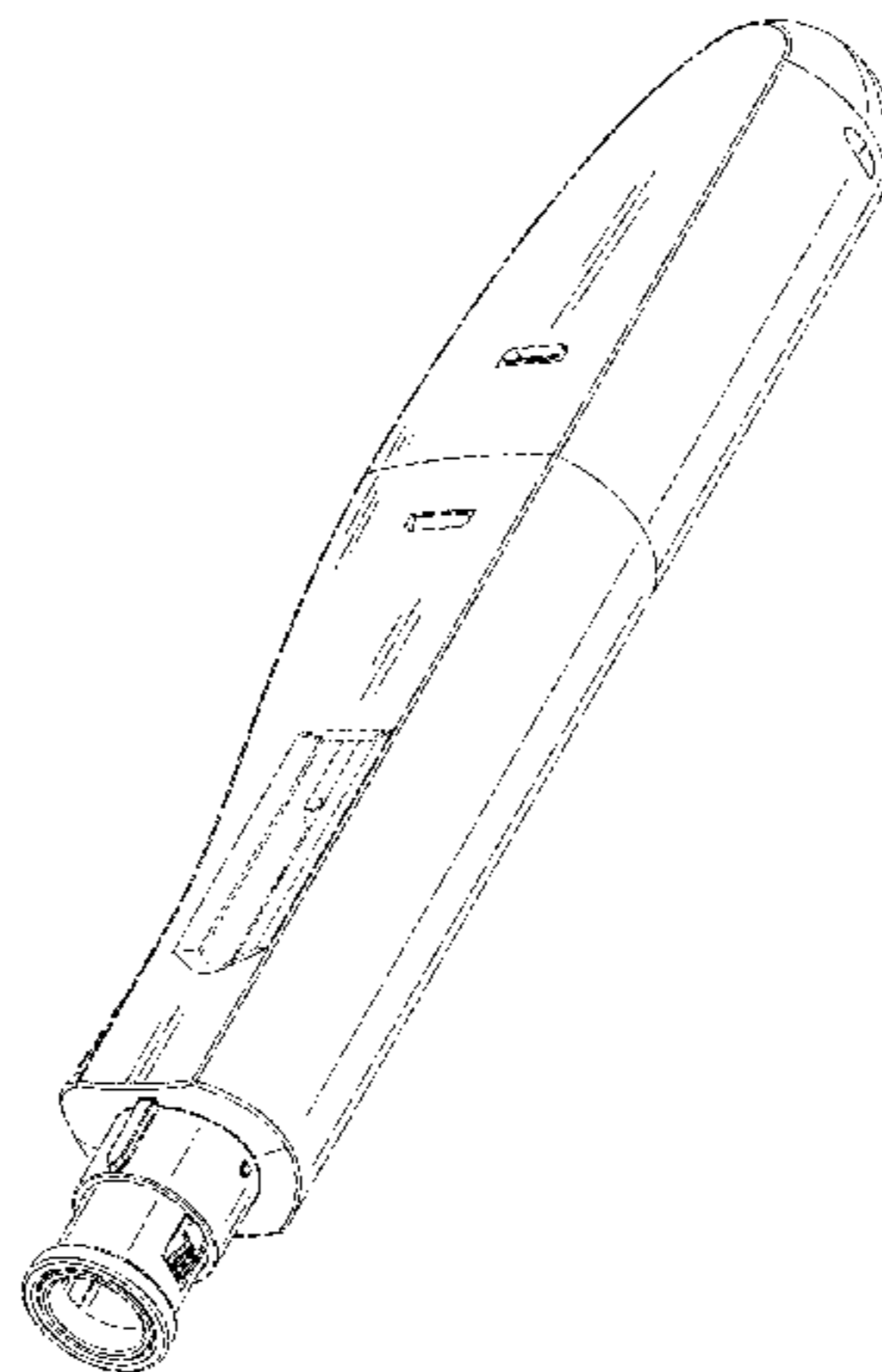
FIG. 19 is a bottom plan view thereof;

FIG. 20 is a left side elevation view thereof; and,

FIG. 21 is a right side elevation view thereof.

The features shown in broken lines depict environmental subject matter only and form no part of the claimed design.

1 Claim, 12 Drawing Sheets



(56)

References Cited

U.S. PATENT DOCUMENTS

5,045,066	A	9/1991	Scheuble et al.				
5,501,670	A	3/1996	Sak				
5,921,966	A *	7/1999	Bendek	A61M 5/24			
				604/207			
D449,104	S	10/2001	Baker et al.				
RE37,439	E	11/2001	Firth et al.				
6,585,685	B2	7/2003	Staylor et al.				
D484,244	S	12/2003	Starnes				
D531,308	S *	10/2006	Bendek	D24/114			
D628,690	S *	12/2010	Galbraith	D24/114			
7,976,494	B2 *	7/2011	Kohlbrener	A61M 5/31553			
				604/207			
8,057,433	B2	11/2011	Cuca et al.				
D671,638	S	11/2012	Young et al.				
D677,380	S	3/2013	Julian et al.				
D677,785	S	3/2013	Stones et al.				
D692,559	S *	10/2013	Scheibel	D24/133			
8,591,463	B1 *	11/2013	Cowe	A61M 5/20			
				604/117			
D694,879	S	12/2013	Julian et al.				
8,758,301	B2 *	6/2014	Shang	A61M 5/2033			
				604/135			
D709,184	S *	7/2014	Lee-Sepsick	D24/112			
9,180,259	B2 *	11/2015	Lesch, Jr.	A61M 5/2033			
2005/0251188	A1 *	11/2005	Chen	A61B 5/15186			
				606/181			
2010/0016795	A1 *	1/2010	McLoughlin	A61M 5/3202			
				604/134			
2014/0330203	A1	11/2014	McLoughlin et al.				
2015/0250949	A1 *	9/2015	Maritan	A61M 5/2033			
				604/157			

* cited by examiner

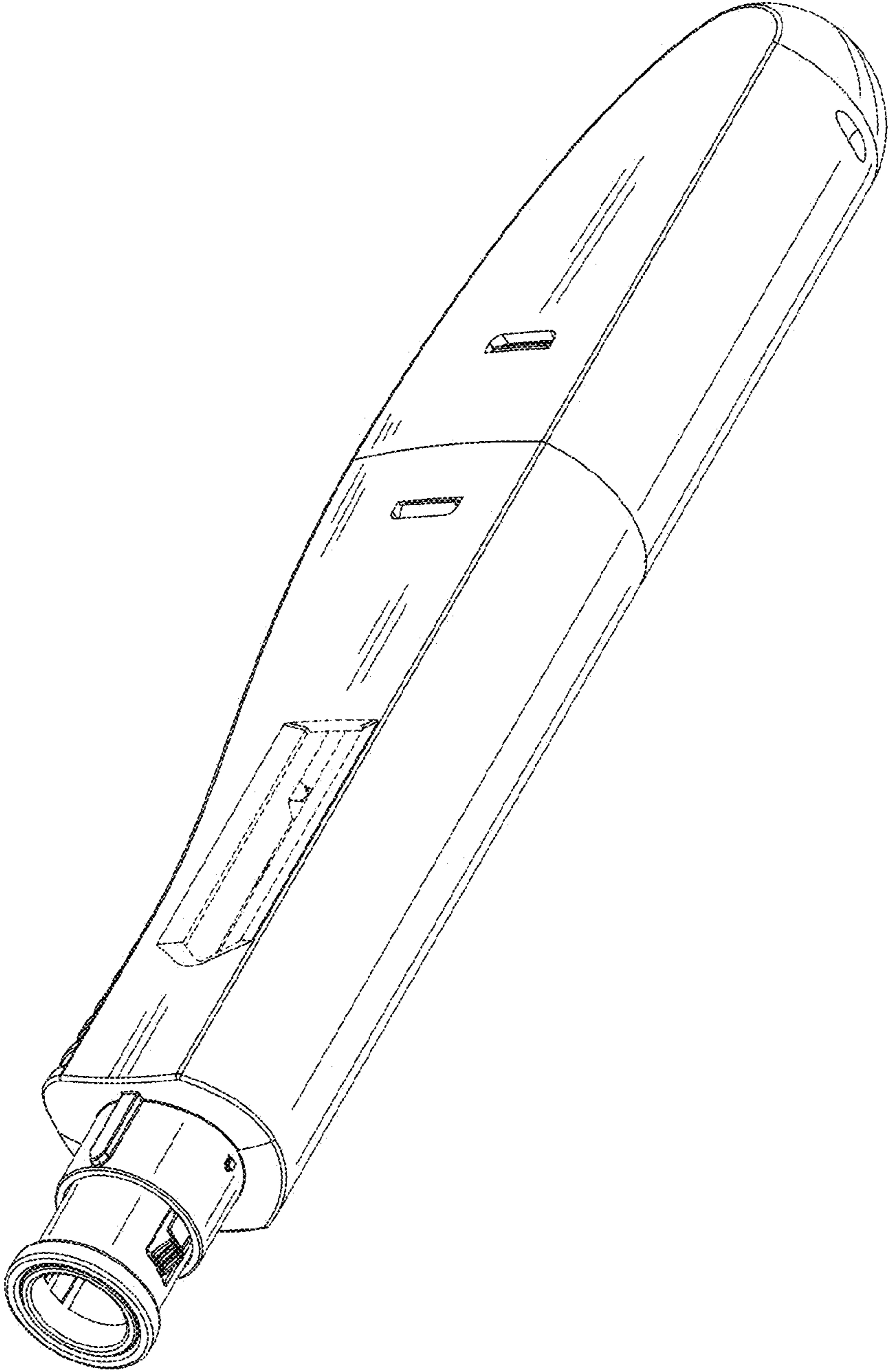


FIG. 1

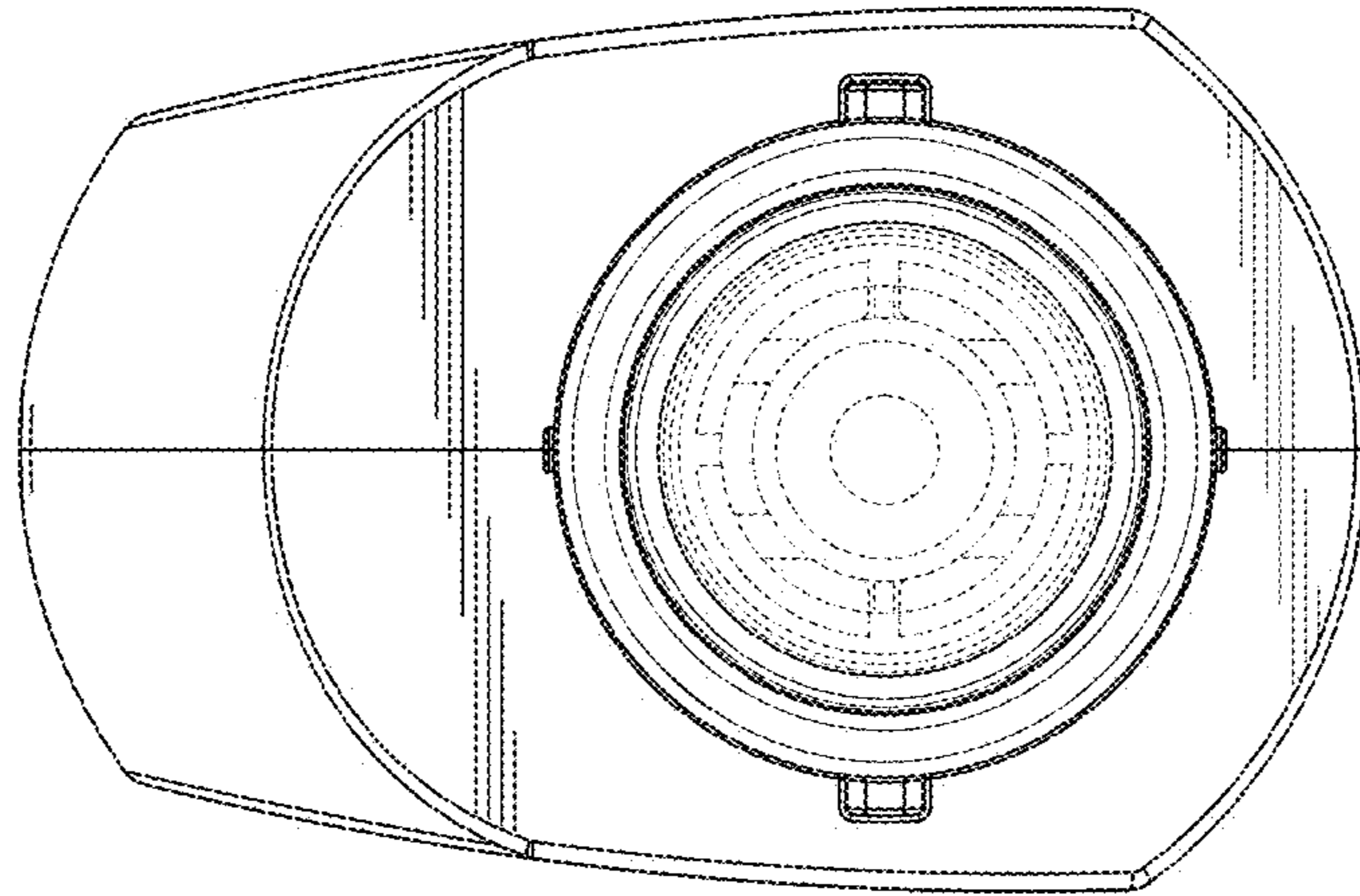


FIG. 2

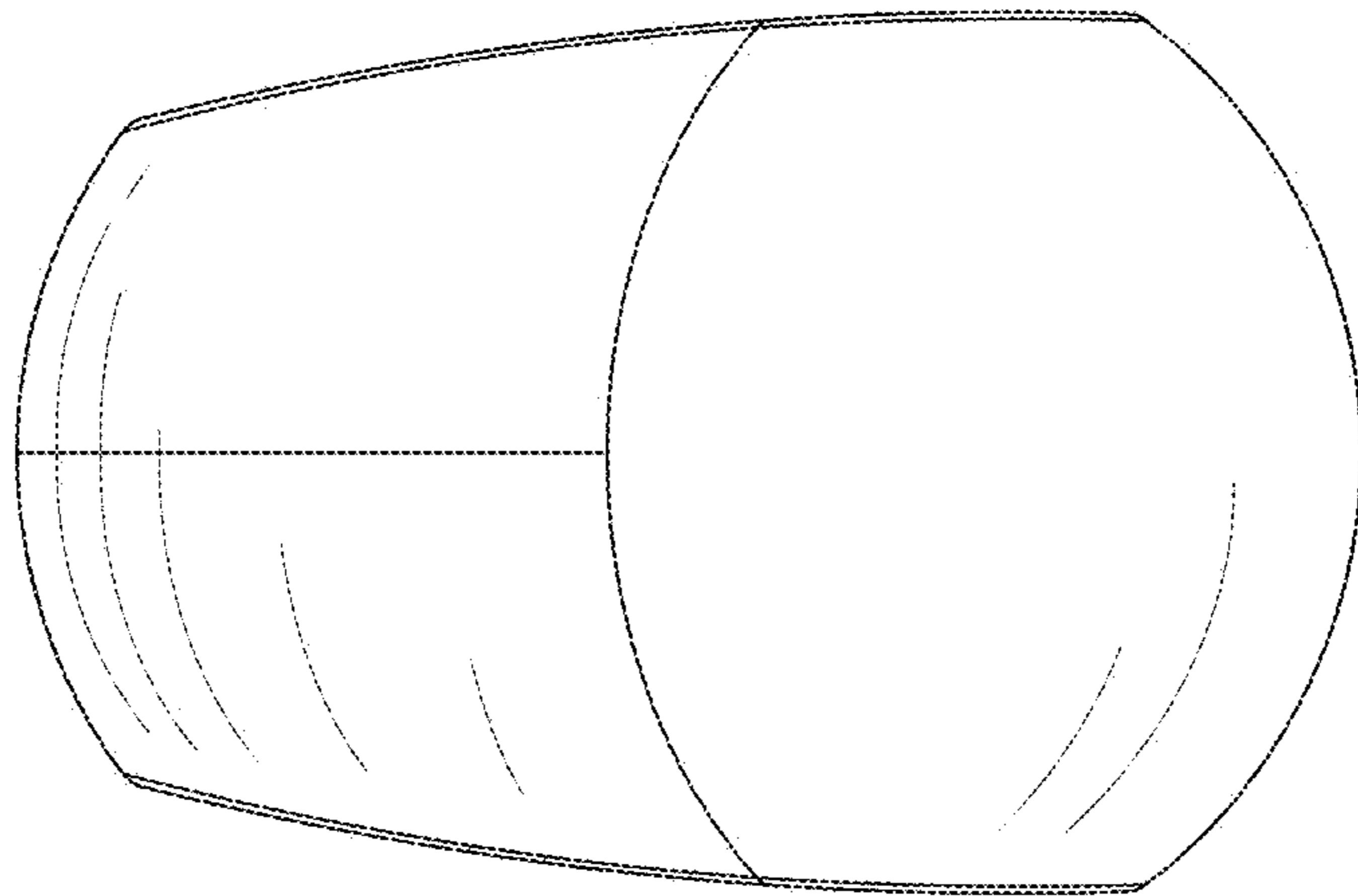


FIG. 3

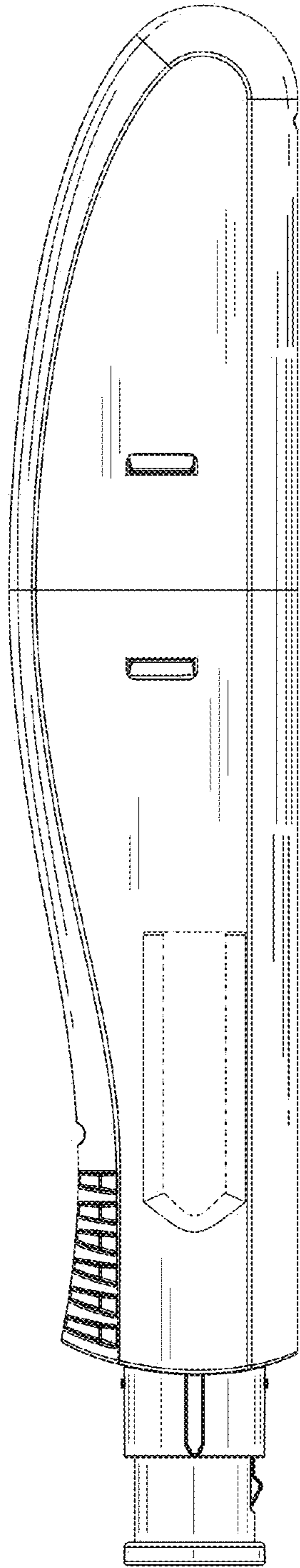


FIG. 4

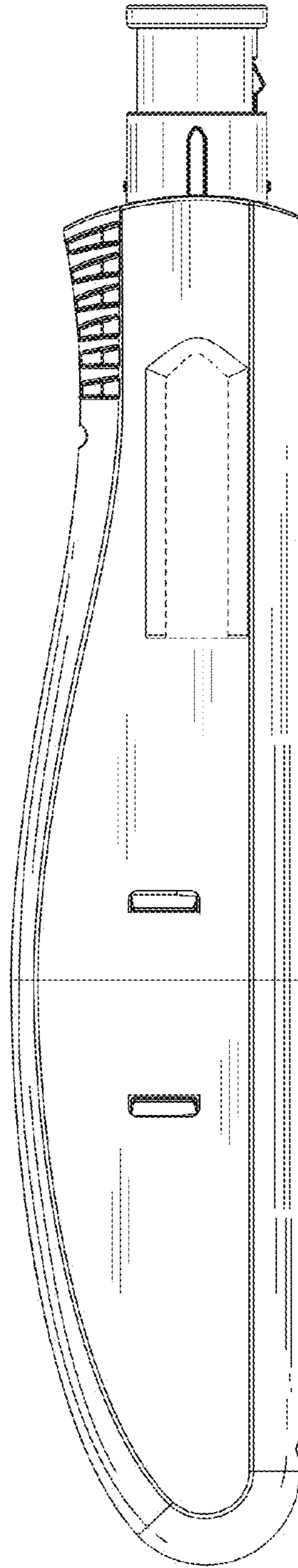


FIG. 5

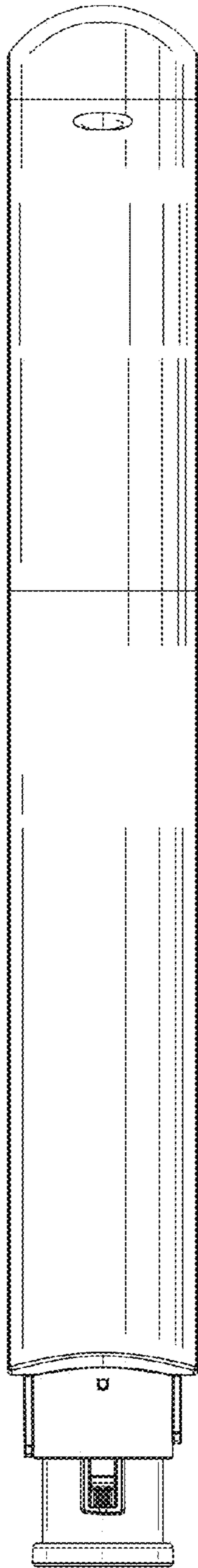


FIG. 6

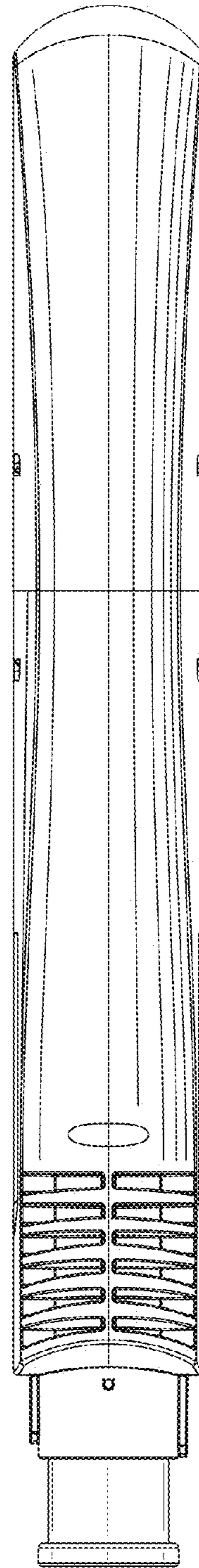


FIG. 7

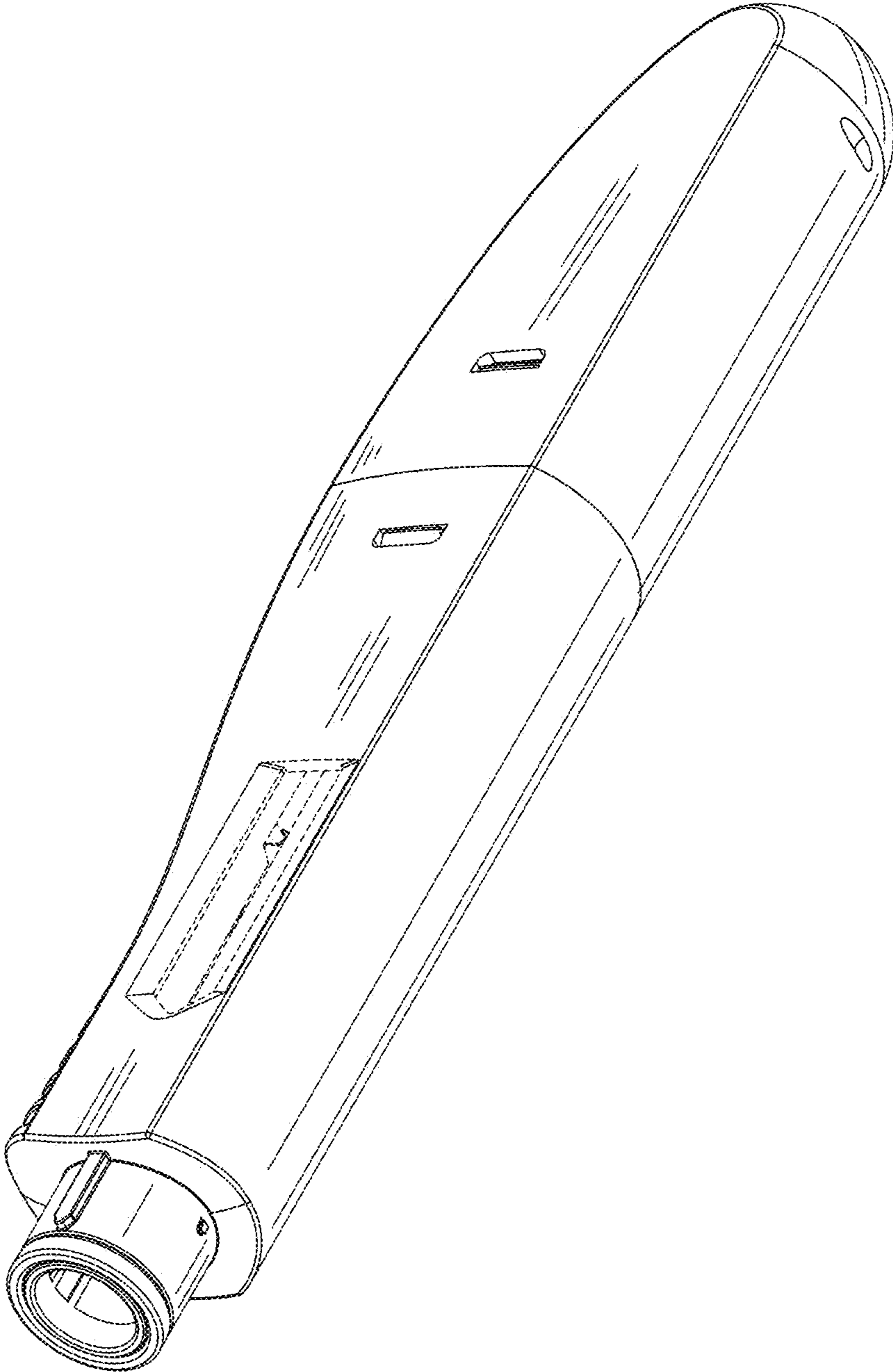


FIG. 8

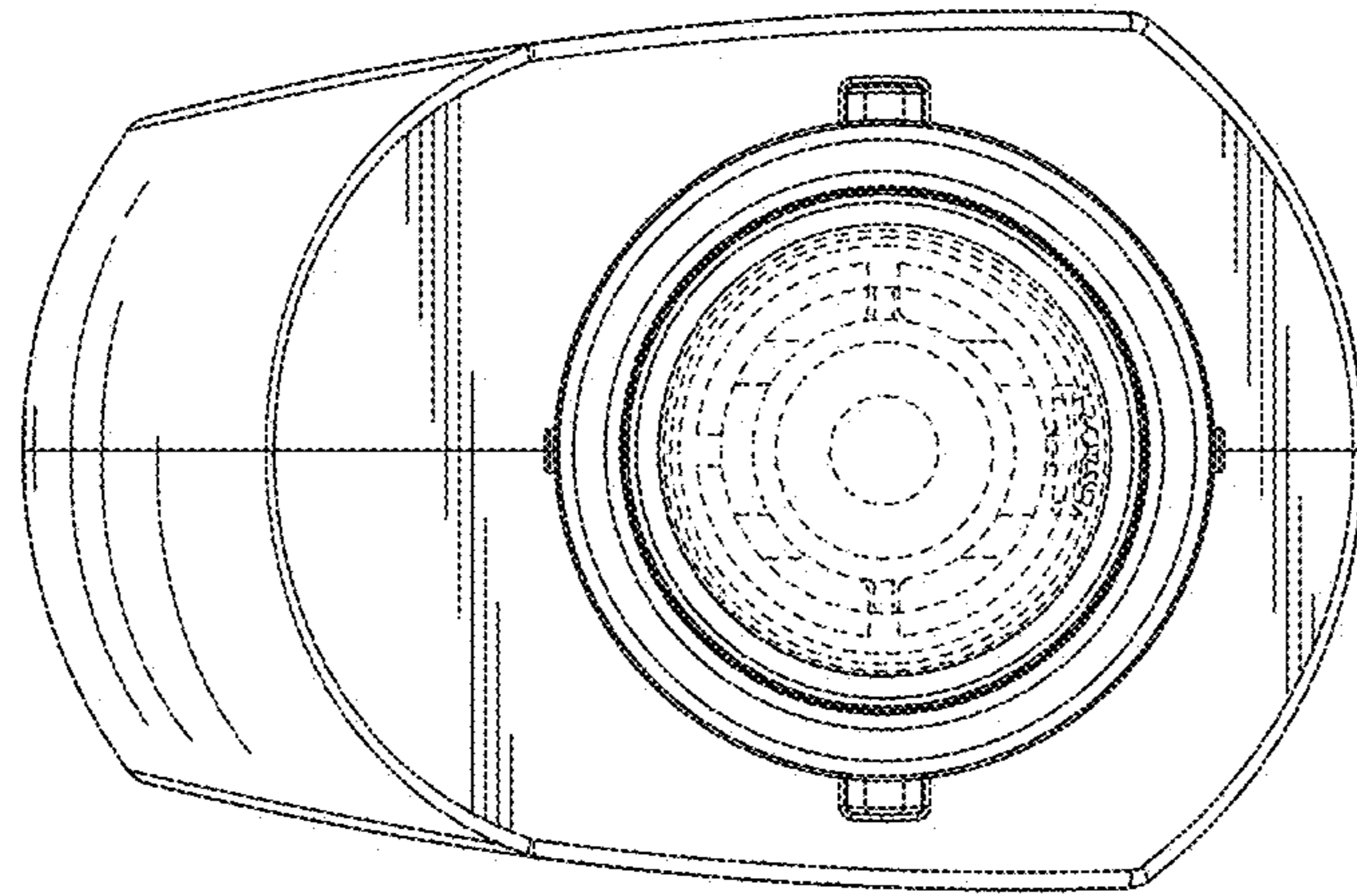


FIG. 9

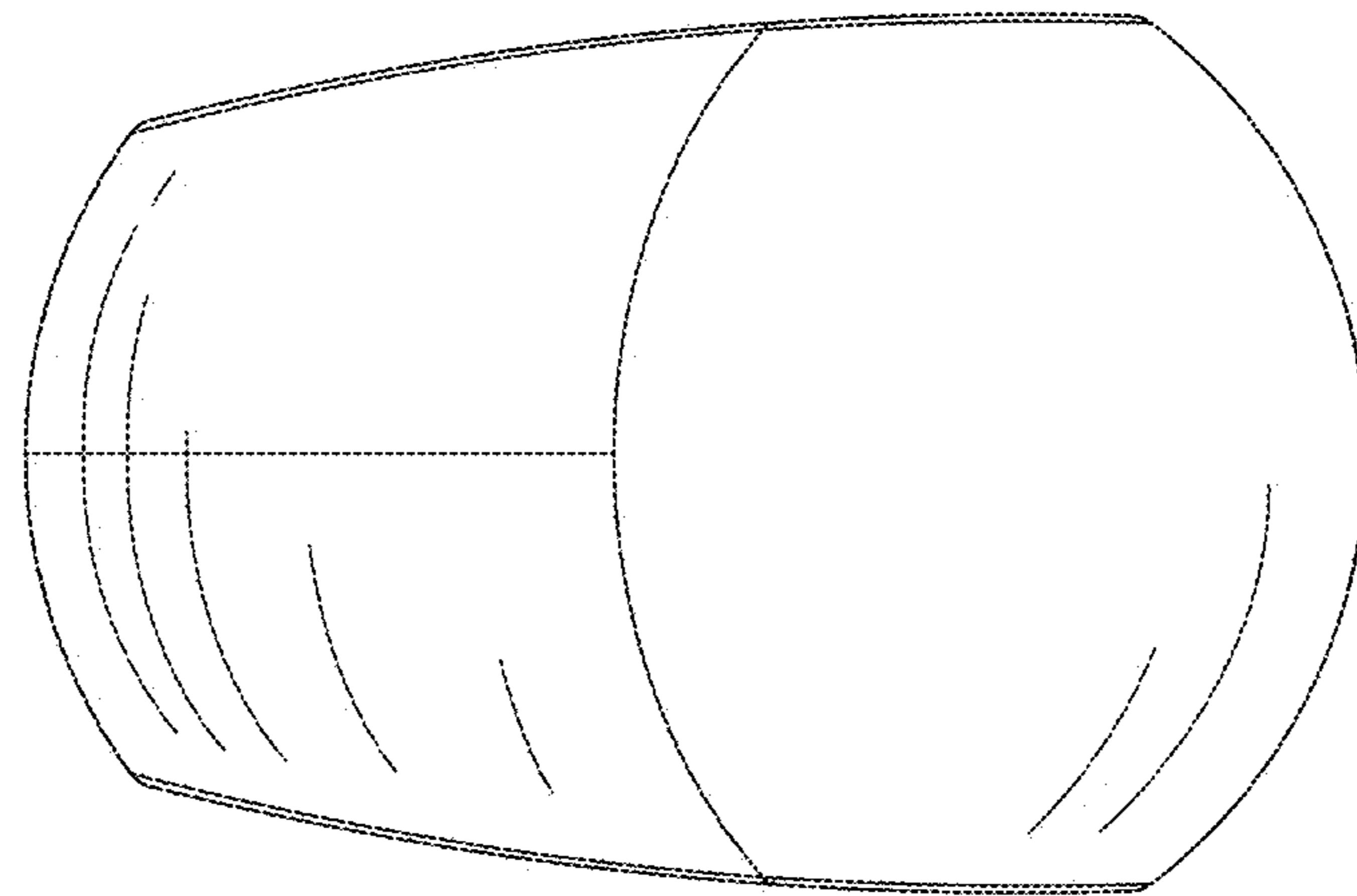


FIG. 10

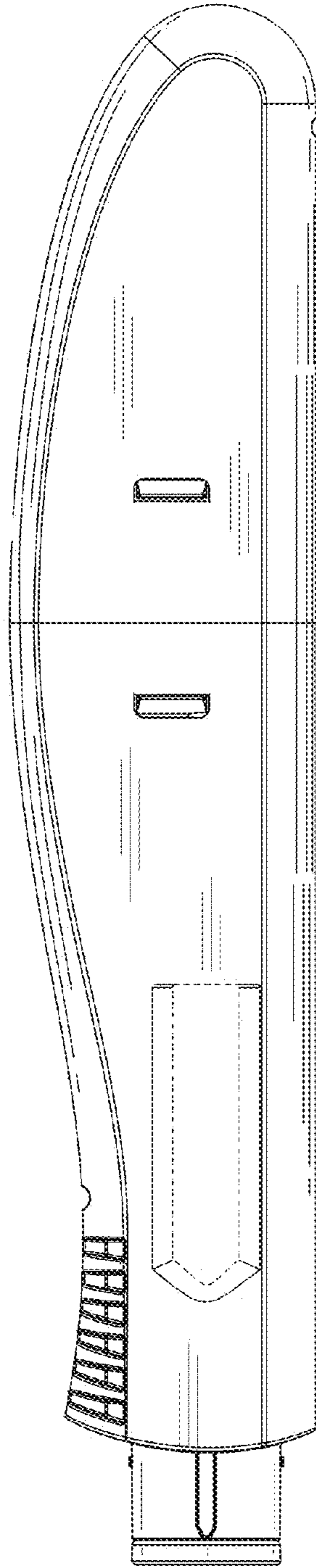


FIG. 11

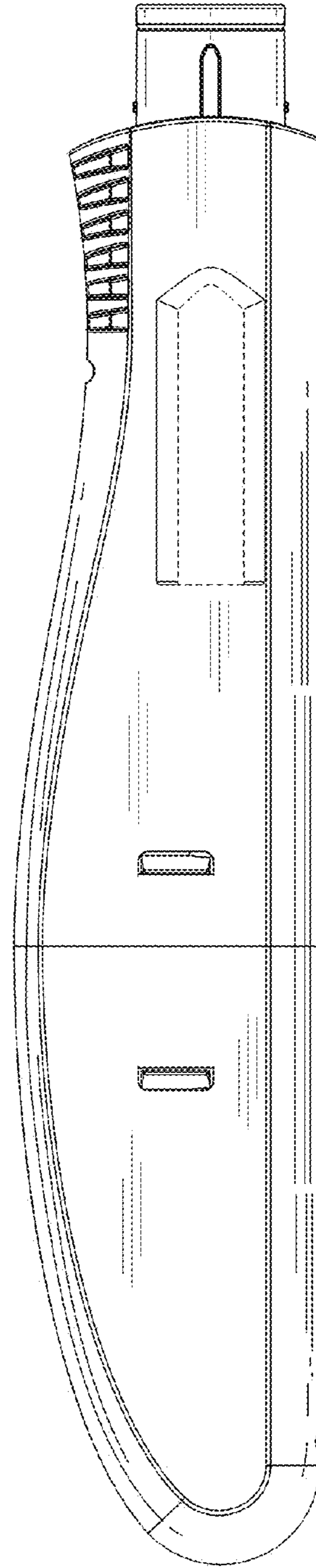


FIG. 12

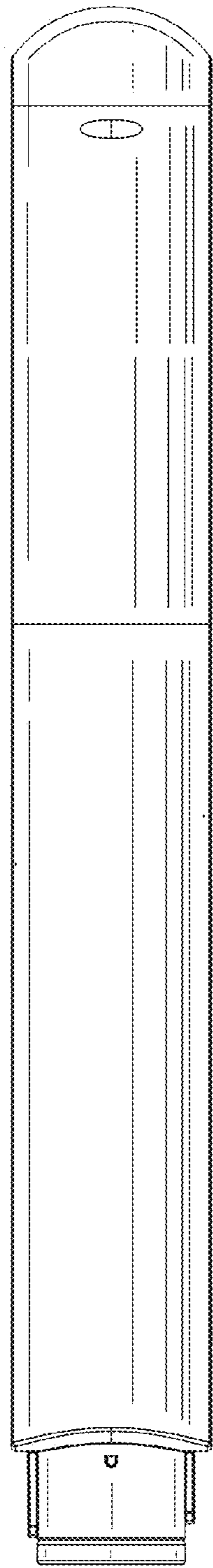


FIG. 13

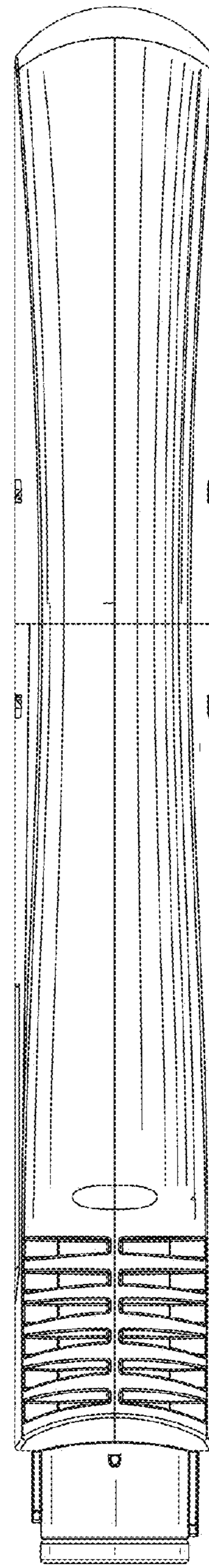


FIG. 14

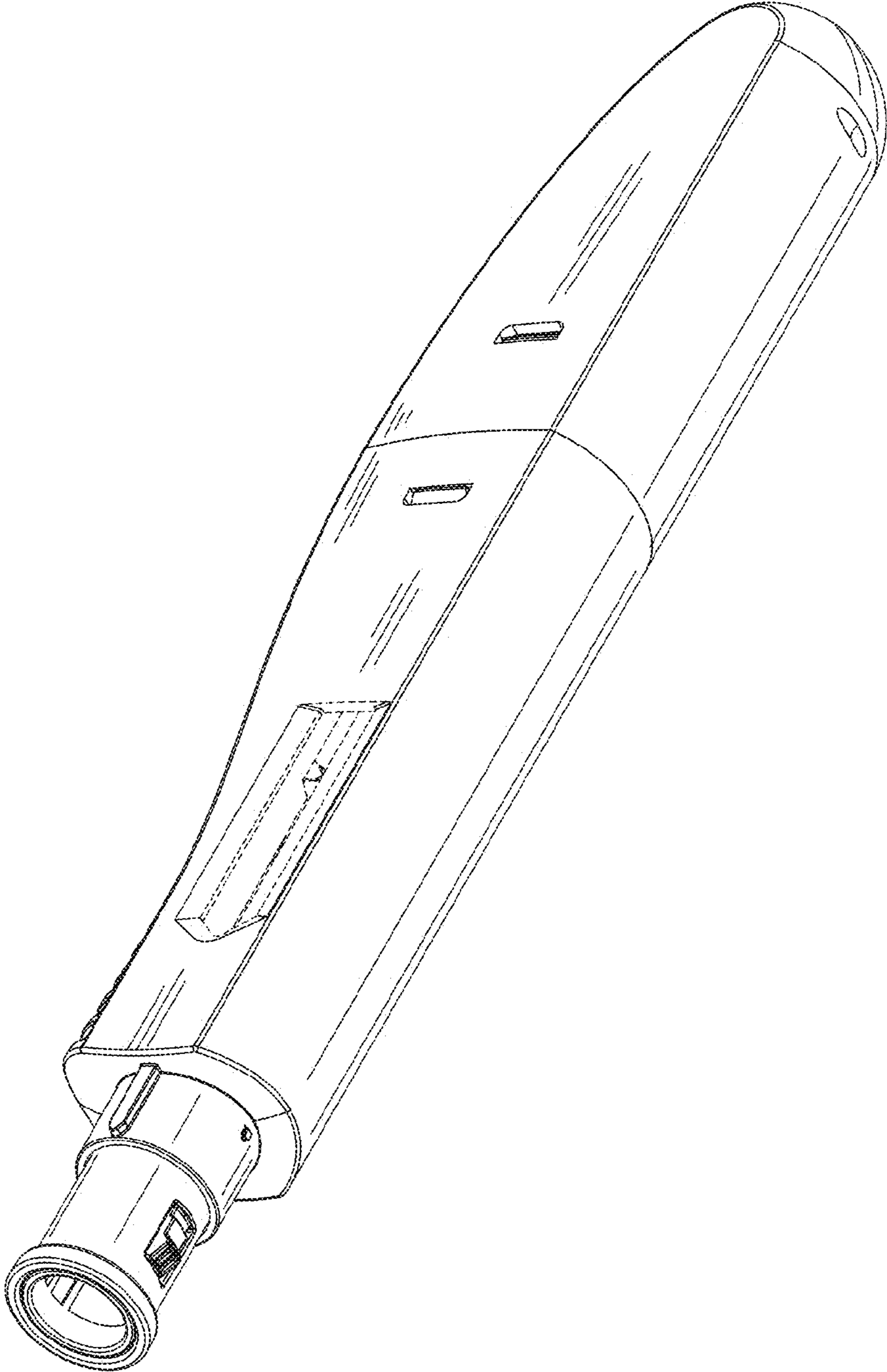


FIG. 15

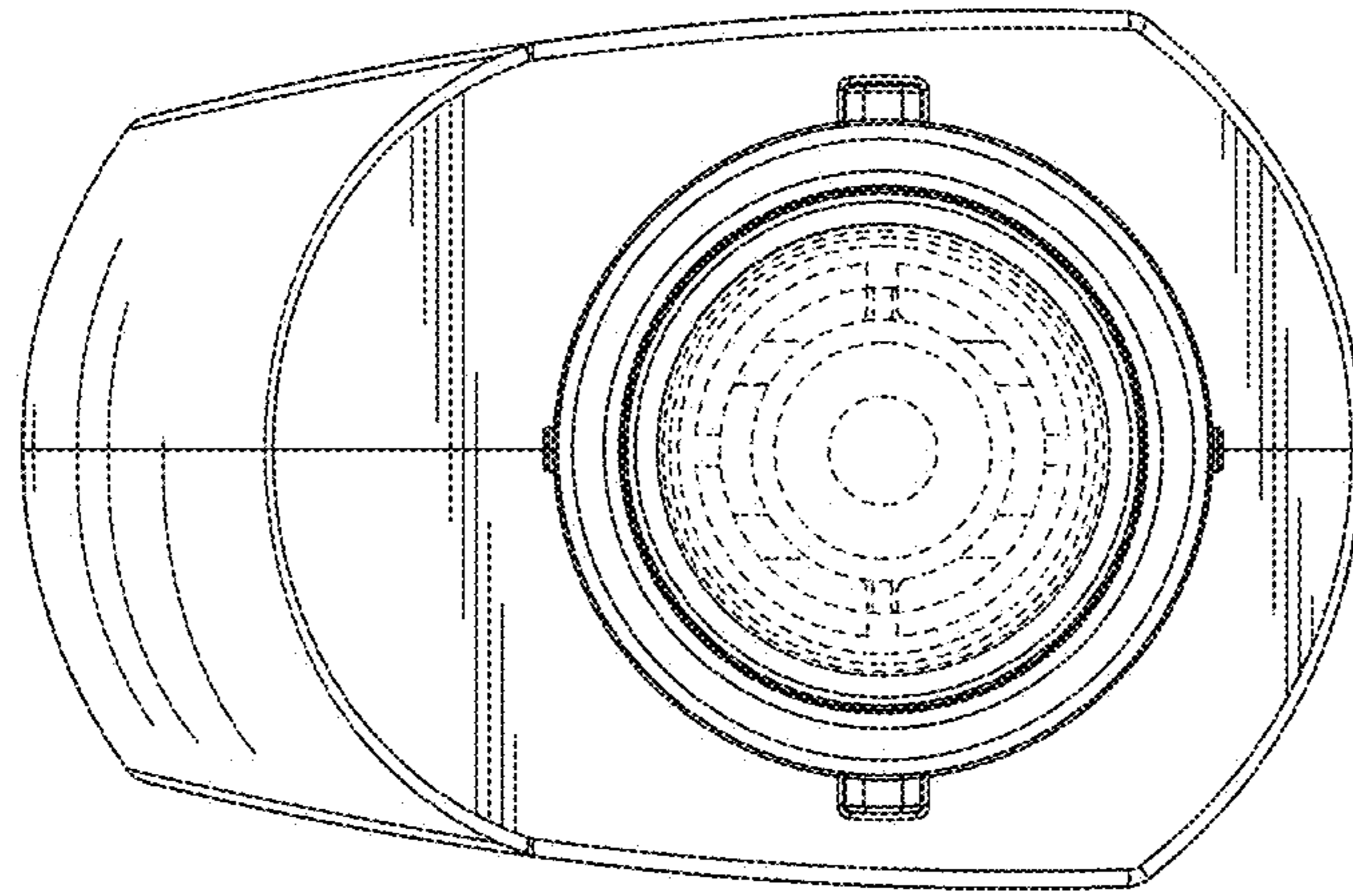


FIG. 16

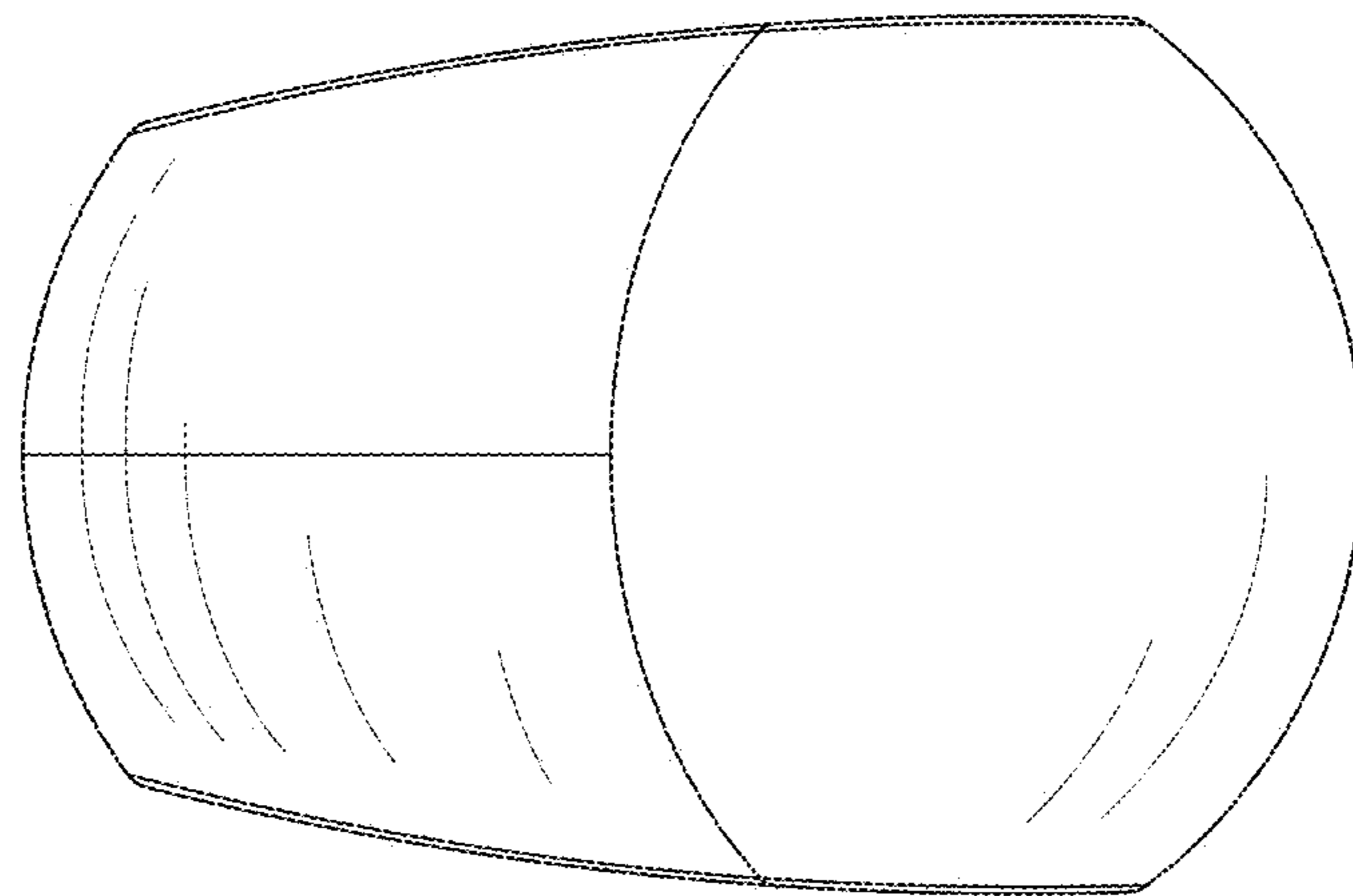


FIG. 17

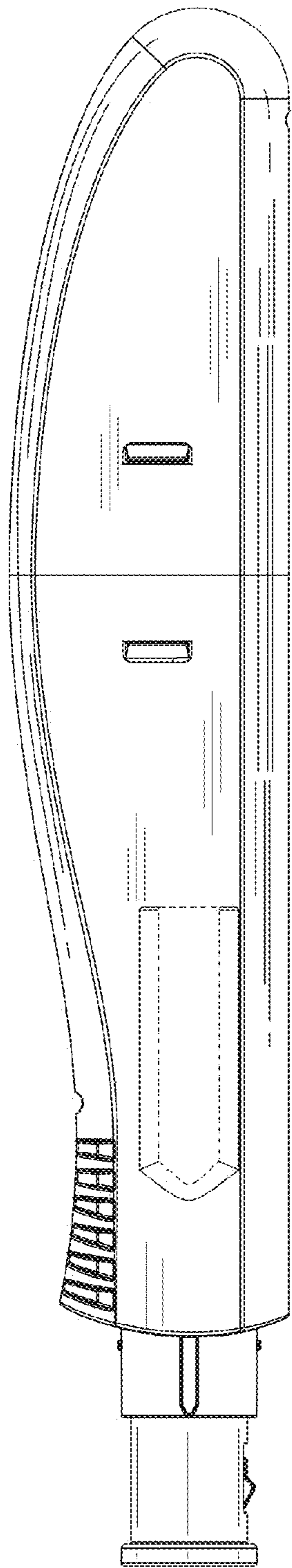


FIG. 18

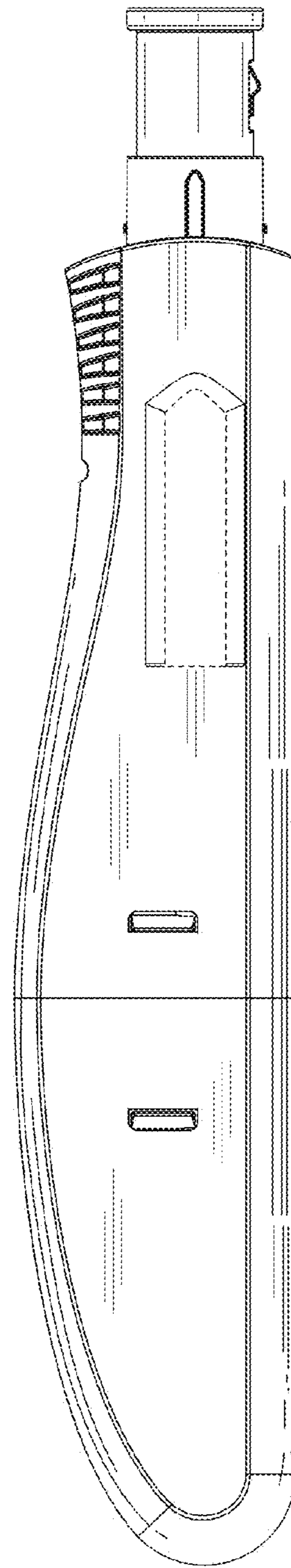


FIG. 19

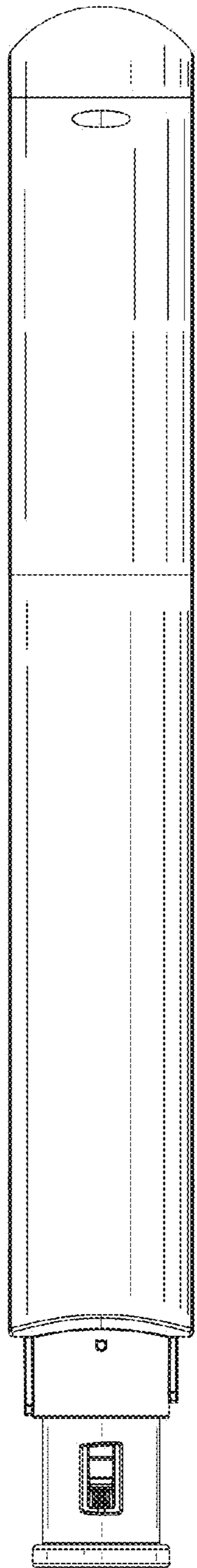


FIG. 20

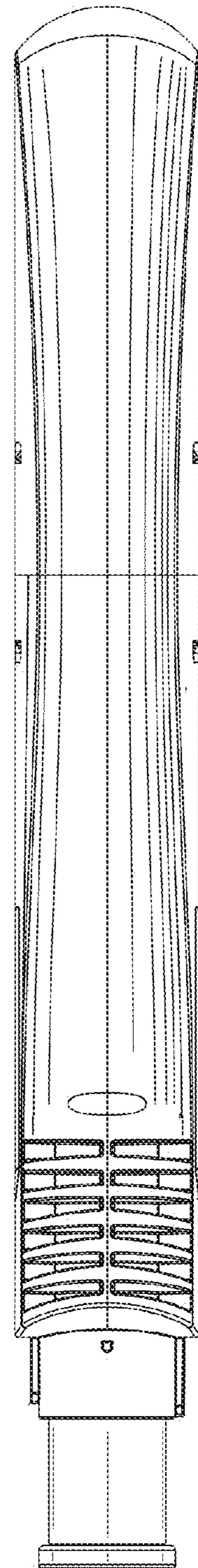


FIG. 21