



US00D753289S

(12) **United States Design Patent**  
**Shimon**

(10) **Patent No.:** **US D753,289 S**  
(45) **Date of Patent:** **\*\* Apr. 5, 2016**

(54) **SHEATH**  
(71) Applicant: **The Spectranetics Corporation,**  
Colorado Springs, CO (US)  
(72) Inventor: **Jeffrey Shimon,** Colorado Springs, CO  
(US)

5,507,751 A 4/1996 Goode et al.  
D373,827 S 9/1996 Polaniec  
D377,526 S 1/1997 Mark  
5,632,749 A 5/1997 Goode et al.  
5,651,781 A 7/1997 Grace  
D386,260 S 11/1997 Polaniec  
5,697,936 A 12/1997 Shipko et al.

(Continued)

(73) Assignee: **The Spectranetics Corporation,**  
Colorado Springs, CO (US)

**FOREIGN PATENT DOCUMENTS**

(\*\*) Term: **14 Years**

EP 1267984 B1 11/2005  
EP 1819390 B1 11/2009

(Continued)

(21) Appl. No.: **29/483,813**

**OTHER PUBLICATIONS**

(22) Filed: **Mar. 3, 2014**

Byrd et al.; Intravascular Lead Extraction Using Locking Stylets and Sheaths; PACE, vol. 13, December, Part II 1990; pp. 1871-1875.

(51) **LOC (10) Cl.** ..... **24-02**

(52) **U.S. Cl.**  
USPC ..... **D24/112**

(Continued)

(58) **Field of Classification Search**  
USPC ..... D24/105, 112, 127, 130, 133, 135, 140,  
D24/152, 205, 222, 228, 231; 600/114, 204,  
600/215; 604/43, 510, 93.01

*Primary Examiner* — Garth Rademaker  
*Assistant Examiner* — Samantha Q Lawrence  
(74) *Attorney, Agent, or Firm* — Faagre Baker Daniels LLP

See application file for complete search history.

(57) **CLAIM**  
The ornamental design for a sheath, as shown and described.

(56) **References Cited**

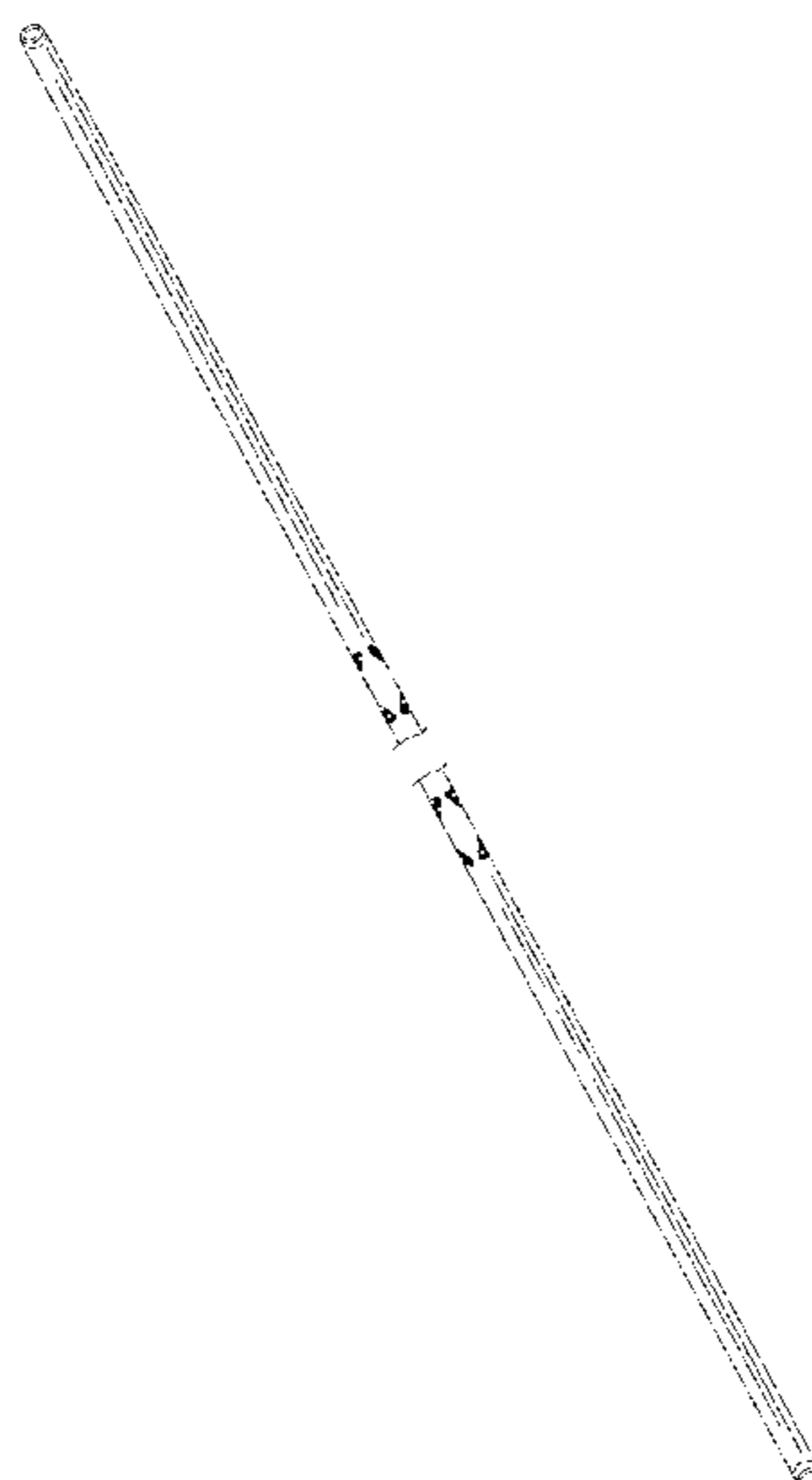
**DESCRIPTION**

**U.S. PATENT DOCUMENTS**

D248,774 S 8/1978 Vallfors  
4,195,624 A \* 4/1980 Douglas ..... 600/114  
4,449,532 A 5/1984 Storz  
4,718,445 A 1/1988 Lundberg et al.  
4,862,891 A 9/1989 Smith  
4,895,564 A 1/1990 Farrell  
5,011,478 A 4/1991 Cope  
5,011,482 A 4/1991 Goode et al.  
5,112,308 A 5/1992 Olsen et al.  
5,290,310 A 3/1994 Makower et al.  
5,292,311 A 3/1994 Cope  
D355,255 S 2/1995 Chou  
5,431,639 A 7/1995 Shaw  
5,484,422 A 1/1996 Sloane, Jr. et al.  
5,499,975 A 3/1996 Cope et al.

FIG. 1 is a perspective view of a sheath showing my new design;  
FIG. 2 is a front view thereof;  
FIG. 3 is a back view thereof;  
FIG. 4 is a left side view thereof;  
FIG. 5 is a right side view thereof;  
FIG. 6 is a top view thereof; and,  
FIG. 7 is a bottom view thereof.  
The sheath is shown with a symbolic break. The appearance of any portion of the sheath between the break lines forms no part of the claimed design.

**1 Claim, 3 Drawing Sheets**



(56)

References Cited

U.S. PATENT DOCUMENTS

D401,698 S 11/1998 Daniels  
 5,980,515 A 11/1999 Tu  
 6,126,592 A \* 10/2000 Proch et al. .... 600/114  
 6,189,574 B1 2/2001 Iwasaki et al.  
 D438,629 S \* 3/2001 Stevens ..... D24/222  
 D443,364 S \* 6/2001 Stevens ..... D24/222  
 6,613,002 B1 9/2003 Clark et al.  
 7,011,648 B2 3/2006 Breskot et al.  
 D541,936 S \* 5/2007 Patterson ..... D24/130  
 7,435,214 B2 \* 10/2008 Kucklick et al. .... 600/125  
 D583,066 S \* 12/2008 Afifyan et al. .... D24/216  
 7,717,951 B2 5/2010 Flagle et al.  
 D627,064 S \* 11/2010 Appelbaum et al. .... D24/130  
 D629,515 S \* 12/2010 Laurence ..... D24/130  
 RE42,525 E 7/2011 Simonson  
 8,206,320 B2 6/2012 Deal et al.  
 D665,076 S \* 8/2012 Sauer et al. .... D24/133  
 D666,712 S \* 9/2012 Laurence ..... D24/130  
 8,298,187 B2 10/2012 Woodard et al.  
 8,480,628 B2 7/2013 Hawkins et al.  
 8,535,293 B2 \* 9/2013 Faherty et al. .... 604/525  
 D727,527 S \* 4/2015 Tao ..... D24/222  
 D731,075 S \* 6/2015 Staton et al. .... D24/222  
 2004/0073088 A1 4/2004 Friedman et al.  
 2005/0070794 A1 3/2005 Deal et al.  
 2005/0137527 A1 6/2005 Kunin  
 2006/0235431 A1 10/2006 Goode et al.  
 2006/0247602 A1 \* 11/2006 Dulak et al. .... 604/523  
 2007/0191708 A1 8/2007 Gerold et al.  
 2008/0154296 A1 6/2008 Taylor et al.  
 2010/0063356 A1 \* 3/2010 Smith ..... 600/114

2011/0208284 A1 8/2011 Hofmann et al.  
 2012/0010471 A1 1/2012 Mire et al.  
 2012/0109177 A1 5/2012 Ulmer  
 2012/0116499 A1 5/2012 Goetzen et al.  
 2013/0090681 A1 4/2013 Young et al.  
 2013/0204342 A1 8/2013 Kasprzak et al.  
 2013/0261565 A1 10/2013 Wong et al.  
 2013/0317481 A1 11/2013 Ellingwood et al.  
 2015/0099930 A1 \* 4/2015 Knapp ..... 600/114

FOREIGN PATENT DOCUMENTS

EP 2089089 B1 8/2010  
 EP 2114319 B1 4/2011  
 EP 2626045 A1 8/2013  
 WO 2007067707 A1 6/2007

OTHER PUBLICATIONS

Byrd et al.; Intravascular Techniques for Extraction of Permanent Pacemaker Leads; The Journal of Thoracic and Cardiovascular Surgery, vol. 101, No. 6, Jun. 1991; pp. 989-997.  
 Byrd et al.; Lead Extraction—Indications and Techniques; Cardiology Clinics, vol. 10, No. 4, Nov. 1992; pp. 735-748.  
 Byrd Dilator Sheaths Telescoping Polypropylene; www.cookmedical.com; publication date unknown, accessed Apr. 28, 2014; Byrd Dilator Sheath available prior to filing date of present application.  
 International Search Report and Written Opinion issued in PCT/US2015/017514, mailed Jun. 19, 2015, 12 pages.  
 U.S. Appl. No. 14/195,692 entitled Dilator Sheath Set filed Mar. 3, 2014.  
 U.S. Appl. No. 29/483,815 entitled Sheath Set filed Mar. 3, 2014.

\* cited by examiner

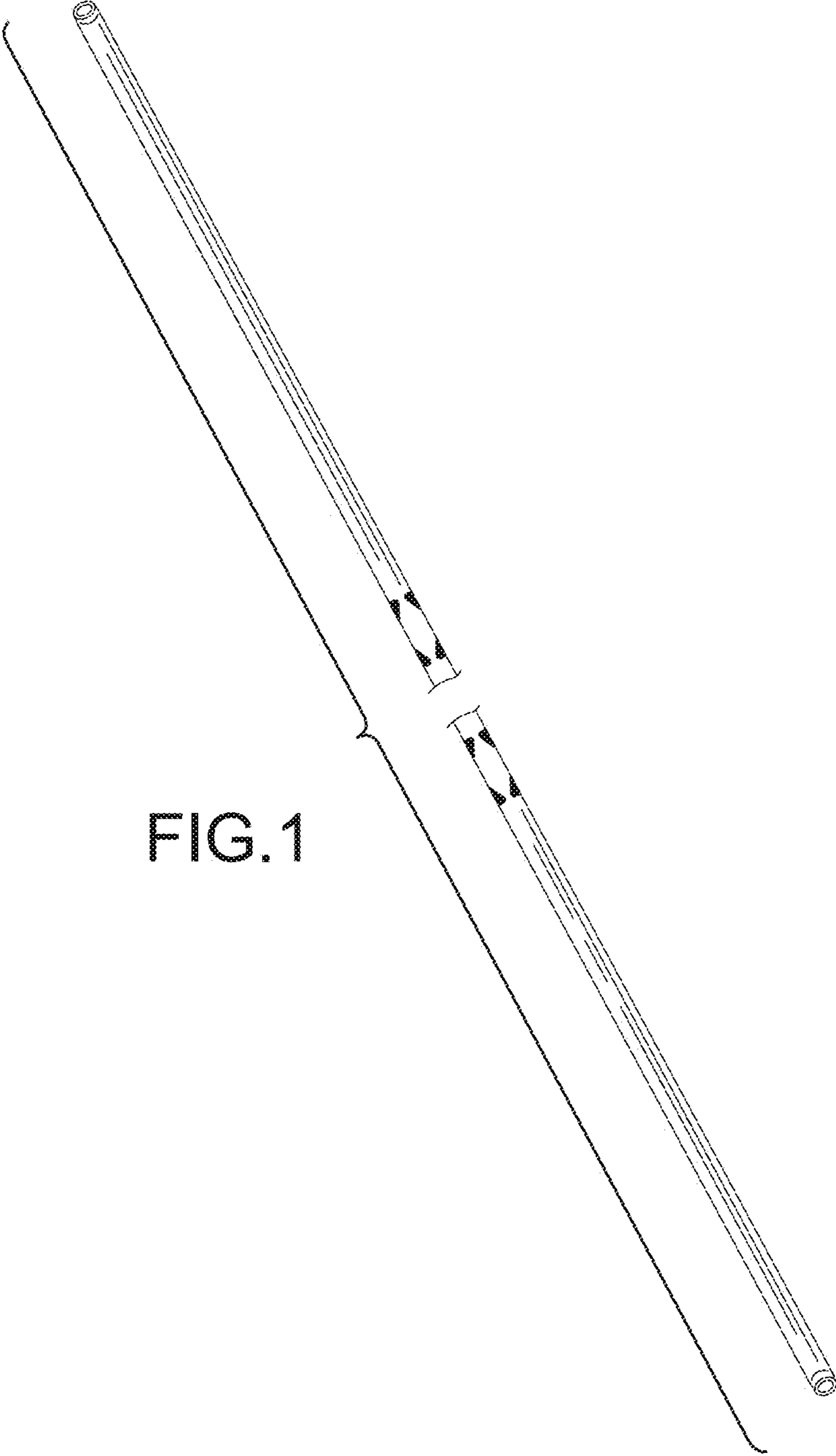


FIG. 1



FIG. 2

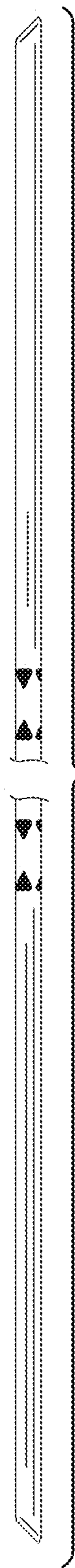


FIG. 3



FIG.4

FIG.5



FIG.6

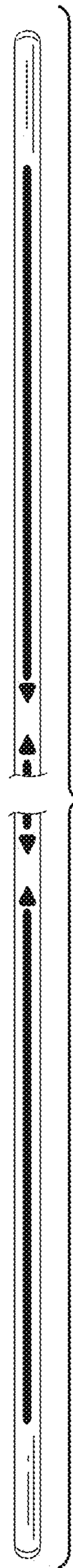


FIG.7