



US00D753288S

(12) **United States Design Patent**  
**Vallotton et al.**

(10) **Patent No.:** **US D753,288 S**  
(45) **Date of Patent:** **\*\* Apr. 5, 2016**

(54) **BASE PORT FOR CONTAINERS FOR  
CLINICAL APPLICATION INTENDED FOR  
THE ADMINISTRATION OF DRUGS AND  
FEEDS**

(71) Applicant: **B. Braun Melsungen AG**, Melsungen  
(DE)

(72) Inventors: **Raphael Vallotton**, Vevey/VD (CH);  
**Michel Pittet**, Aumont/FR (CH)

(73) Assignee: **B. Braun Melsungen AG** (DE)

(\*\*) Term: **14 Years**

(21) Appl. No.: **29/474,469**

(22) Filed: **Sep. 29, 2014**

(30) **Foreign Application Priority Data**

Mar. 27, 2014 (EM) ..... 002434472

(51) **LOC (10) Cl.** ..... **24-02**

(52) **U.S. Cl.**  
USPC ..... **D24/112**

(58) **Field of Classification Search**

USPC ..... D24/112-114, 108, 130, 127, 133, 186;  
606/181, 185; 604/264, 523-528, 272,  
604/164.01-164.11, 187, 93.01; 600/101,  
600/139, 143; 128/200.24, 207.14, 207.15  
CPC ..... A61M 25/00; A61M 25/065; A61M 5/42;  
A61M 25/0612; A61M 39/00; A61M 27/00;  
A61M 25/0043; A61M 25/0067; A61M  
25/0097; A61F 2/958

See application file for complete search history.

(56) **References Cited**

**U.S. PATENT DOCUMENTS**

4,640,273 A \* 2/1987 Greene ..... A61B 1/24  
128/207.14

D497,426 S \* 10/2004 Hirsch ..... D24/108  
D508,996 S \* 8/2005 Baughman ..... D24/135  
D606,191 S \* 12/2009 Bellifemine ..... D24/133  
D660,969 S \* 5/2012 Baughman ..... D24/181  
D682,415 S \* 5/2013 Mogensen ..... D24/108  
D682,422 S \* 5/2013 Anderson ..... D24/130  
D683,451 S \* 5/2013 Todd ..... D24/118  
D687,950 S \* 8/2013 Gitman ..... D24/133  
D692,555 S \* 10/2013 Maksym ..... D24/110  
8,555,886 B2 \* 10/2013 Colman ..... A61B 1/00154  
128/200.26  
D699,841 S \* 2/2014 Lombardi, III ..... D24/129  
D711,530 S \* 8/2014 Gleason, Jr. .... D24/112

\* cited by examiner

*Primary Examiner* — David Muller

(74) *Attorney, Agent, or Firm* — David C. Purdue

(57) **CLAIM**

The ornamental design for a base port for containers for clinical application intended for the administration of drugs and feeds, as shown and described.

**DESCRIPTION**

FIG. 1 is a perspective view of a base port for containers for clinical application intended for the administration of drugs and feeds showing our new design;

FIG. 2 is a right side view thereof, the left side view being identical;

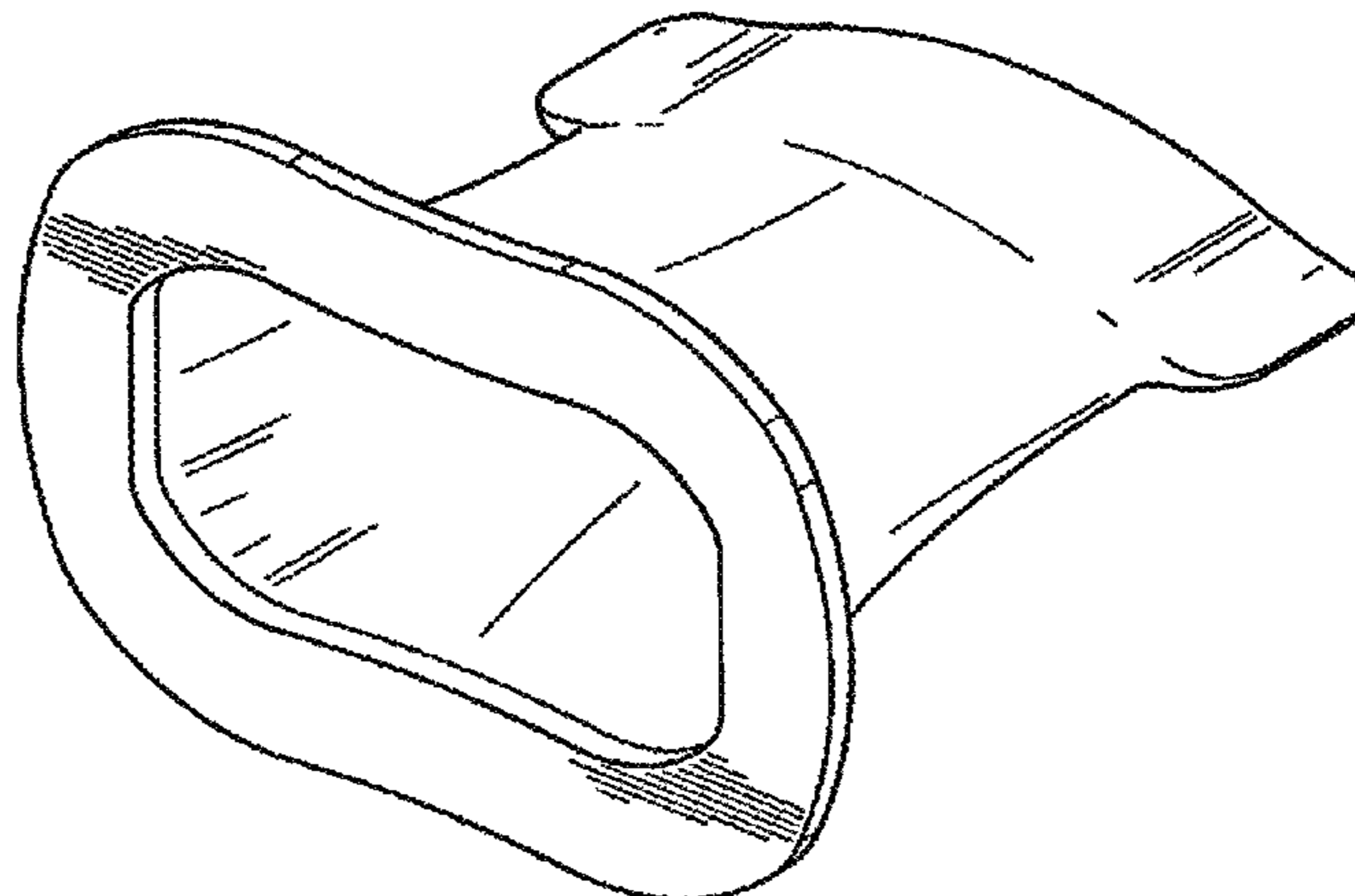
FIG. 3 is a top view thereof;

FIG. 4 is a rear view thereof, the front view being identical;

FIG. 5 is a bottom view thereof; and,

FIG. 6 is a second perspective view thereof.

**1 Claim, 3 Drawing Sheets**



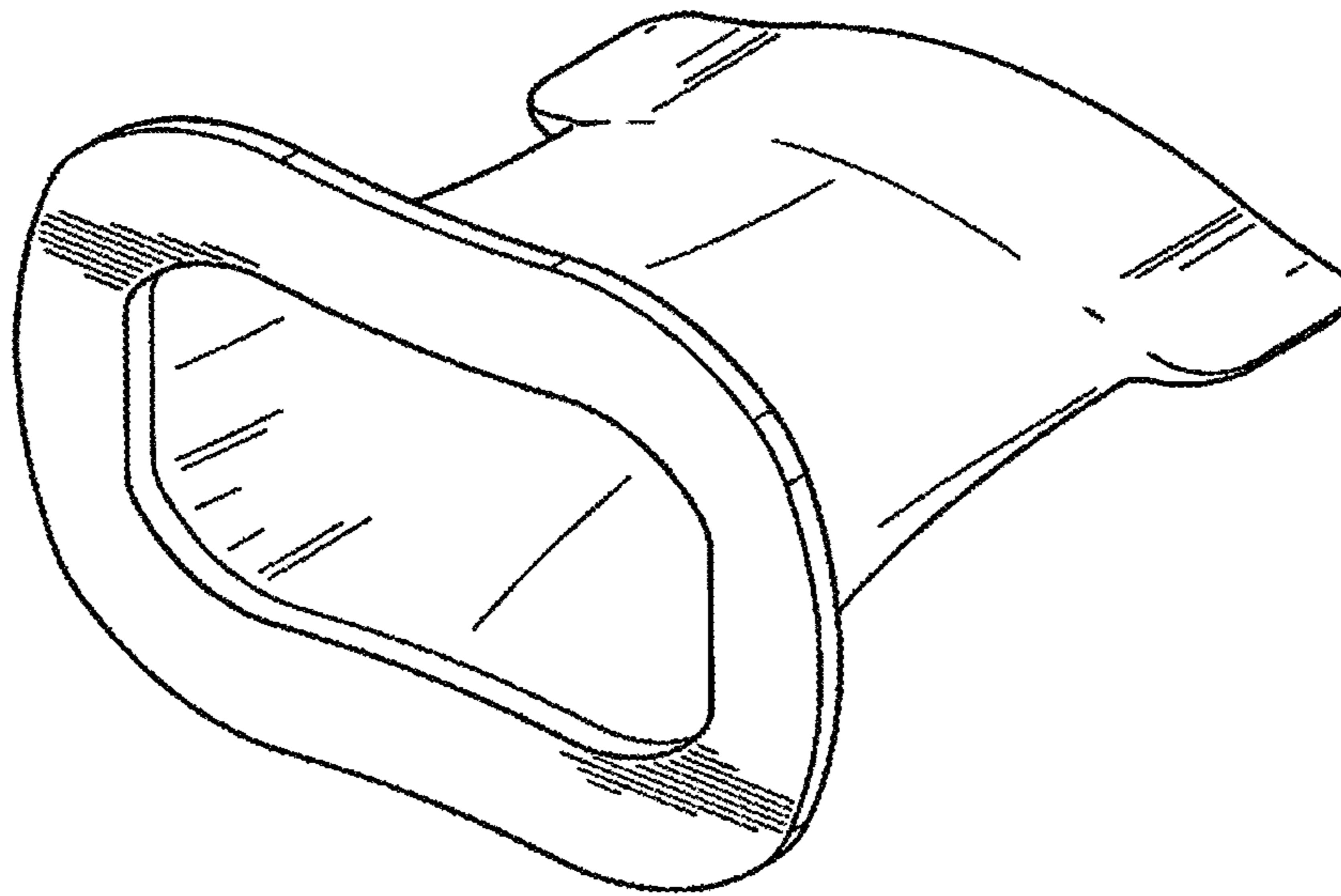


FIG. 1

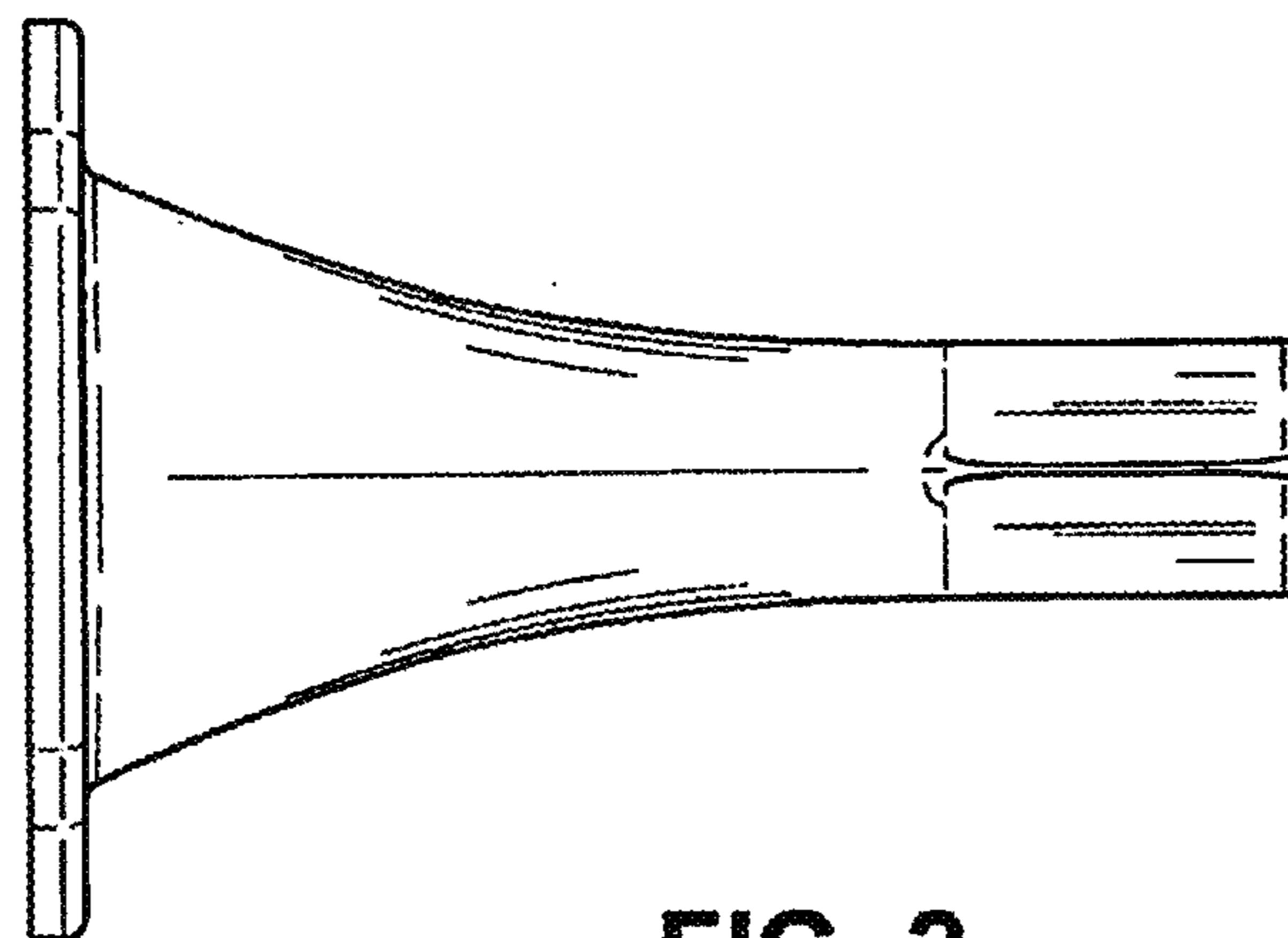


FIG. 2

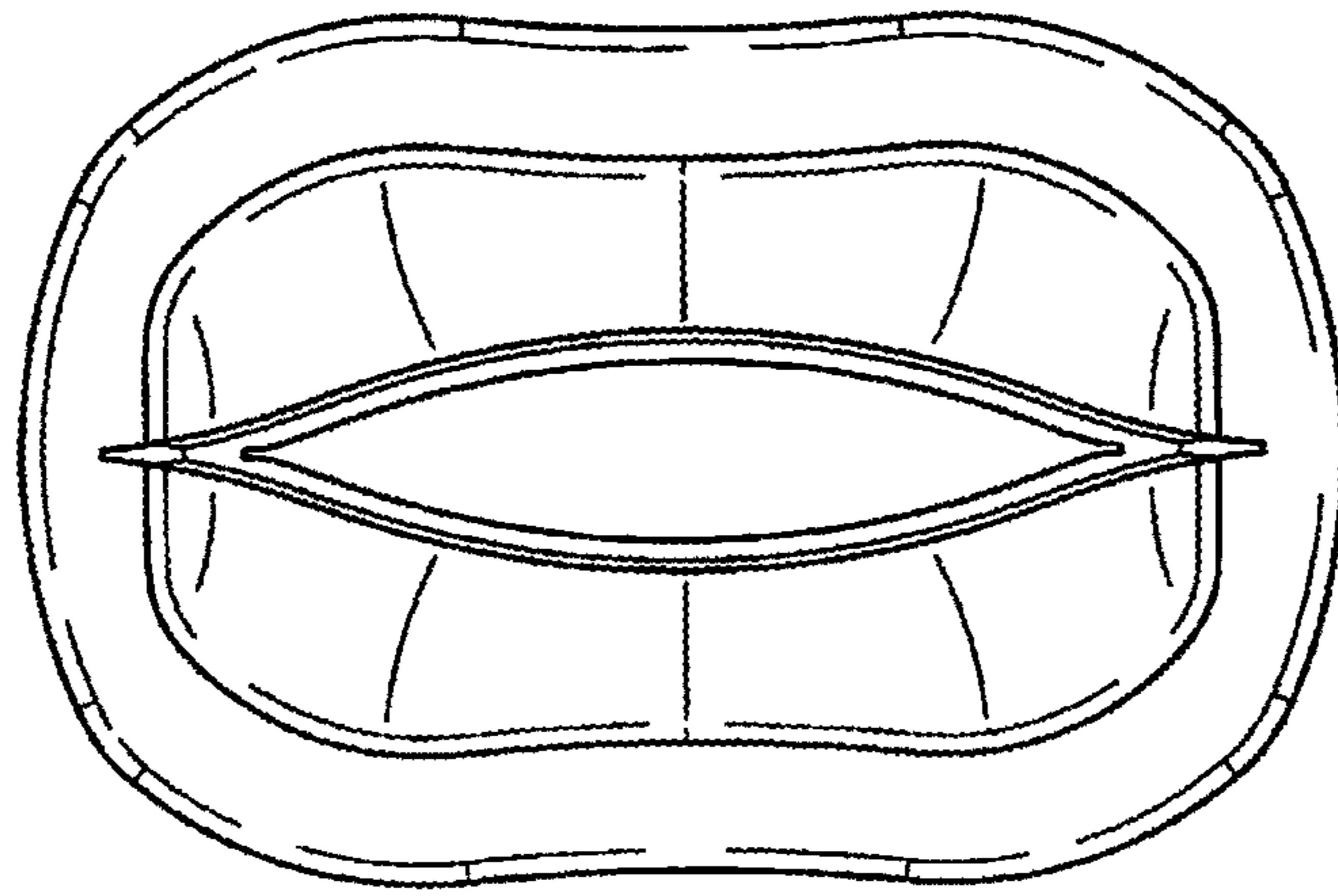


FIG. 3

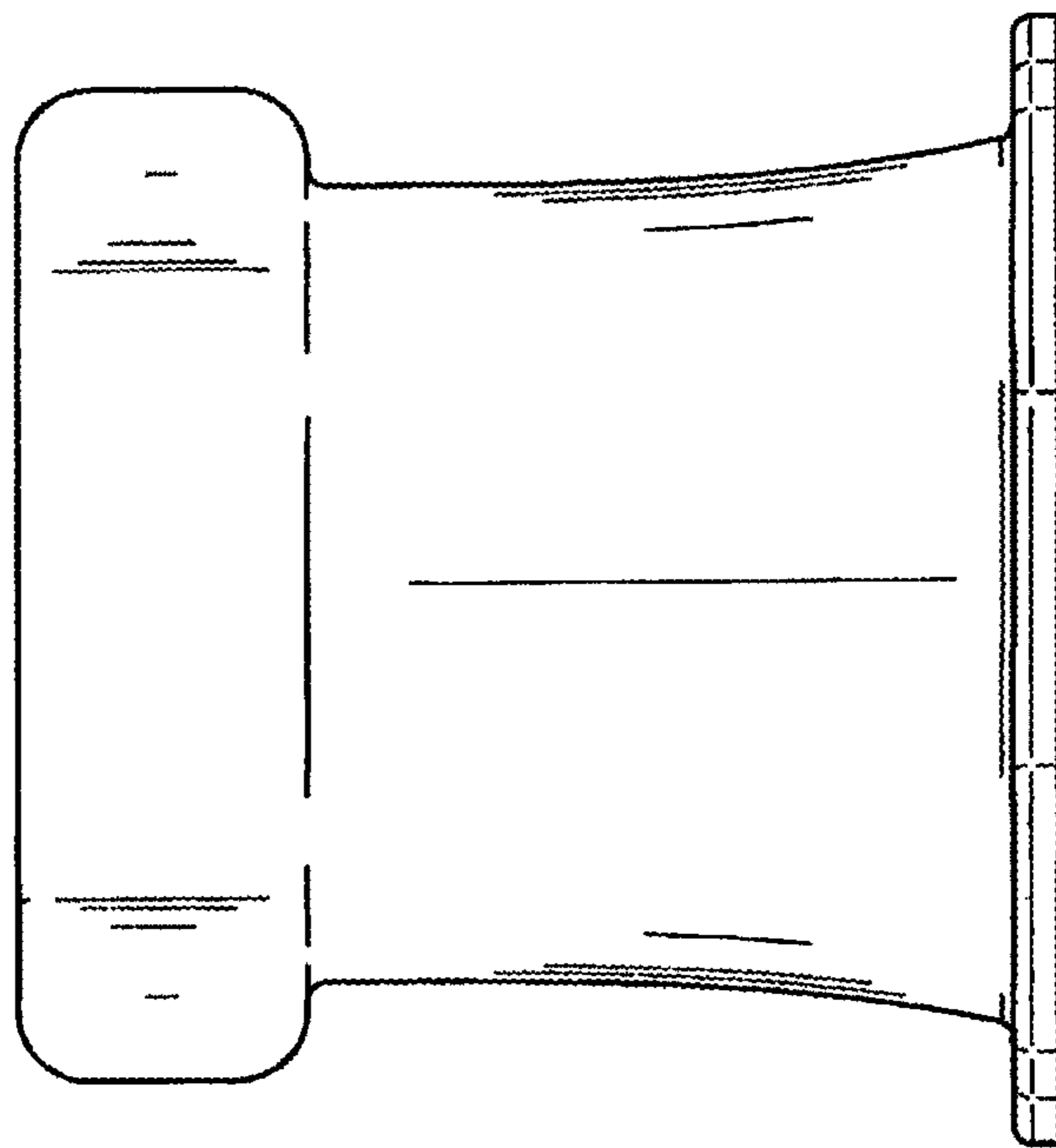
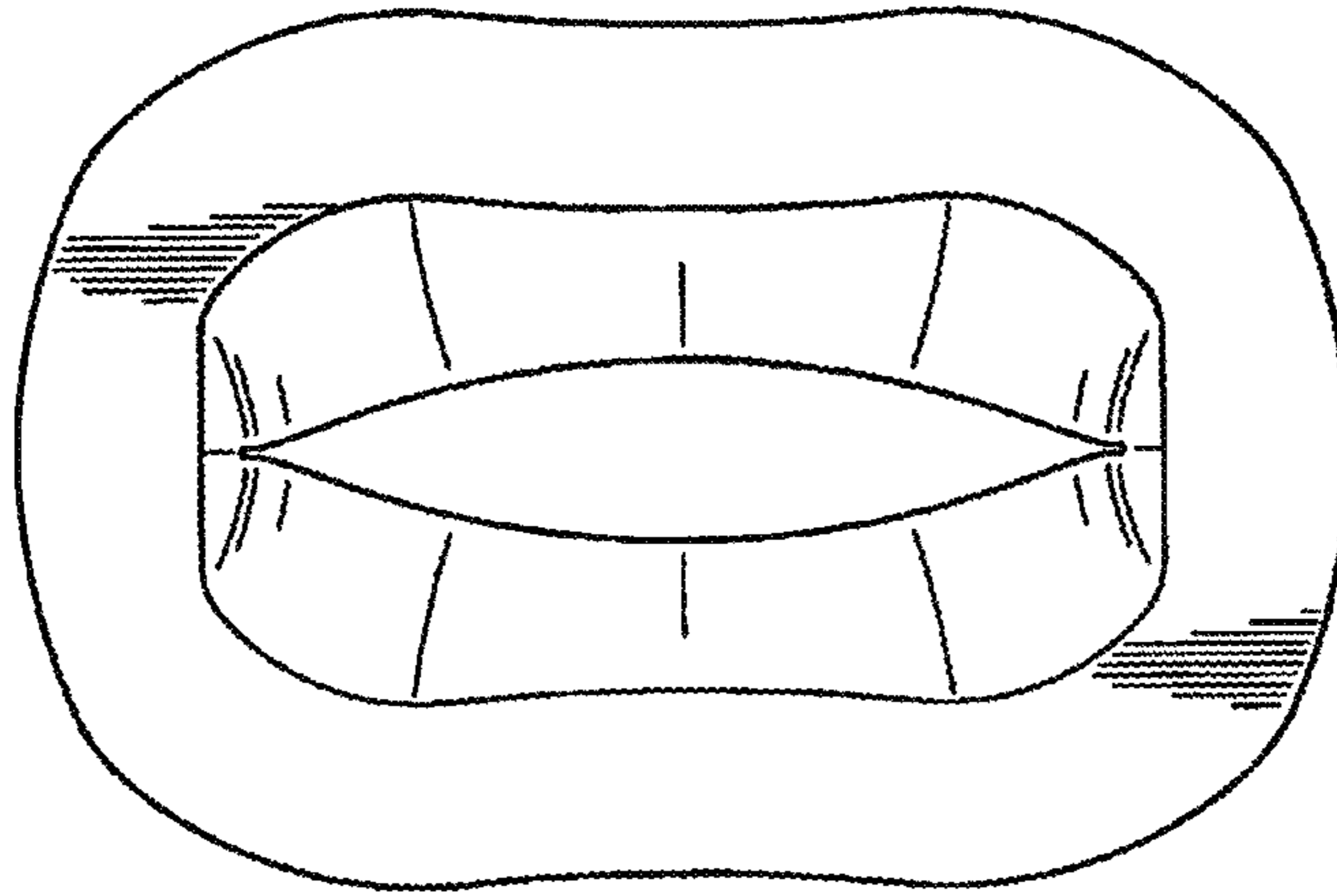
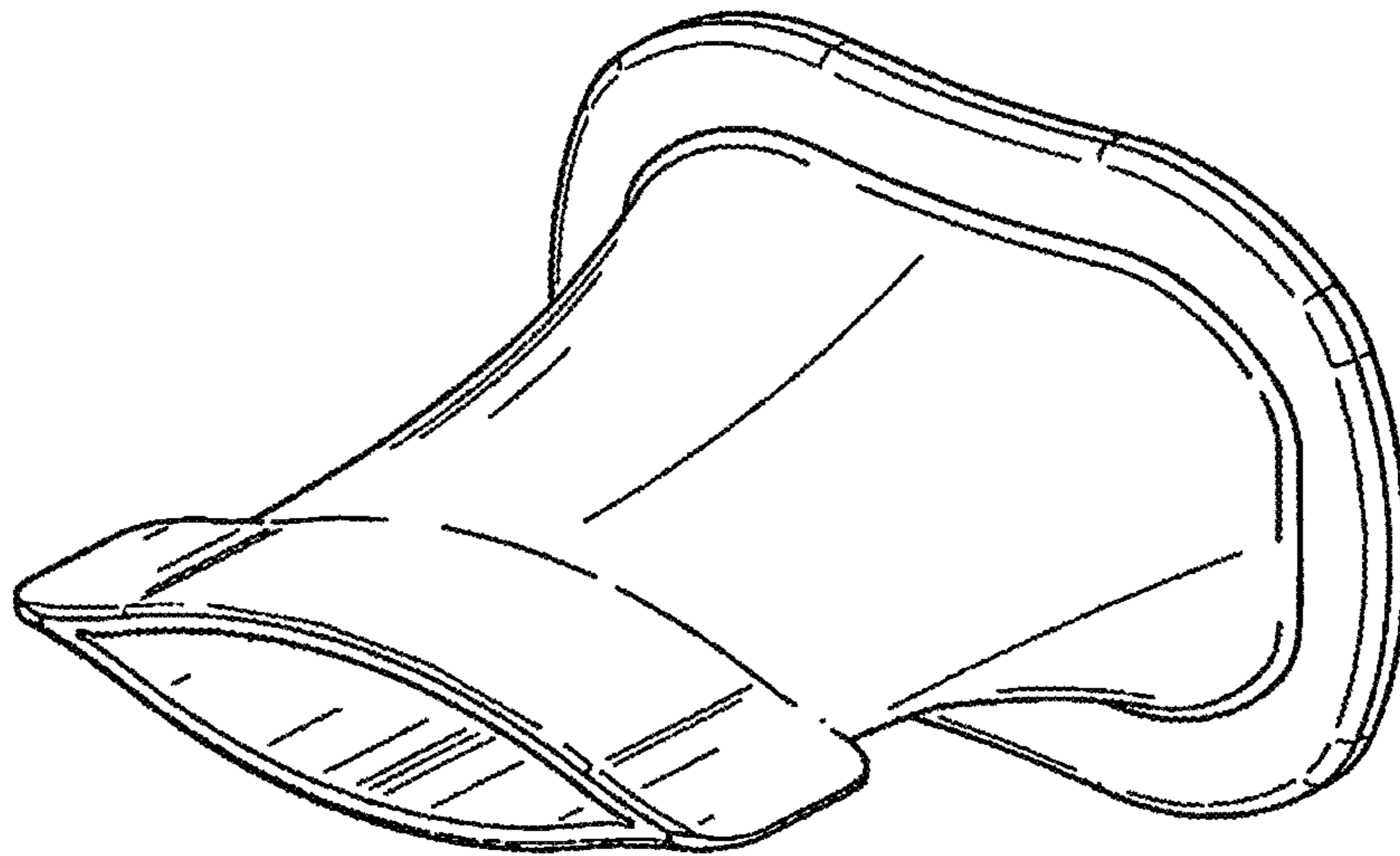


FIG. 4



**FIG. 5**



**FIG. 6**