



US00D753287S

(12) **United States Design Patent**
Darab

(10) **Patent No.:** **US D753,287 S**

(45) **Date of Patent:** **** *Apr. 5, 2016**

(54) **FACE MASK FOR ADMINISTRATION OF GASEOUS ANESTHESIA**

(71) Applicant: **David J. Darab**, Hickory, NC (US)

(72) Inventor: **David J. Darab**, Hickory, NC (US)

(73) Assignee: **Anesthesia Innovators, LLC**, Charlotte, NC (US)

(*) Notice: This patent is subject to a terminal disclaimer.

(**) Term: **14 Years**

(21) Appl. No.: **29/450,718**

(22) Filed: **Mar. 21, 2013**

(51) **LOC (10) Cl.** **29-02**

(52) **U.S. Cl.**
USPC **D24/110.4**

(58) **Field of Classification Search**

USPC D24/110-110.6; 128/206.12, 206.23, 128/206.24, 206.28, 205.27, 201.17, 201.22

CPC A61M 16/0622; A61M 16/0616; A61M 16/0816; A61M 16/08; A61M 16/0633; A61M 16/06; A61M 16/0666; A61M 2210/0618; A61M 16/0683

See application file for complete search history.

(56) **References Cited**

U.S. PATENT DOCUMENTS

2,666,432	A *	1/1954	Stanton	128/206.26
D258,994	S *	4/1981	Grane	D24/110.4
D293,613	S *	1/1988	Wingler	D24/110.1
4,799,477	A *	1/1989	Lewis	128/206.24
4,807,617	A *	2/1989	Nesti	128/205.12
D300,473	S *	3/1989	Roush	D24/110.4
D302,746	S *	8/1989	Shirley	D24/110.4
D305,166	S *	12/1989	Quinn et al.	D24/110.4
D321,419	S *	11/1991	Wallace	D24/110.4
5,746,201	A *	5/1998	Kidd	128/206.24
D402,755	S *	12/1998	Kwok	D24/110.4
5,937,851	A *	8/1999	Serowski et al.	128/202.27
D428,987	S *	8/2000	Kwok	D24/110.1

D435,650	S *	12/2000	Kwok	D24/110.1
6,543,446	B1 *	4/2003	Christopher	128/200.26
D499,803	S *	12/2004	Chang	D24/110.4
7,243,649	B2	7/2007	Moening et al.	
7,243,652	B2 *	7/2007	Chang	128/206.26
D582,031	S *	12/2008	Sorensen et al.	D24/110.4
D598,537	S *	8/2009	Nashed	D24/110.1
D615,643	S *	5/2010	Nashed	D24/110.1
D625,405	S *	10/2010	Nashed	D24/110.1
7,909,035	B2 *	3/2011	Thornton	128/206.21
D658,284	S *	4/2012	Nashed	D24/110.1
8,393,324	B1 *	3/2013	Saad	128/206.21
D695,888	S *	12/2013	Darab	D24/110.4
D697,202	S *	1/2014	Nashed	D24/110.1
2002/0134388	A1 *	9/2002	Chang	128/206.21
2003/0168063	A1 *	9/2003	Gambone et al.	128/203.16
2003/0172932	A1 *	9/2003	Matic	128/206.24
2005/0139220	A1 *	6/2005	Christopher	128/207.14
2006/0207600	A1 *	9/2006	Burrow et al.	128/207.11
2007/0006882	A1 *	1/2007	Chang	128/205.24
2007/0295335	A1 *	12/2007	Nashed	128/206.24
2008/0295845	A1 *	12/2008	Nashed	128/206.26
2010/0122705	A1 *	5/2010	Moening, Jr.	128/206.24
2010/0122706	A1 *	5/2010	Moening, Jr.	128/206.24
2010/0199996	A1 *	8/2010	Fu	128/206.21
2010/0275919	A1 *	11/2010	Sung	128/204.22
2011/0083670	A1 *	4/2011	Walacavage	128/205.12
2013/0060157	A1 *	3/2013	Beard	600/532
2014/0076311	A1 *	3/2014	Darab	128/203.12
2014/0150799	A1 *	6/2014	Daly	128/206.25
2015/0075532	A1 *	3/2015	Patel	128/206.24

* cited by examiner

OTHER PUBLICATIONS

Safe Sedate®, "Dental Nasal Mask Instructions" Med-Dent Safety and Supply Company, pp. 1-4 printed Nov. 19, 2012.

Primary Examiner — Deanna L Pratt

Assistant Examiner — Lilyana Bekic

(74) *Attorney, Agent, or Firm* — McDonnell Boehnen Hulbert & Berghoff

(57) **CLAIM**

The ornamental design for the face mask for administration of gaseous anesthesia, as shown and described.

DESCRIPTION

FIG. 1 is a perspective view of a first embodiment of a face mask for administration of gaseous anesthesia of the invention with the cap removed;

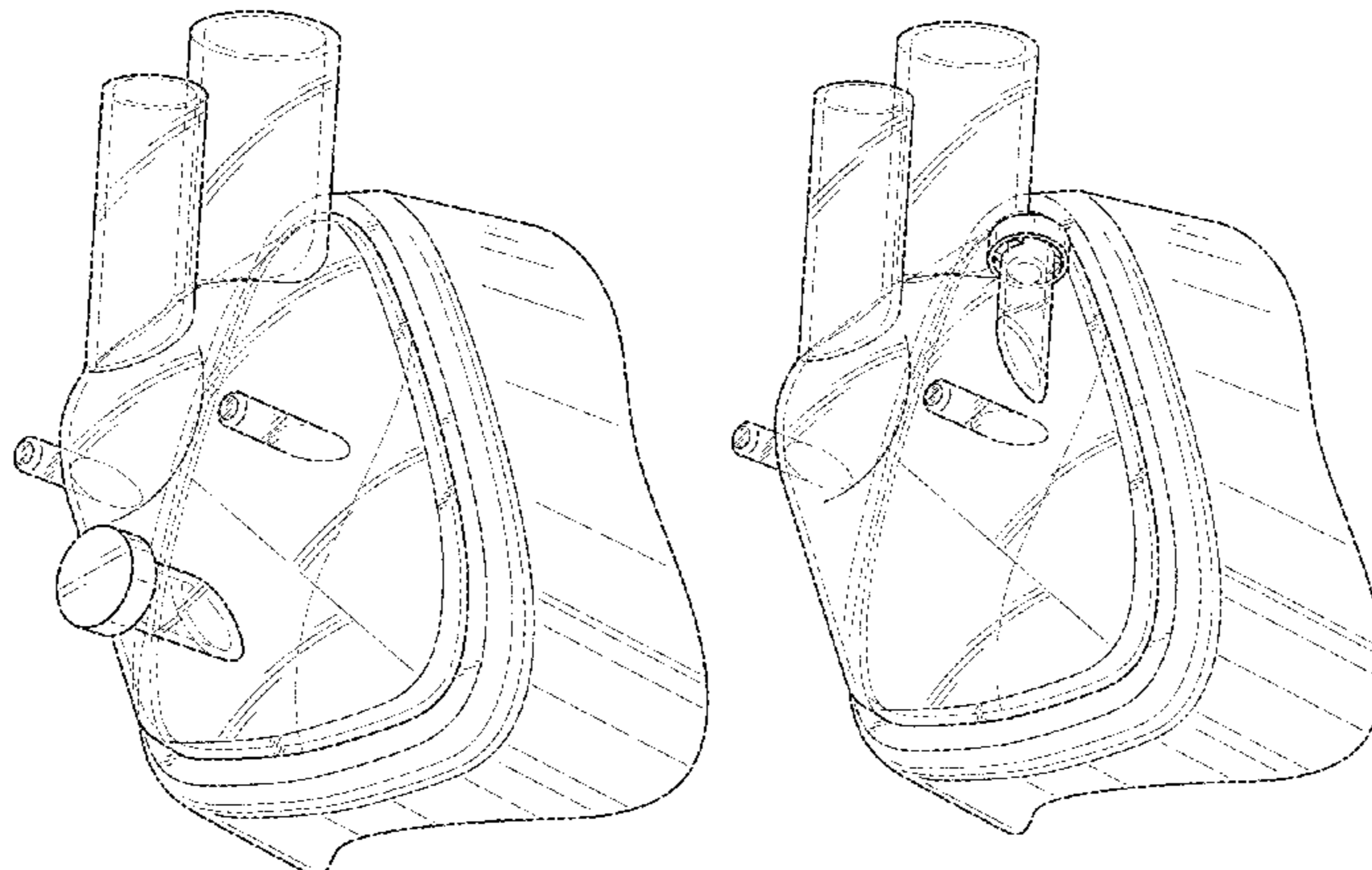


FIG. 2 is a front elevation view of the first embodiment of the present invention with the cap removed;
FIG. 3 is a rear elevation view of the first embodiment of the invention with the cap removed;
FIG. 4 is a right side elevation view of the first embodiment of the invention with the cap removed;
FIG. 5 is a left side elevation view of the first embodiment of the invention with the cap removed;
FIG. 6 is a top plan view of the first embodiment of the present invention with the cap removed;
FIG. 7 is a bottom plan view of the first embodiment of the invention with the cap removed;
FIG. 8 is a perspective view of the first embodiment of the invention with the cap removed, showing the face mask attached to connections to a gas source and a gas removal system, and further showing a means for securing the face mask to an individual;
FIG. 9 is a perspective view of the first embodiment of the invention with the cap installed;
FIG. 10 is a front elevation view of the first embodiment of the invention with the cap installed;
FIG. 11 is a rear elevation view of the first embodiment of the invention with the cap installed;
FIG. 12 is a right side elevation view of the first embodiment of the invention with the cap installed;
FIG. 13 is a left side elevation view of the first embodiment of the invention with the cap installed;
FIG. 14 is a top plan view of the first embodiment of the invention with the cap installed;
FIG. 15 is a bottom plan view of the first embodiment of the invention with the cap installed;
FIG. 16 is a perspective view of the first embodiment of the invention with the cap installed, showing the face mask attached to connections to a gas source and a gas removal system, and further showing a means for securing the face mask to an individual;
FIG. 17 is a perspective view of a second embodiment of a face mask for administration of gaseous anesthesia of the invention with the cap removed;
FIG. 18 is a front elevation view of the second embodiment of the invention with the cap removed;
FIG. 19 is a rear elevation view of the second embodiment of the invention with the cap removed;
FIG. 20 is a left side elevation view of the second embodiment of the invention with the cap removed;
FIG. 21 is a top plan view of the second embodiment of the invention with the cap removed;

FIG. 22 is a bottom plan view of the second embodiment of the invention with the cap removed;
FIG. 23 is a perspective view of the second embodiment of the invention, showing the face mask attached to connections to a gas source and a gas removal system with the cap removed, and further showing a means for securing the face mask to an individual;
FIG. 24 is a perspective view of the second embodiment of the invention with the cap installed;
FIG. 25 is a front elevation view of the second embodiment of the invention with the cap installed;
FIG. 26 is a rear elevation view of the second embodiment of the invention with the cap installed;
FIG. 27 is a left side view of the second embodiment of the invention with the cap installed;
FIG. 28 is a top plan view of the second embodiment of the invention with the cap installed;
FIG. 29 is a bottom plan view of the second embodiment of the invention with the cap installed;
FIG. 30 is a perspective view of the second embodiment of the invention, showing the face mask attached to connections to a gas source and a gas removal system with the cap installed and further showing a means for securing the face mask to an individual;
FIG. 31 is a front elevation view of a third embodiment of a face mask for administration of gaseous anesthesia of the invention with the cap removed;
FIG. 32 is a rear elevation view of the third embodiment of the invention with the cap removed;
FIG. 33 is a right side view of the third embodiment of the invention with the cap removed;
FIG. 34 is a top plan view of the third embodiment of the invention with the cap removed;
FIG. 35 is a bottom plan view of the third embodiment of the invention with the cap removed;
FIG. 36 is a front elevation view of the third embodiment of the invention with the cap installed;
FIG. 37 is a rear elevation view of the third embodiment of the invention with the cap installed;
FIG. 38 is a right side view of the third embodiment of the invention with the cap installed;
FIG. 39 is a top plan view of the third embodiment of the invention with the cap installed; and,
FIG. 40 is a bottom plan view of the third embodiment of the invention with the cap installed.

The broken line showing the strap and tubing illustrates the environment of the claimed design and forms no part thereof.

1 Claim, 40 Drawing Sheets

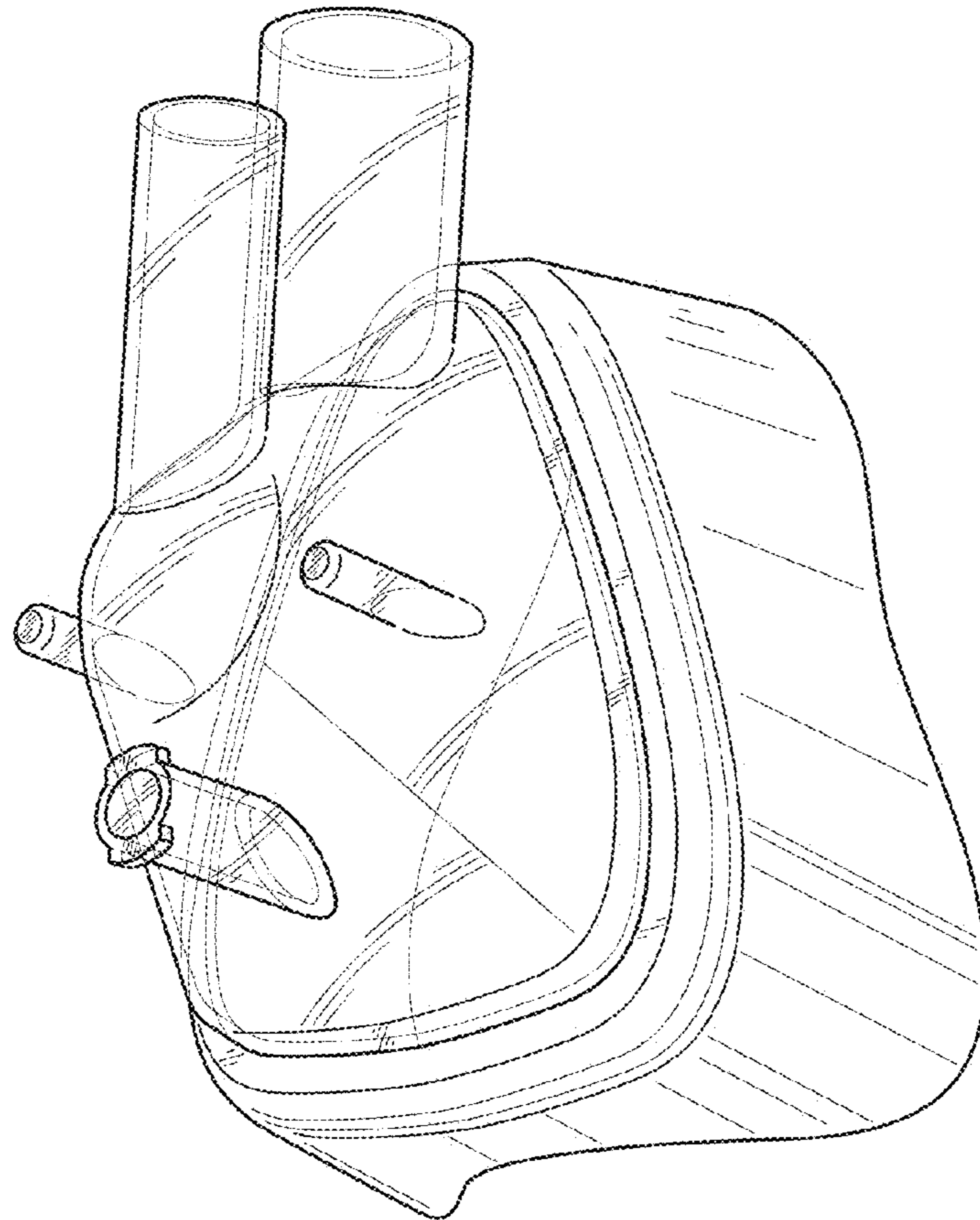


FIG. 1

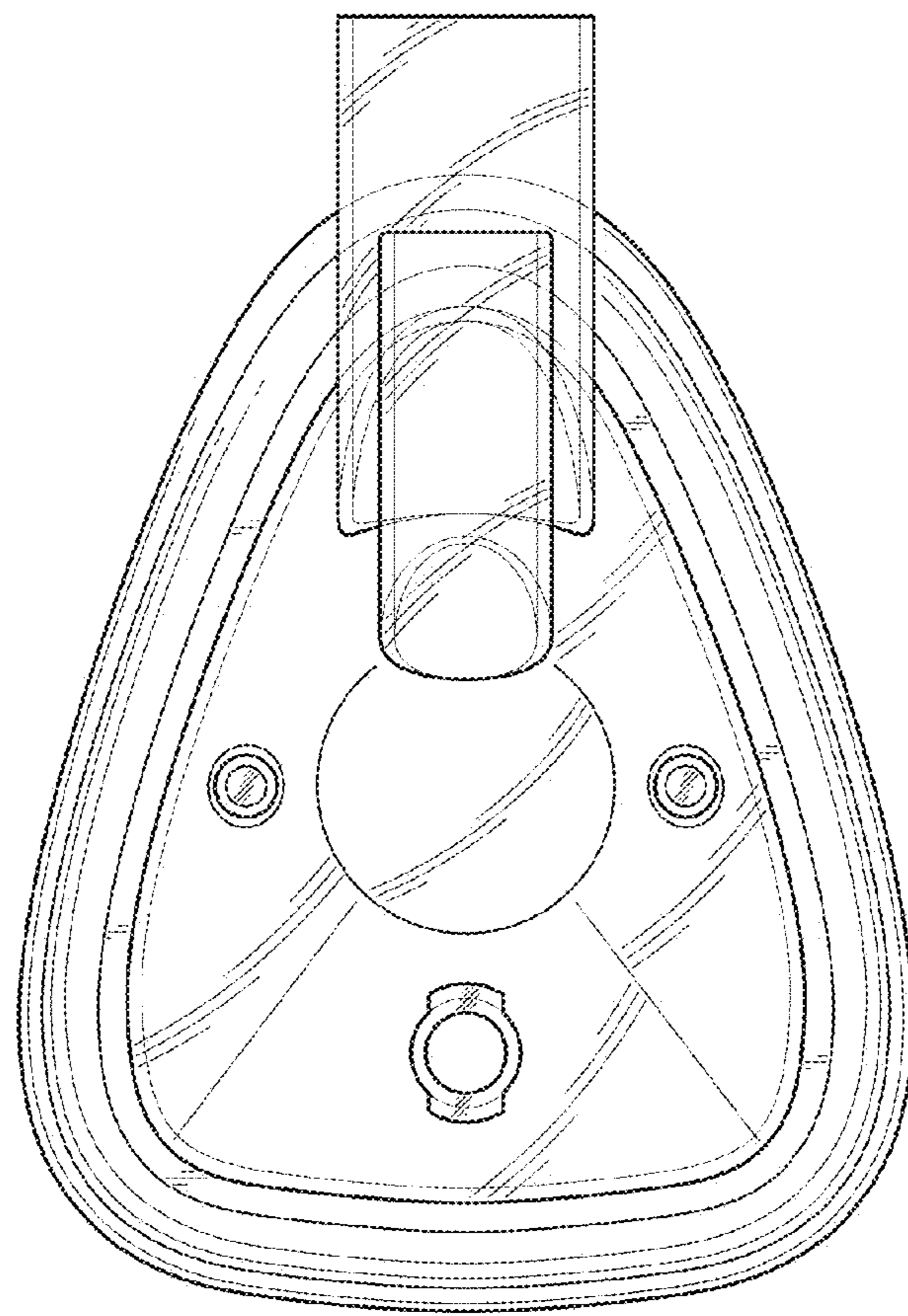


FIG. 2

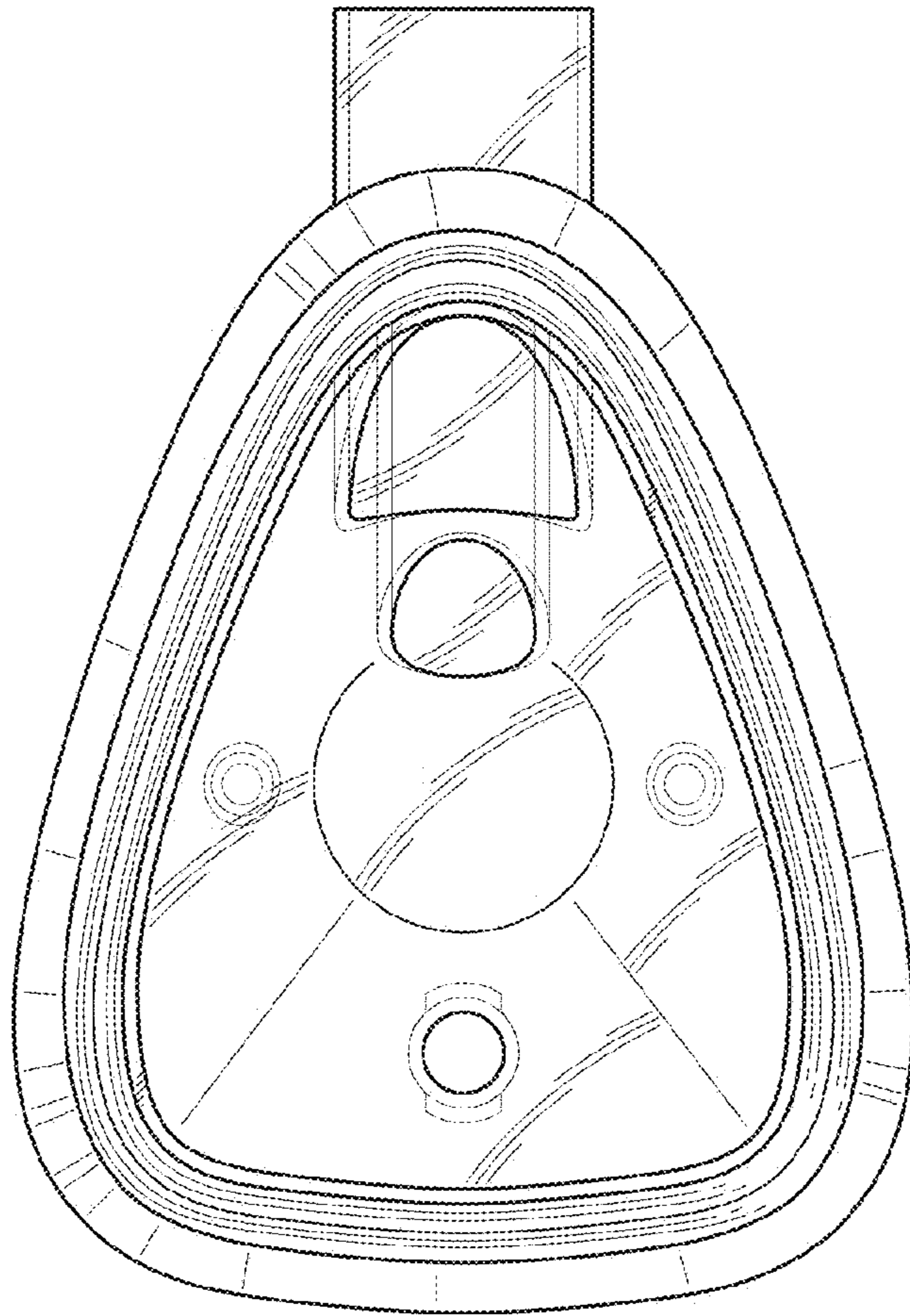


FIG. 3

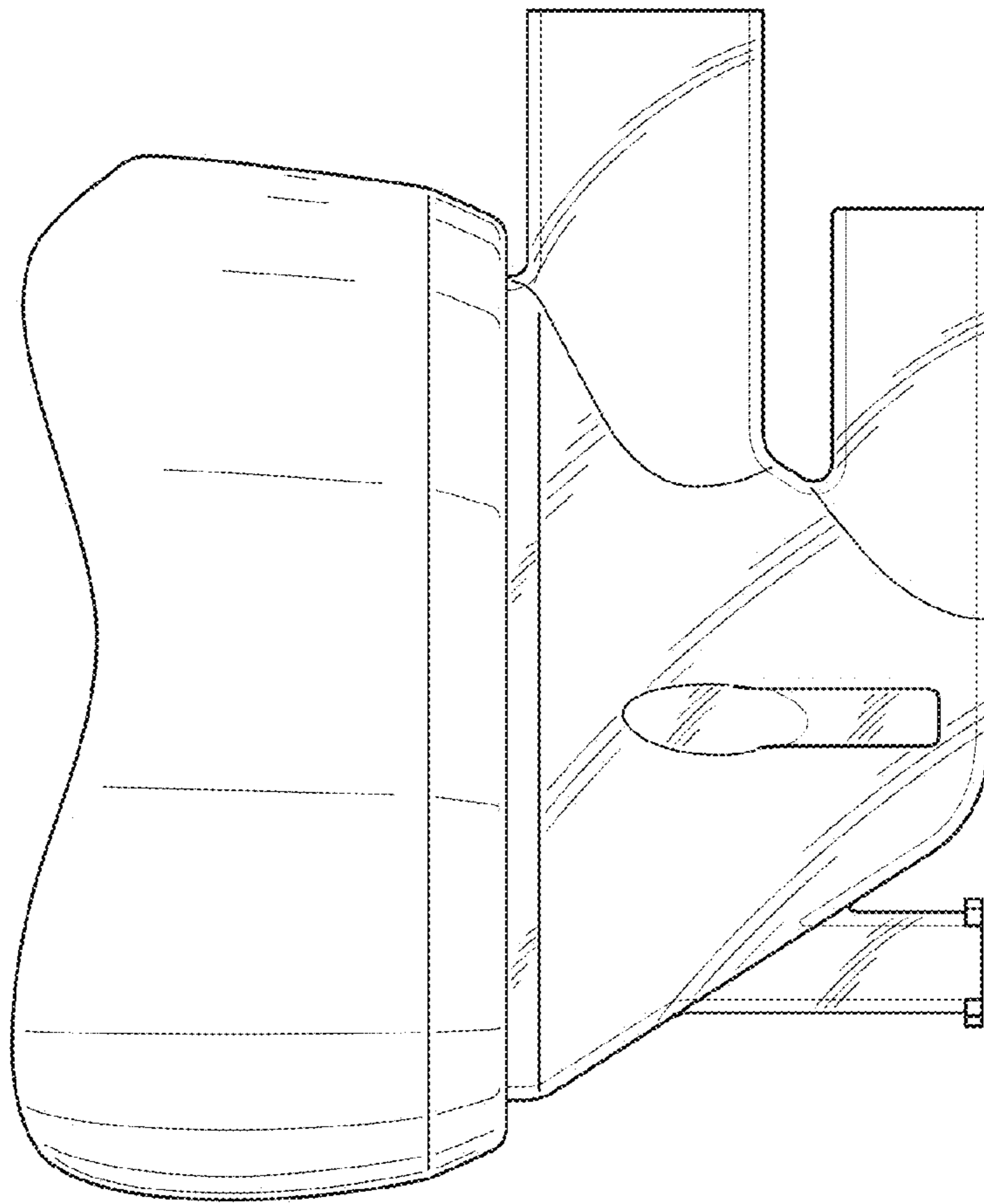


FIG. 4

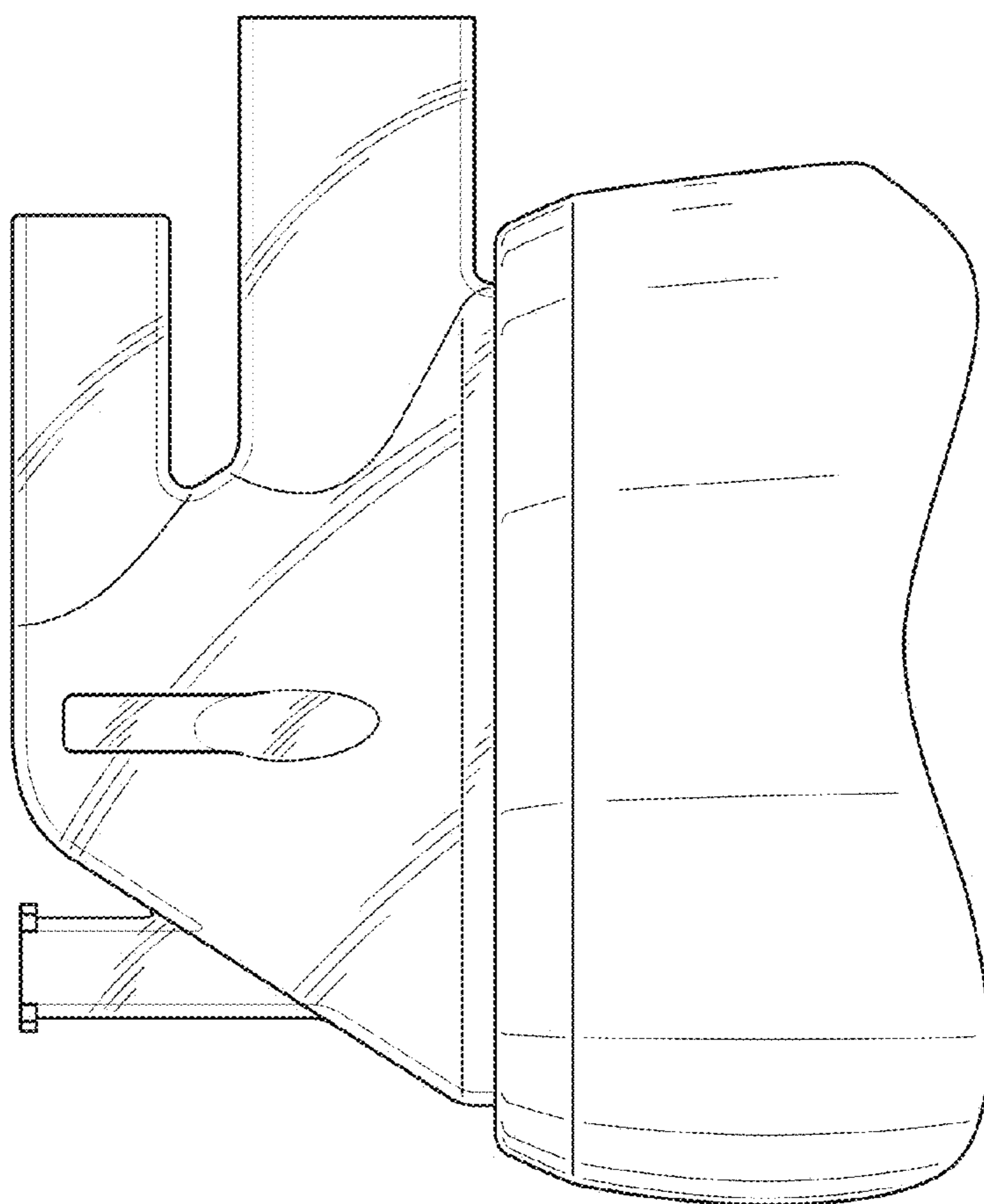


FIG. 5

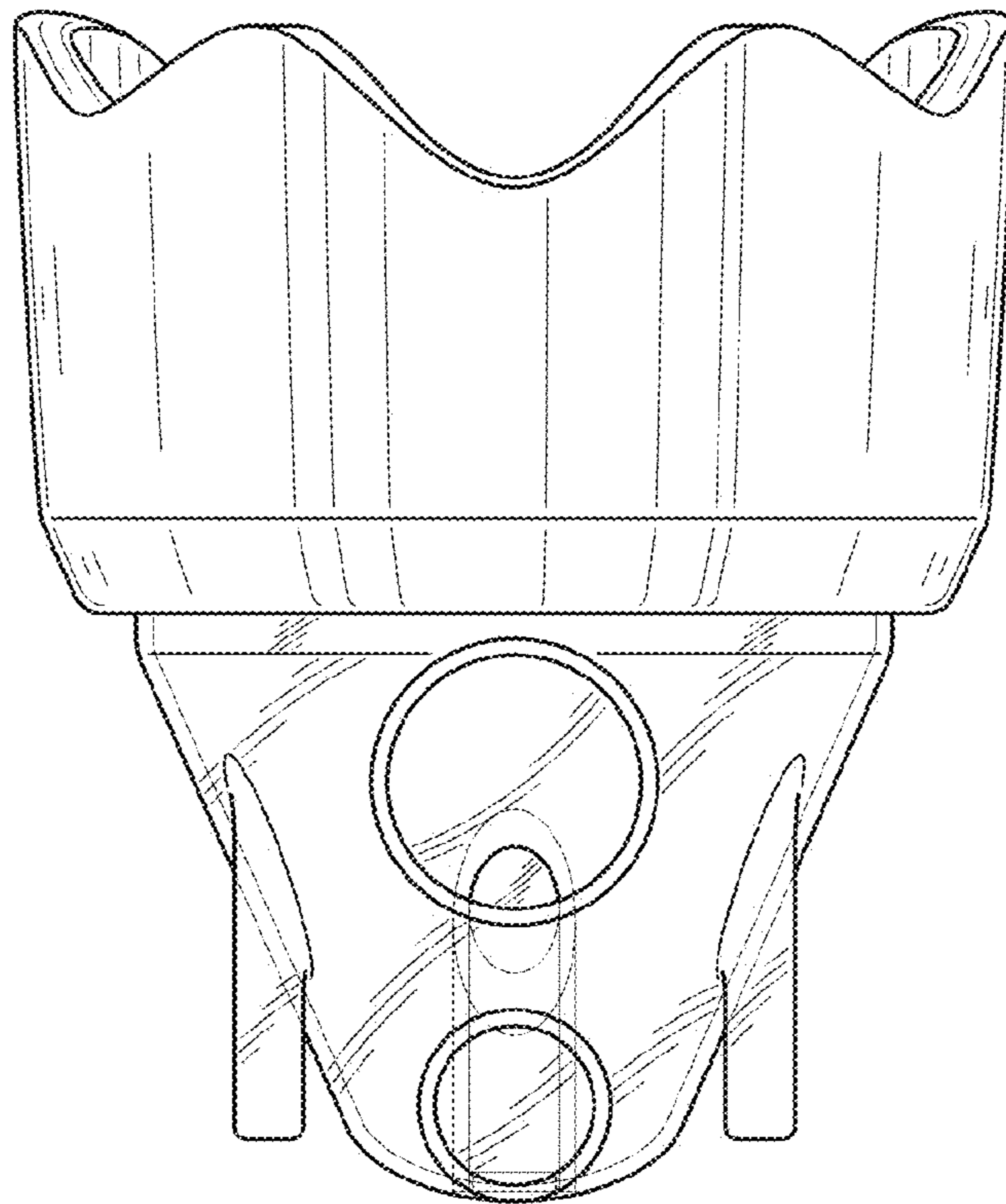


FIG. 6

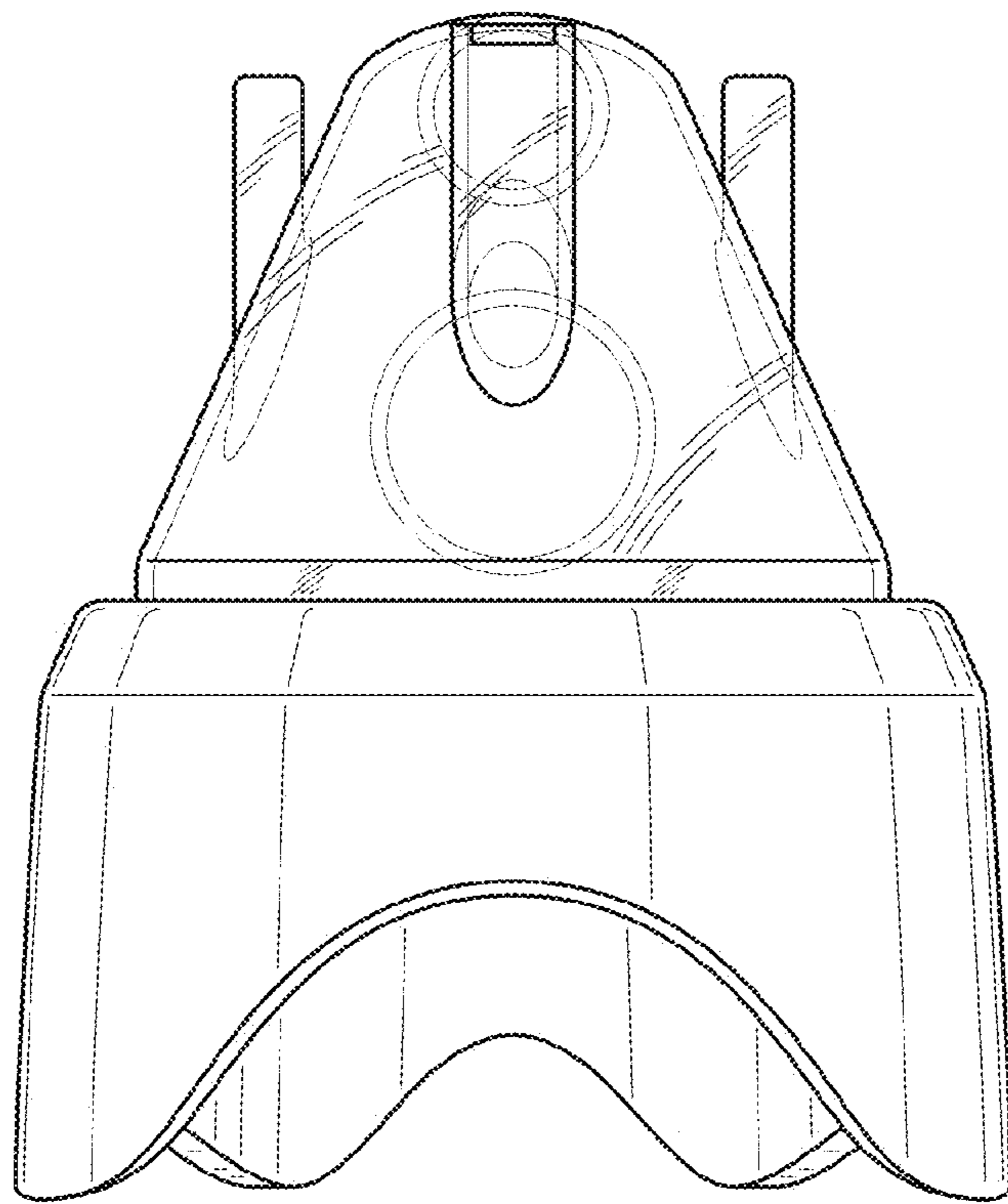


FIG. 7

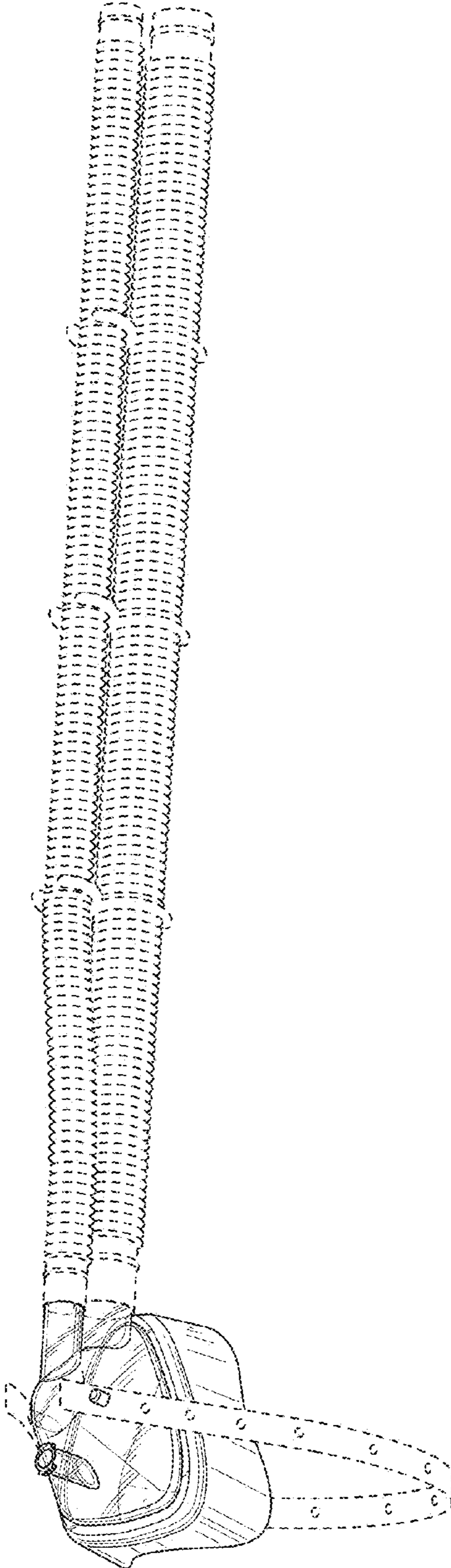


FIG. 8

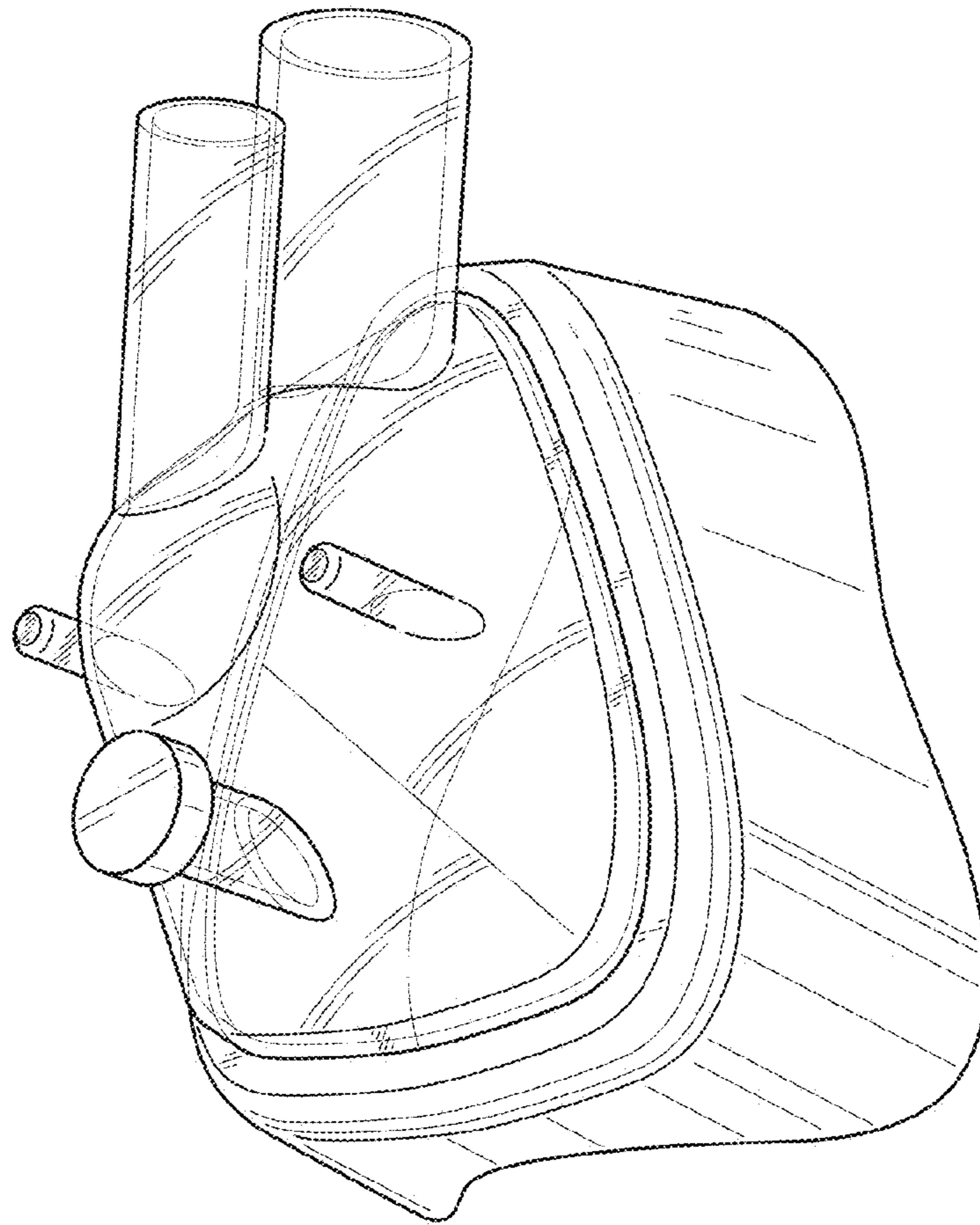


FIG. 9

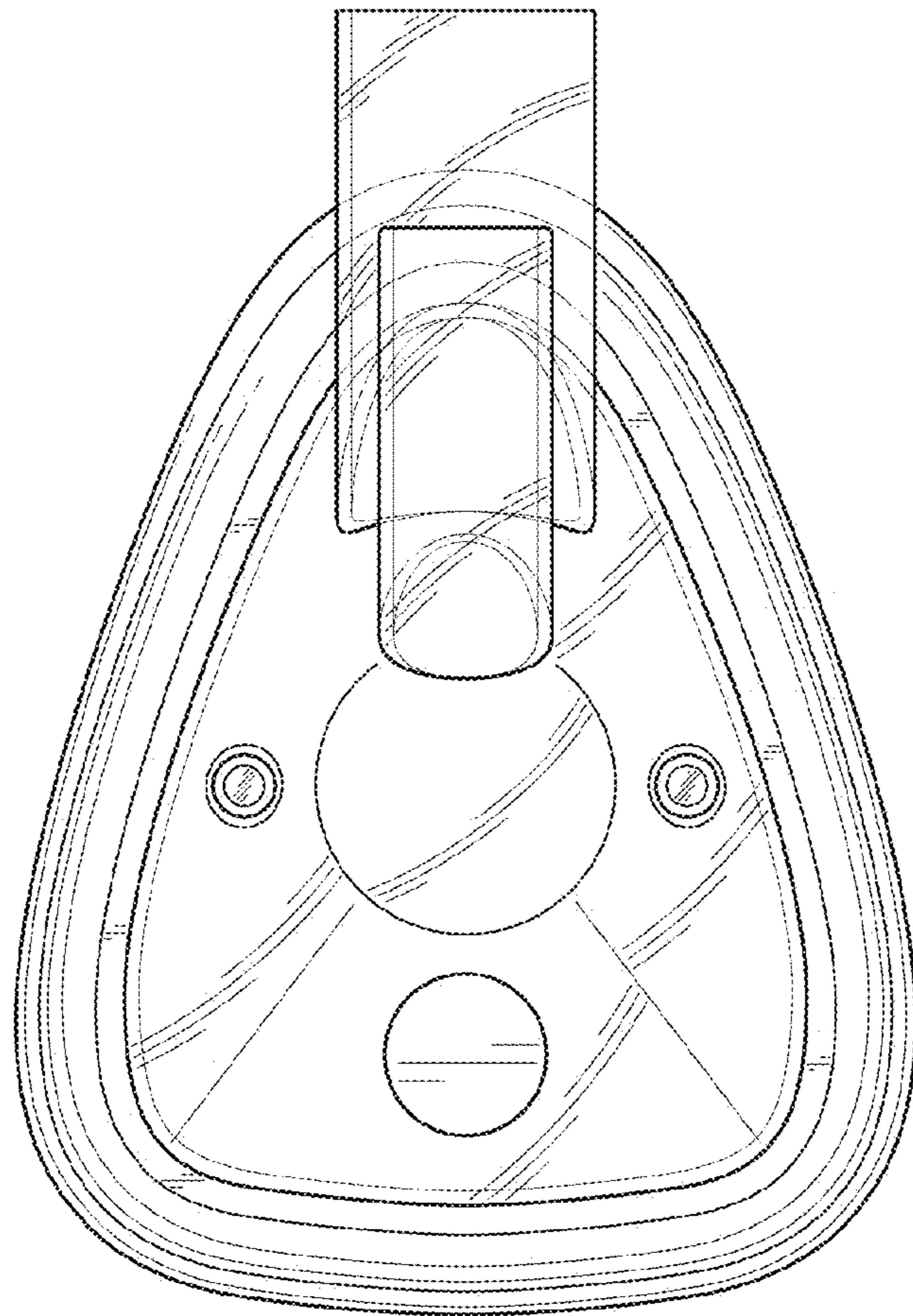


FIG. 10

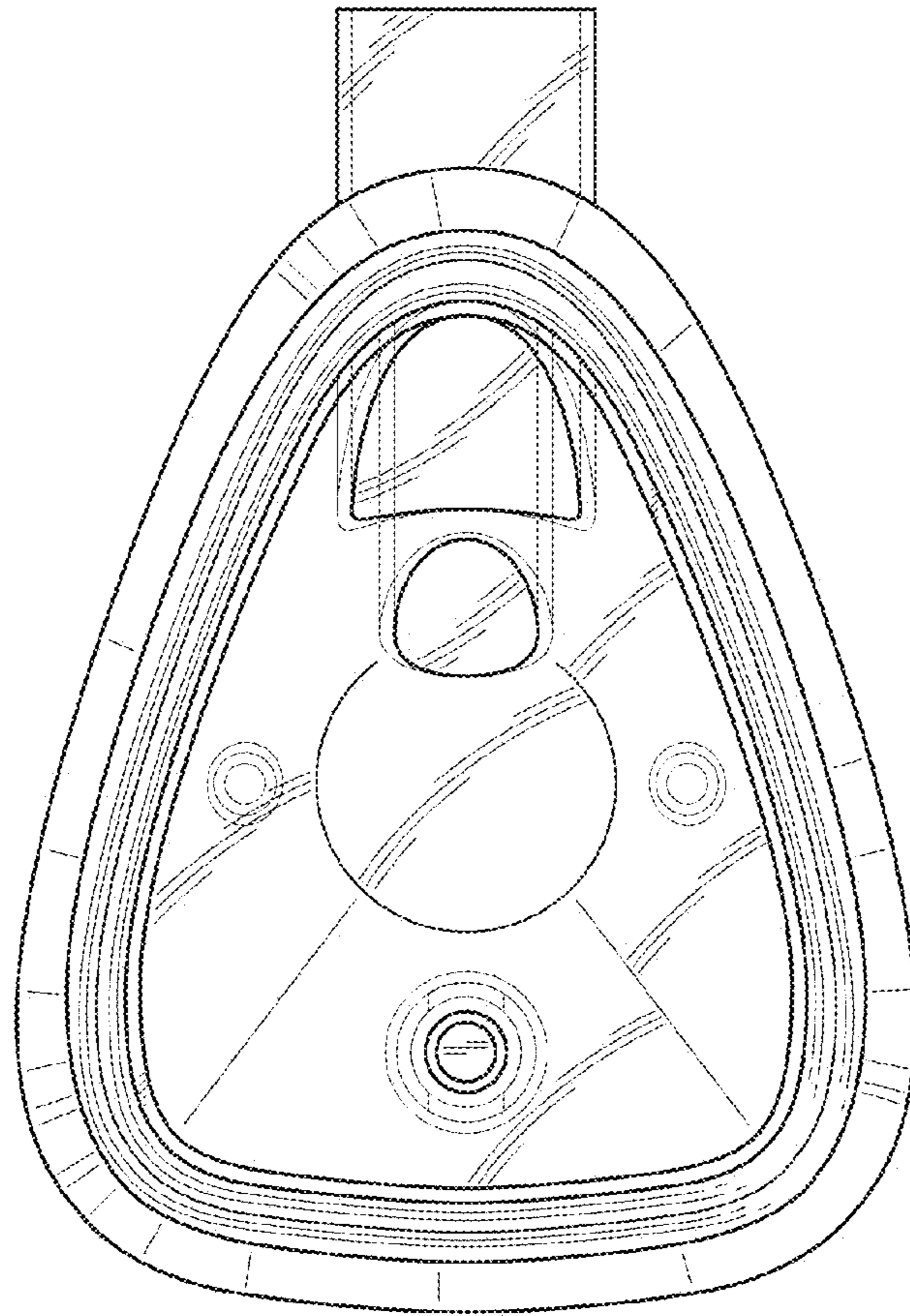


FIG. 11

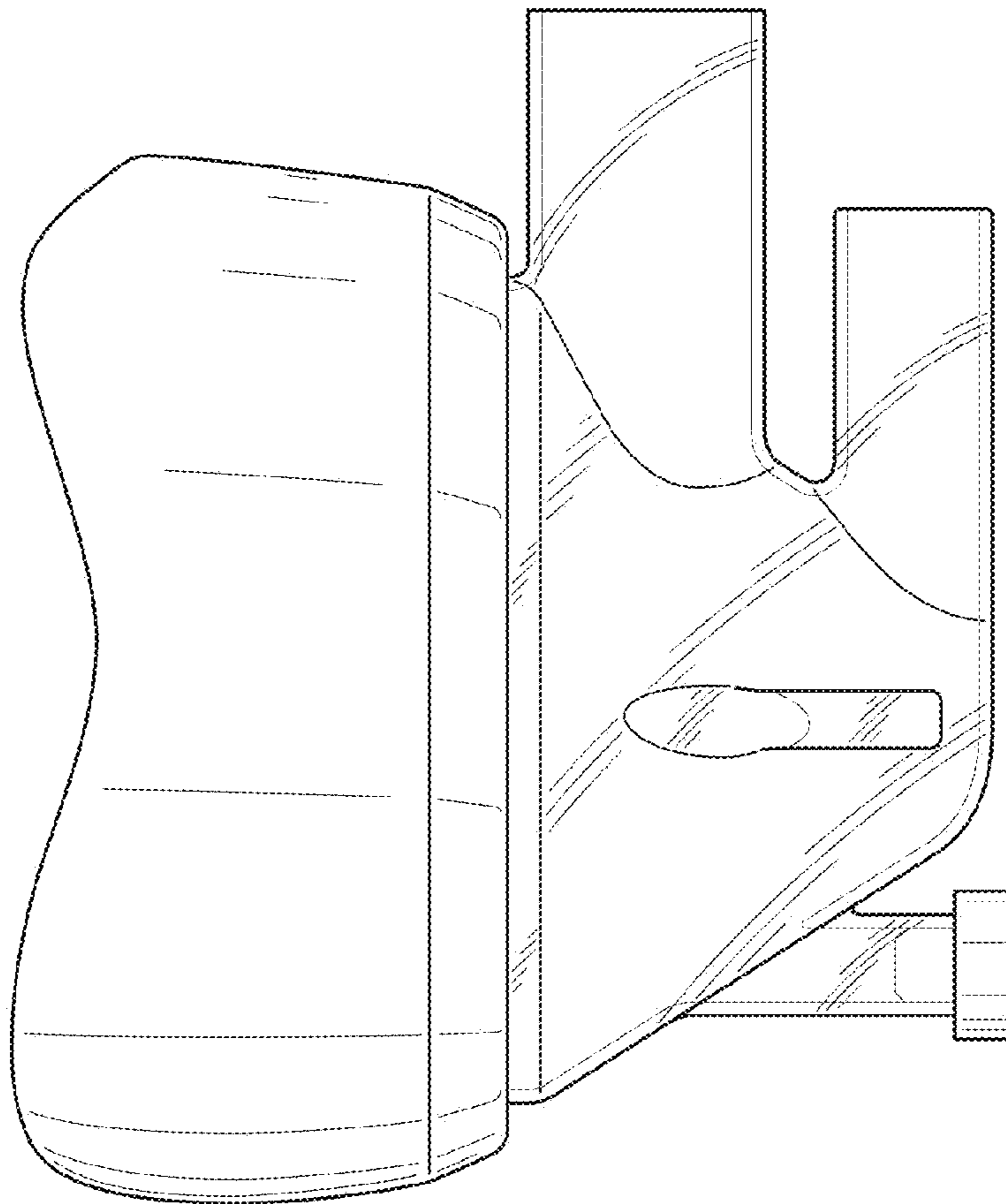


FIG. 12

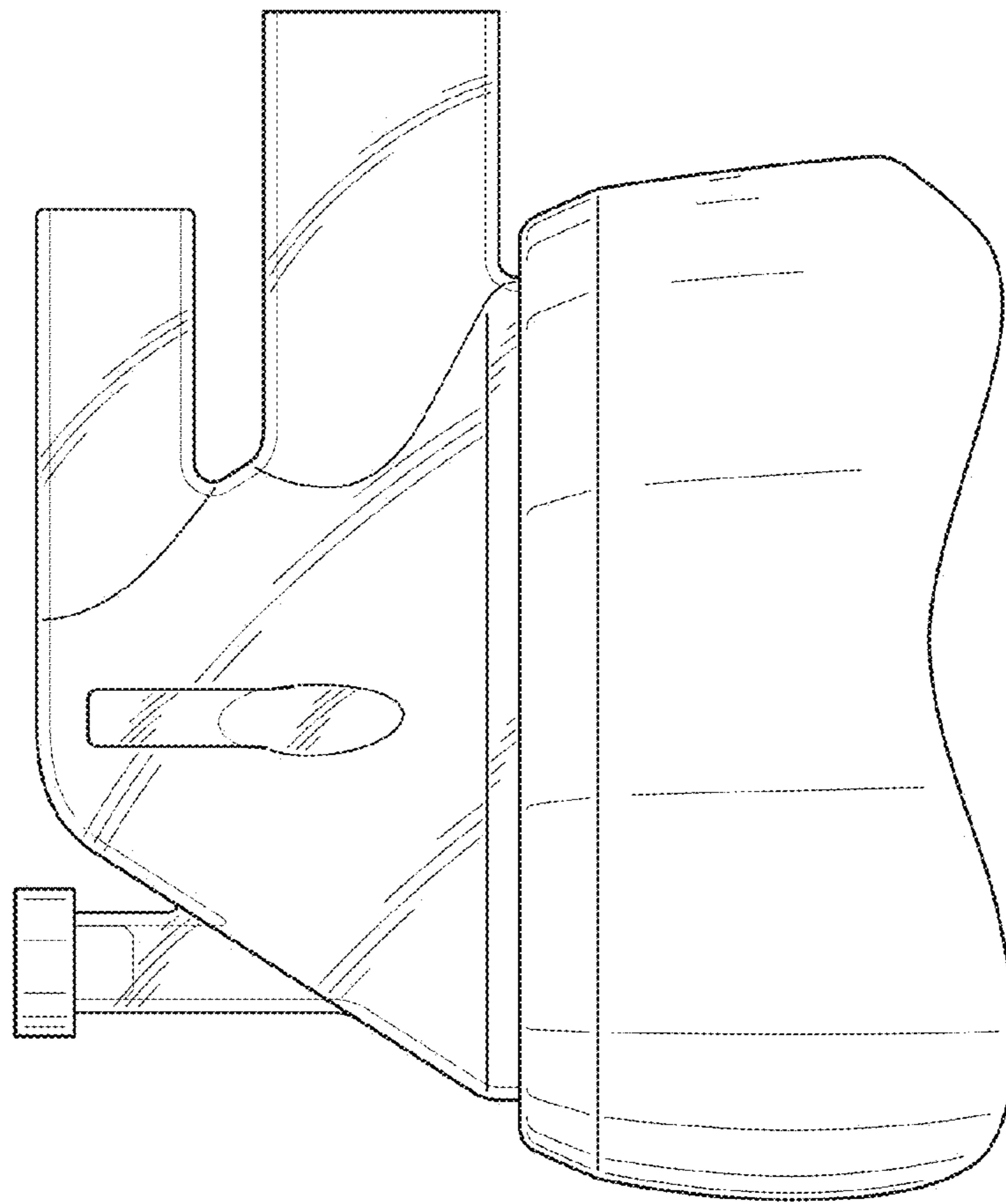


FIG. 13

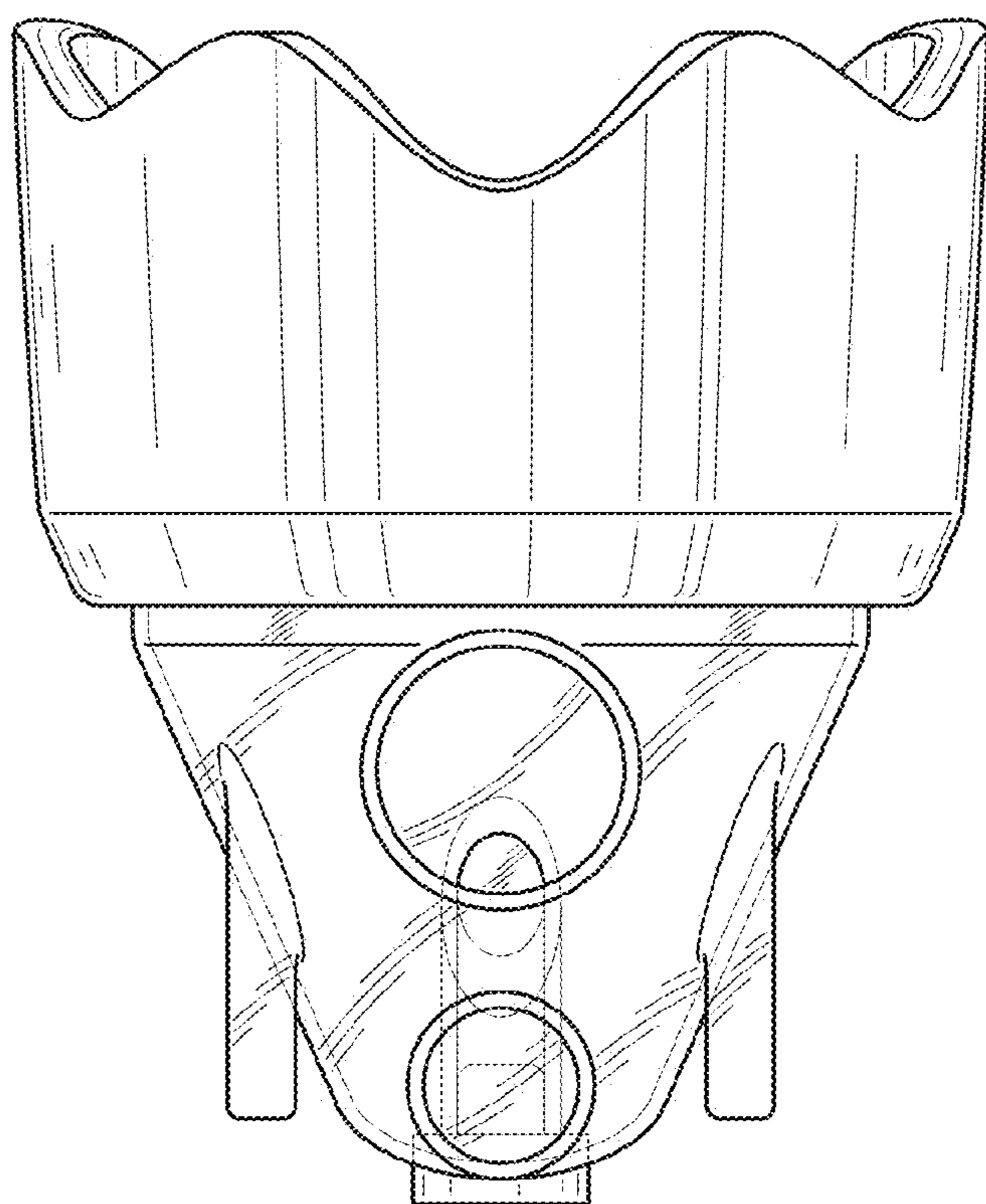


FIG. 14

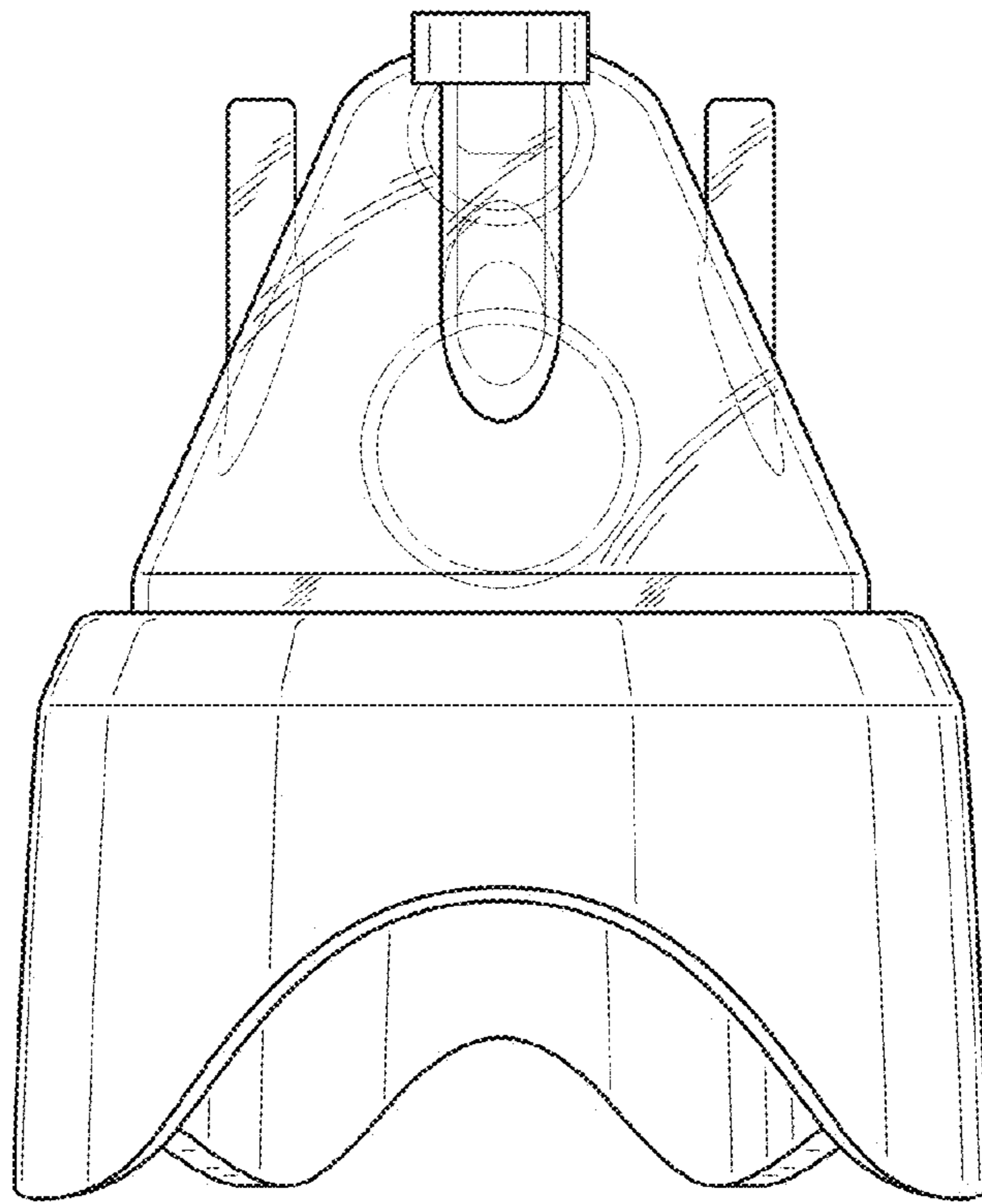


FIG. 15

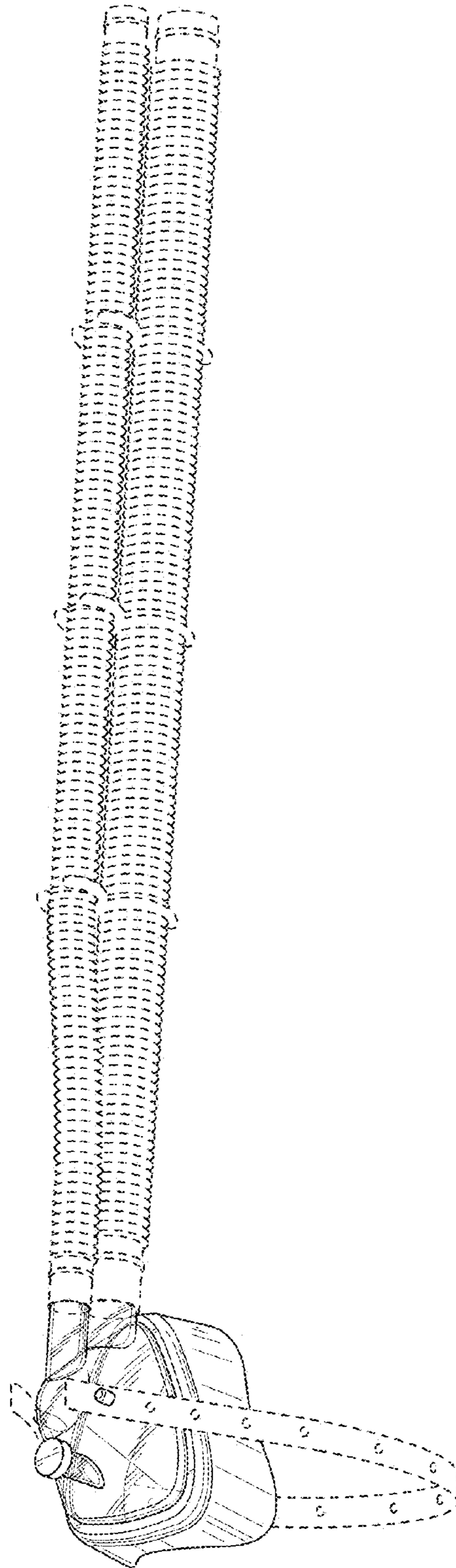


FIG. 16

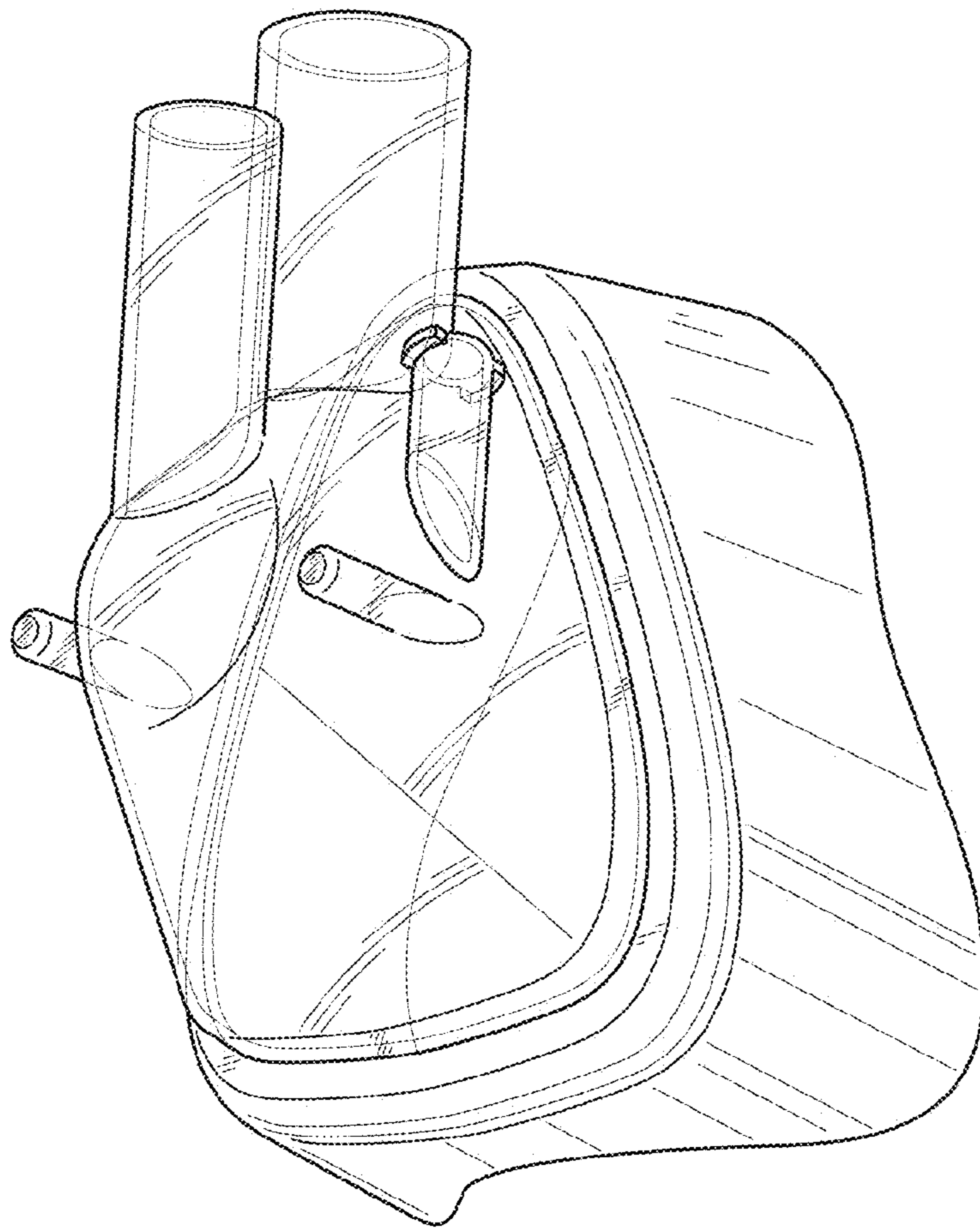


FIG. 17

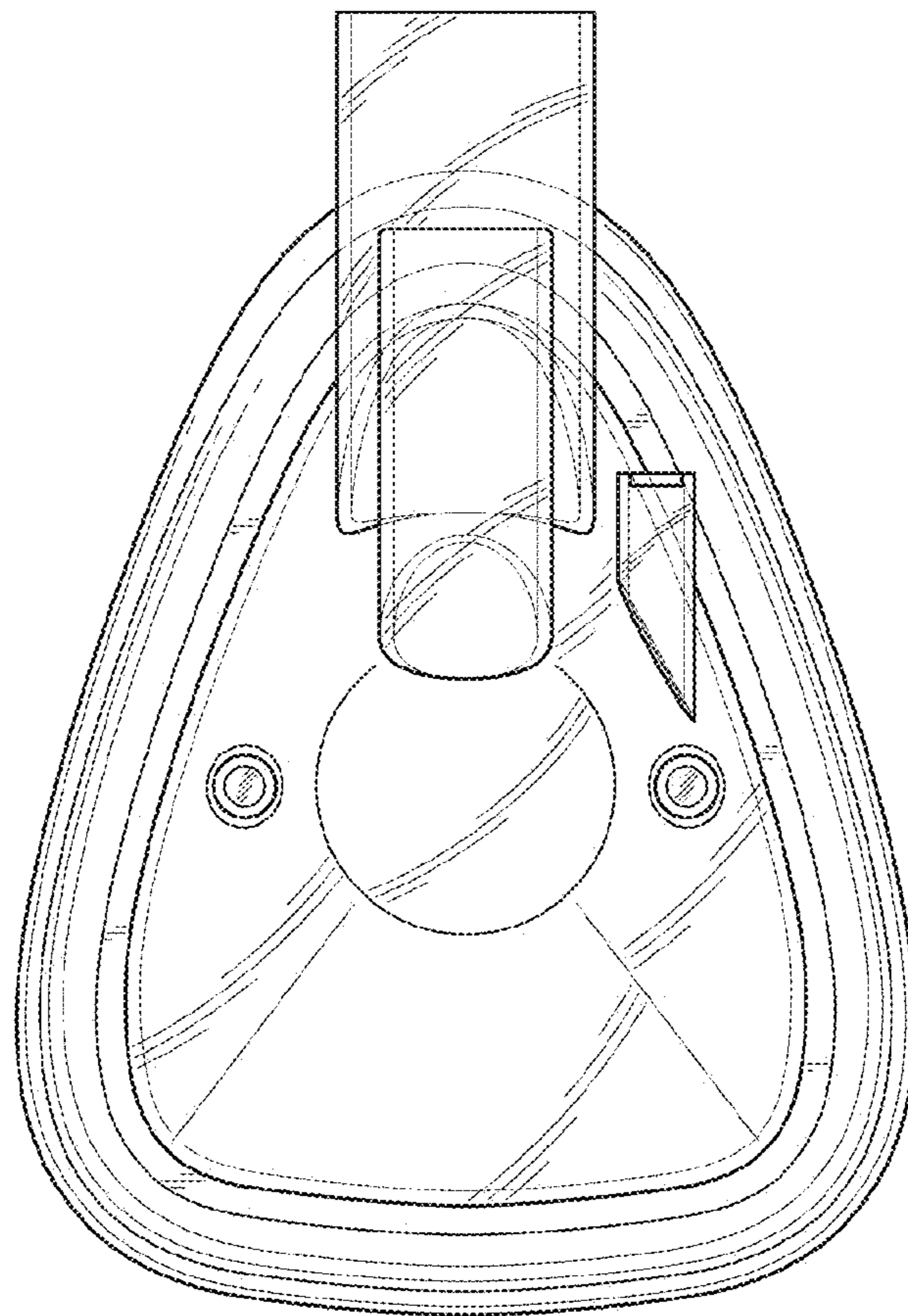


FIG. 18

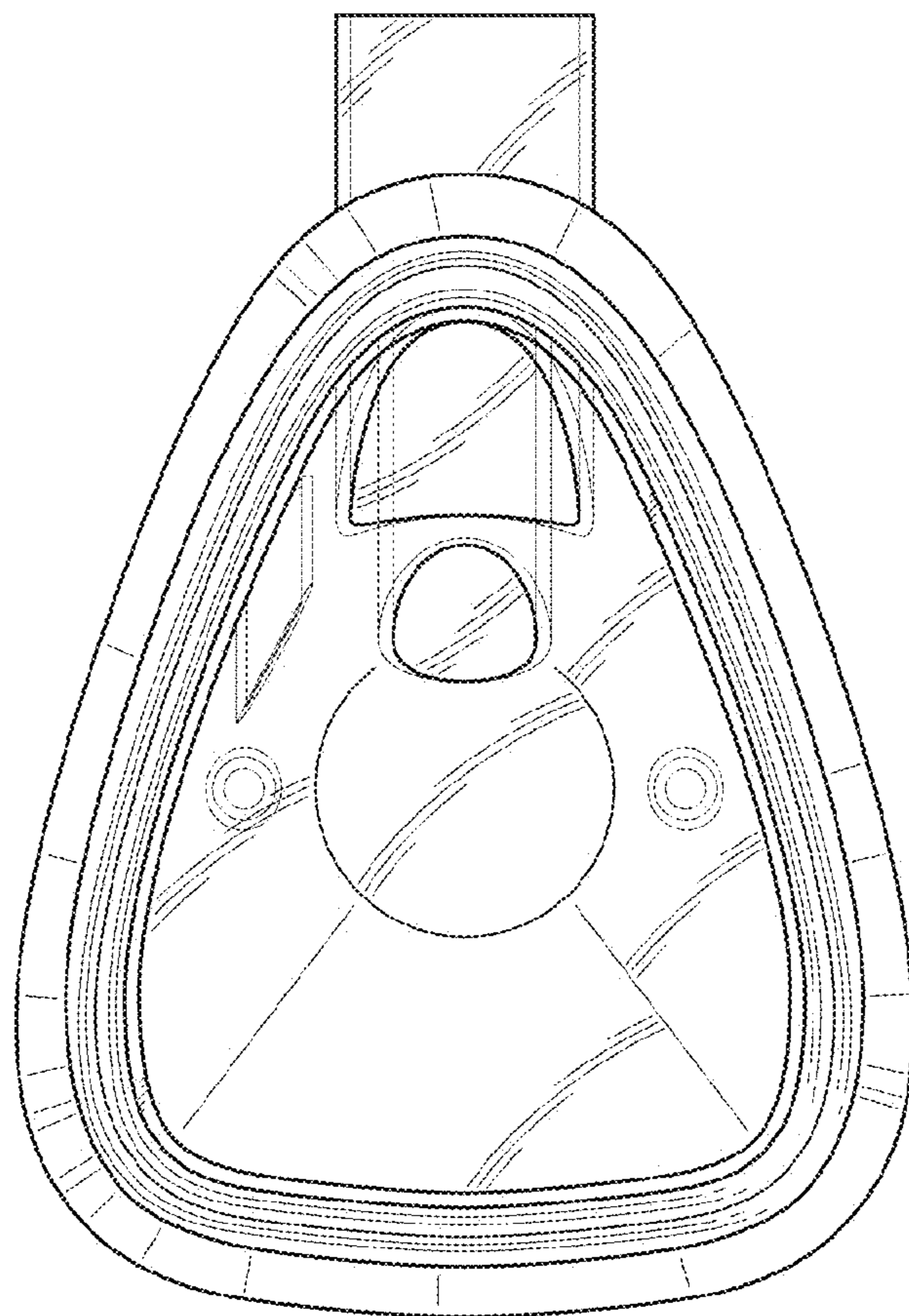


FIG. 19

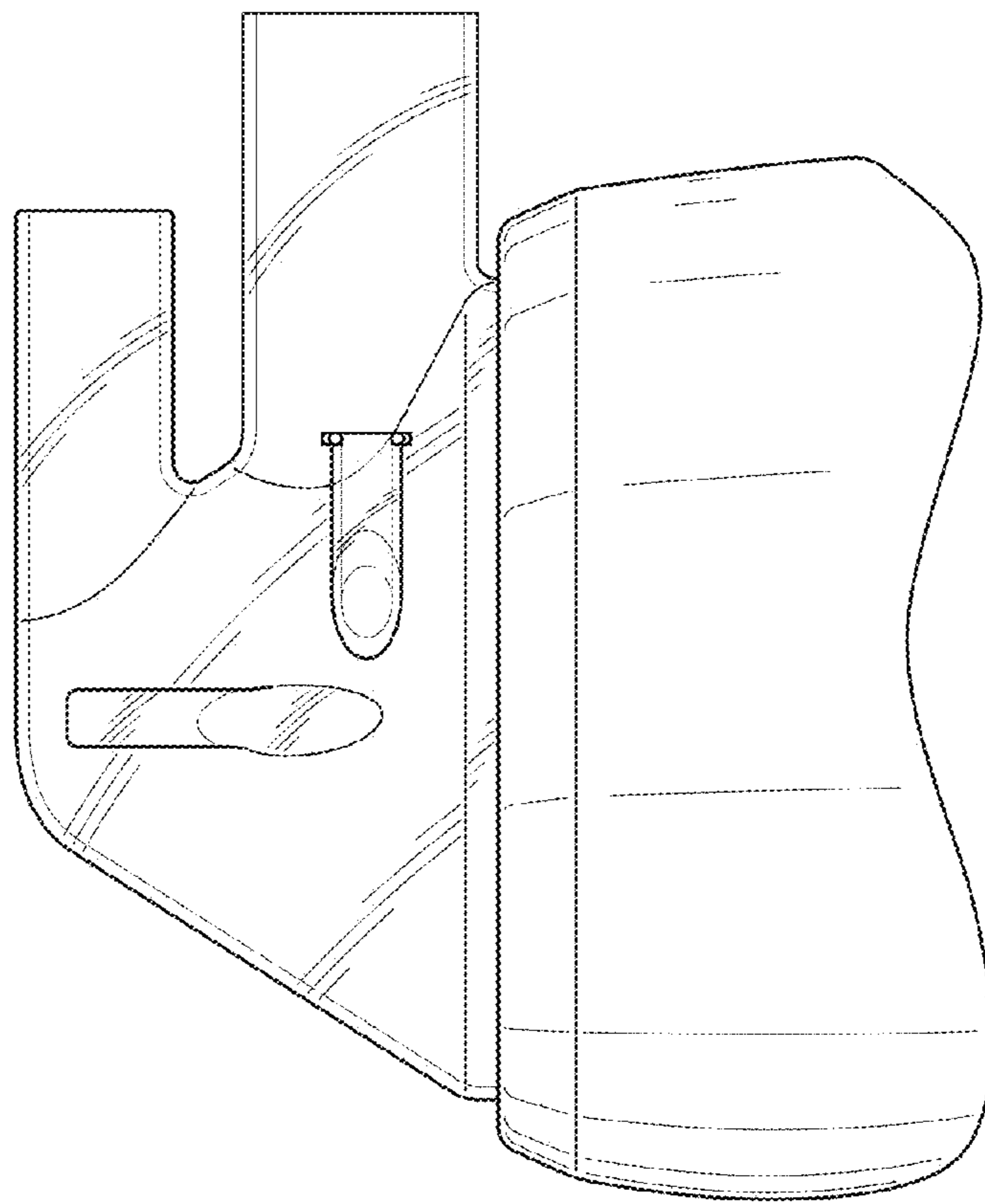


FIG. 20

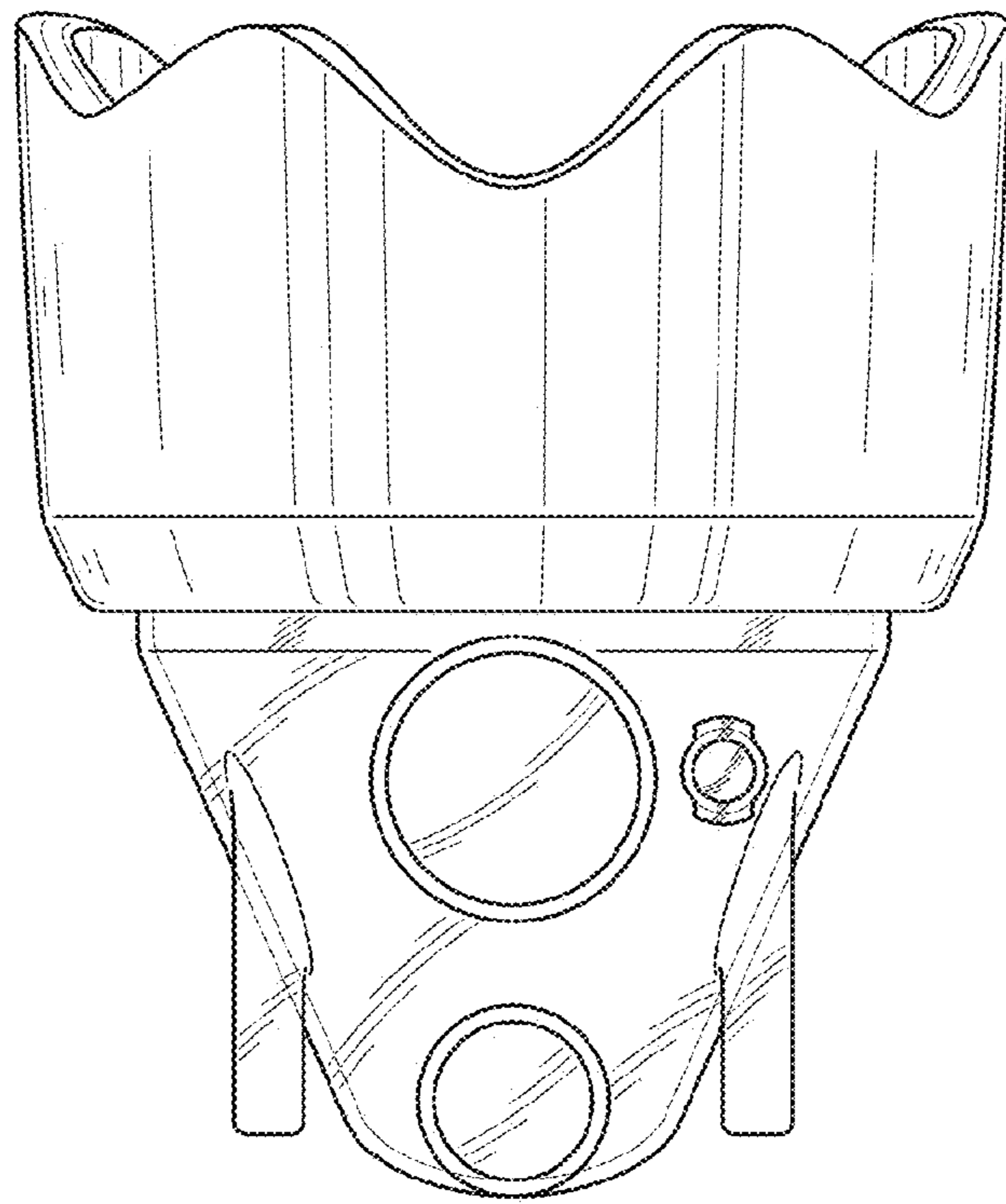


FIG. 21

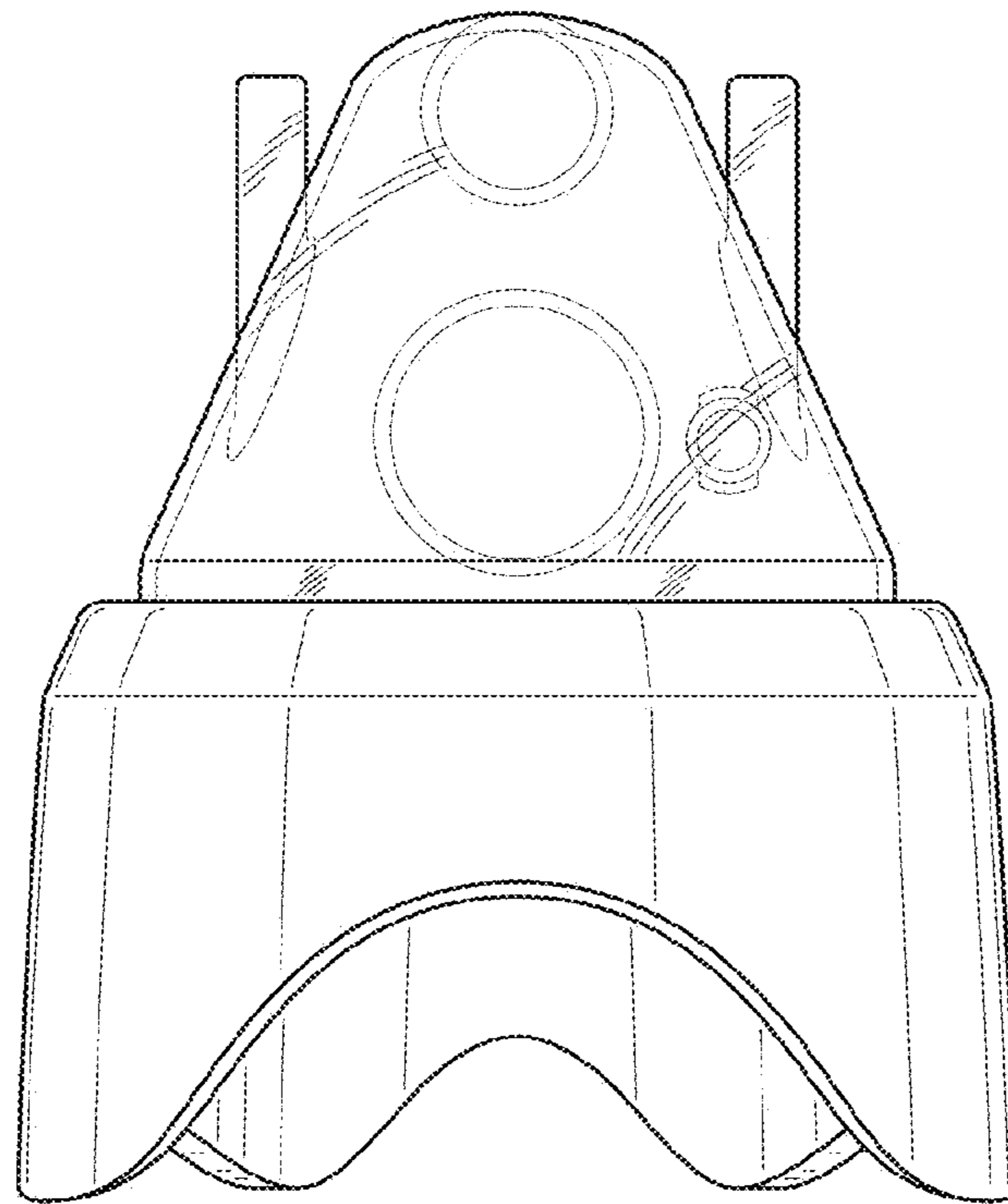


FIG. 22

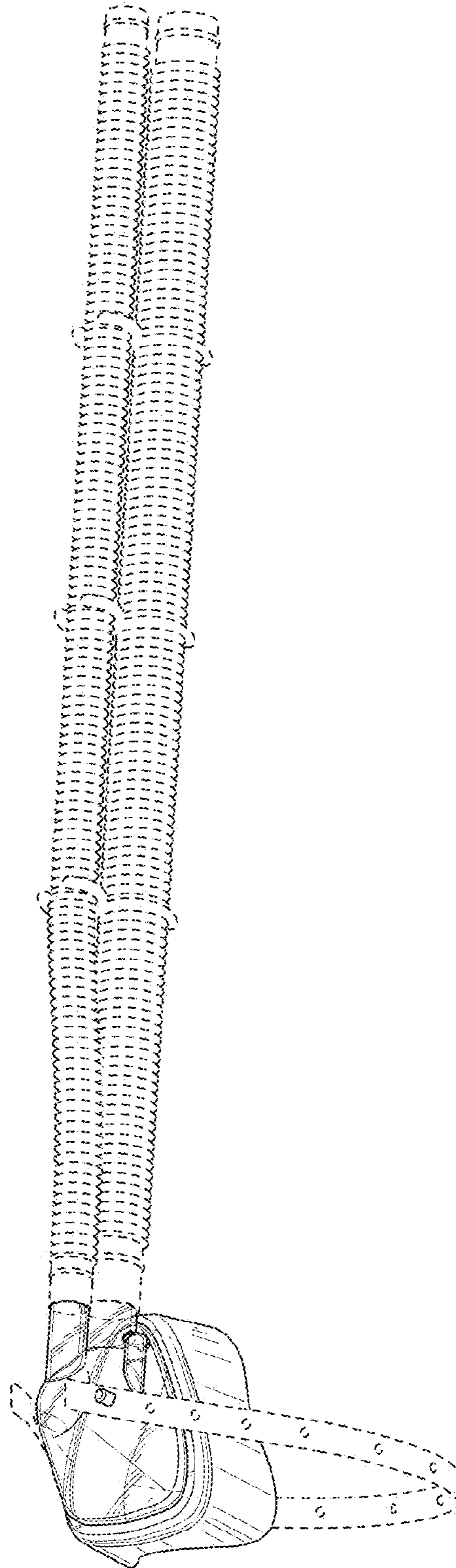


FIG. 23

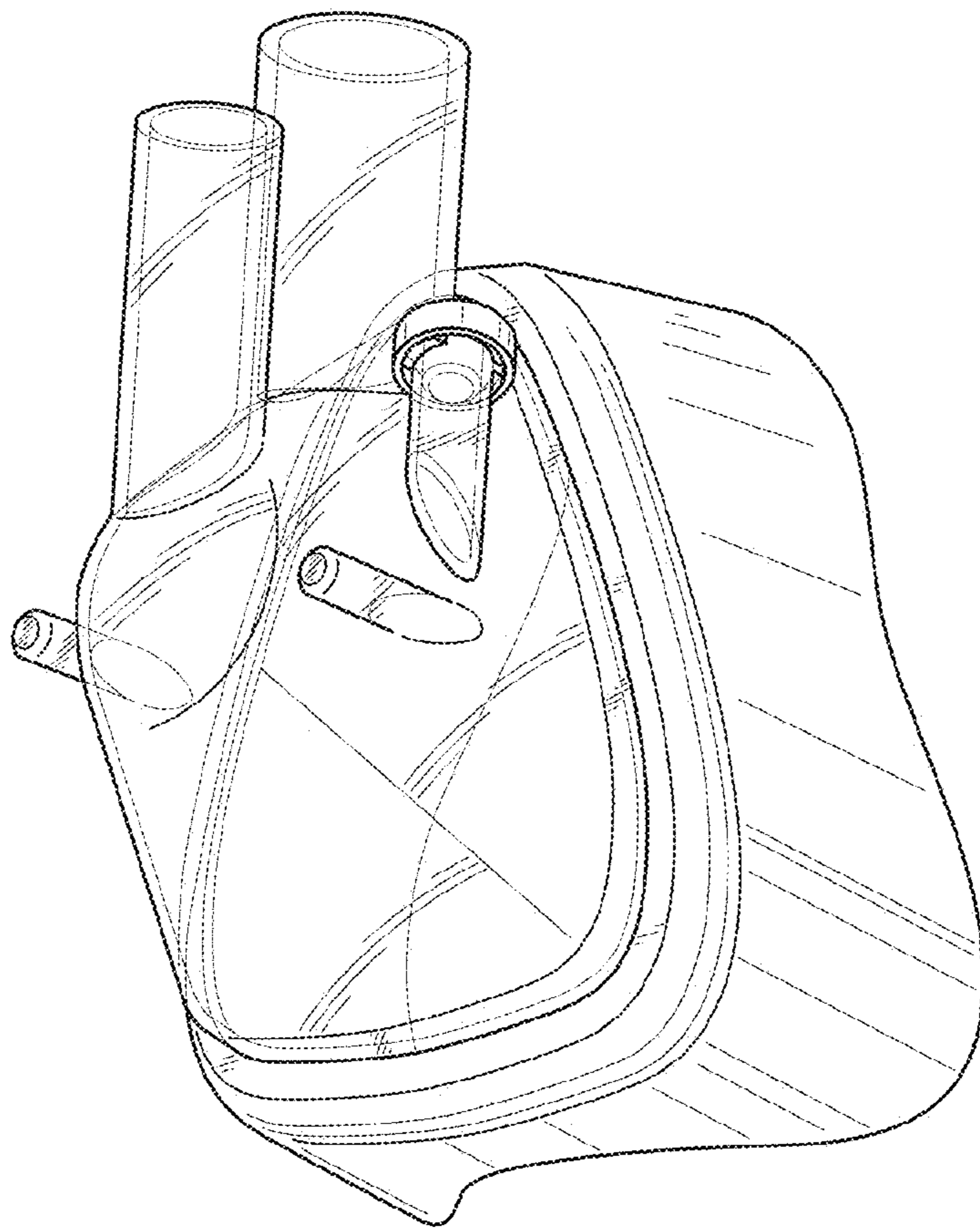


FIG. 24

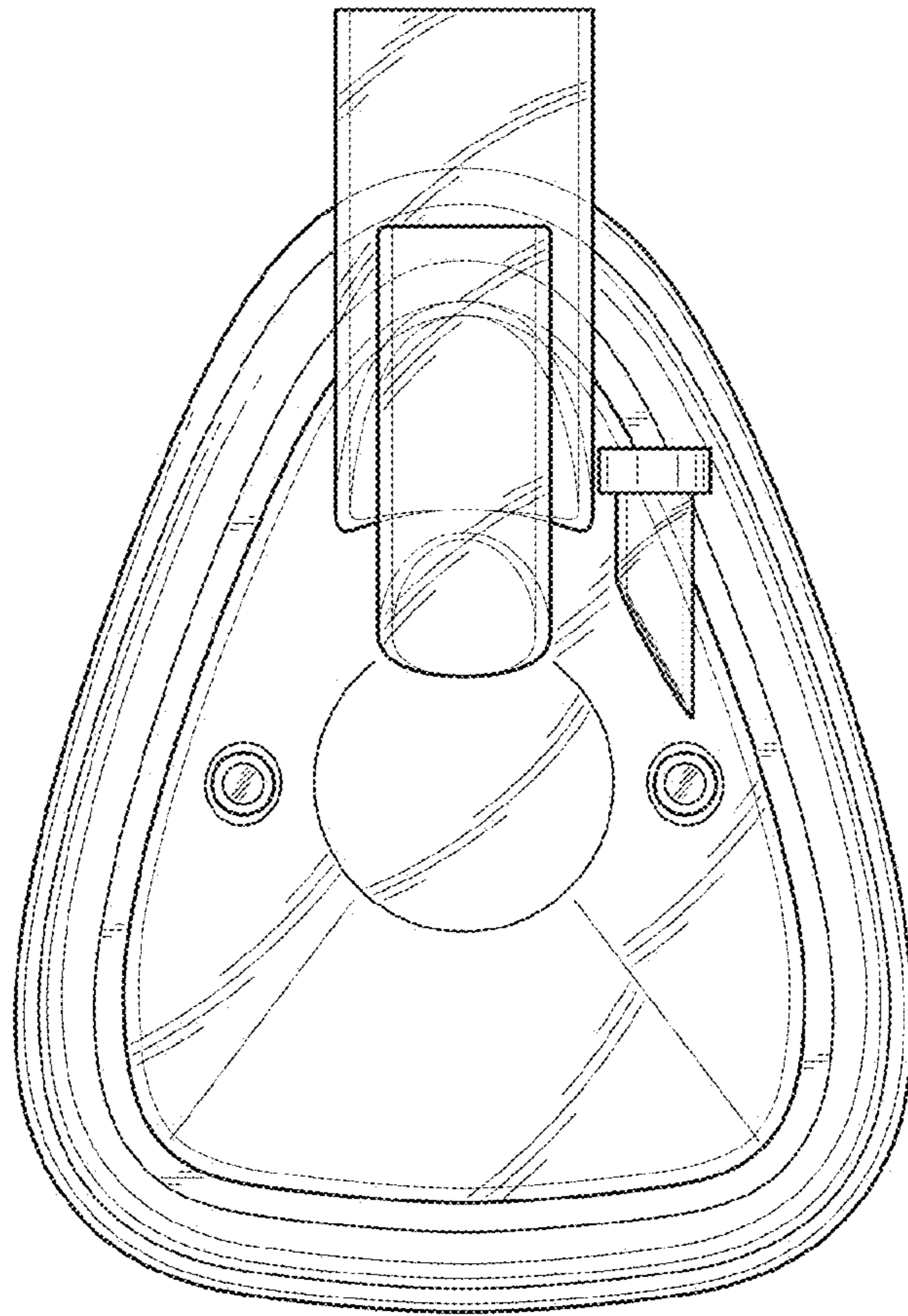


FIG. 25

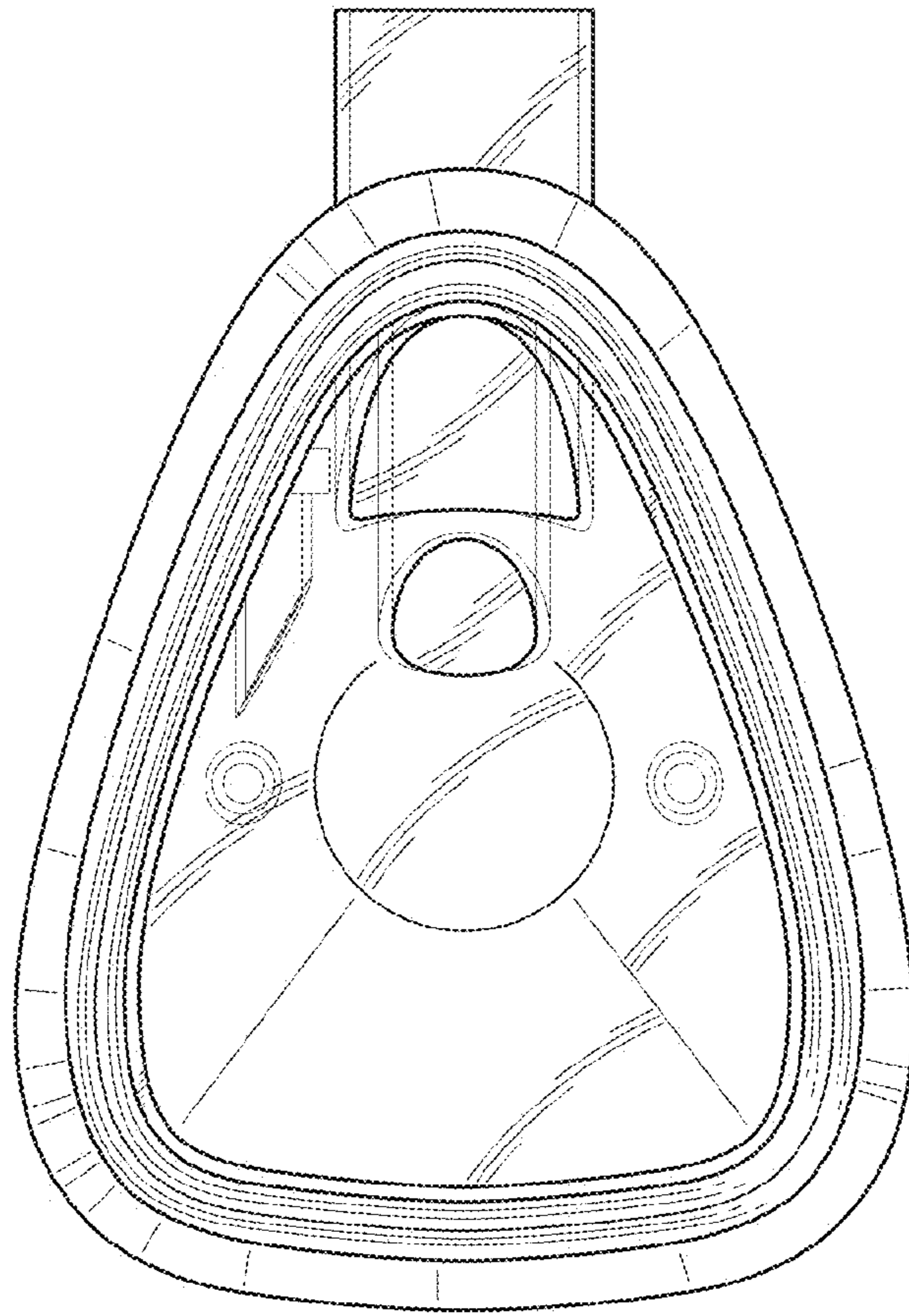


FIG. 26

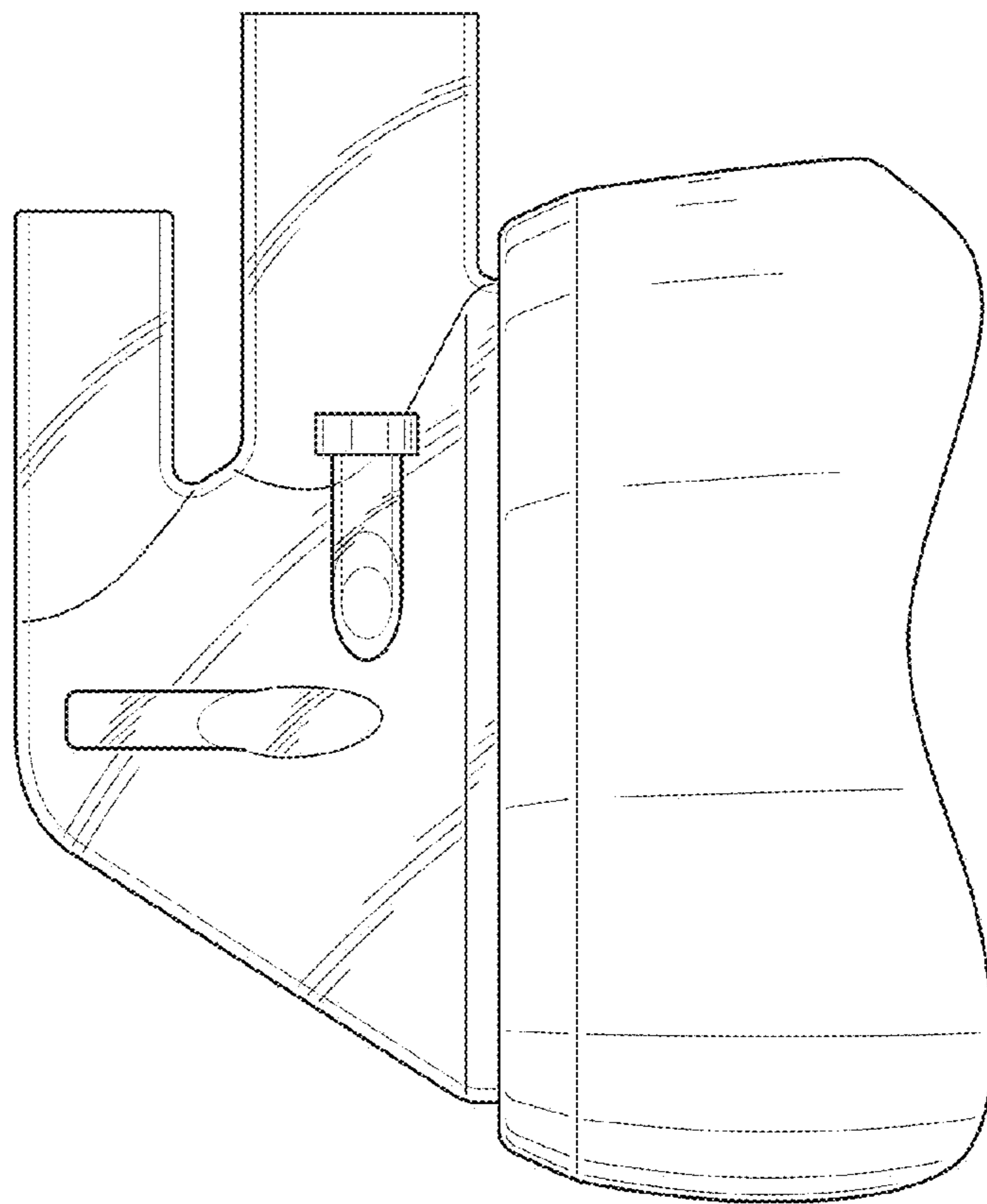


FIG. 27

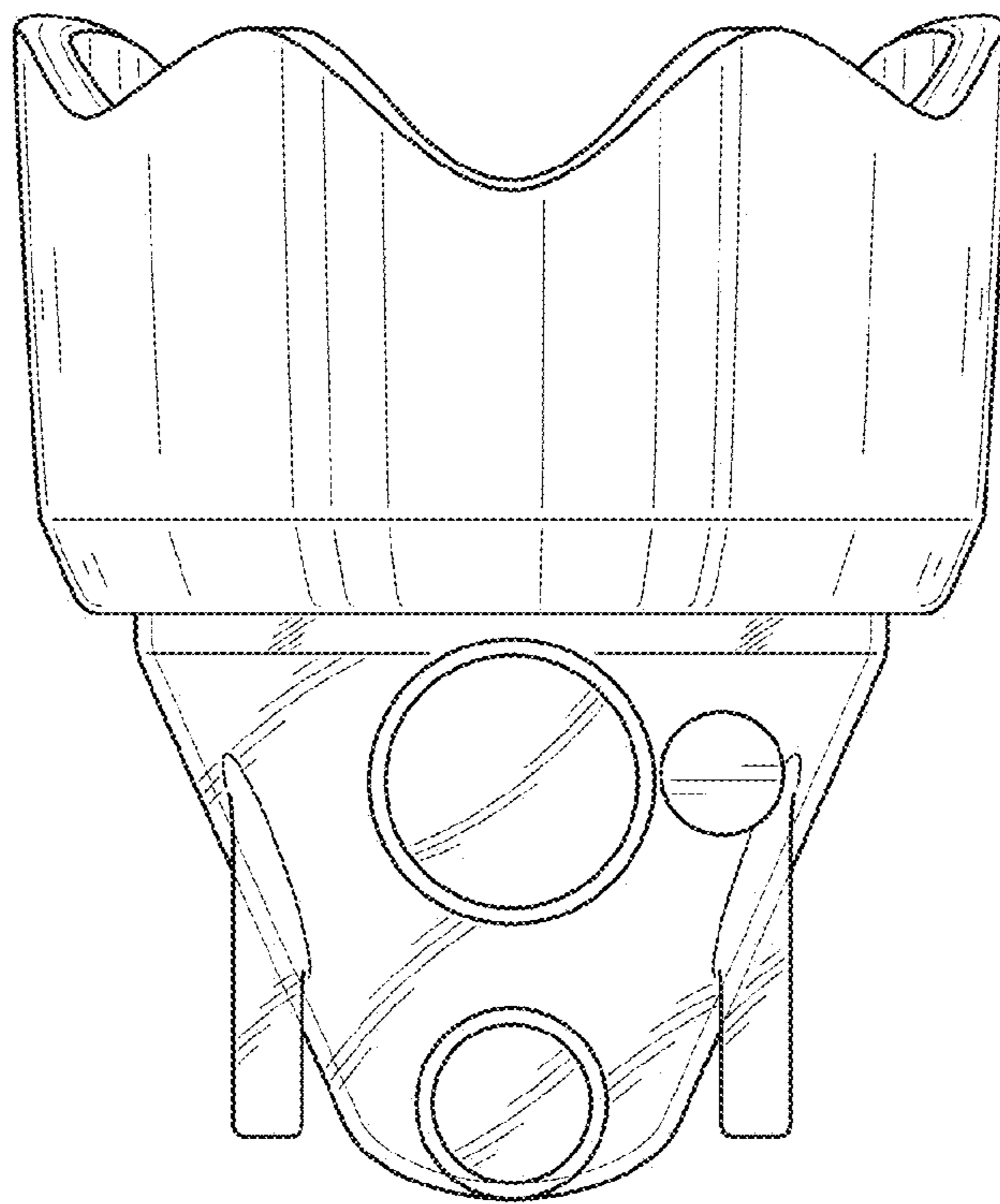


FIG. 28

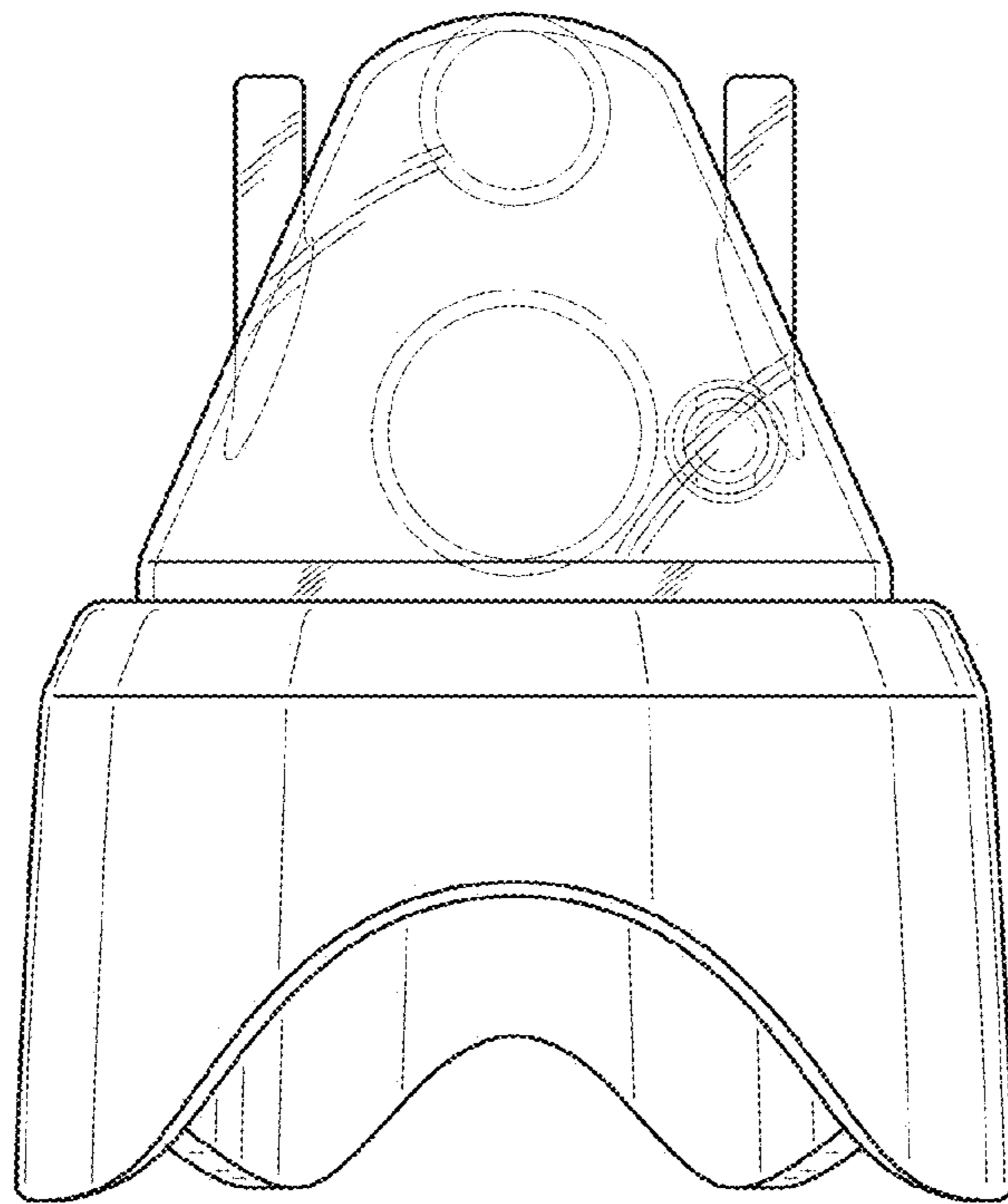


FIG. 29

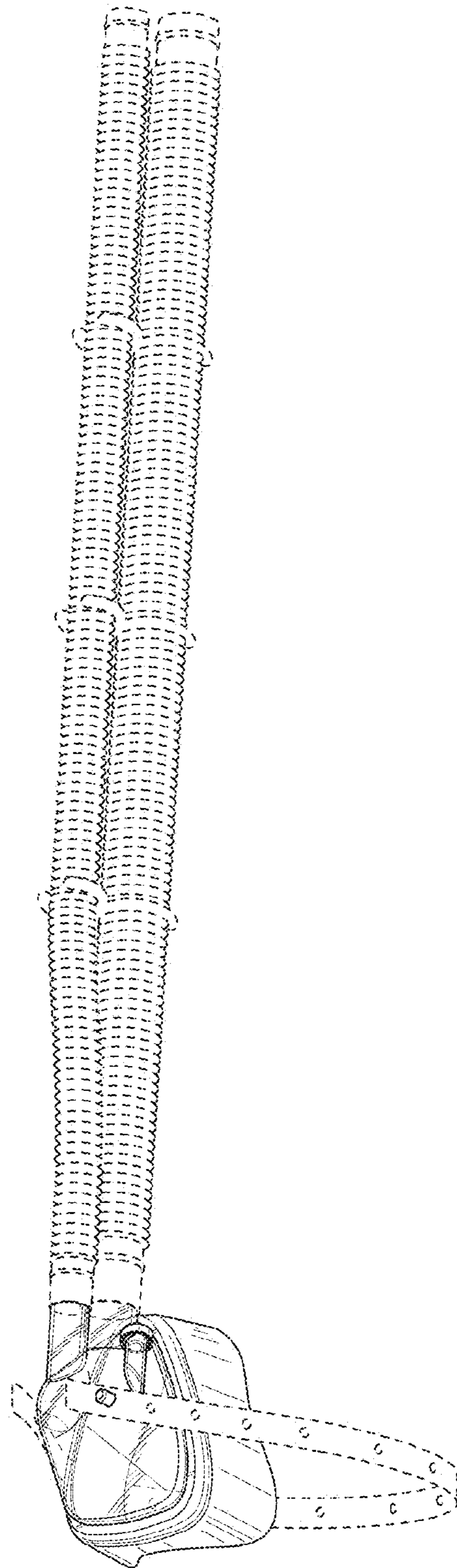


FIG. 30

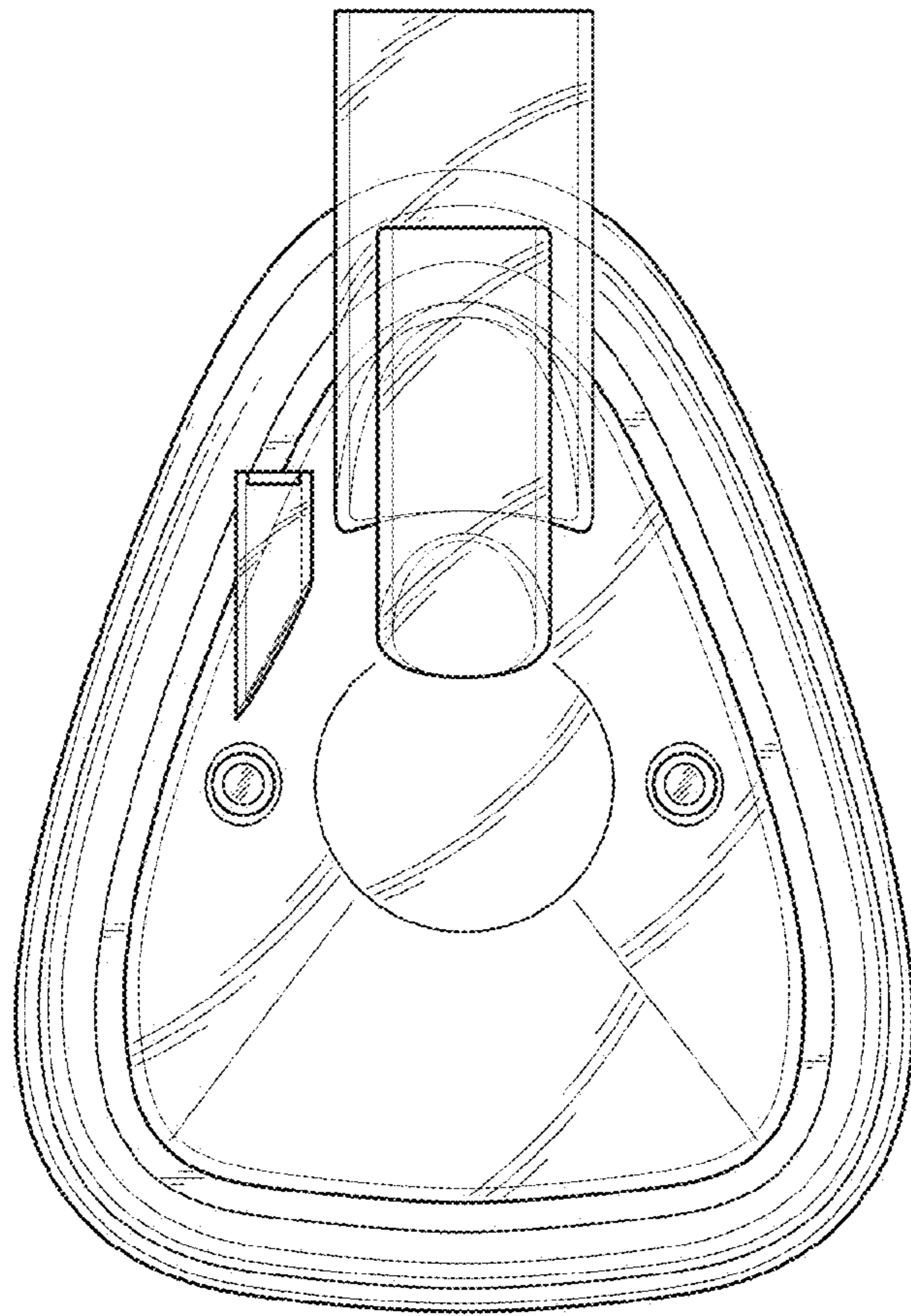


FIG. 31

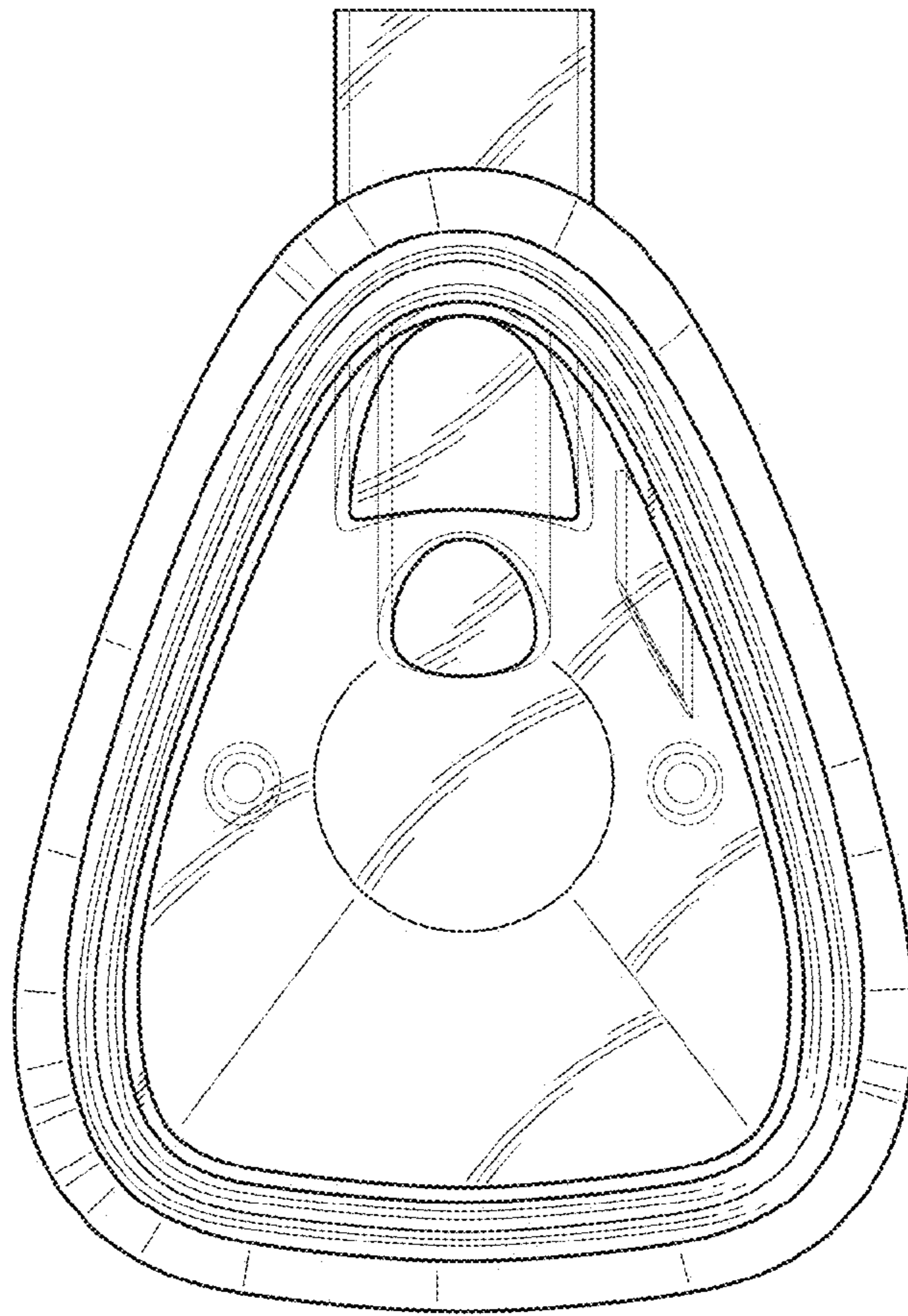


FIG. 32

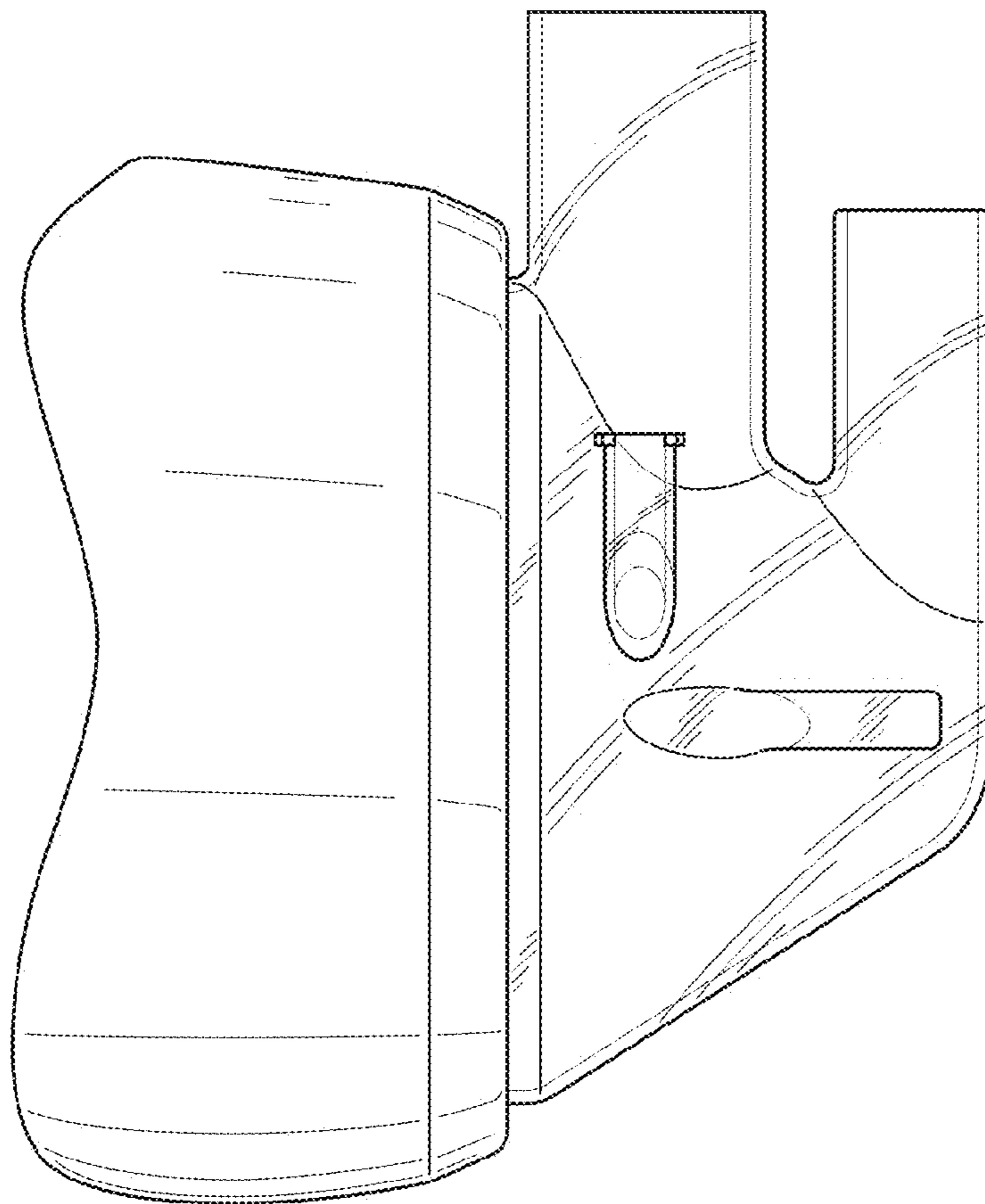


FIG. 33

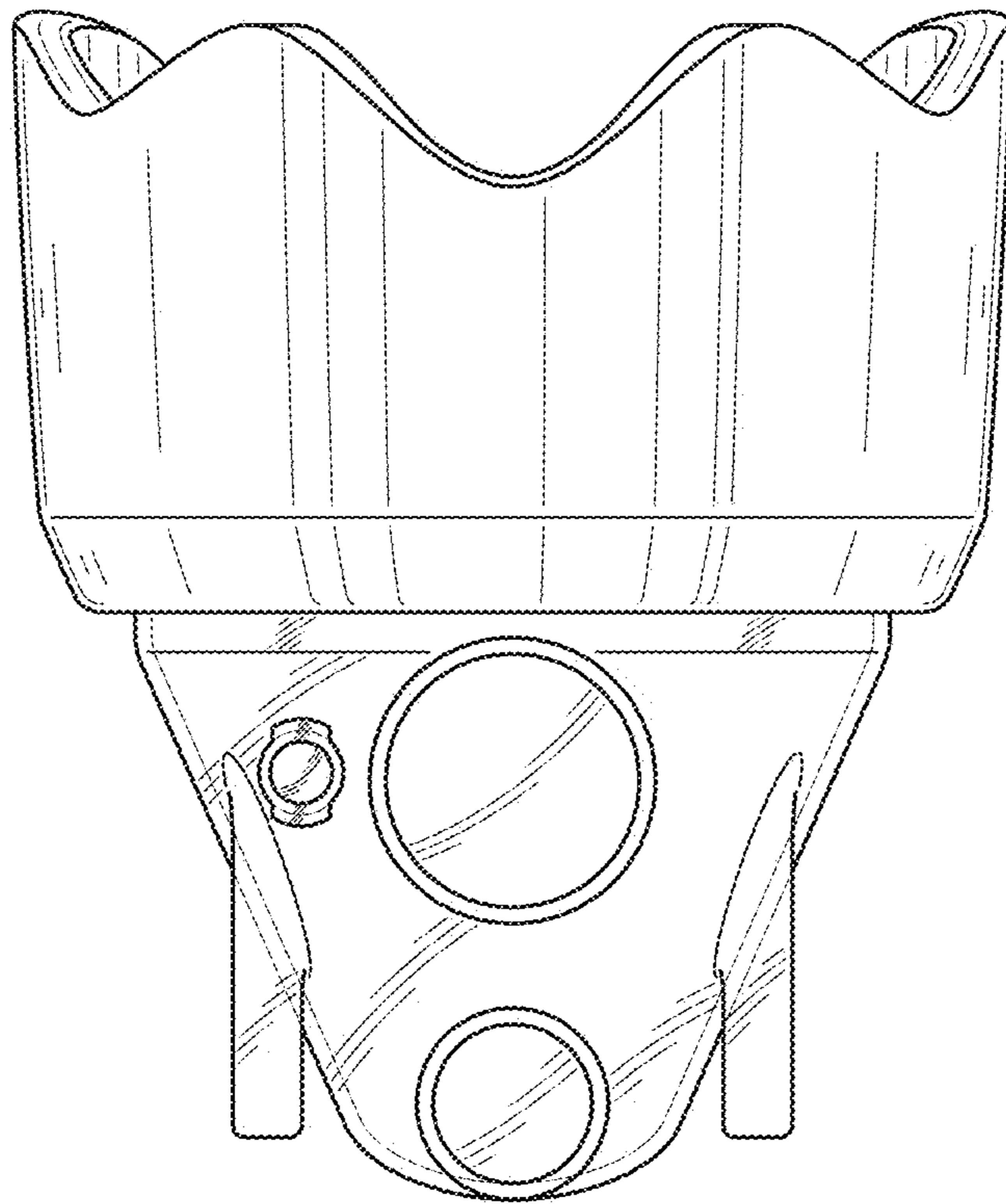


FIG. 34

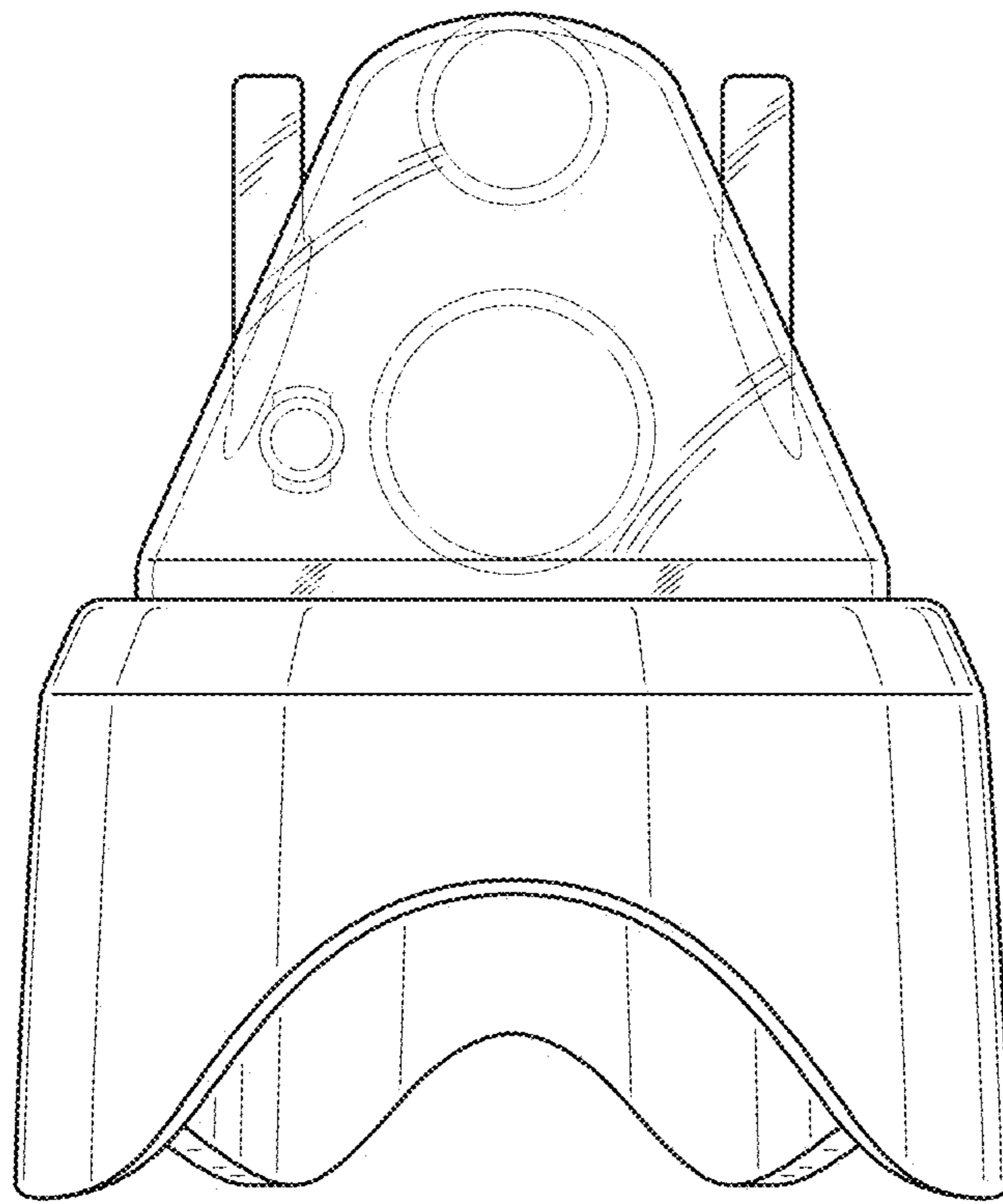


FIG. 35

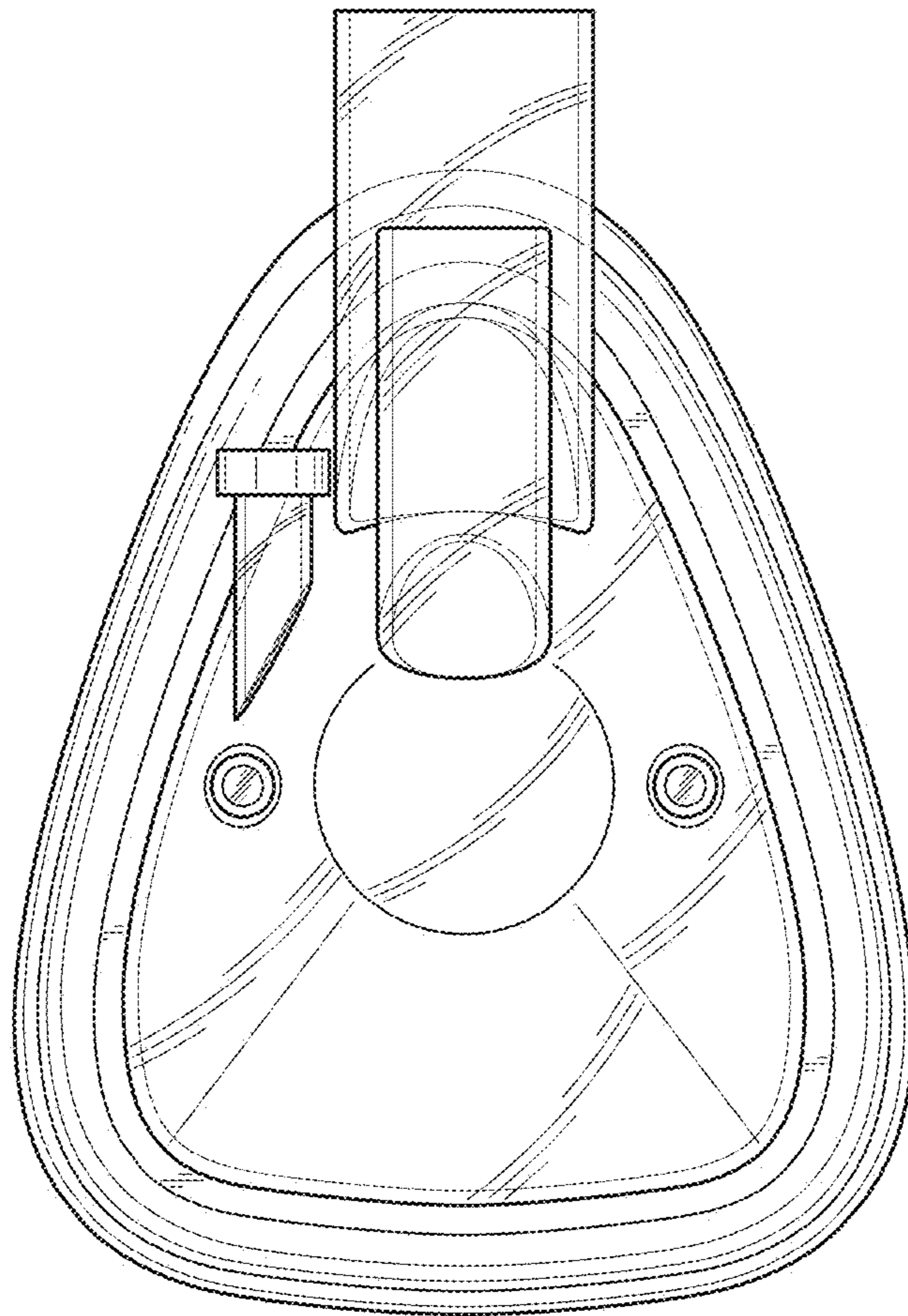


FIG. 36

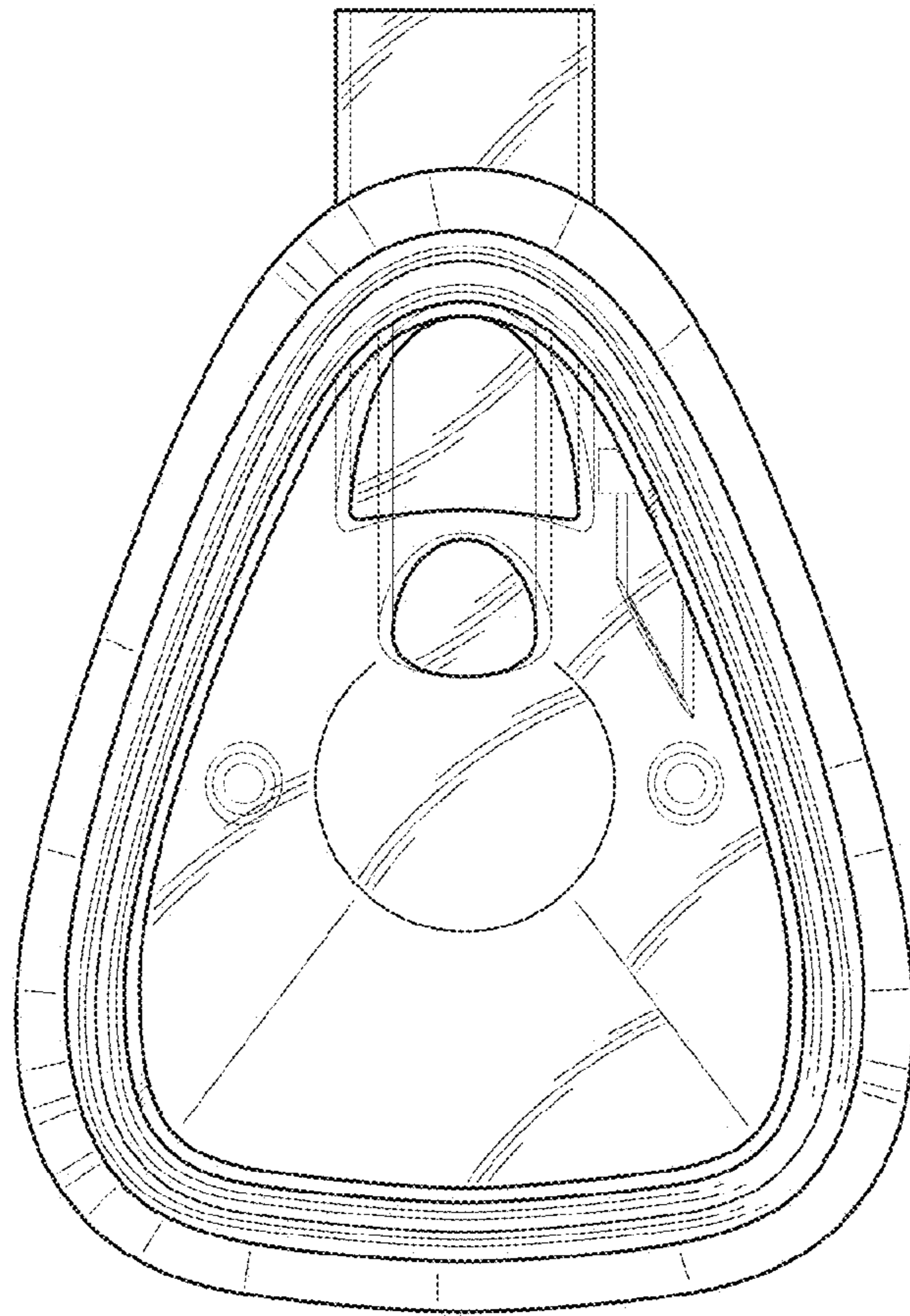


FIG. 37

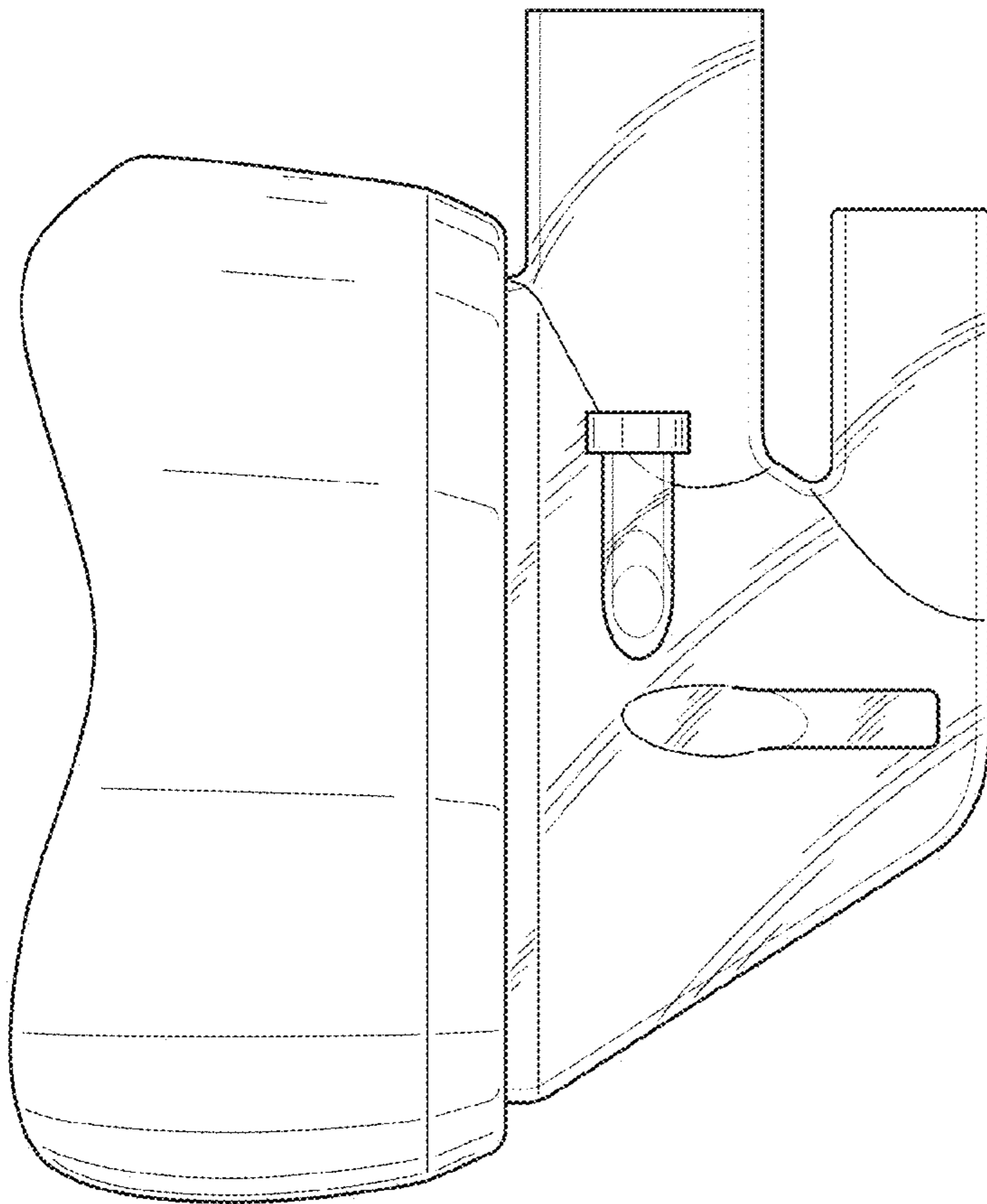


FIG. 38

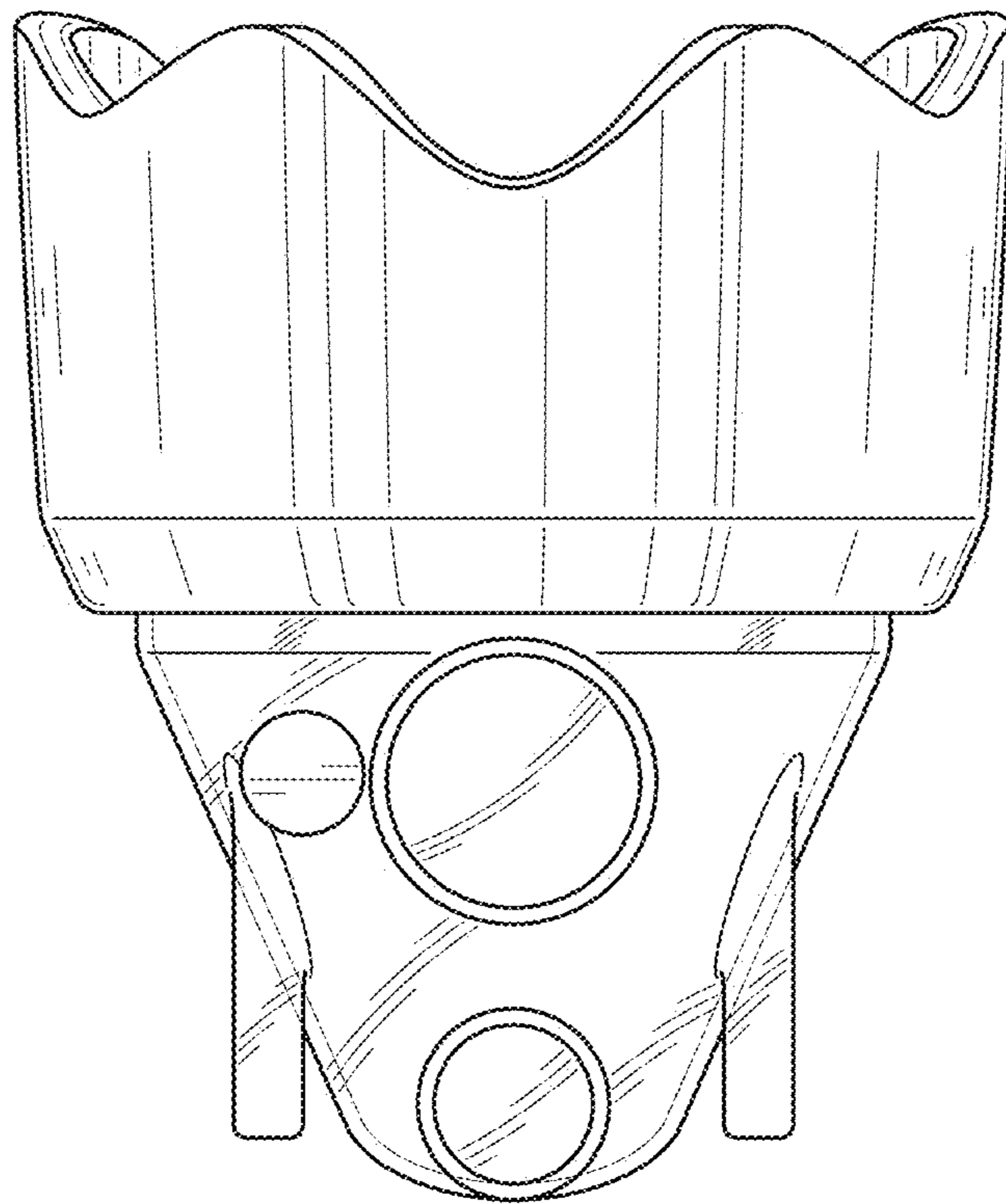


FIG. 39

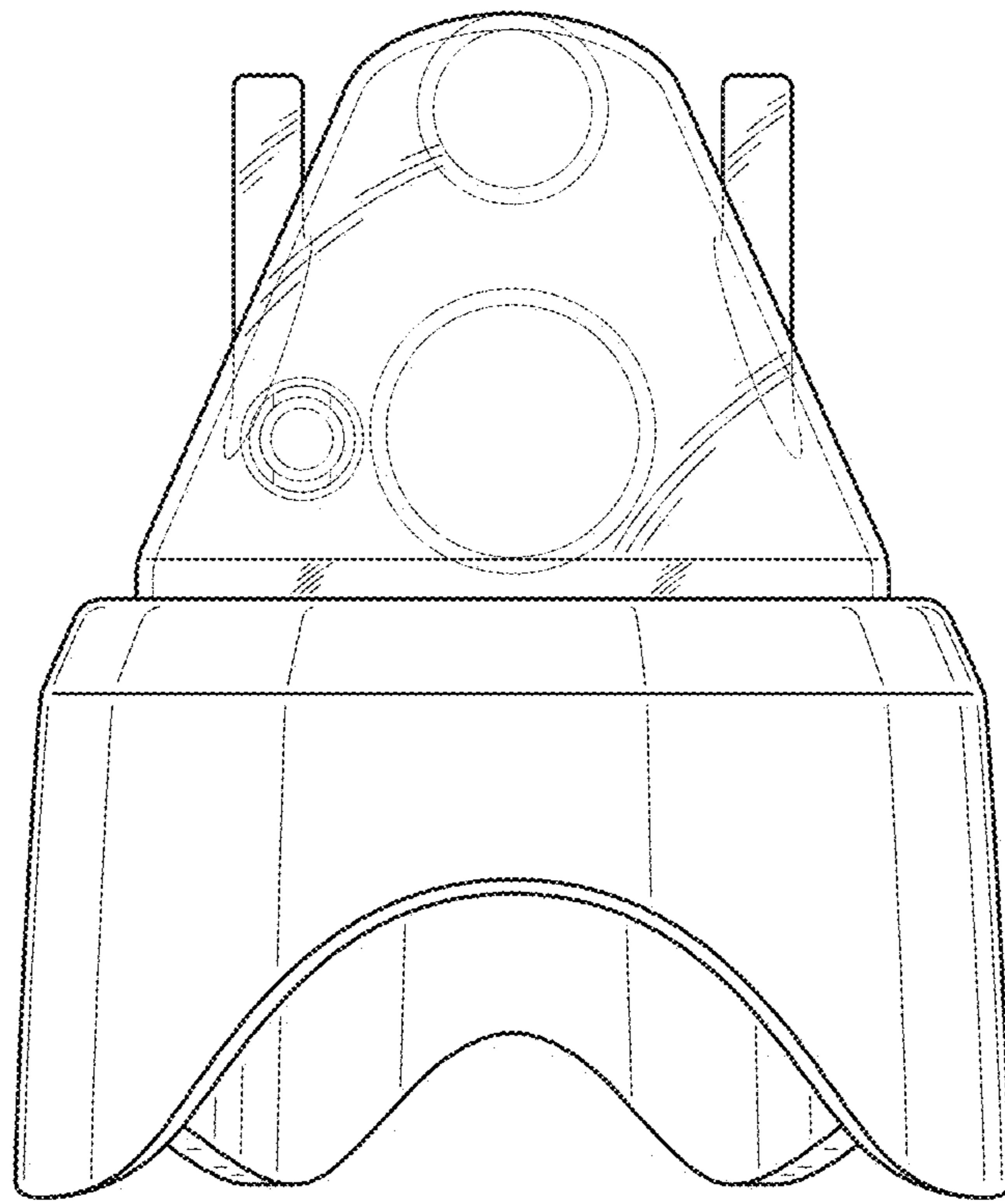


FIG. 40