



US00D753286S

(12) **United States Design Patent**  
**Young et al.**

(10) **Patent No.:** **US D753,286 S**  
(45) **Date of Patent:** **\*\* Apr. 5, 2016**

- (54) **BREATH DETECTION DEVICE**
- (71) Applicant: **TereoPneuma, Inc.**, San Diego, CA (US)
- (72) Inventors: **Warren Gee Young**, San Diego, CA (US); **William James Mazzei**, San Diego, CA (US); **Stephen Winston Roberts**, La Jolla, CA (US)
- (73) Assignee: **TereoPneuma, Inc.**, San Diego, CA (US)
- (\*\*) Term: **14 Years**
- (21) Appl. No.: **29/503,756**
- (22) Filed: **Sep. 29, 2014**
- (51) **LOC (10) Cl.** ..... **29-02**
- (52) **U.S. Cl.**  
USPC ..... **D24/110**
- (58) **Field of Classification Search**  
USPC ..... D24/107, 110–110.6, 127, 129, 164  
CPC ..... A62B 18/00; A62B 18/02; A62B 18/025; A61M 16/0622; A61M 16/06; A61M 16/0616; A61M 16/0003; A61M 2230/40; A61M 2230/50; A61B 5/0878; A61B 5/0816; A61B 5/087; A61B 5/08; A61B 5/082; A61B 5/113  
See application file for complete search history.

5,190,048	A *	3/1993	Wilkinson	.....	A61B 5/0878 600/537
5,311,875	A *	5/1994	Stasz	.....	A61B 5/0878 600/529
7,087,027	B2 *	8/2006	Page	.....	A61B 5/0816 600/537
8,147,420	B2 *	4/2012	Henke	.....	A61B 5/0878 600/529
8,579,829	B2 *	11/2013	Feldman	.....	A61B 5/0803 600/529
2006/0025700	A1 *	2/2006	Fallik	.....	A61B 5/01 600/537
2009/0306528	A1 *	12/2009	Curti	.....	A61B 5/087 600/537
2009/0306529	A1 *	12/2009	Curti	.....	A61B 5/0878 600/537
2011/0301484	A1 *	12/2011	Curti	.....	A61B 5/087 600/537
2012/0203128	A1 *	8/2012	Levison	.....	A61B 5/08 600/537
2015/0306431	A1 *	10/2015	Sibuet	.....	A62B 18/02 128/204.29

\* cited by examiner

*Primary Examiner* — Barbara Fox  
*Assistant Examiner* — Lilyana Bekic  
(74) *Attorney, Agent, or Firm* — Sheppard Mullin Richter & Hampton LLP

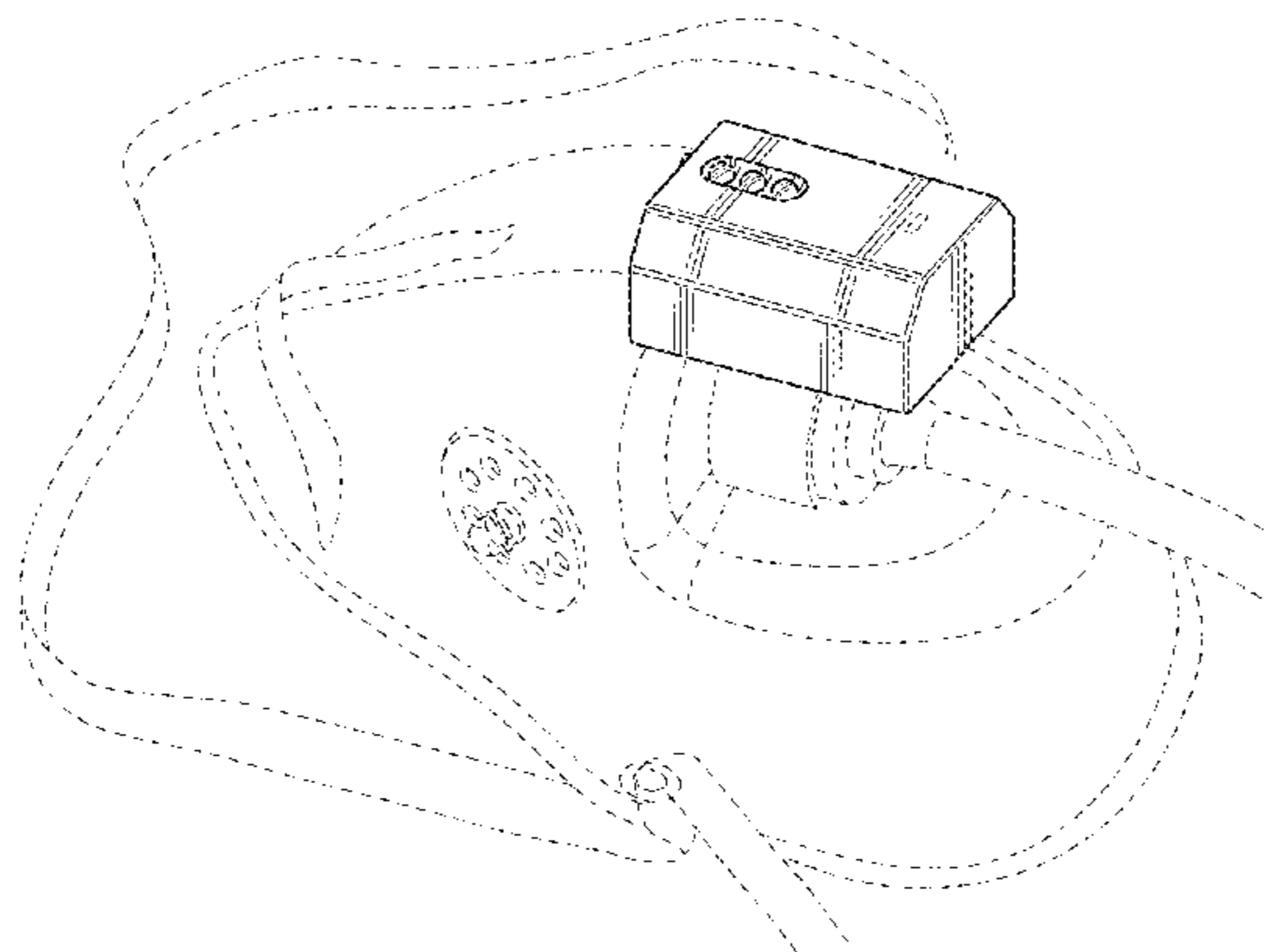
(57) **CLAIM**  
We claim the ornamental design for a breath detection device, as shown and described.

**DESCRIPTION**

FIG. 1 is a perspective view of a breath detection device showing our new design; FIG. 2 is a front view thereof; FIG. 3 is a rear view thereof; FIG. 4 is a top view of thereof; FIG. 5 is a bottom view thereof; FIG. 6 is a right-side view thereof; FIG. 7 is a left-side view thereof; and, FIG. 8 is a perspective view thereof shown in a position of use, attached to a mask assembly. The broken line showing of the mask assembly in FIG. 8 illustrates the environment and forms no part of the claimed design. All other broken lines illustrate portions of the breath detection device which form no part of the claimed design.

**1 Claim, 8 Drawing Sheets**

- (56) **References Cited**  
U.S. PATENT DOCUMENTS
- 2,831,181 A \* 4/1958 Warner ..... A61B 5/0816  
340/595
- 3,232,288 A \* 2/1966 Krobath ..... A61B 5/01  
600/537
- 3,241,549 A \* 3/1966 Tyler ..... A61B 5/0205  
600/537
- 4,202,353 A \* 5/1980 Hirsch ..... A61B 5/0878  
374/E13.002
- 4,777,963 A \* 10/1988 McKenna ..... A61B 5/02427  
600/391
- 5,063,938 A \* 11/1991 Beck ..... A61B 5/0816  
128/200.26
- 5,069,222 A \* 12/1991 McDonald, Jr. .... A61B 5/0816  
600/537



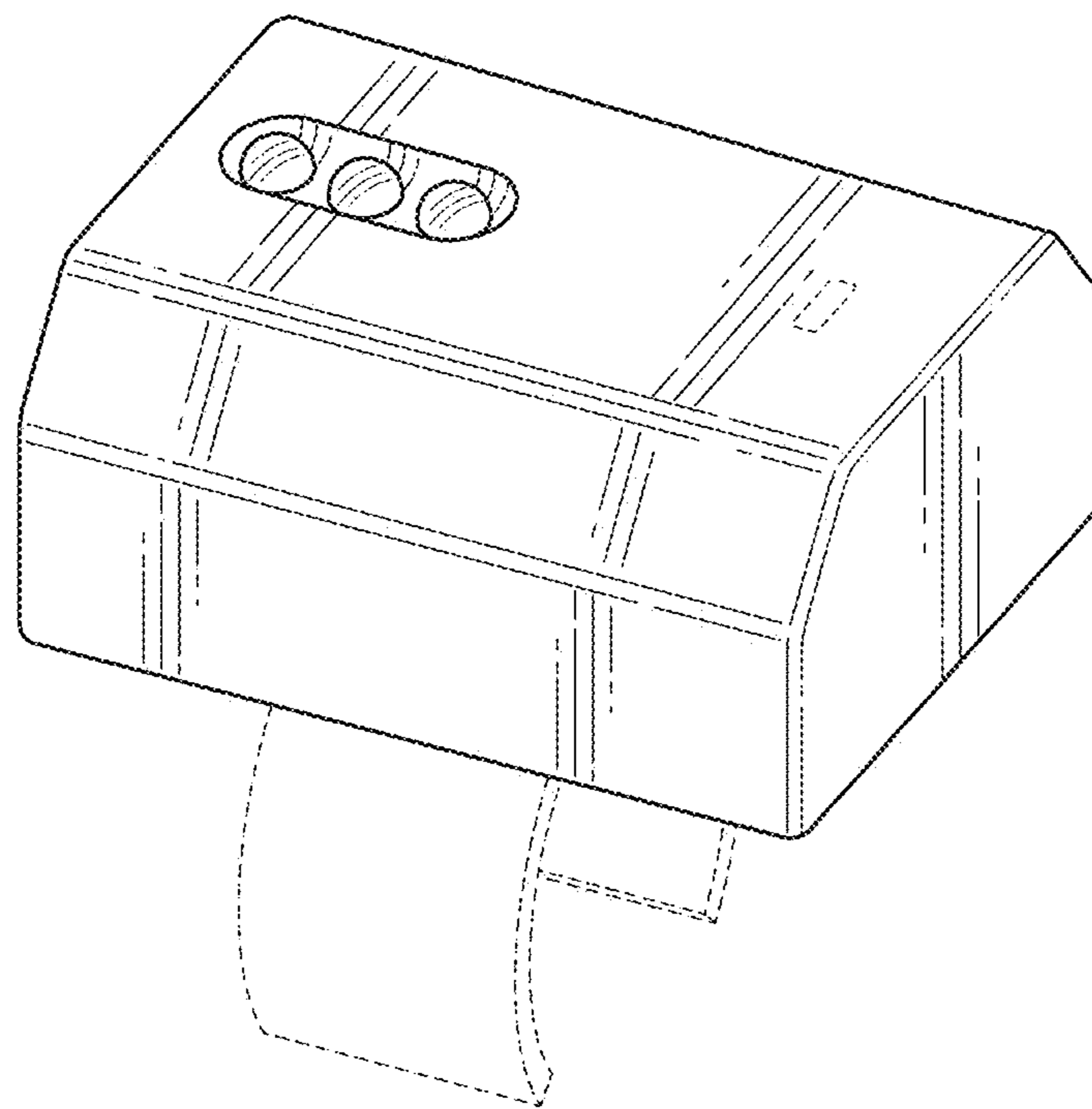


FIG. 1

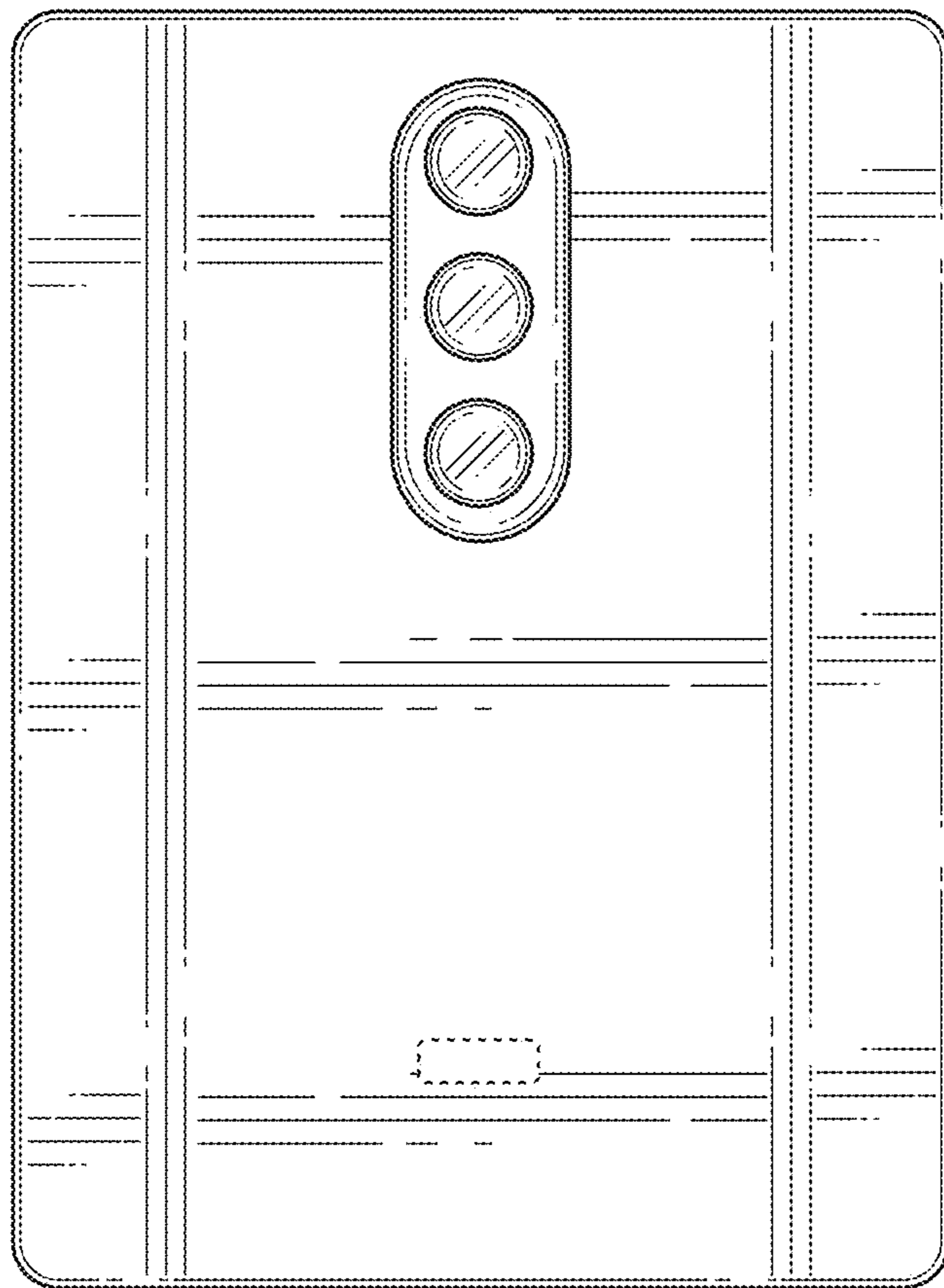


FIG. 2

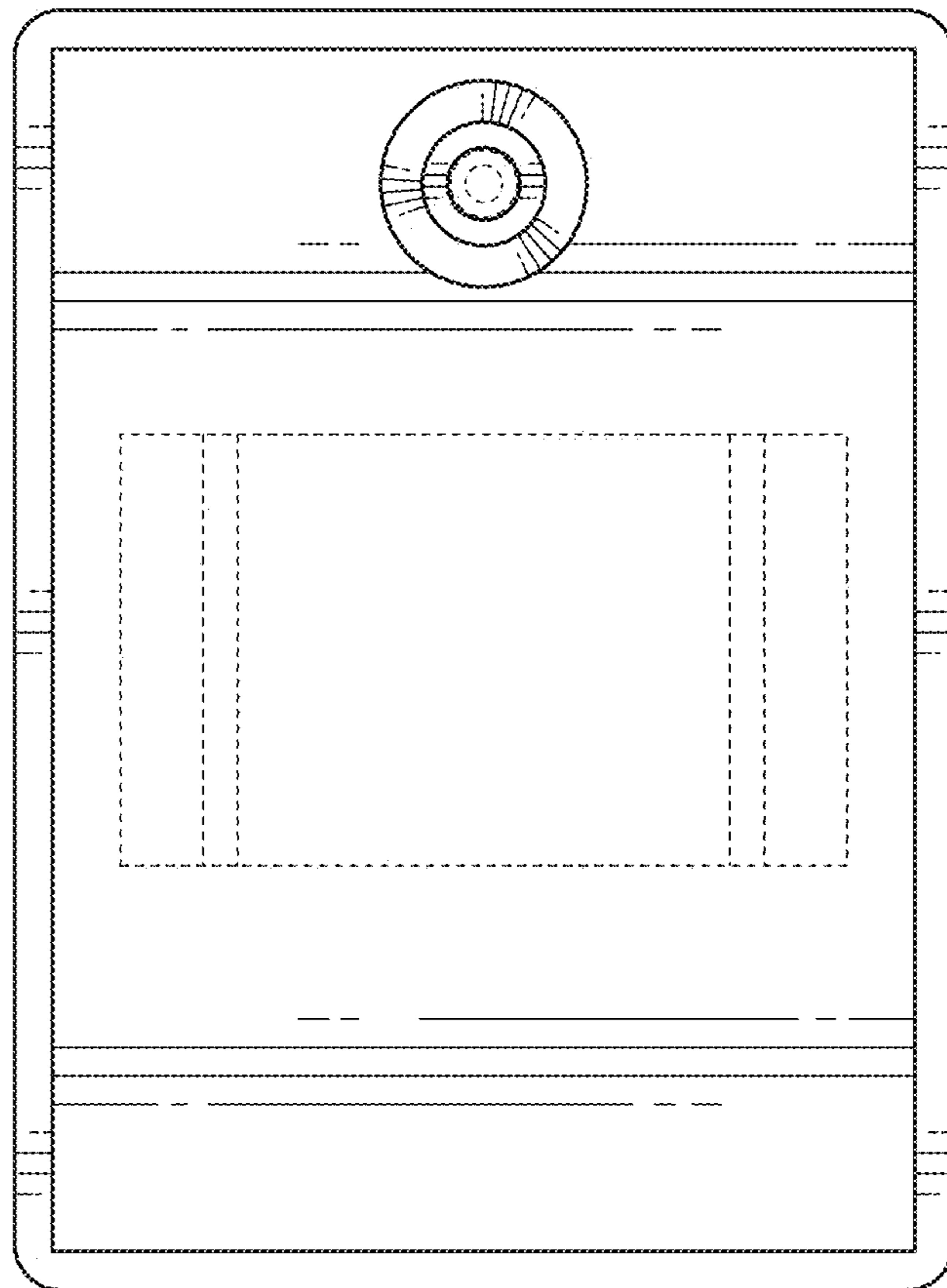


FIG. 3

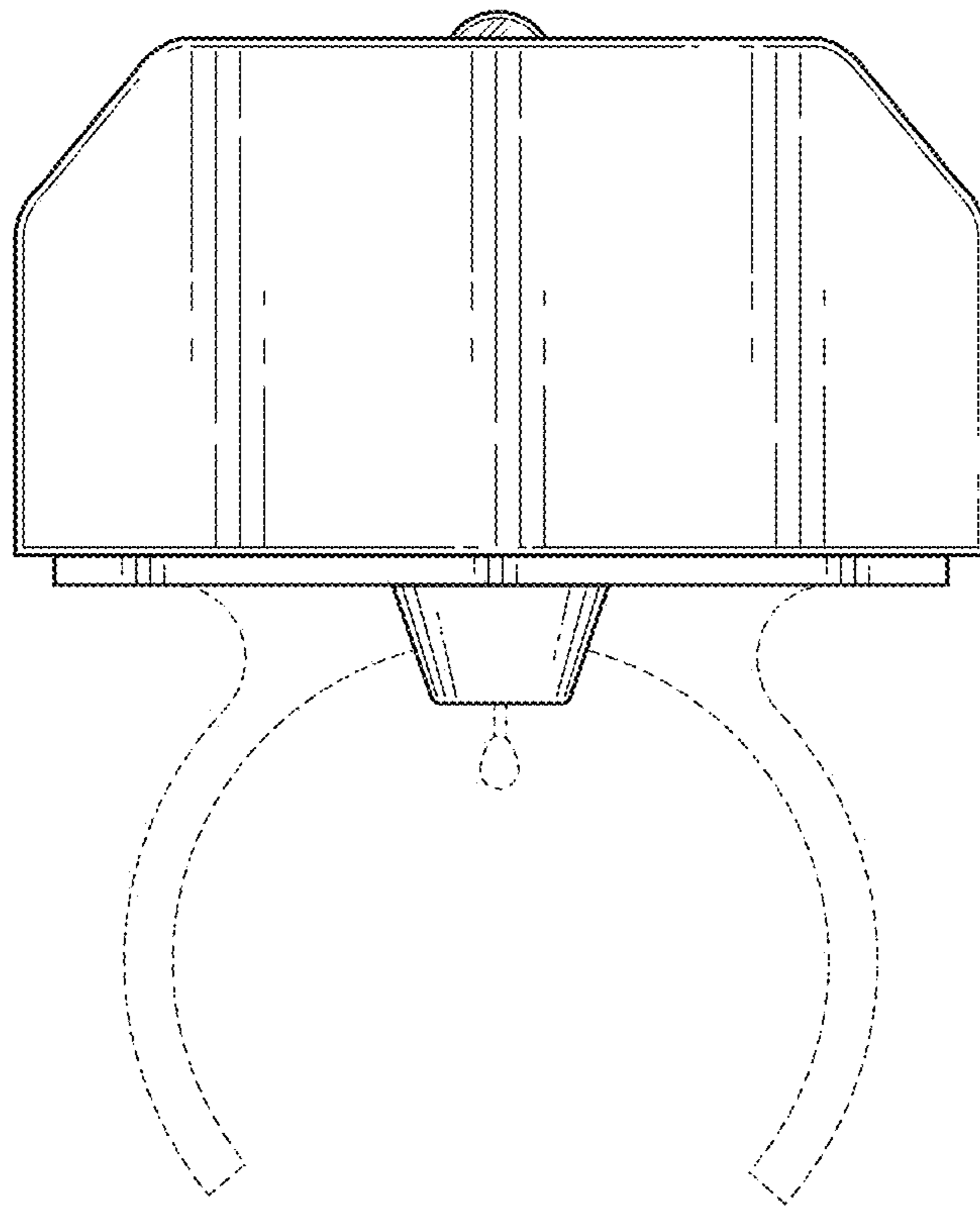


FIG. 4

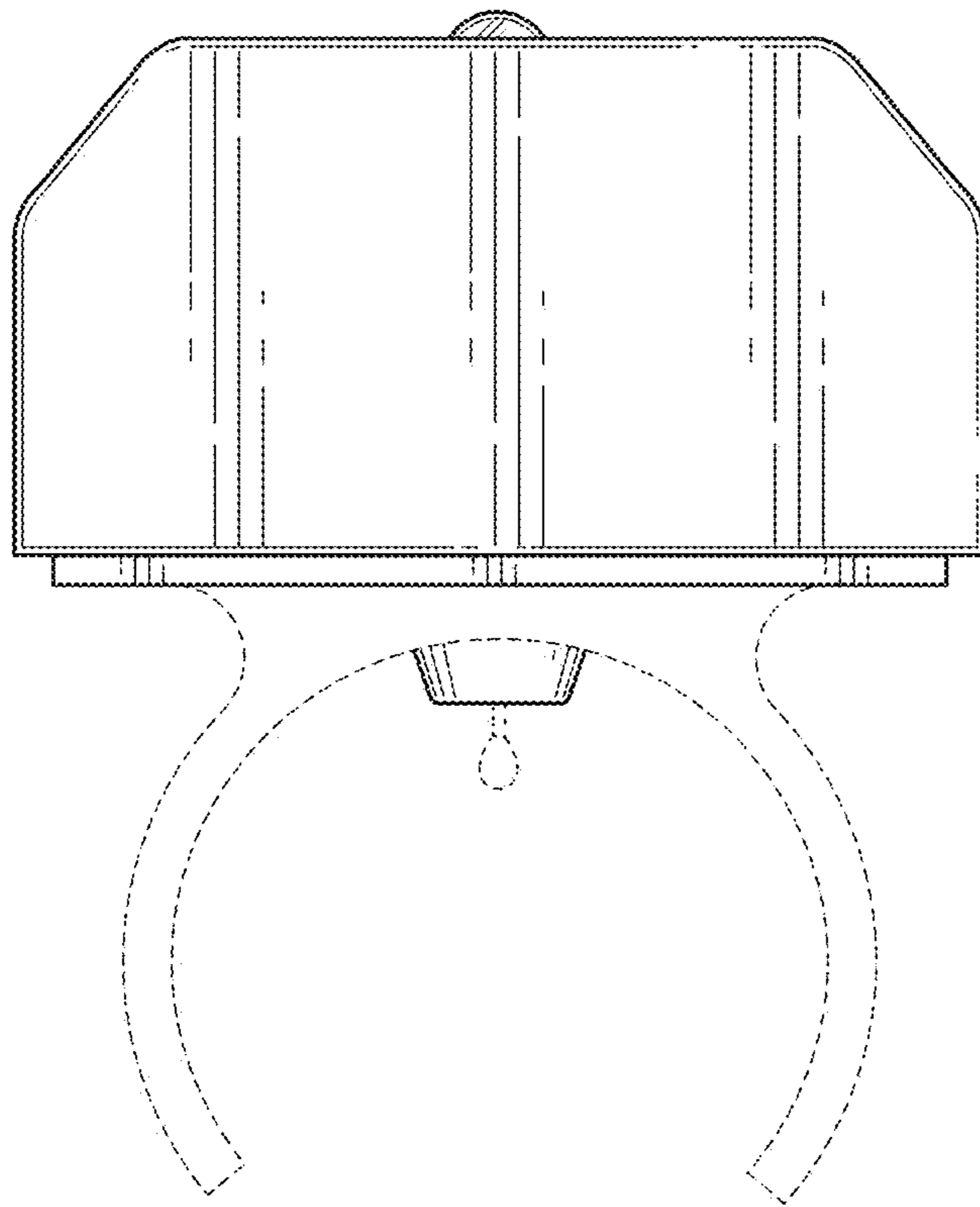


FIG. 5

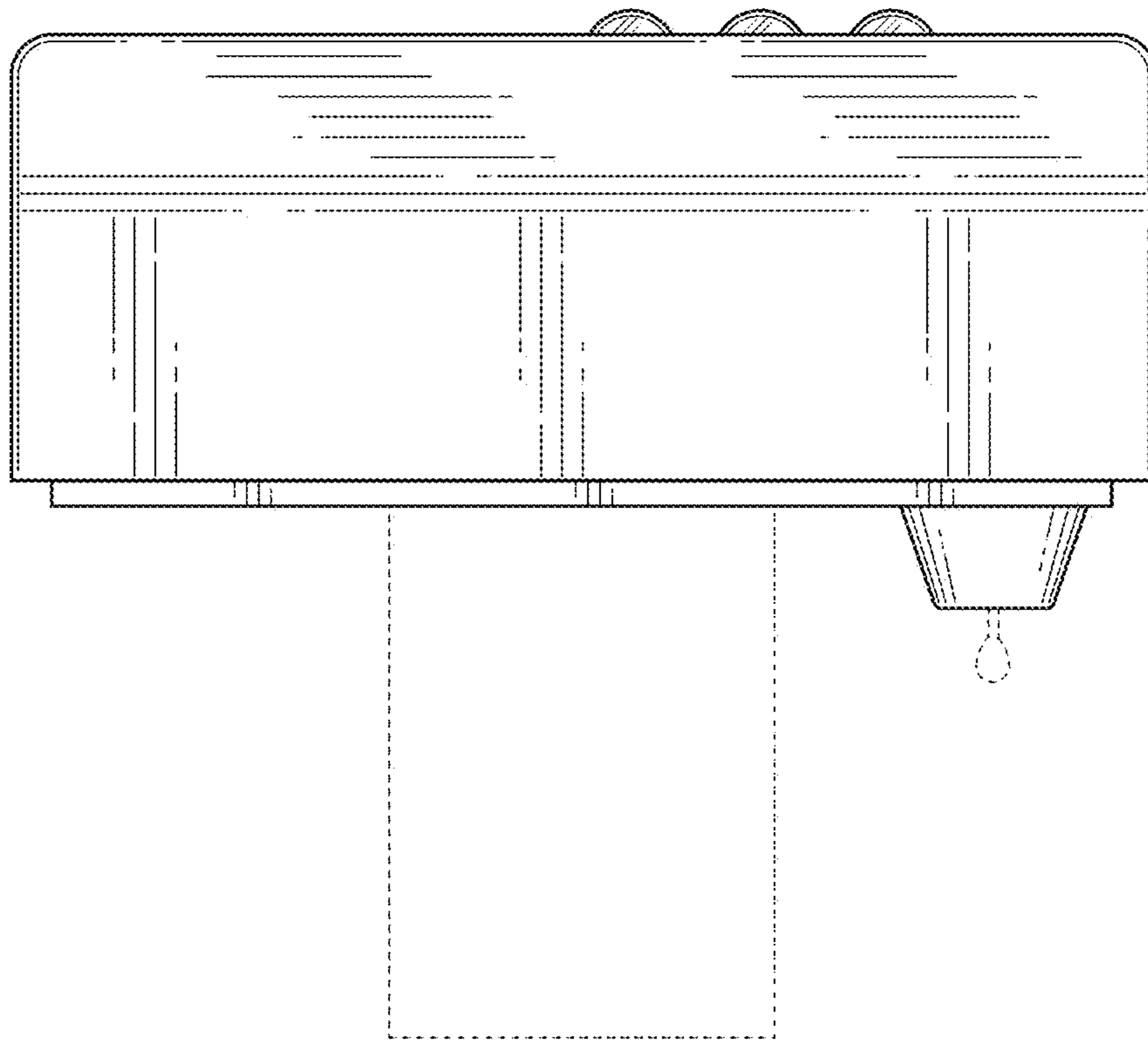


FIG. 6

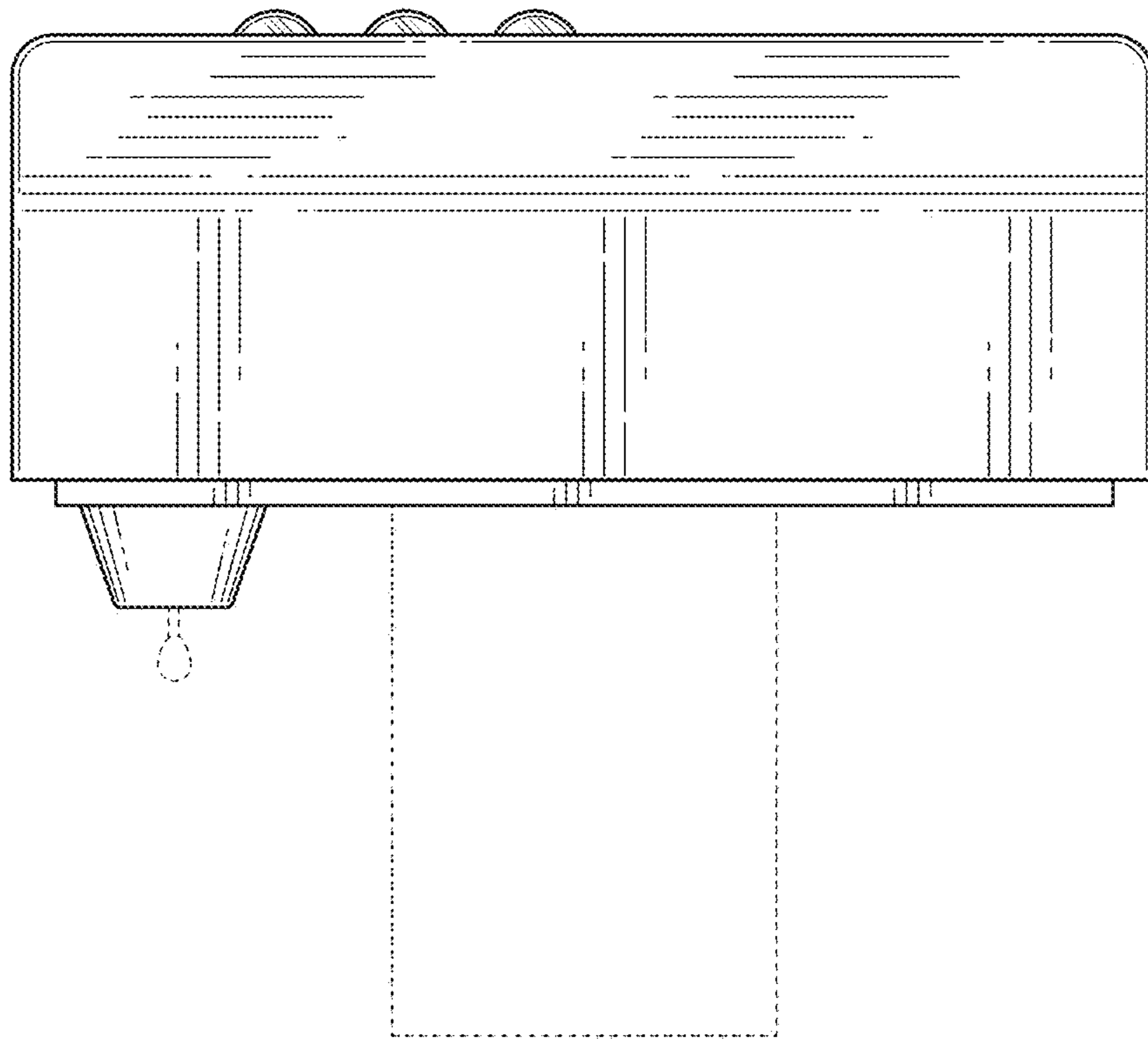


FIG. 7



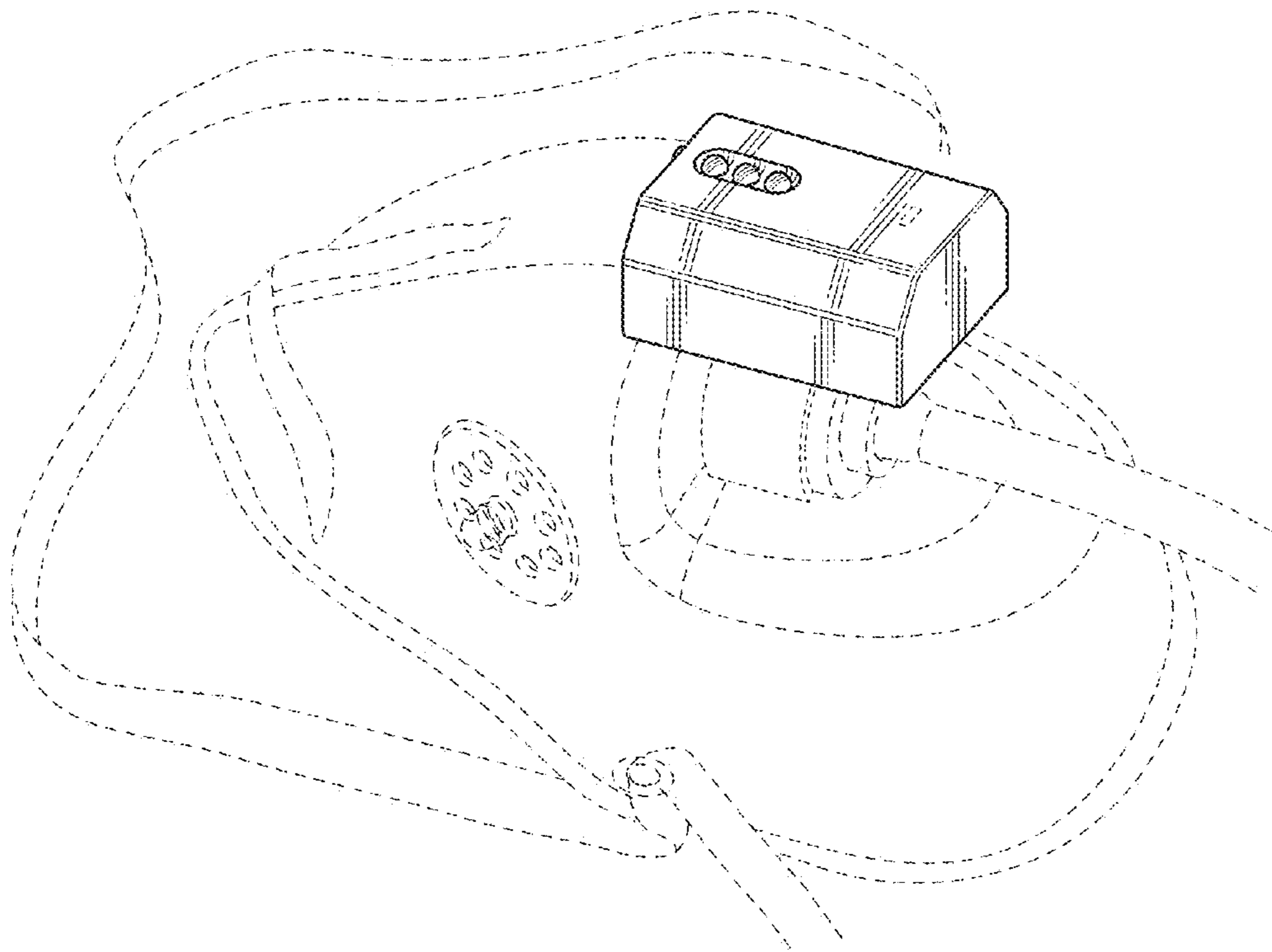


FIG. 8