



US00D753284S

(12) **United States Design Patent**
Burks

(10) **Patent No.:** **US D753,284 S**
(45) **Date of Patent:** **** Apr. 5, 2016**

(54) **EXPIRATORY MUSCLE STRENGTH
TRAINER ADAPTER**

(71) Applicant: **M. LaQuisha Burks**, Jackson, MS (US)

(72) Inventor: **M. LaQuisha Burks**, Jackson, MS (US)

(**) Term: **14 Years**

(21) Appl. No.: **29/457,740**

(22) Filed: **Jun. 12, 2013**

(51) **LOC (10) Cl.** **29-02**

(52) **U.S. Cl.**
USPC **D24/110**

(58) **Field of Classification Search**
USPC D24/110, 164, 127-129; 600/532,
600/538-540, 533-534, 529; 482/13, 93,
482/111, 112; 137/107, 801; 128/200.12,
128/200.14, 200.23, 200.24, 202.16,
128/203.12, 205.27, 207.16, 860; 84/330,
84/386, 377, 456, 93; 116/139-141
CPC A63B 2071/0625; A63B 2230/433;
A63B 2230/50; A63B 21/00192
See application file for complete search history.

(56) **References Cited**

U.S. PATENT DOCUMENTS

29,915	A *	9/1860	Ray	116/141
742,375	A *	10/1903	Ray	116/141
821,358	A *	5/1906	Ray	116/141
846,961	A *	3/1907	Ray	116/138
1,821,655	A *	9/1931	Loomis	84/386
D185,659	S *	7/1959	Campbell	D23/263
D254,324	S	2/1980	Thead, Jr.	
D254,443	S	3/1980	Adams	
4,221,381	A	9/1980	Ericson	
4,291,704	A *	9/1981	Petty et al.	600/541
D269,124	S	5/1983	McCombs et al.	
4,739,987	A *	4/1988	Nicholson	482/13
4,770,413	A *	9/1988	Green	482/13
4,854,574	A	8/1989	Larson et al.	
5,165,393	A *	11/1992	Kawaguchi	128/200.24

5,245,991	A *	9/1993	Kawaguchi	128/200.24
5,439,430	A *	8/1995	Rubens et al.	482/13
5,810,044	A *	9/1998	Saidi	137/272
5,890,998	A *	4/1999	Hougen	482/13
5,899,832	A *	5/1999	Hougen	482/13
6,026,807	A *	2/2000	Puderbaugh et al.	128/200.23
6,167,881	B1 *	1/2001	Hughes	128/200.24
D450,381	S *	11/2001	Weinstein et al.	D24/110
6,500,095	B1 *	12/2002	Hougen	482/13
6,631,716	B1	10/2003	Robinson et al.	
6,718,969	B1 *	4/2004	Rubin et al.	128/200.14
6,729,326	B1 *	5/2004	Winterton et al.	128/203.12
D550,846	S *	9/2007	Sawford	D24/180

(Continued)

Primary Examiner — Wan Laymon

Assistant Examiner — Mark Booker

(74) *Attorney, Agent, or Firm* — Kirk A. Buhler; Buhler & Associates

(57) **CLAIM**

The ornamental design for an expiratory muscle strength trainer adapter, as shown and described.

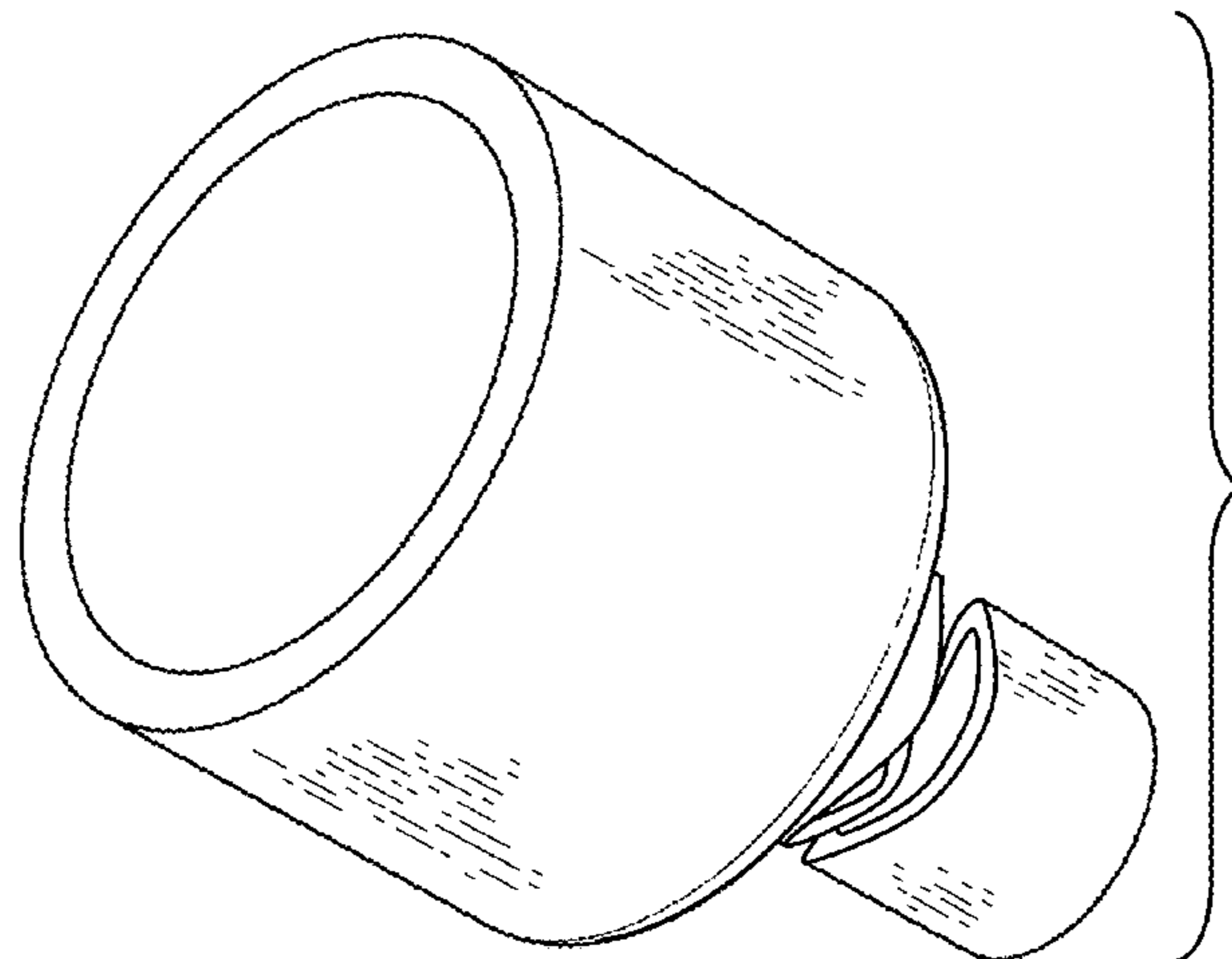
DESCRIPTION

FIG. 1 is a rear perspective view for an expiratory muscle strength trainer adapter showing my new design; FIG. 2 is a front perspective view thereof; FIG. 3 is a rear side view thereof; FIG. 4 is a front side view thereof; FIG. 5 is a right side view, the left, top, and bottom being the same image thereof; FIG. 6 is a side sectional view taken along lines 6-6 from FIG. 4 thereof; and, FIG. 7 is a rear perspective view shown in an environment of use.

The broken lines in FIG. 7 depict environmental subject matter used with the invention only and form no part of the claimed design.

The broken away symbols in the drawings indicate that any portion of the article beyond what is shown forms a part of the claimed design.

1 Claim, 4 Drawing Sheets



(56)

References Cited

U.S. PATENT DOCUMENTS

7,465,213	B1 *	12/2008	Pribbanow	446/202	2002/0029779	A1 *	3/2002	Schmidt et al.	128/205.25
7,861,710	B2	1/2011	Ingenito			2003/0226562	A1 *	12/2003	Schmidt et al.	128/200.24
8,109,266	B2 *	2/2012	Addington et al.	128/203.12	2006/0090753	A1 *	5/2006	Pelerossi et al.	128/200.24
8,118,713	B2	2/2012	Foley			2007/0089740	A1 *	4/2007	Baumert et al.	128/203.12
8,225,785	B2 *	7/2012	Richards et al.	128/204.12	2008/0096728	A1 *	4/2008	Foley et al.	482/13
8,327,849	B2 *	12/2012	Foley et al.	128/205.24	2010/0022819	A1 *	1/2010	Randall	600/27
8,382,644	B1 *	2/2013	Suprun	482/13	2011/0201956	A1 *	8/2011	Alferness et al.	600/532
D692,555	S *	10/2013	Maksym et al.	D24/110.5	2013/0133649	A1 *	5/2013	Grychowski et al.	128/203.12
						2014/0048062	A1 *	2/2014	Faram	128/200.18
						2014/0116426	A1 *	5/2014	Mullinger et al.	128/200.14
						2014/0150801	A1 *	6/2014	Rusher	128/207.16

* cited by examiner

FIG. 1

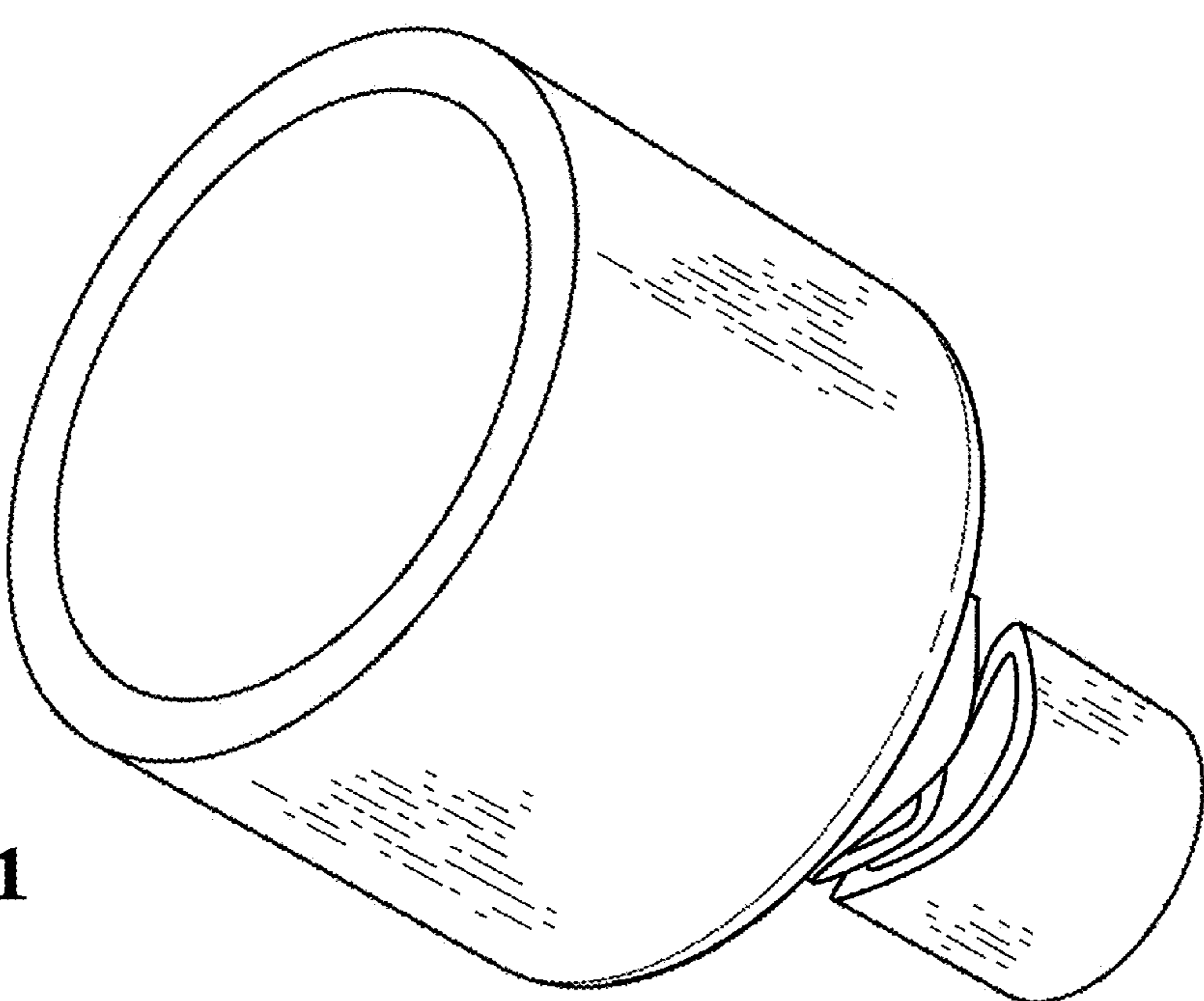
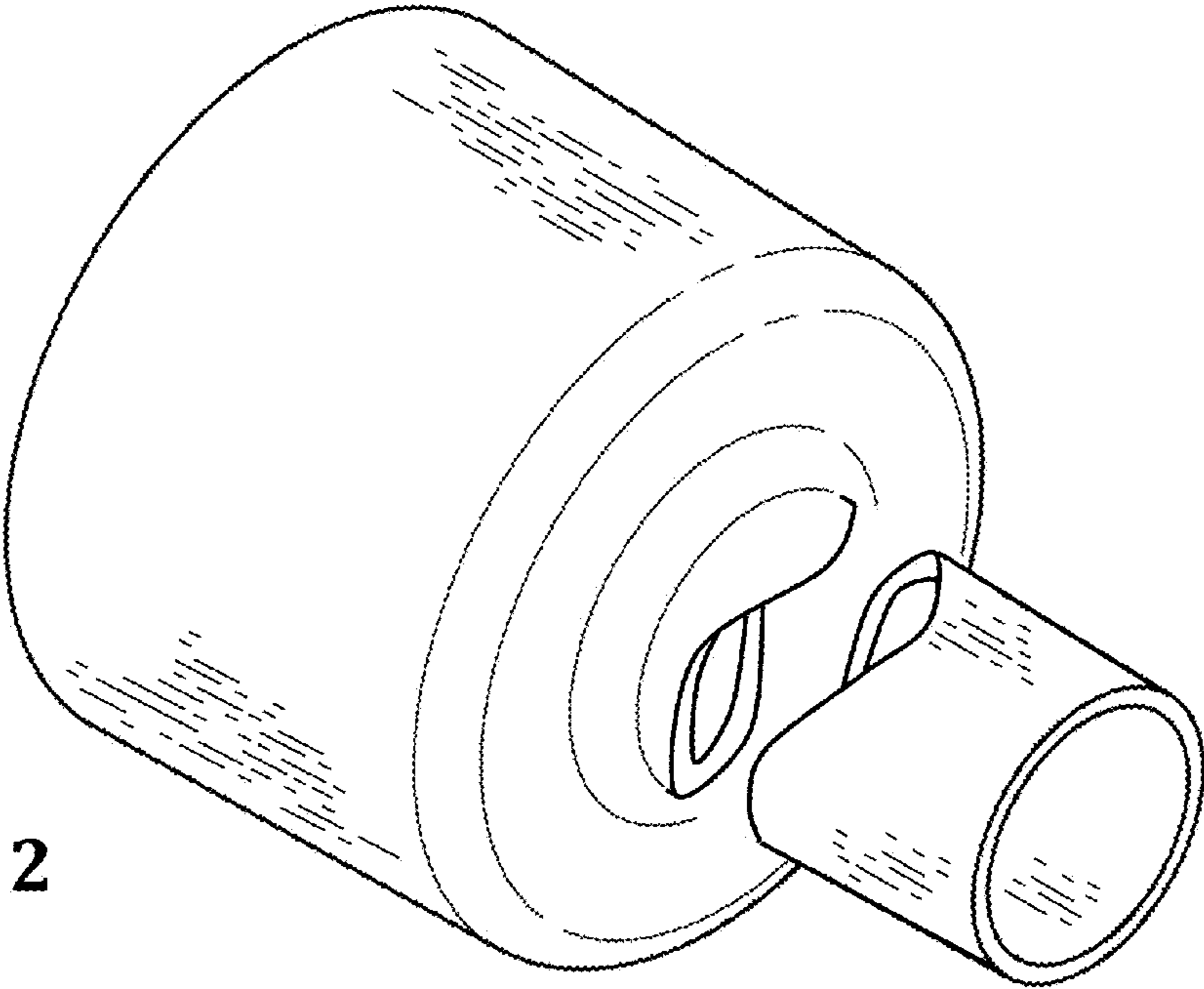


FIG. 2



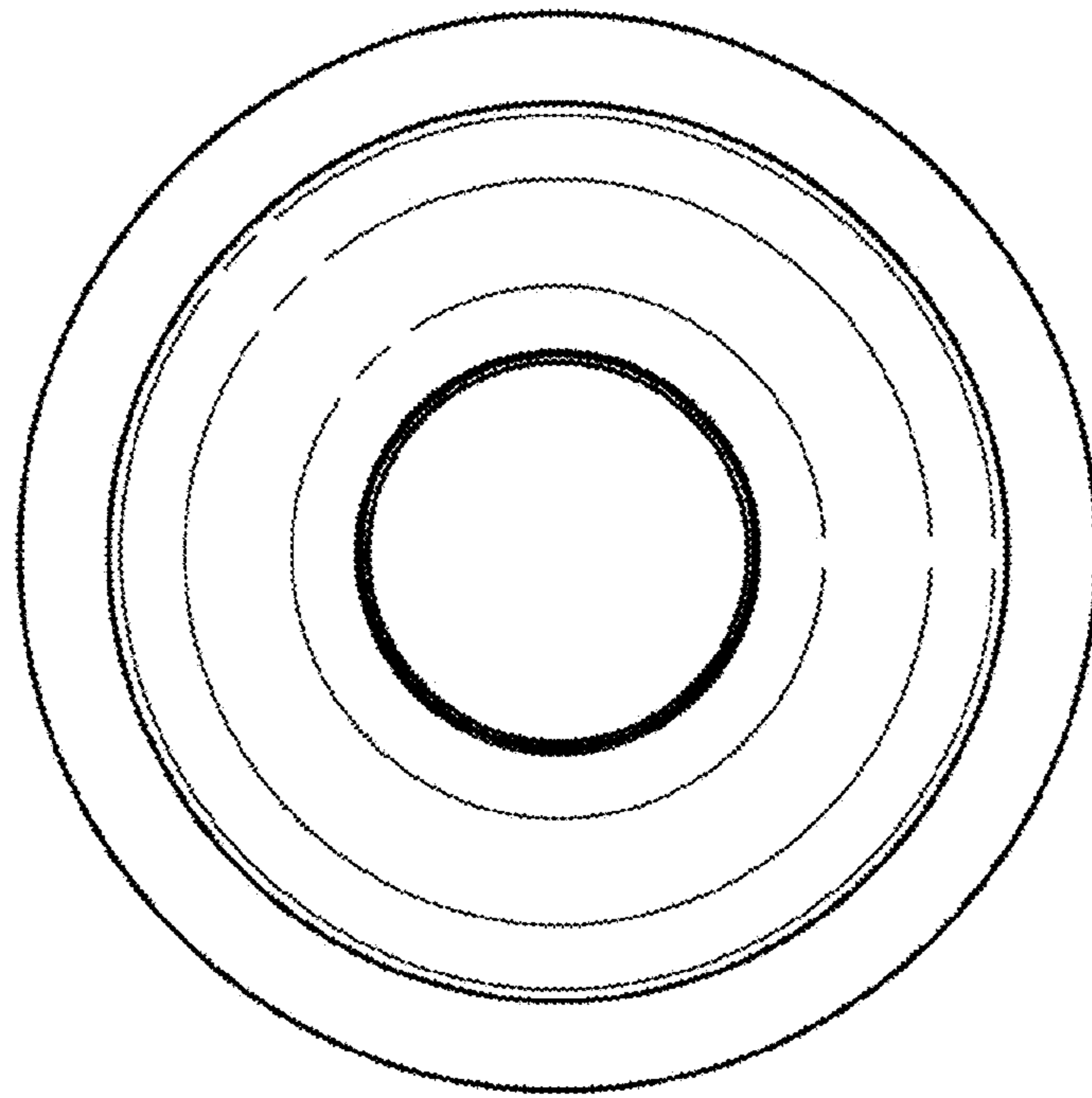


FIG 3

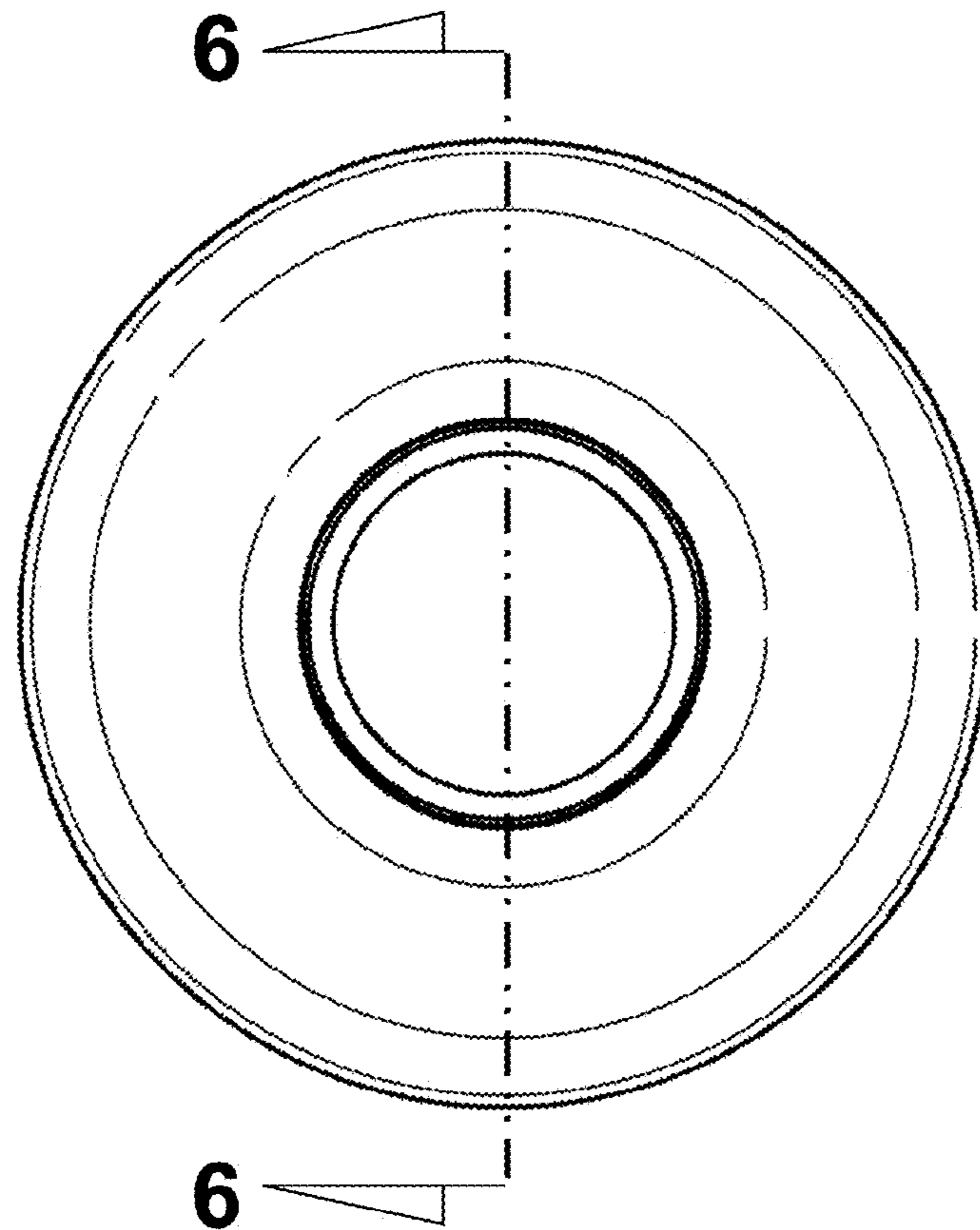


FIG 4

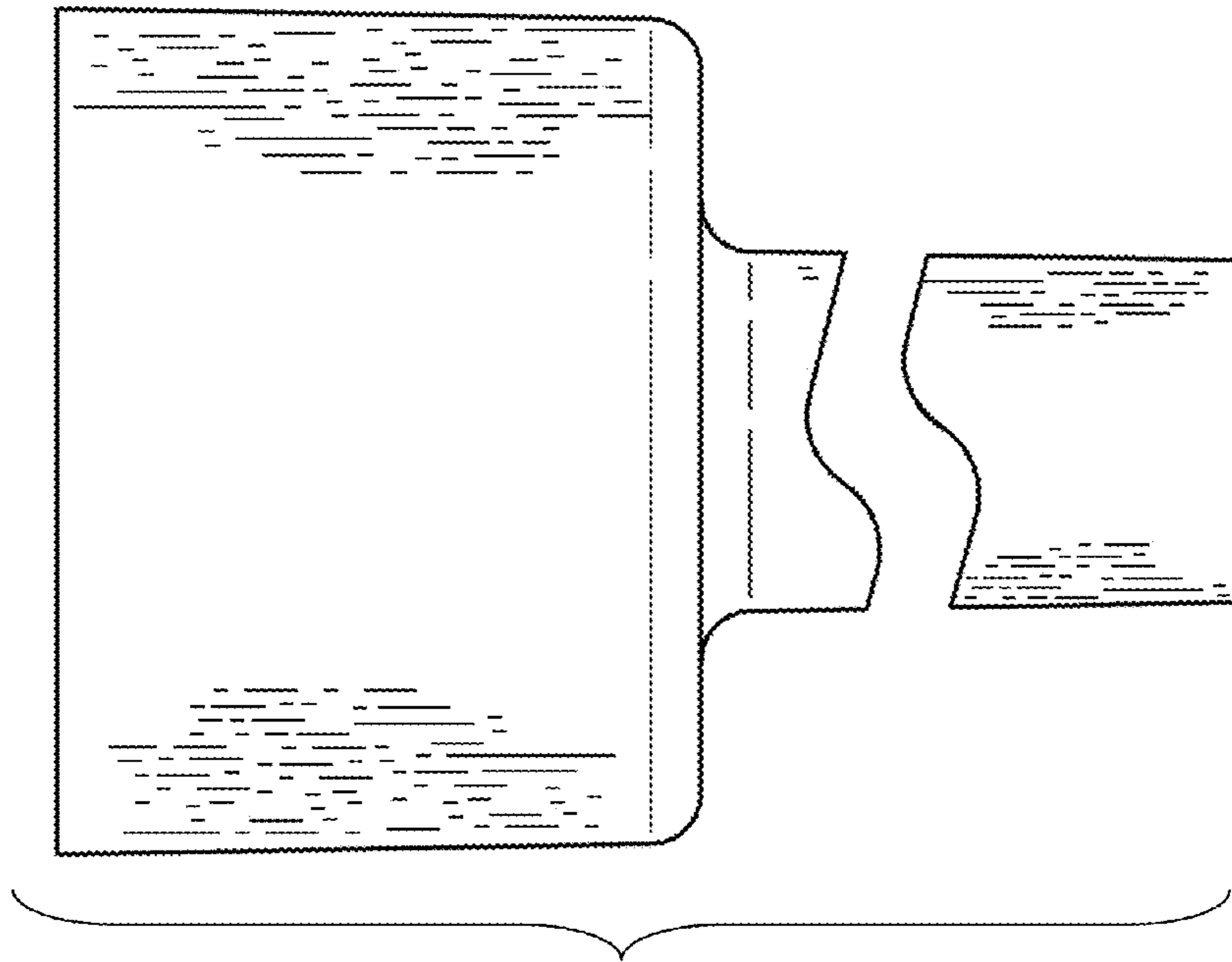


FIG 5

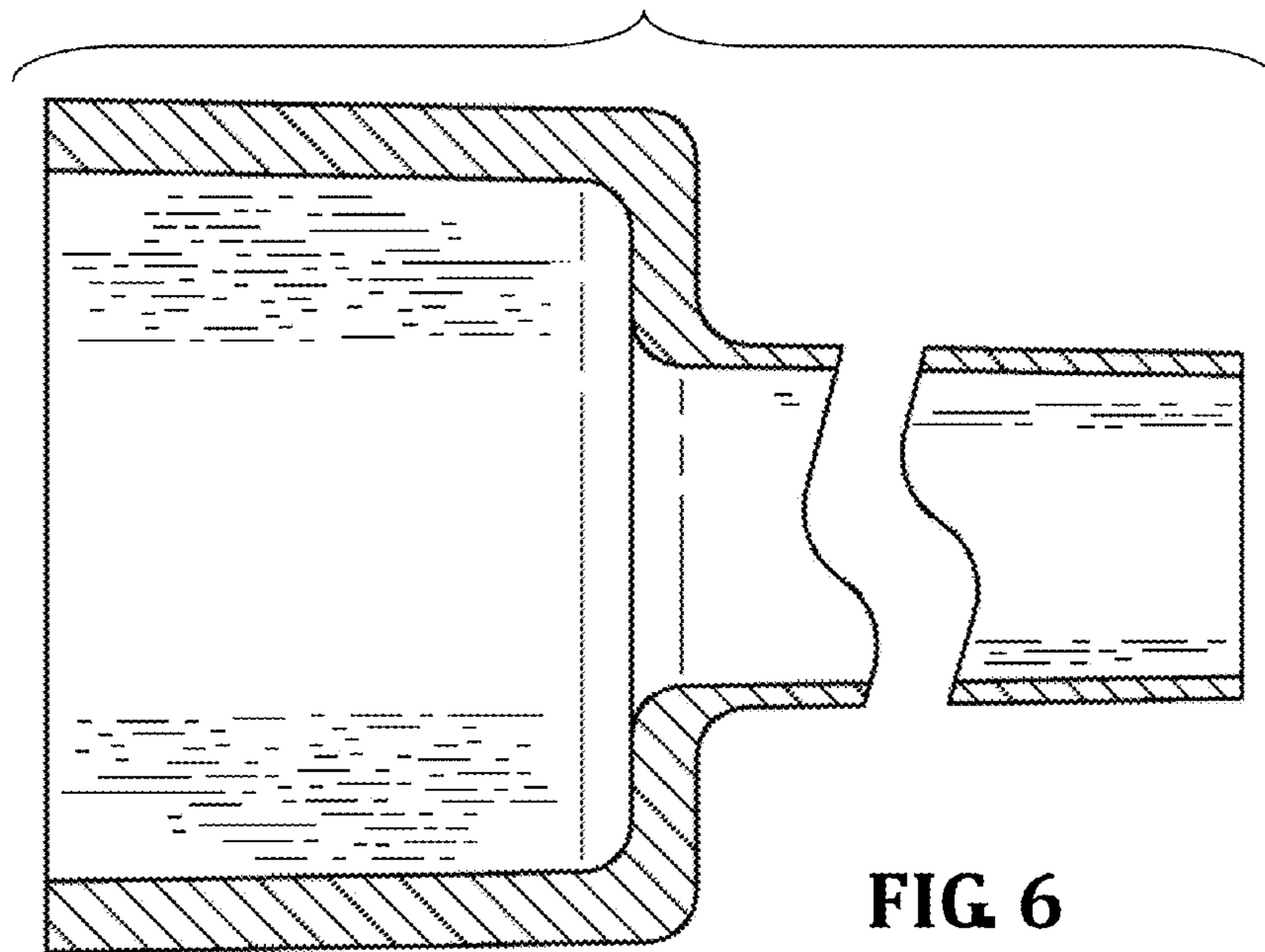


FIG 6

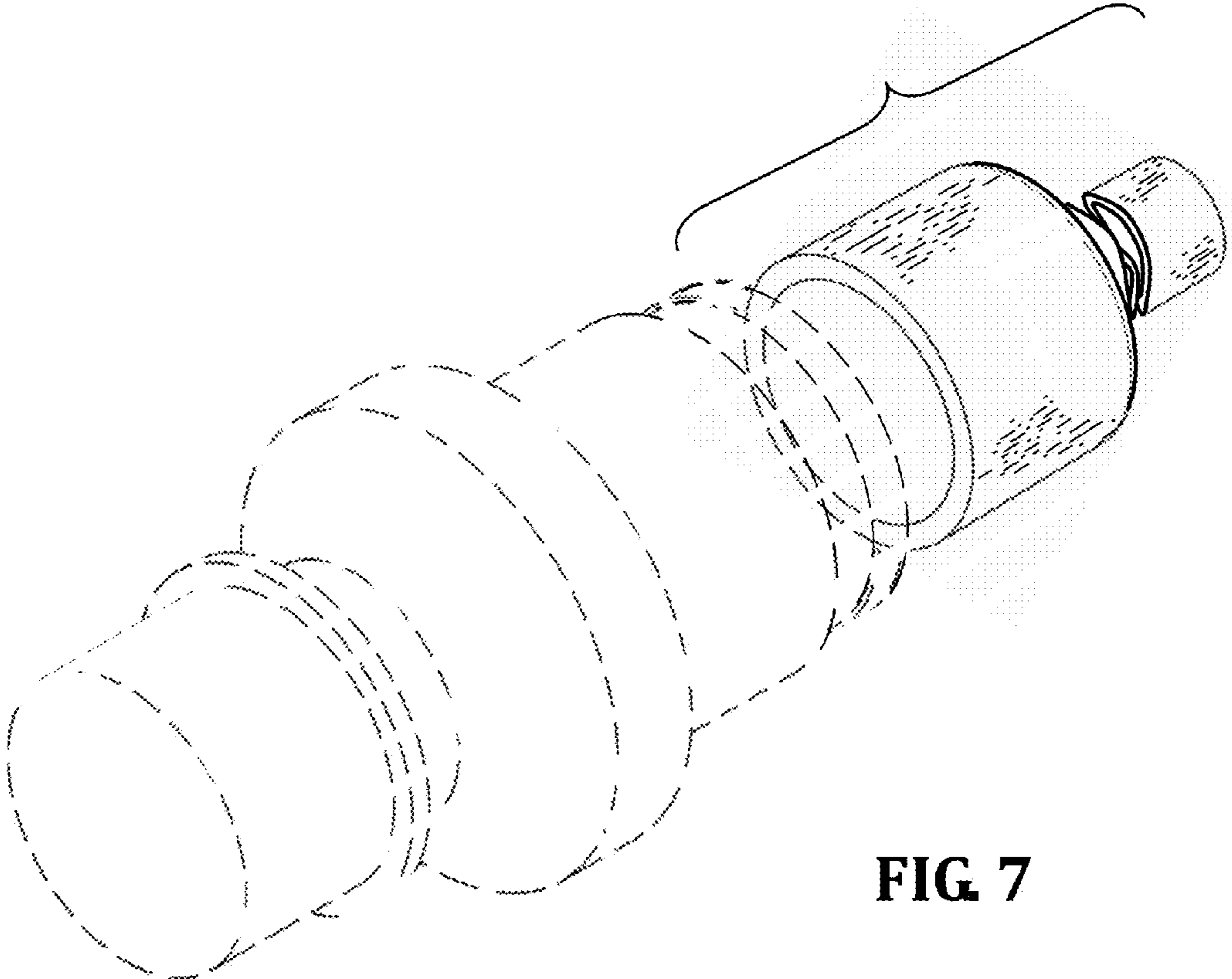


FIG. 7