



US00D753283S

(12) **United States Design Patent**
Efinger

(10) **Patent No.:** **US D753,283 S**
(45) **Date of Patent:** **** Apr. 5, 2016**

(54) **MEDICAL INSTRUMENT FOR SUCTION AND IRRIGATION**

(71) Applicant: **KARL STORZ GmbH & Co. KG**,
Tuttlingen (DE)

(72) Inventor: **Andreas Efinger**, Rietheim (DE)

(73) Assignee: **KARL STORZ GmbH & Co. KG**,
Tuttlingen (DE)

(**) Term: **14 Years**

(21) Appl. No.: **29/509,365**

(22) Filed: **Nov. 17, 2014**

(30) **Foreign Application Priority Data**

May 16, 2014 (EM) 002465666-0001

(51) **LOC (10) Cl.** **24-01**

(52) **U.S. Cl.**
USPC **D24/108**

(58) **Field of Classification Search**
USPC D24/107, 108, 111, 113, 127
CPC A61M 1/0039; A61M 1/0064; A61M
1/0041; A61M 1/0058; A61C 17/0202;
A61C 17/0211; A61C 17/04; A61C 17/0208
See application file for complete search history.

(56) **References Cited**

U.S. PATENT DOCUMENTS

D223,247 S * 4/1972 Brodsky et al. D24/112
3,749,090 A * 7/1973 Stewart A61M 1/0064
604/33
D241,476 S * 9/1976 Lahay D24/112
4,487,600 A * 12/1984 Brownlie A61M 1/008
433/95
4,878,900 A * 11/1989 Sundt A61M 1/0039
285/921
5,152,744 A * 10/1992 Krause A61B 17/32002
604/22
5,348,555 A * 9/1994 Zinnanti A61B 18/1482
604/21
D353,453 S * 12/1994 O'Toole D24/108
D420,131 S * 2/2000 Renner D24/138

D434,140 S * 11/2000 Phelan D24/108
D559,980 S * 1/2008 Rehbein D24/133
D570,479 S * 6/2008 Rehbein D24/108
D570,480 S * 6/2008 Rehbein D24/108
D570,481 S * 6/2008 Rehbein D24/112
D571,458 S * 6/2008 Kataoka D24/108
D590,945 S * 4/2009 Berberich D24/133
D674,082 S * 1/2013 Efinger D24/108
D674,090 S * 1/2013 Campo D24/138
D727,499 S * 4/2015 Schad D24/146
D729,384 S * 5/2015 Renner D24/138
2007/0225636 A1 * 9/2007 Hahn A61M 1/008
604/35
2012/0289941 A1 * 11/2012 Salehi A61M 1/008
604/540
2013/0245613 A1 * 9/2013 Salehi A61C 17/043
604/540

(Continued)

Primary Examiner — Barbara Fox

Assistant Examiner — Lilyana Bekic

(74) *Attorney, Agent, or Firm* — Muncy, Geissler, Olds & Lowe, P.C.

(57) **CLAIM**

The ornamental design for a medical instrument for suction and irrigation, as shown and described.

DESCRIPTION

FIG. 1 is a front side perspective view of a medical instrument for suction and irrigation according to the present invention. FIG. 2 is a left view of the medical instrument for suction and irrigation of FIG. 1.

FIG. 3 is a right view of the medical instrument for suction and irrigation of FIG. 1.

FIG. 4 is a top view of the medical instrument for suction and irrigation of FIG. 1.

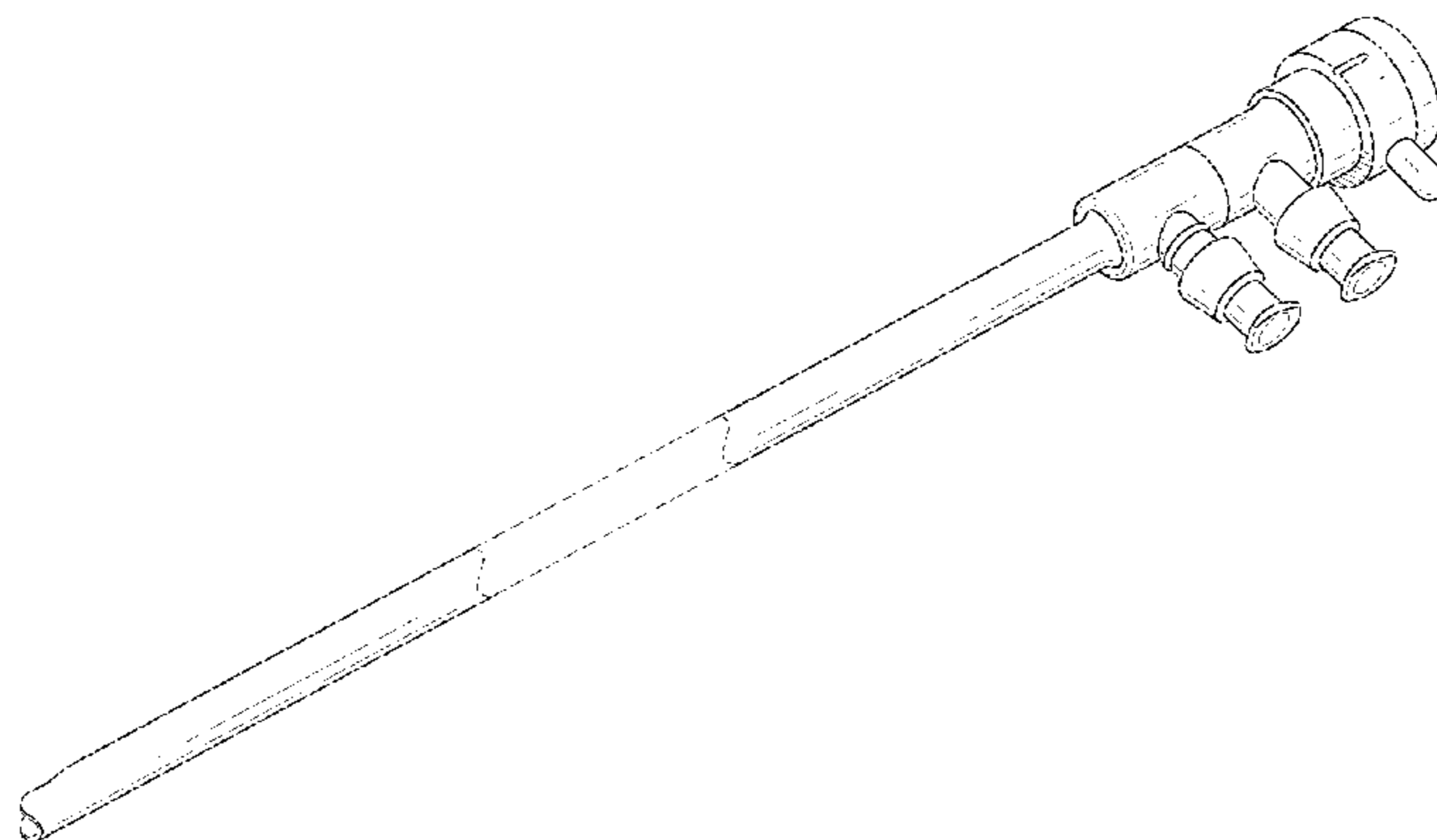
FIG. 5 is a bottom view of the medical instrument for suction and irrigation of FIG. 1.

FIG. 6 is an enlarged front view of the medical instrument for suction and irrigation of FIG. 1; and,

FIG. 7 is an enlarged rear view of the medical instrument for suction and irrigation of FIG. 1.

The dashed lines illustrate portions of the medical instrument for suction and irrigation which form no part of the claimed design.

1 Claim, 7 Drawing Sheets



(56)

References Cited

2014/0316357 A1* 10/2014 Adams A61M 1/0031
604/319

U.S. PATENT DOCUMENTS

2014/0207056 A1* 7/2014 Bono A61M 3/0283
604/34

* cited by examiner

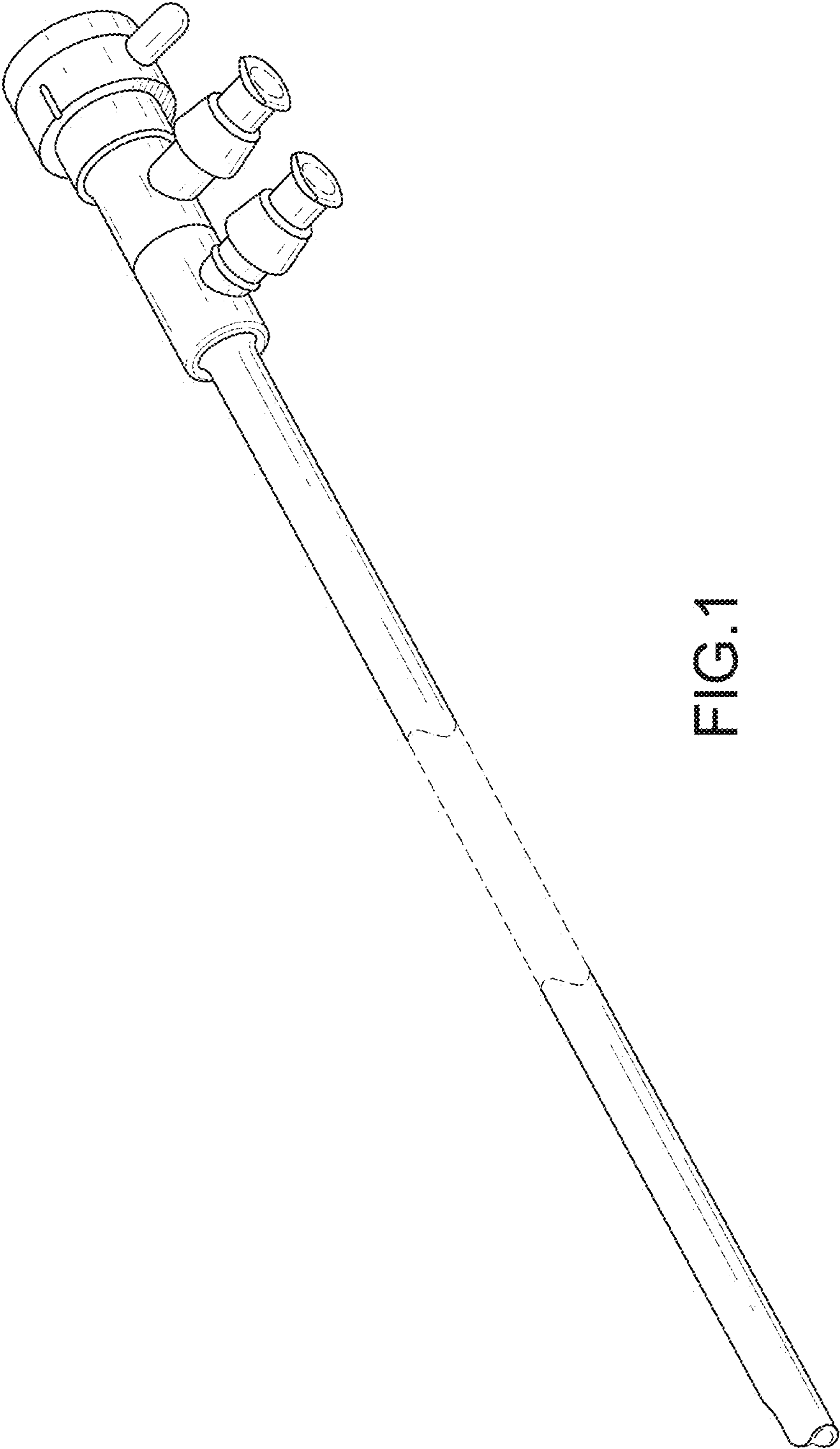


FIG.1

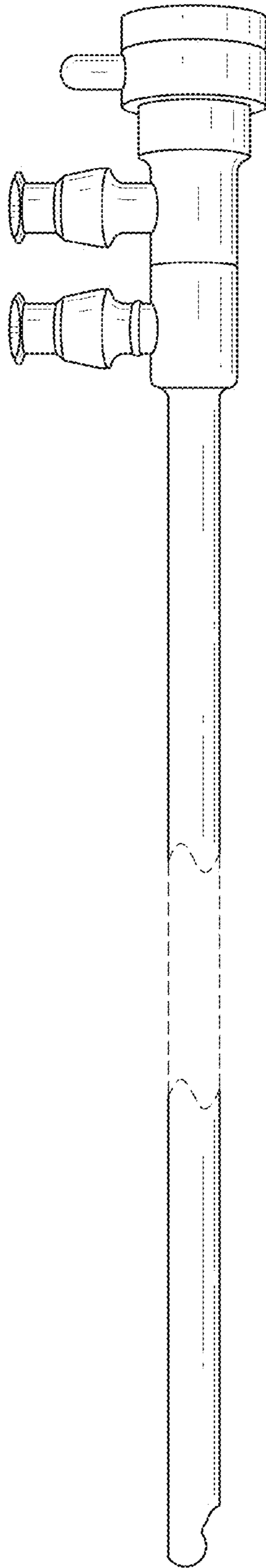


FIG.2

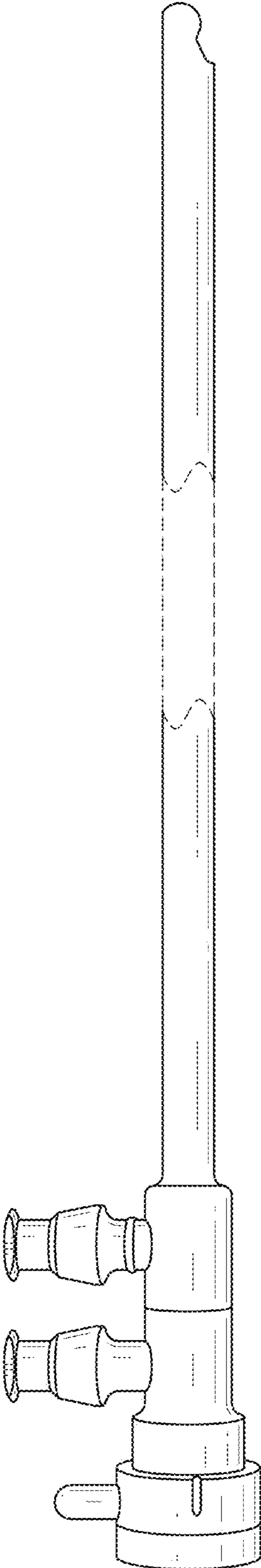


FIG.3

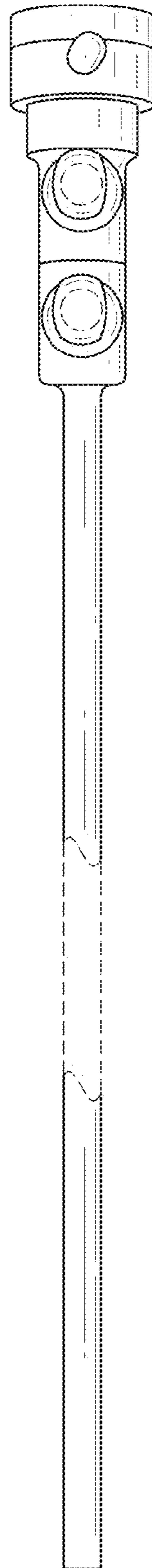


FIG.4

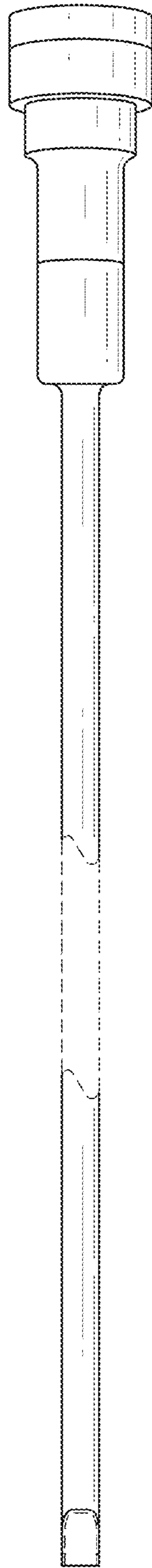


FIG. 5

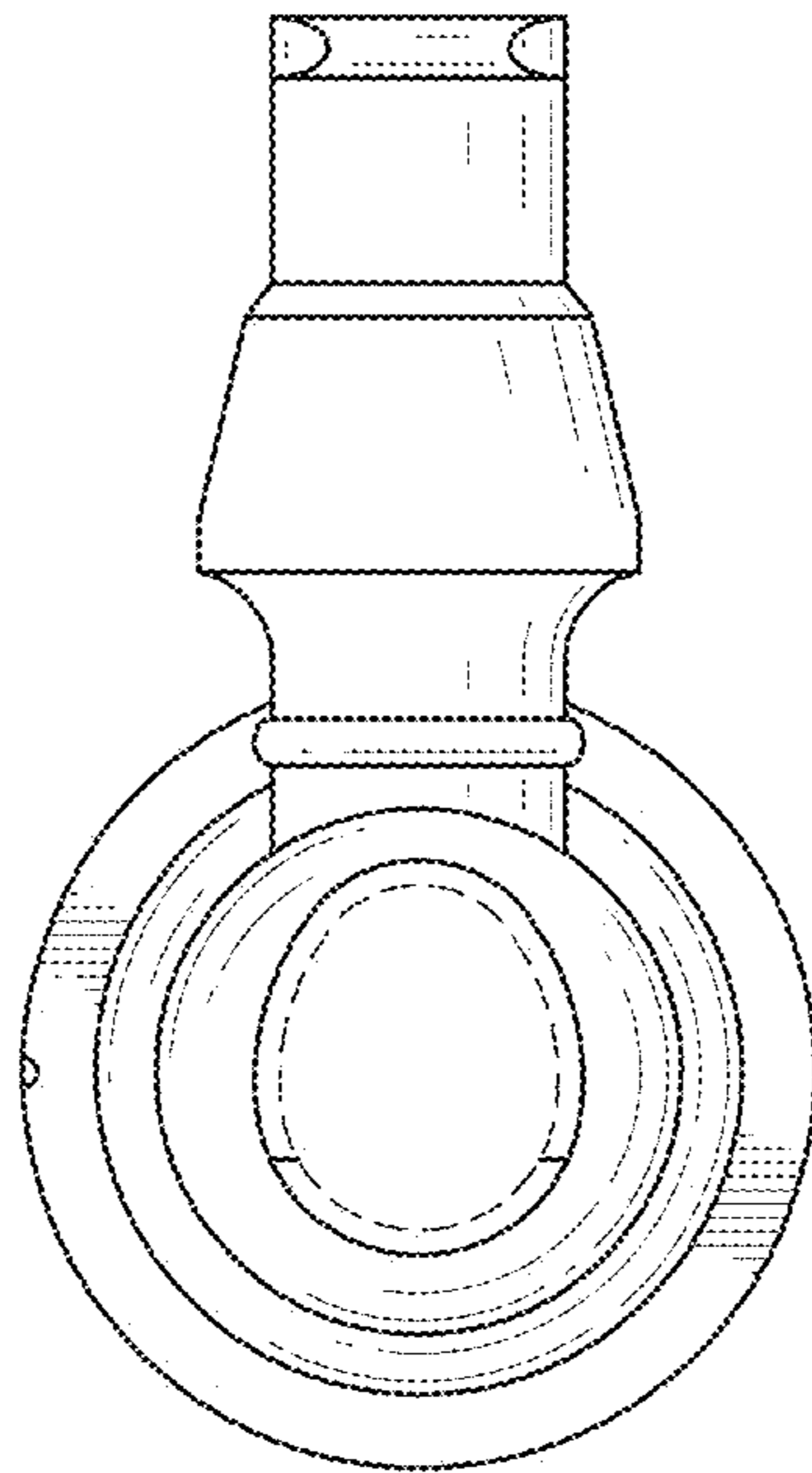


FIG.6

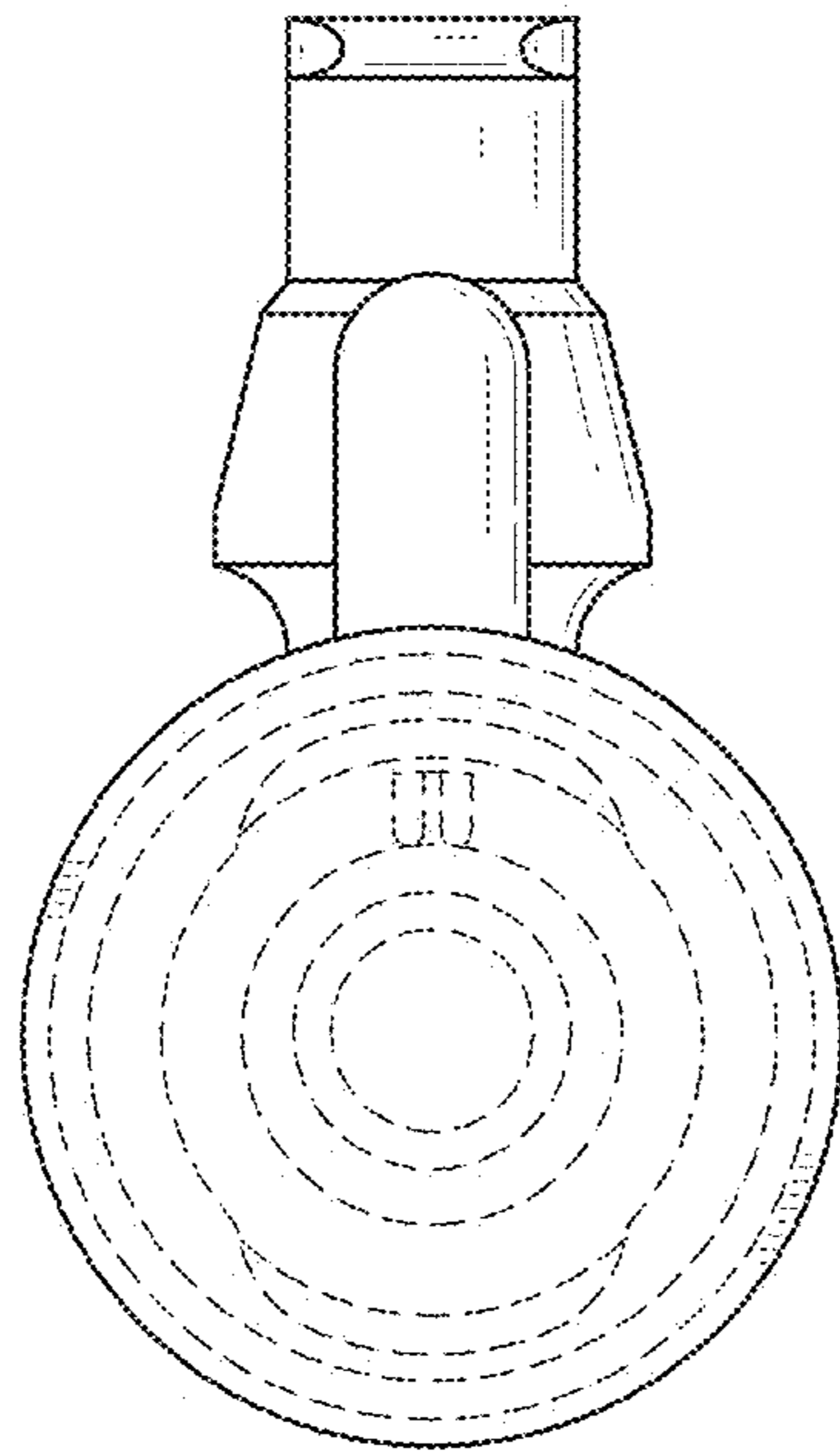


FIG.7