



US00D753282S

(12) **United States Design Patent**
Lee et al.

(10) **Patent No.:** **US D753,282 S**
(45) **Date of Patent:** **** Apr. 5, 2016**

(54) **NEBULIZER**

(71) Applicant: **DELTA ELECTRONICS, INC.**,
Taoyuan County (TW)
(72) Inventors: **Kuo-Liang Lee**, Taoyuan County (TW);
Yi-An Chen, Taoyuan County (TW);
Yuan-Han Jhang, Taoyuan County
(TW); **Teng-Ying Ho**, Taoyuan County
(TW)
(73) Assignee: **DELTA ELECTRONICS, INC.** (TW)
(**) Term: **14 Years**
(21) Appl. No.: **29/513,091**
(22) Filed: **Dec. 26, 2014**
(30) **Foreign Application Priority Data**

Nov. 21, 2014 (TW) 103306836

(51) **LOC (10) CL.** **29-02**

(52) **U.S. CL.**
USPC **D24/100**

(58) **Field of Classification Search**
USPC D24/107, 108, 110, 111, 164
CPC A61M 15/0065; A61M 15/0091;
A61M 15/0021; A61M 15/0026; A61M 15/00;
A61M 11/00; A61M 11/02; A61M 11/04
See application file for complete search history.

(56) **References Cited**

U.S. PATENT DOCUMENTS

2,785,923 A * 3/1957 Hickman A61M 11/06
239/307
3,097,645 A * 7/1963 Lester A61M 11/06
128/200.21
D243,039 S * 1/1977 Aul D24/110
D266,701 S * 10/1982 Marloth D23/360
5,875,774 A * 3/1999 Clementi A61M 11/06
128/200.14
6,283,118 B1 * 9/2001 Lu A61M 11/005
128/200.16
7,270,123 B2 * 9/2007 Grychowski A61M 11/06
128/200.14
D585,977 S * 2/2009 Brown D24/110
2002/0157663 A1 * 10/2002 Blacker A61M 11/06
128/200.21

2003/0197068 A1 * 10/2003 Abate A61M 11/06
239/338
2011/0303218 A1 * 12/2011 Yadidi A61M 11/005
128/200.14
2012/0174917 A1 * 7/2012 Chen A61M 11/06
128/200.23
2012/0227735 A1 * 9/2012 Abate A61M 11/06
128/200.14
2012/0266872 A1 * 10/2012 Tanaka A61M 11/06
128/200.21
2013/0032143 A1 * 2/2013 Tanaka A61M 11/06
128/203.12
2013/0037020 A1 * 2/2013 Tanaka A61M 11/06
128/200.18
2014/0261401 A1 * 9/2014 Esaki A61M 11/06
128/200.21
2014/0263740 A1 * 9/2014 Esaki B05B 7/064
239/302
2014/0263743 A1 * 9/2014 Esaki A61M 11/06
239/338
2015/0075521 A1 * 3/2015 Lee A61M 15/0085
128/200.16
2015/0231341 A1 * 8/2015 Korneff A61M 11/02
128/200.23

* cited by examiner

Primary Examiner — Barbara Fox
Assistant Examiner — Lilyana Bekic
(74) *Attorney, Agent, or Firm* — Hauptman Ham, LLP

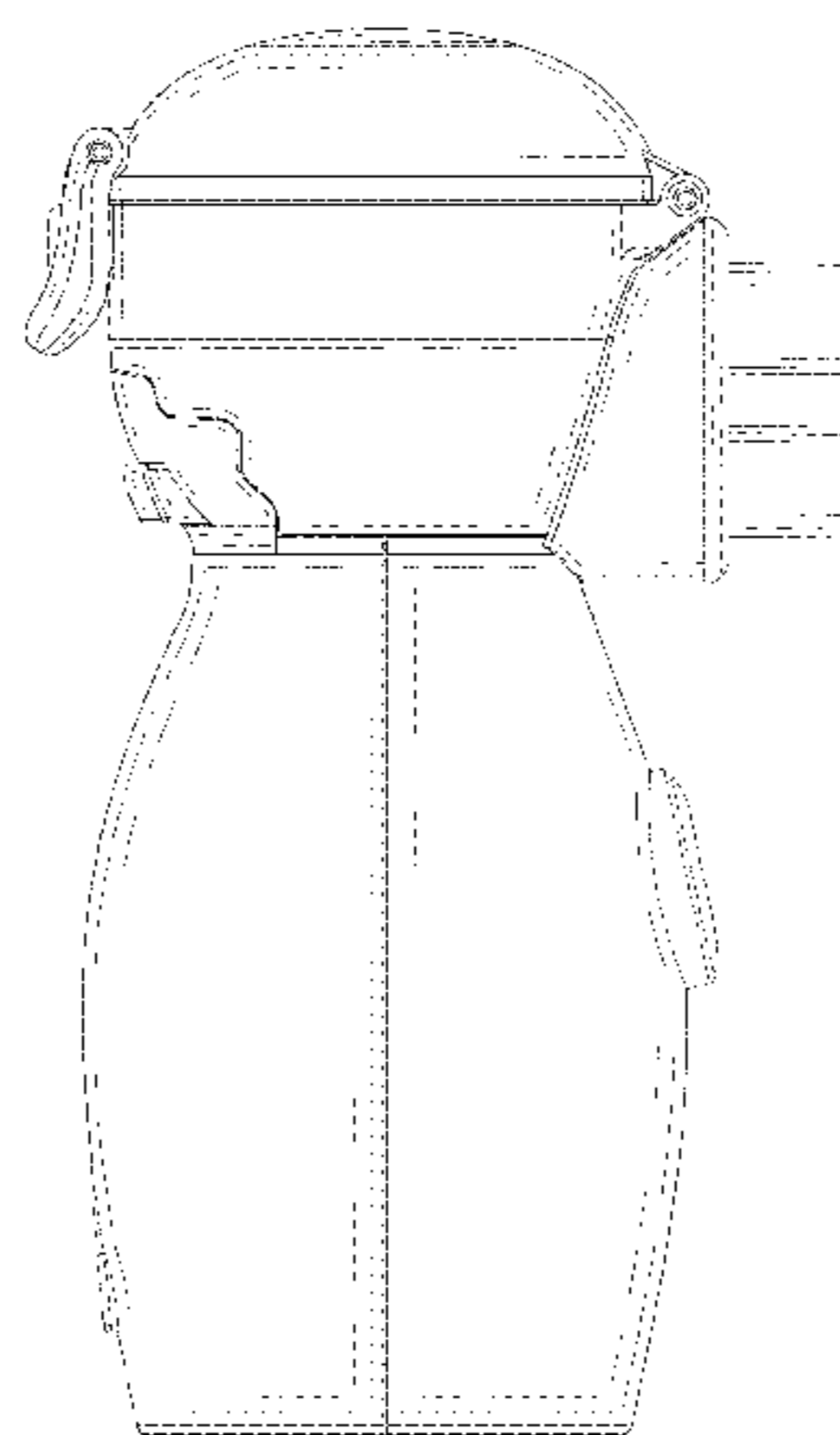
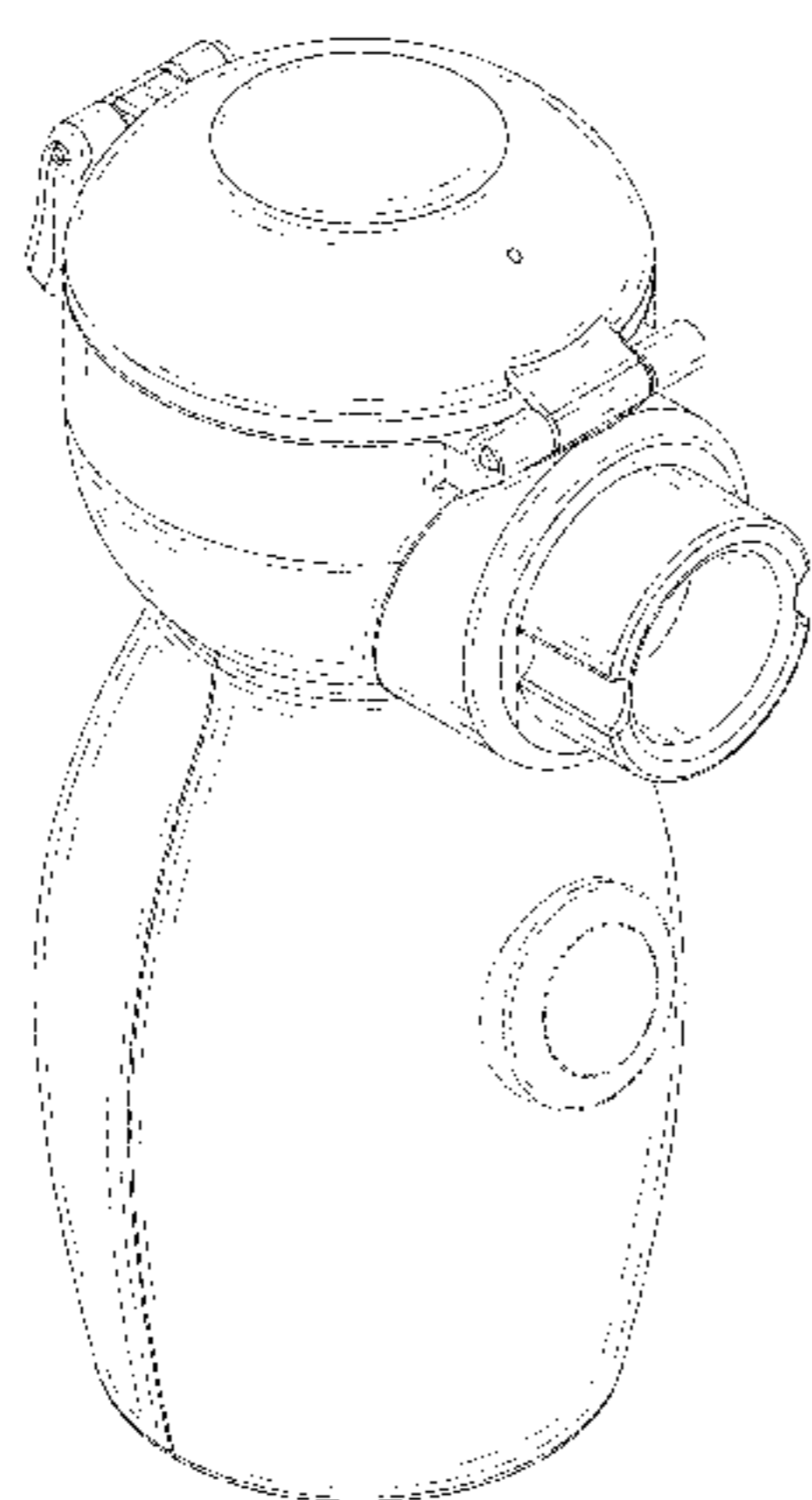
(57) **CLAIM**

The ornamental design for a nebulizer, as shown and described.

DESCRIPTION

FIG. 1 is a perspective view of a nebulizer showing our new design;
FIG. 2 is a front view thereof;
FIG. 3 is a rear view thereof;
FIG. 4 is a left side view thereof;
FIG. 5 is a right side view thereof;
FIG. 6 is a top view thereof;
FIG. 7 is a bottom view thereof; and,
FIG. 8 is the other perspective view showing the nebulizer.
The dash-dot-dash broken lines represent the boundaries of the claimed design and form no part thereof. The dash-dash broken lines illustrate portions of the nebulizer which form no part of the claimed design.

1 Claim, 7 Drawing Sheets



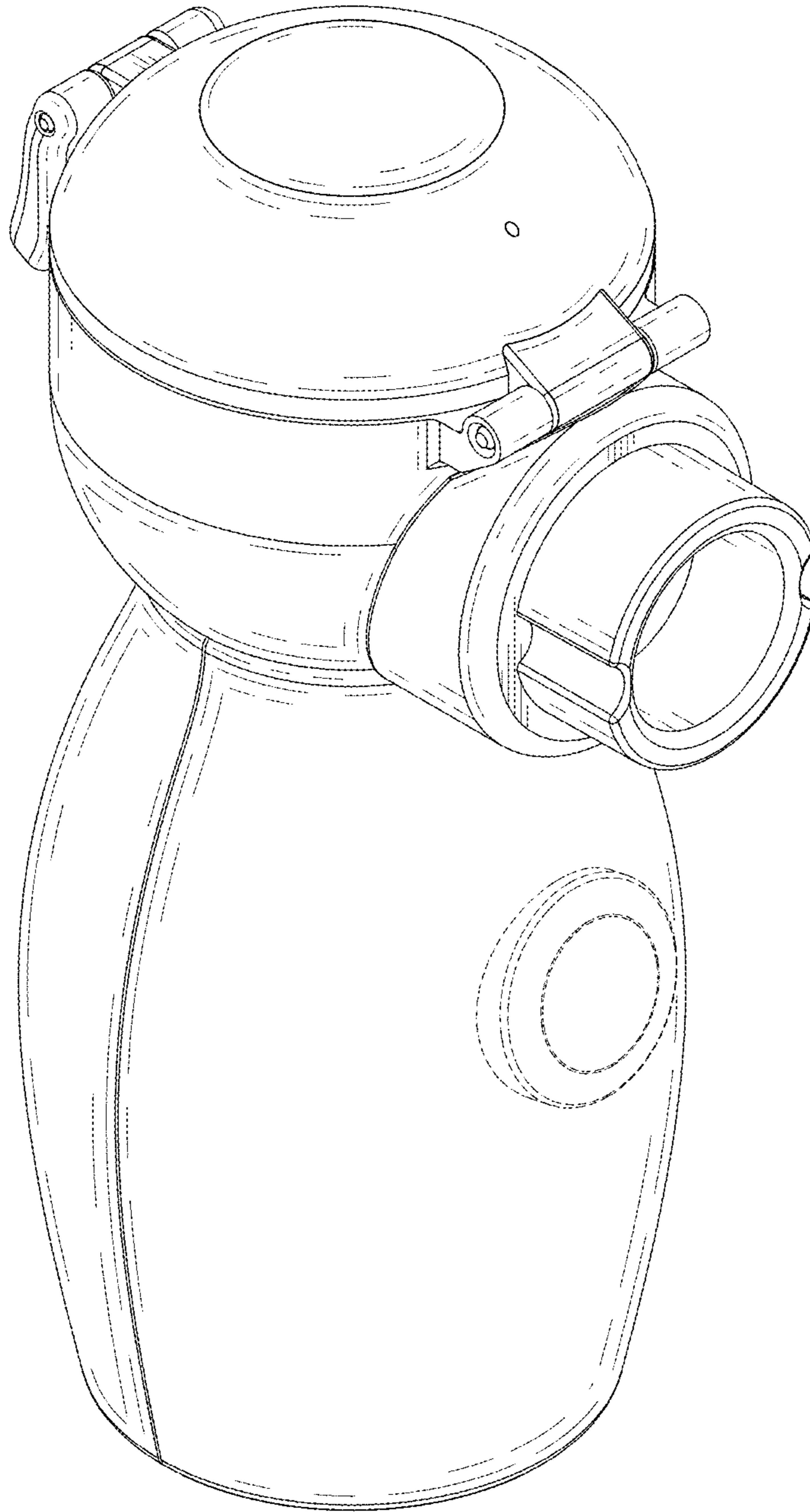


FIG.1

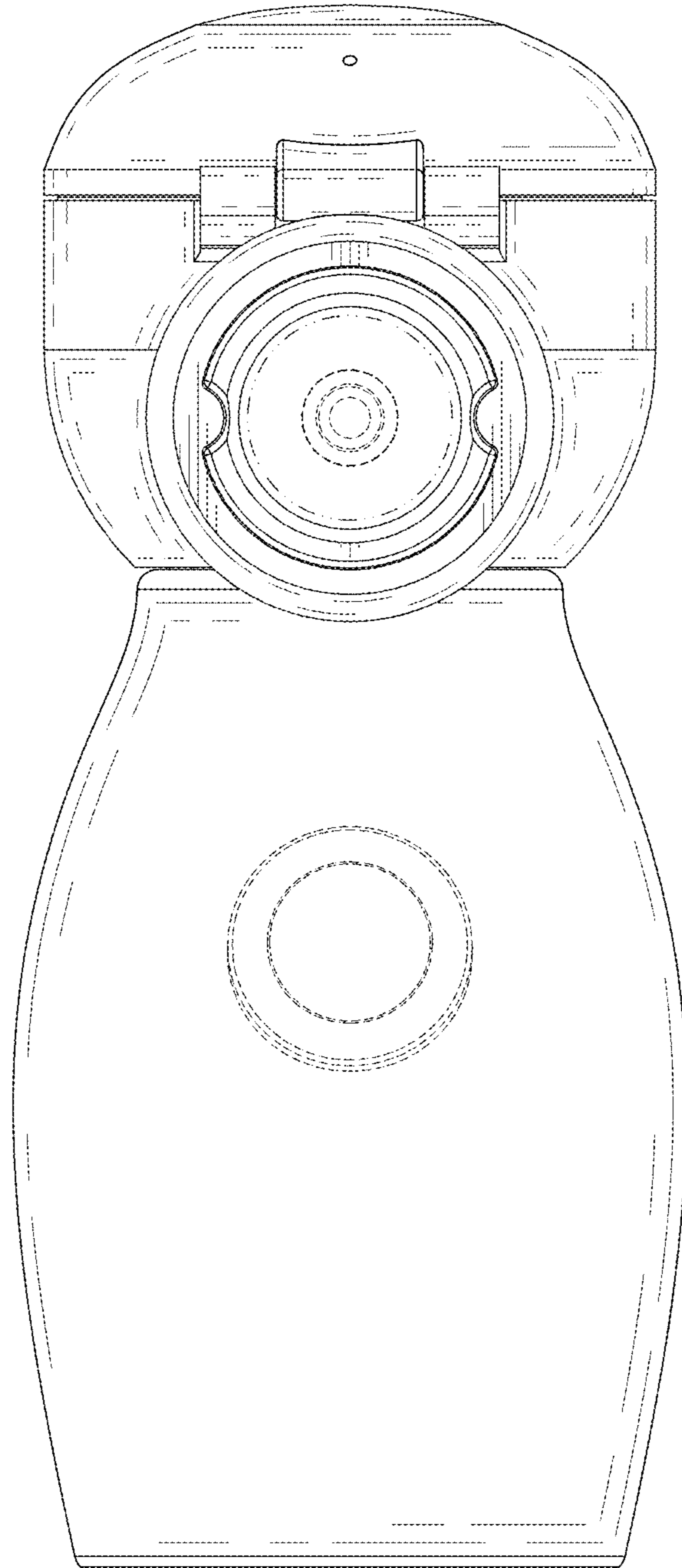


FIG.2

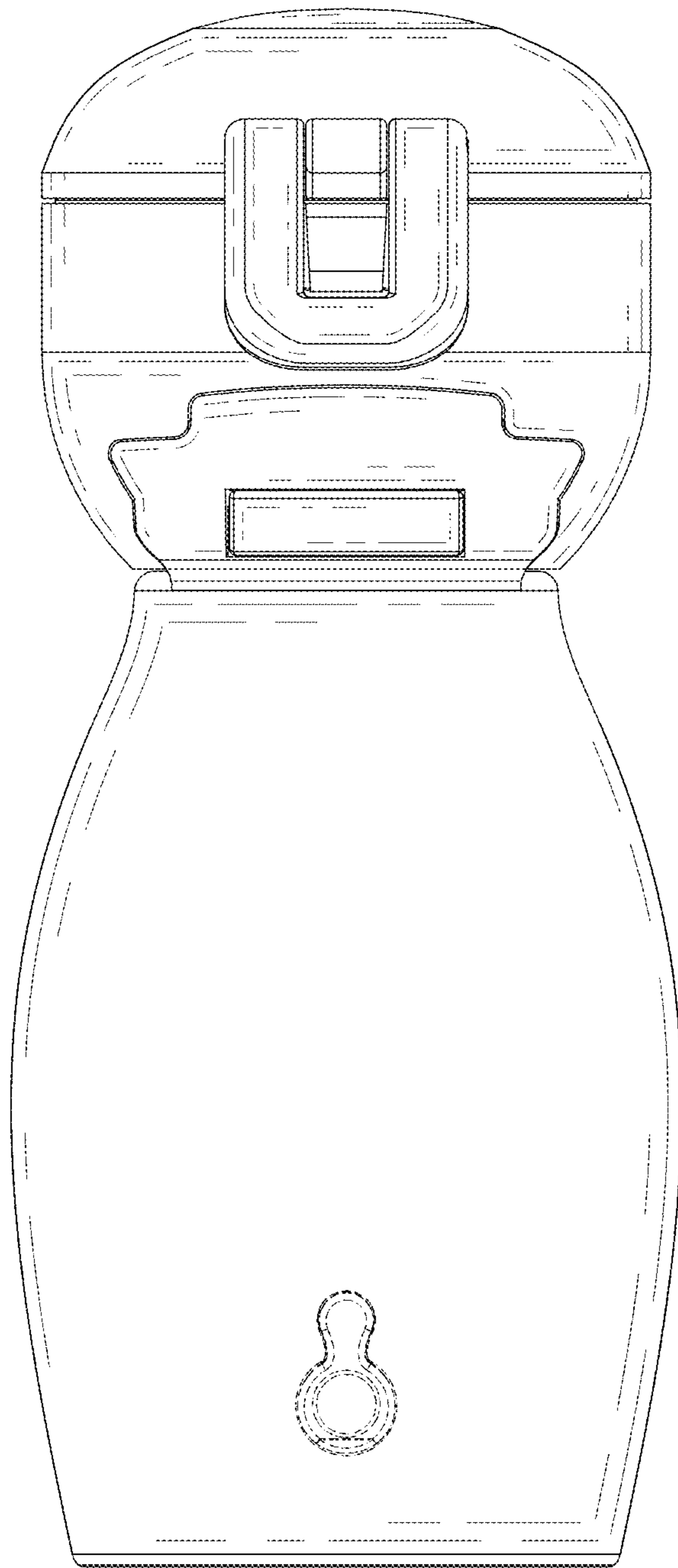


FIG.3

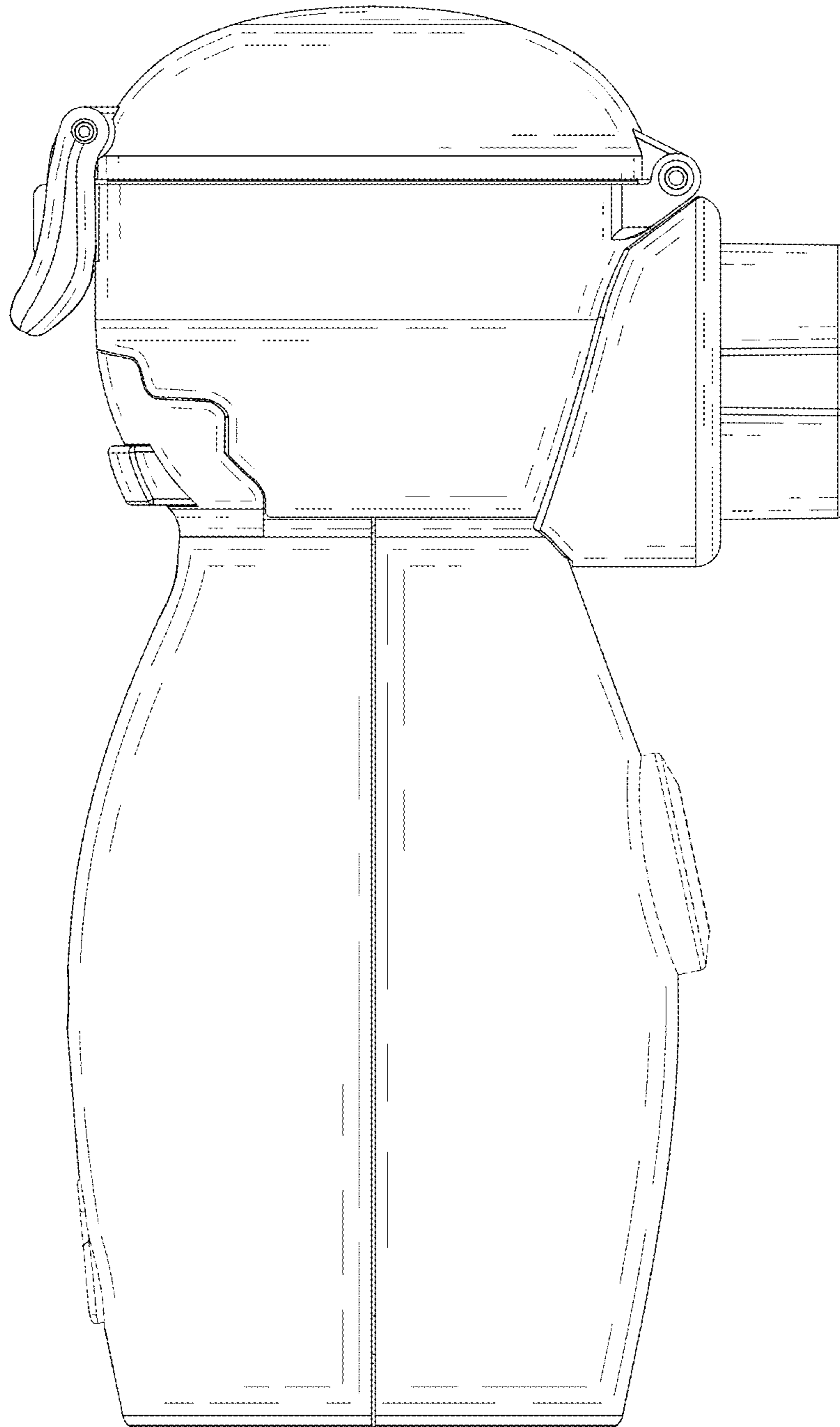


FIG.4

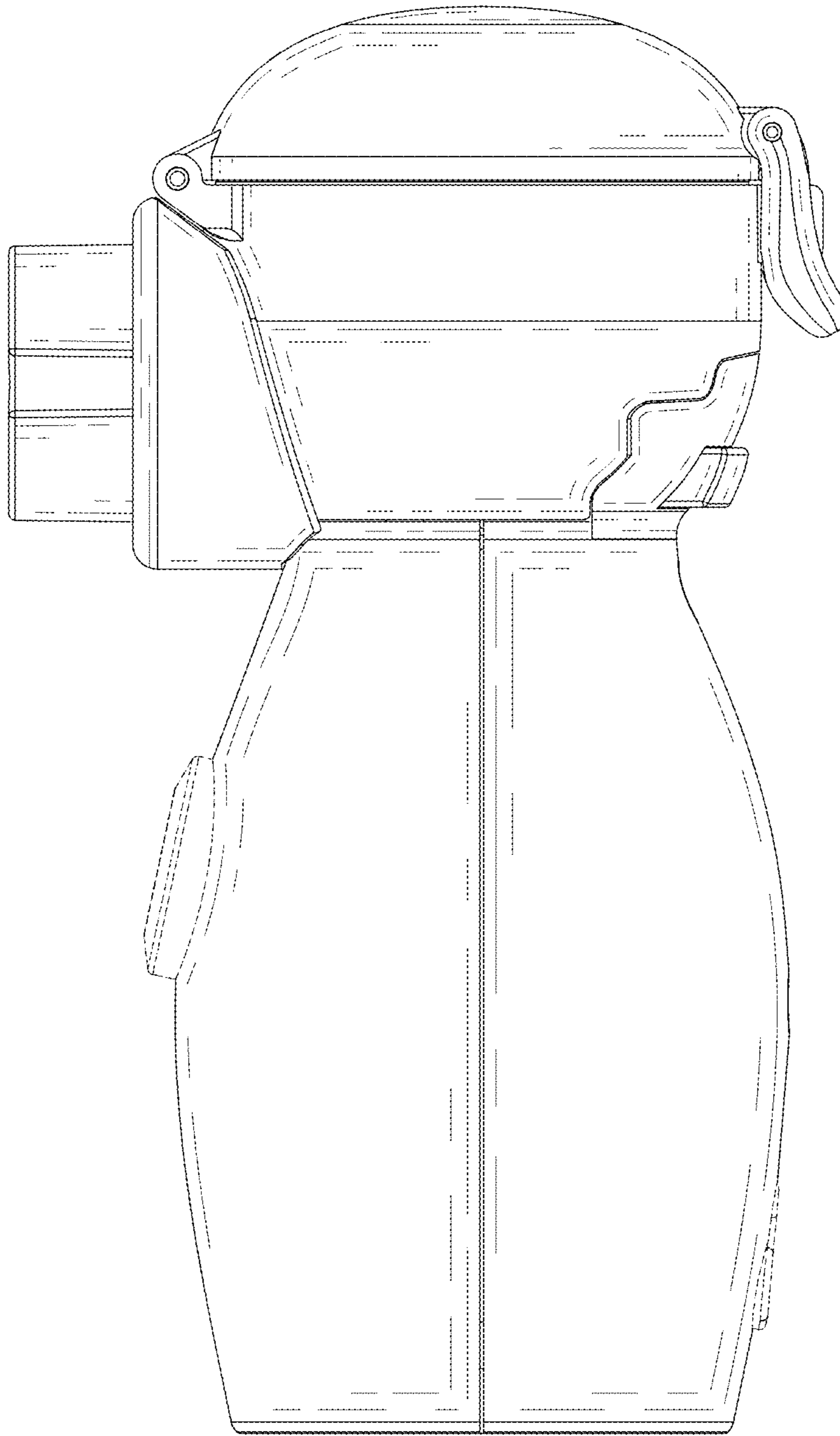


FIG.5

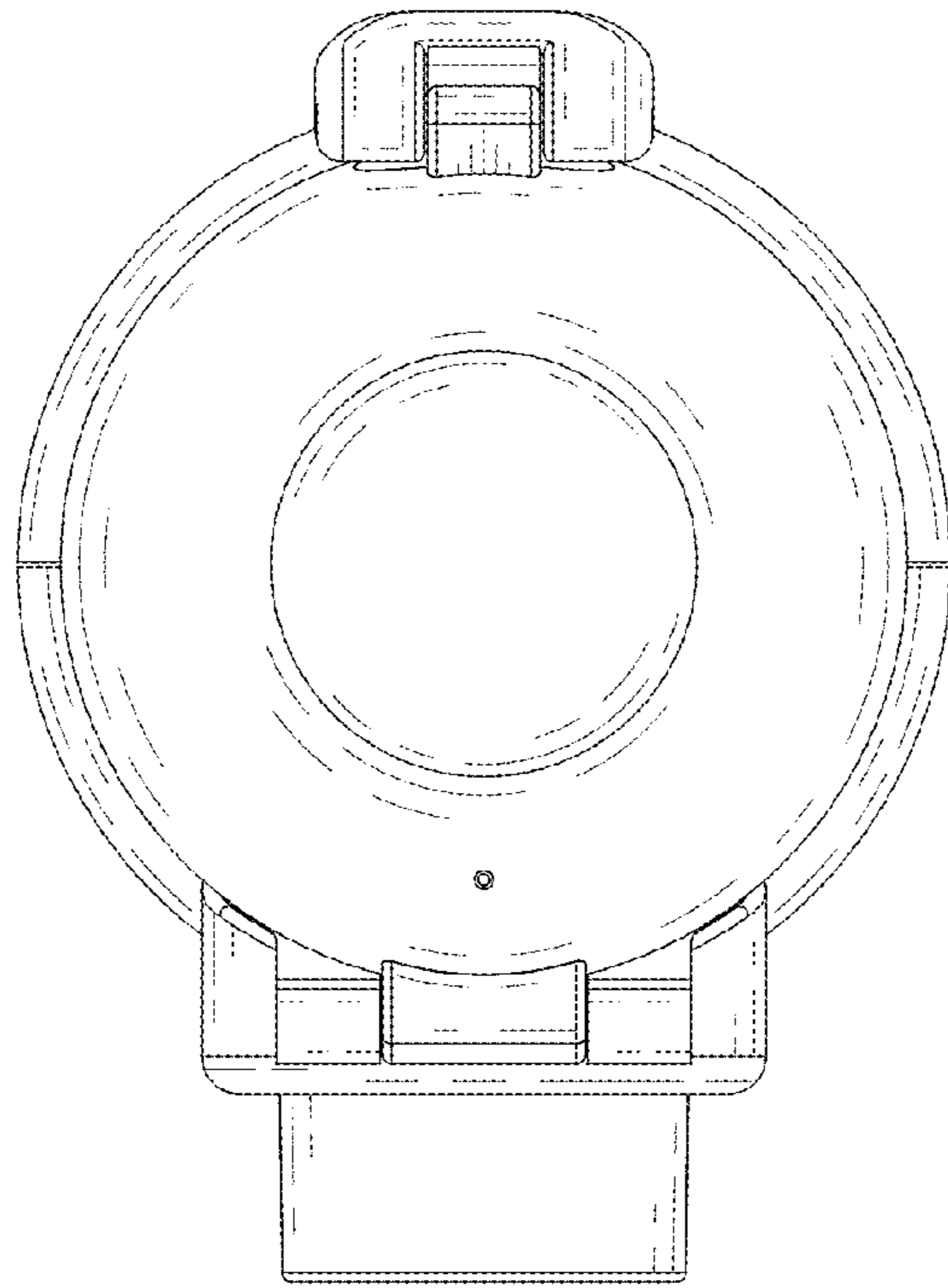


FIG. 6

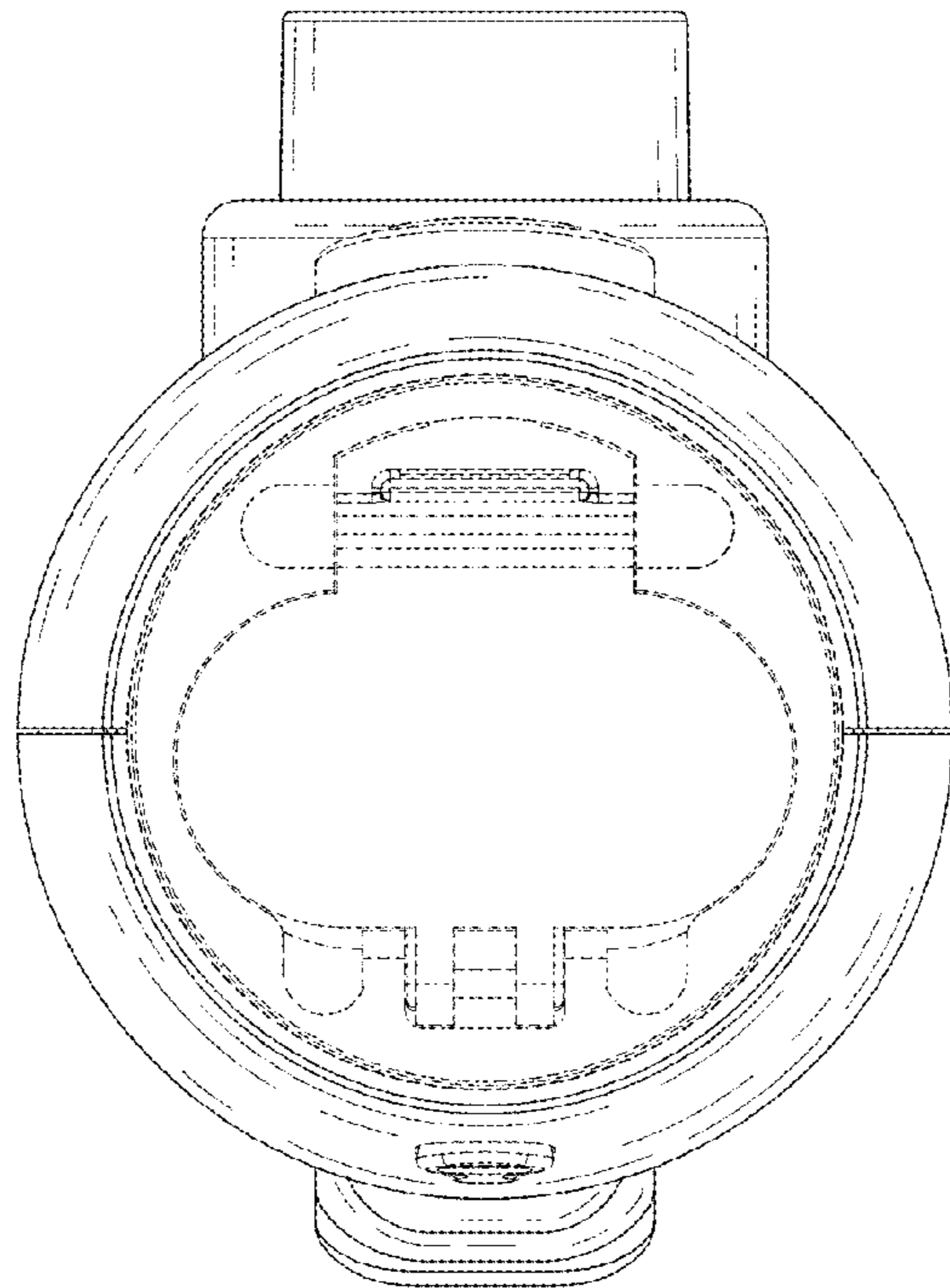


FIG. 7

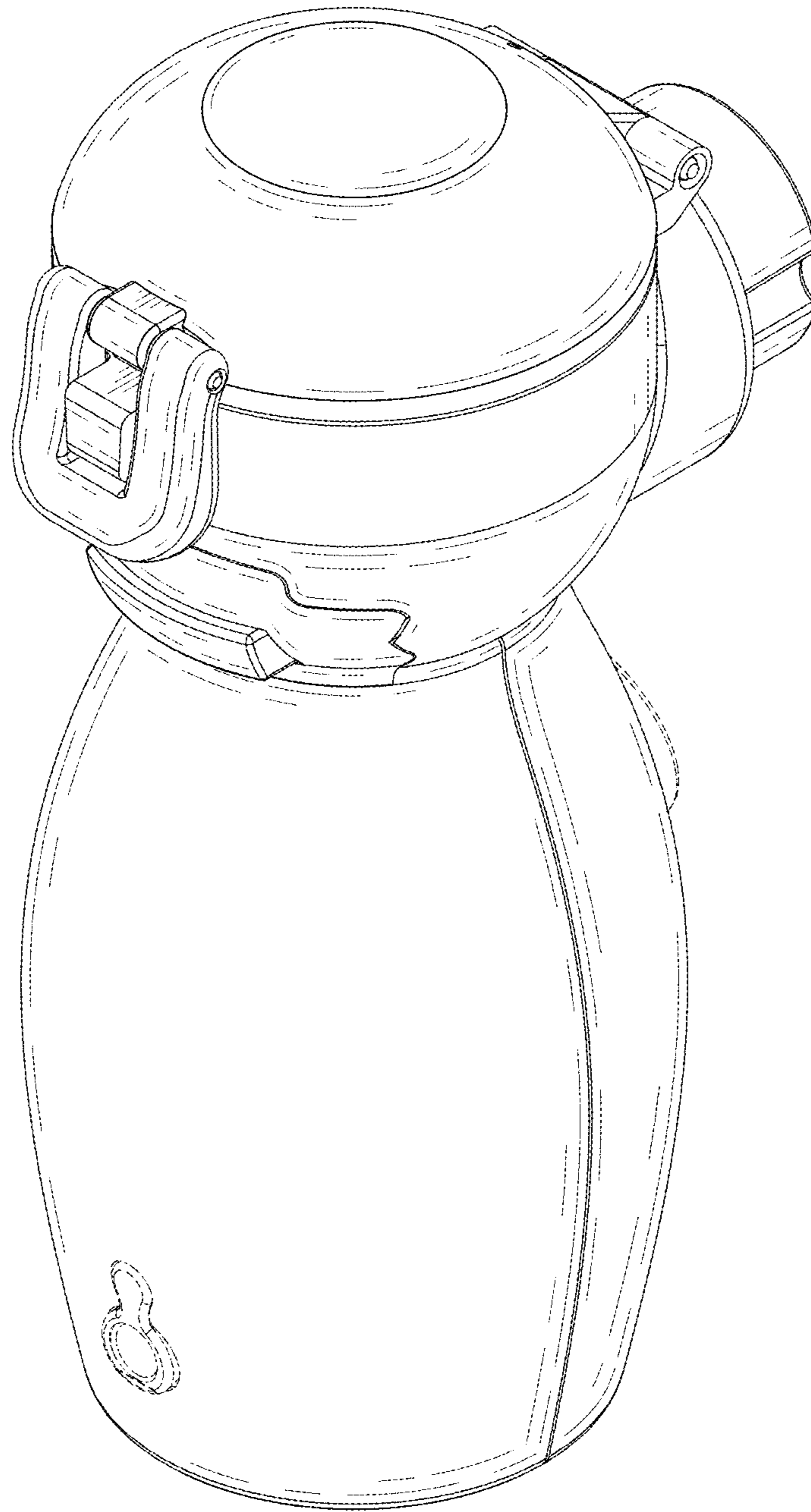


FIG. 8