



US00D753280S

(12) **United States Design Patent**
Badovick et al.

(10) **Patent No.:** **US D753,280 S**

(45) **Date of Patent:** **** Apr. 5, 2016**

(54) **FAN**

(71) Applicant: **auraMist, Inc.**, Nashville, TN (US)

(72) Inventors: **Jeffrey Badovick**, Ormond Beach, FL (US); **Robert Hubert**, Cocoa, FL (US); **Andy Chick**, Nashville, TN (US)

(73) Assignee: **Auramist, Inc.**, Nashville, TN (US)

(**) Term: **14 Years**

(21) Appl. No.: **29/512,607**

(22) Filed: **Dec. 19, 2014**

(51) **LOC (10) Cl.** **23-04**

(52) **U.S. Cl.**

USPC **D23/370**

(58) **Field of Classification Search**

USPC D23/370–373, 376, 377, 379, 381–385, D23/388, 411–414, 324, 330, 332, 335, D23/353–355, 225, 333, 356, 499; D21/455, 458; 392/365, 367; 415/1, 415/127, 179, 182.1, 223; 416/62, 93 R, 416/100, 180, 182, 189, 190, 204 R, 219 R, 416/220 R, 244 R, 246, 247 R, 223 R; D13/175, 179; 310/67 R; 417/369, 417/423.7; 239/289; D32/23

CPC ... F04D 29/325; F04D 29/326; F04D 29/329; F04D 29/384; F04D 29/386; F04D 29/28; F04D 29/281; F04D 29/282; F04D 29/284; F04D 29/663; F04D 29/646; F04D 29/701; F04D 29/703; F04D 29/526; F04D 29/547; F04D 25/08; F04D 25/082; F04D 25/084; F04D 25/068; Y02B 30/545; F24F 2006/146; B05B 15/00; A47C 1/143; A47C 1/14

See application file for complete search history.

(56) **References Cited**

U.S. PATENT DOCUMENTS

2,750,167 A * 6/1956 Gregg F24F 5/0035
261/102
D283,065 S * 3/1986 Maier D32/23
D283,066 S * 3/1986 Maier D32/23
5,441,202 A * 8/1995 Wintering B05B 15/0406
137/107
D386,561 S * 11/1997 Campbell D23/330

(Continued)

OTHER PUBLICATIONS

CULER Home Space Coolers. youtube.com (online) 1 page. Published Apr. 24, 2015 [retrieved on Nov. 11, 2015]. Retrieved from Internet: <https://www.youtube.com/watch?v=Qw79CYTtkUI>.*

Primary Examiner — Susan Bennett Hattan

Assistant Examiner — Marie Fast Horse

(74) *Attorney, Agent, or Firm* — Waller Lansden Dortch & Davis, LLP; Matthew C. Cox

(57) **CLAIM**

What is claimed is the ornamental design for a fan, as shown and described.

DESCRIPTION

FIG. 1 is a front perspective view showing the fan of Applicant's invention.

FIG. 2 is a front elevation view of the fan of Applicant's invention.

FIG. 3 is a back elevation view of the fan of Applicant's invention.

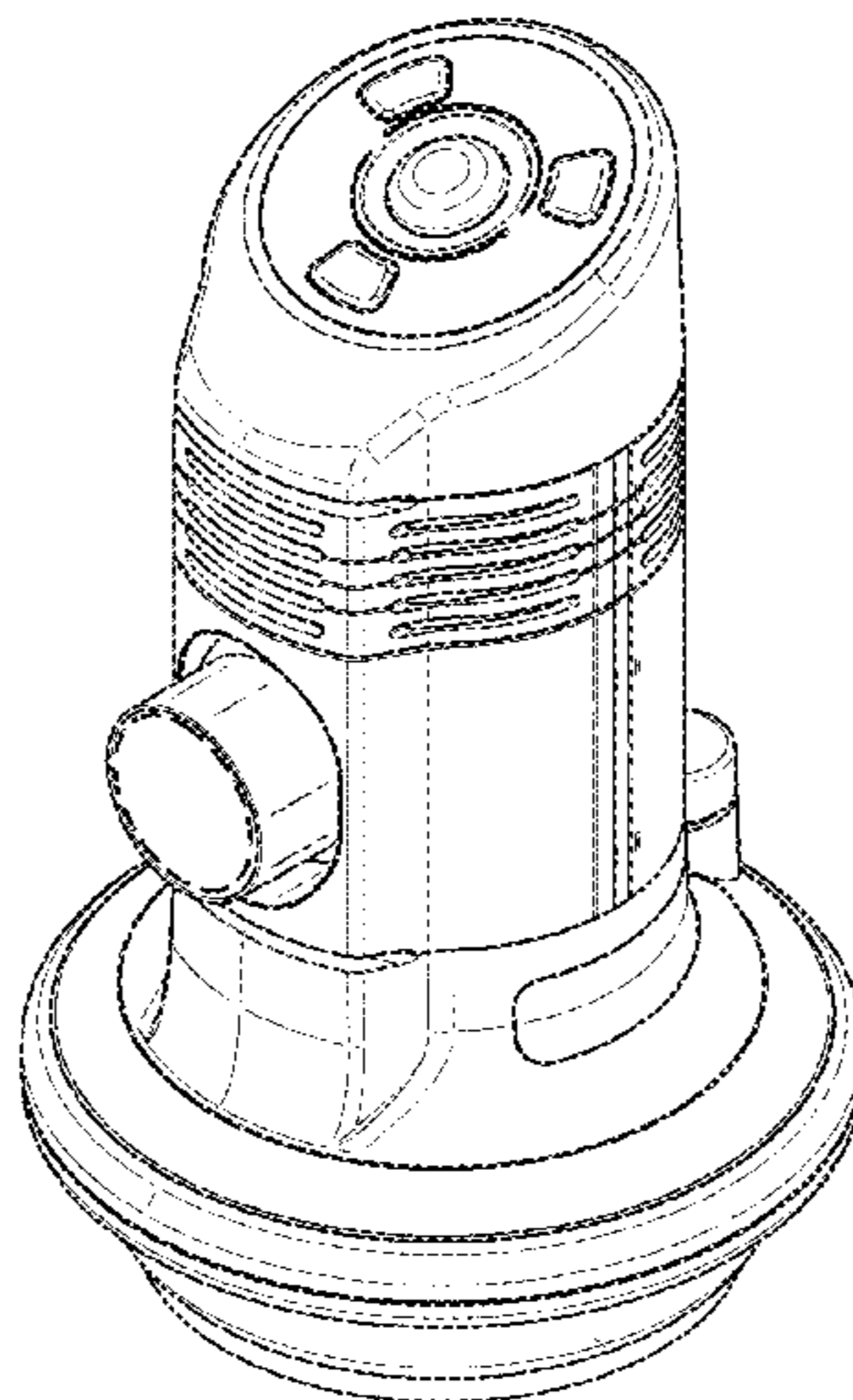
FIG. 4 is a right side elevation view of the fan of Applicant's invention.

FIG. 5 is a left side elevation view of the fan of Applicant's invention.

FIG. 6 is a top view of the fan of Applicant's invention; and, FIG. 7 is a bottom view of the fan of Applicant's invention.

In the Figures, the dashed lines in the drawings represent portions of the fan and do not form part of the claimed invention.

1 Claim, 6 Drawing Sheets



(56)

References Cited

U.S. PATENT DOCUMENTS

D402,744 S *	12/1998	Zuege	D23/356	D636,476 S *	4/2011	Abbondanzio	D23/366
5,848,585 A *	12/1998	Long	F24H 3/0488	D637,274 S *	5/2011	Chan	D23/364
			126/110 B	D654,567 S *	2/2012	Yamamoto	D23/225
6,182,463 B1 *	2/2001	Strussion	B60H 1/3202	D672,866 S *	12/2012	Levano	D23/341
			62/304	2009/0000325 A1 *	1/2009	Johnson	F24F 5/0035
D456,500 S *	4/2002	Kalina	D23/336				62/259.4
D535,378 S *	1/2007	Caserta	D23/366	2009/0143004 A1 *	6/2009	Tam	F24F 5/0035
D537,586 S *	2/2007	Renner	D32/23				454/284
D541,404 S *	4/2007	Russak	D23/380	2010/0225012 A1 *	9/2010	Fitton	F24F 1/01
D590,487 S *	4/2009	Chen	D23/333				261/116
D634,416 S *	3/2011	Abbondanzio	D23/366	2011/0101128 A1 *	5/2011	Huang	F24F 6/12
D634,832 S *	3/2011	Abbondanzio	D23/366				239/289
				2013/0175362 A1 *	7/2013	Lee	F24F 6/14
							239/302

* cited by examiner

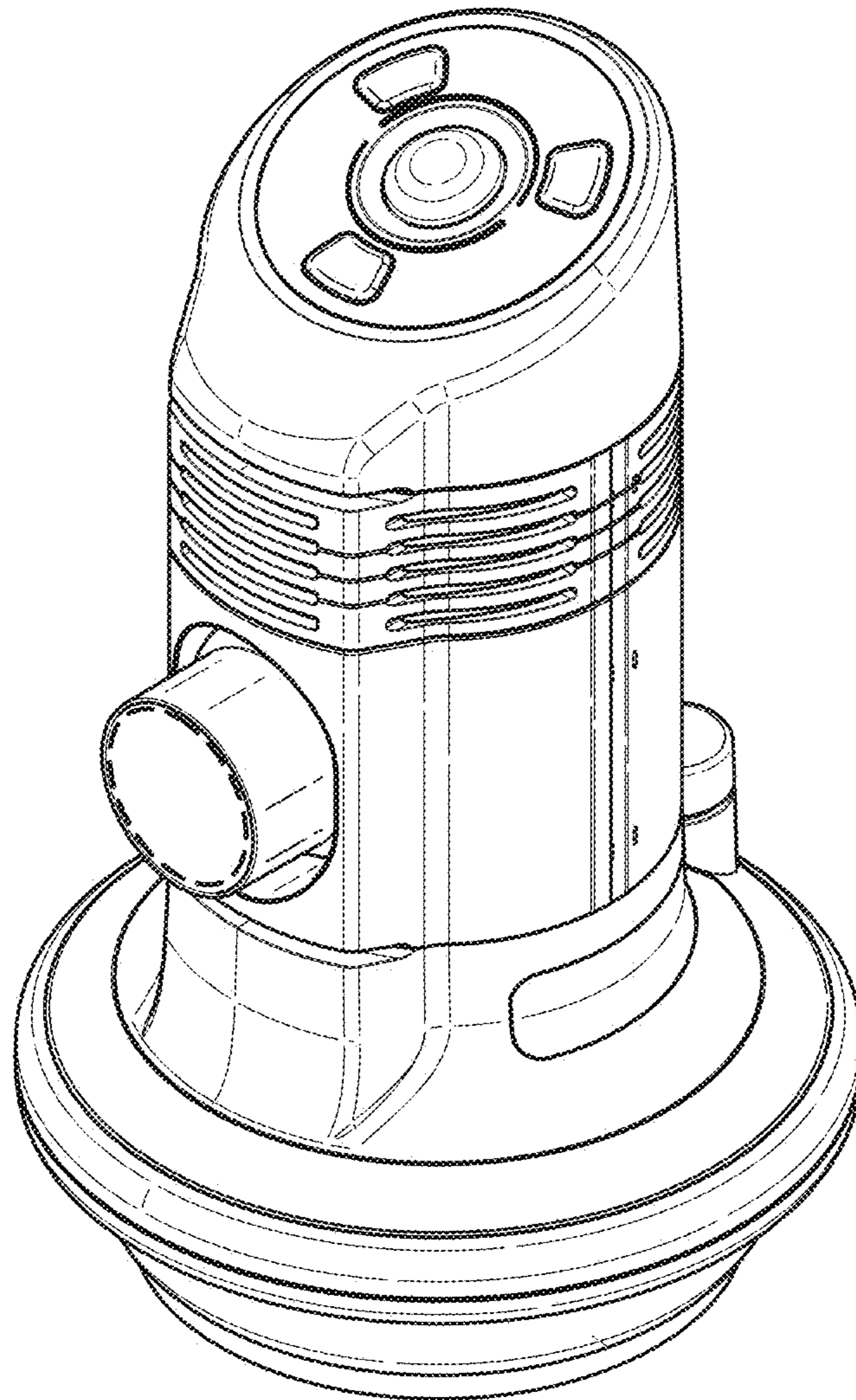


FIG. 1

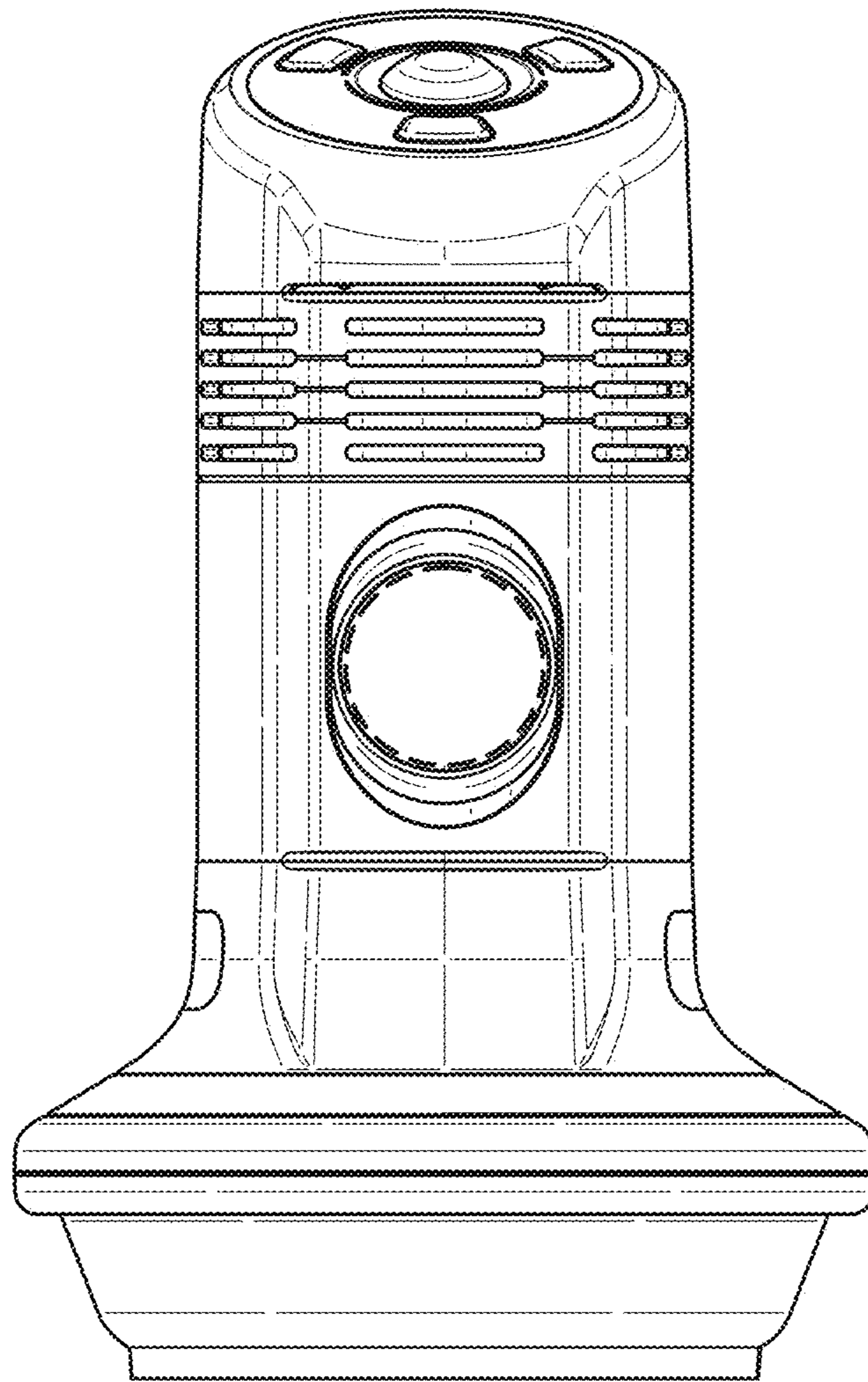


FIG. 2

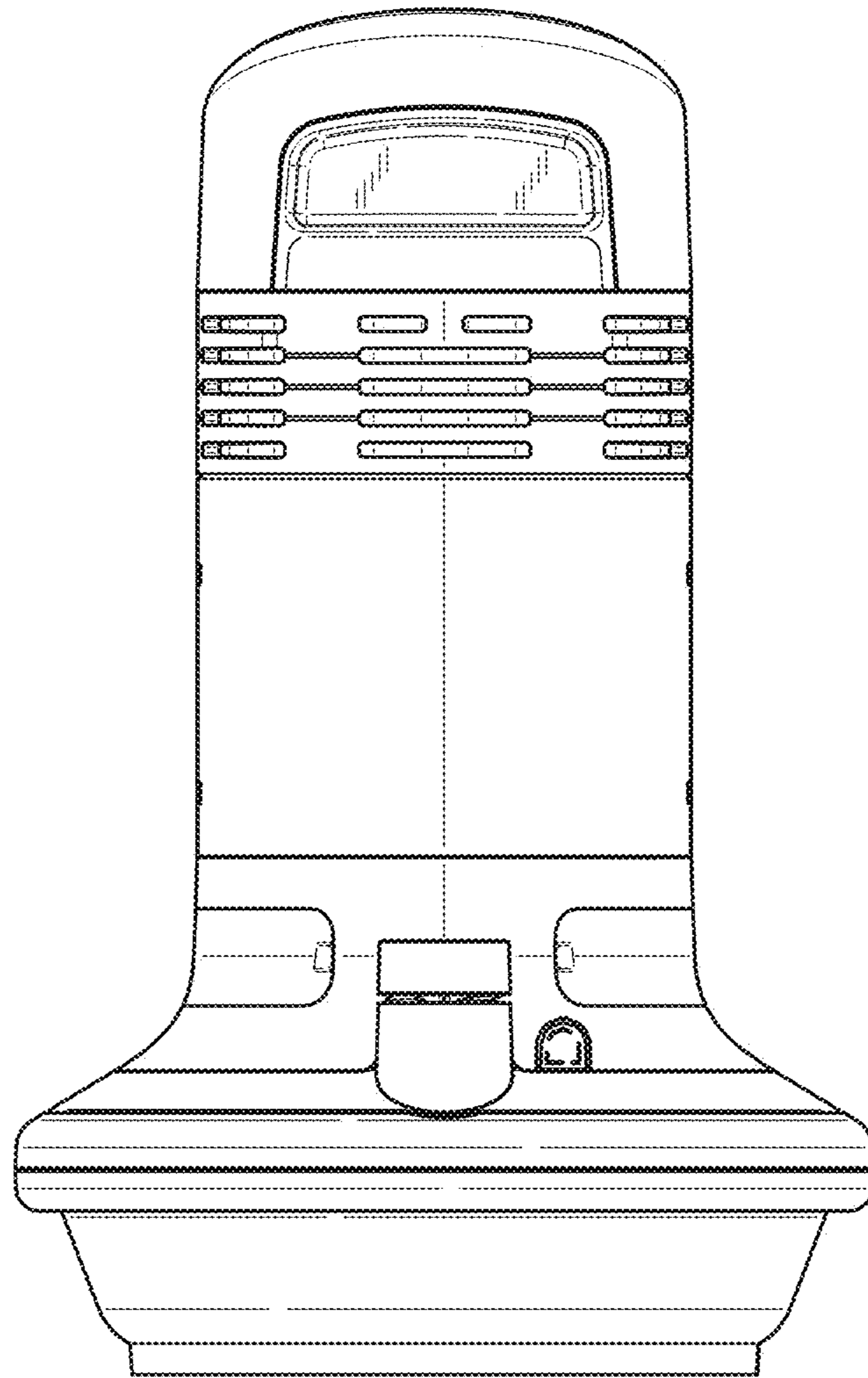


FIG. 3

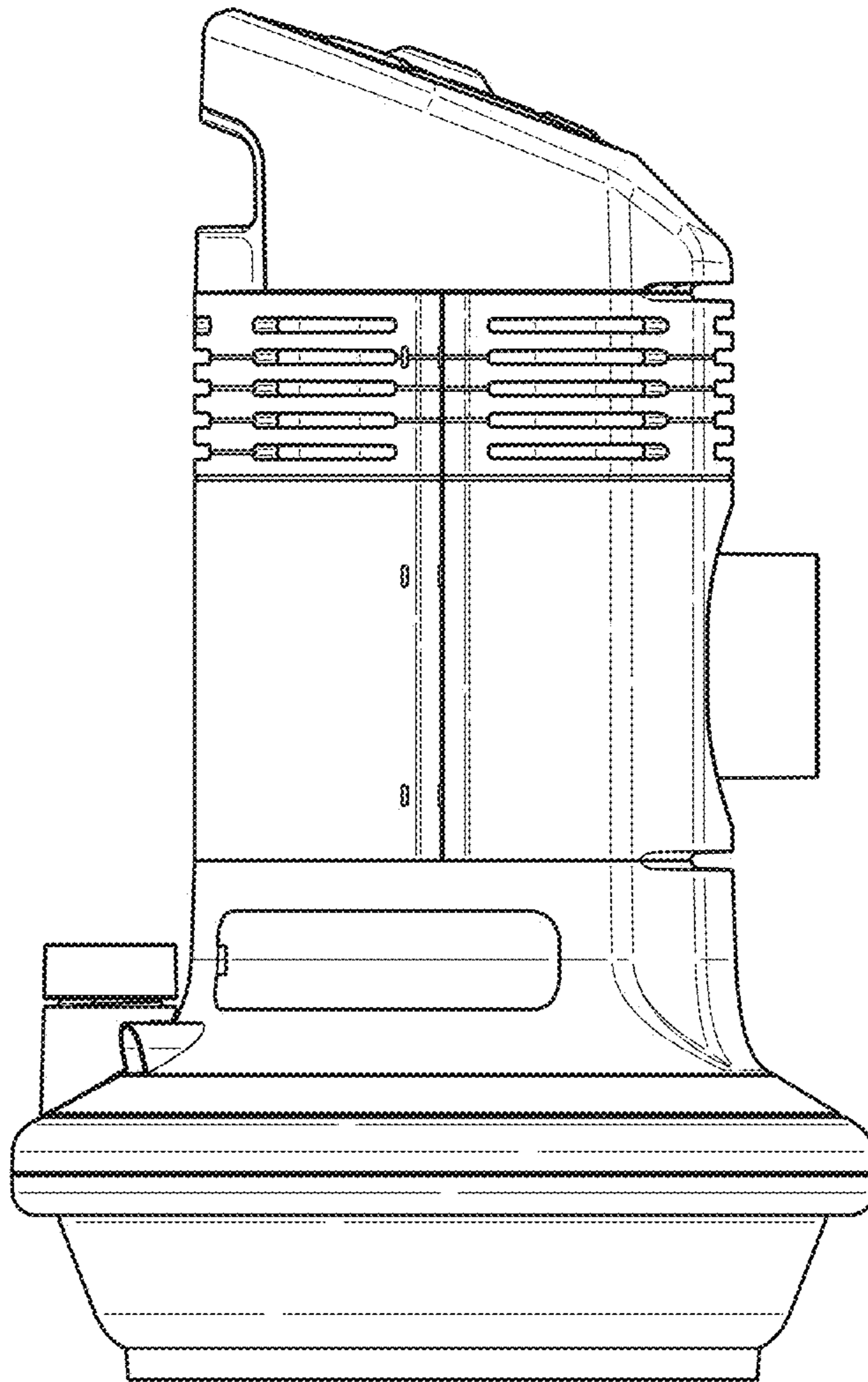


FIG. 4

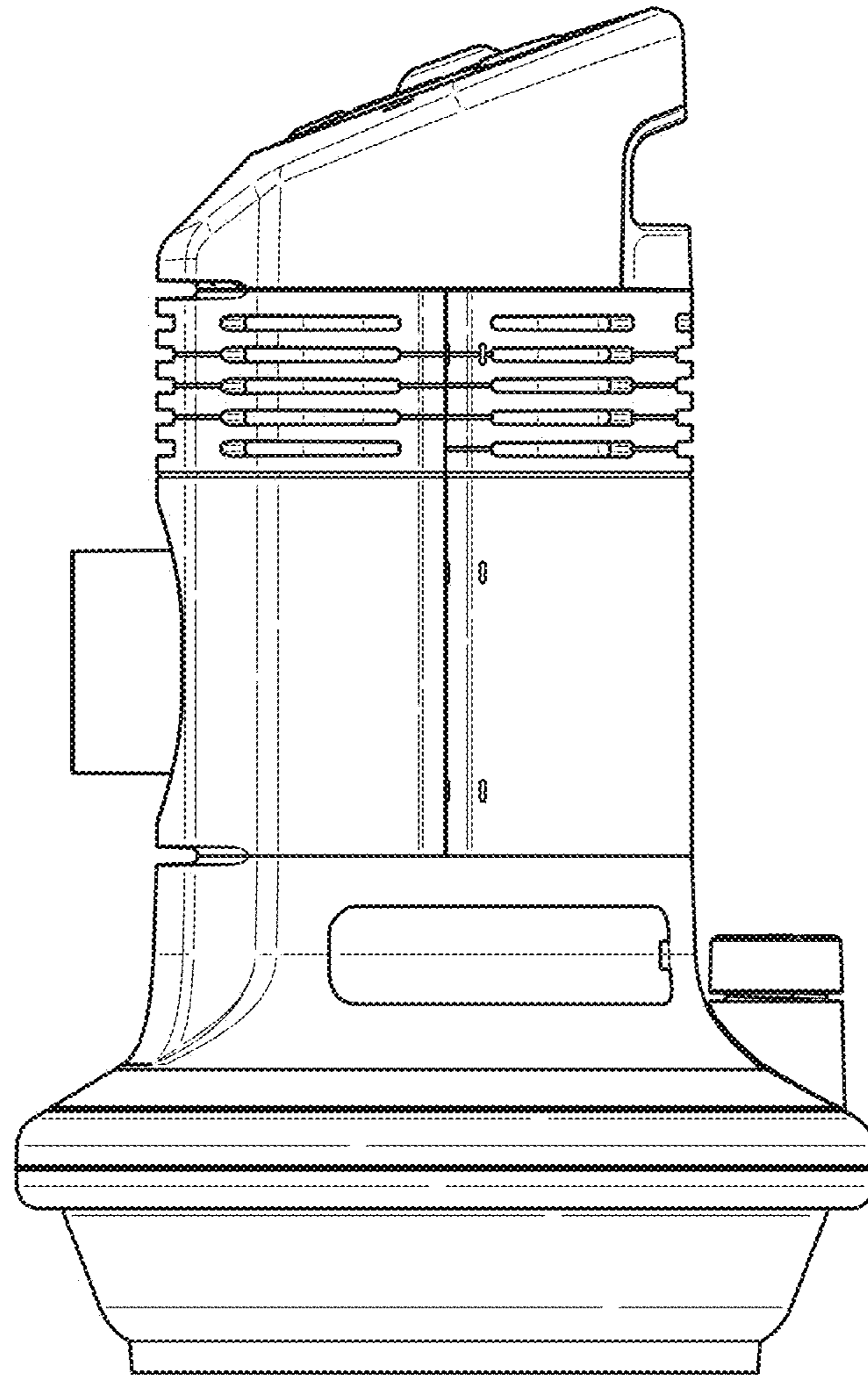


FIG. 5

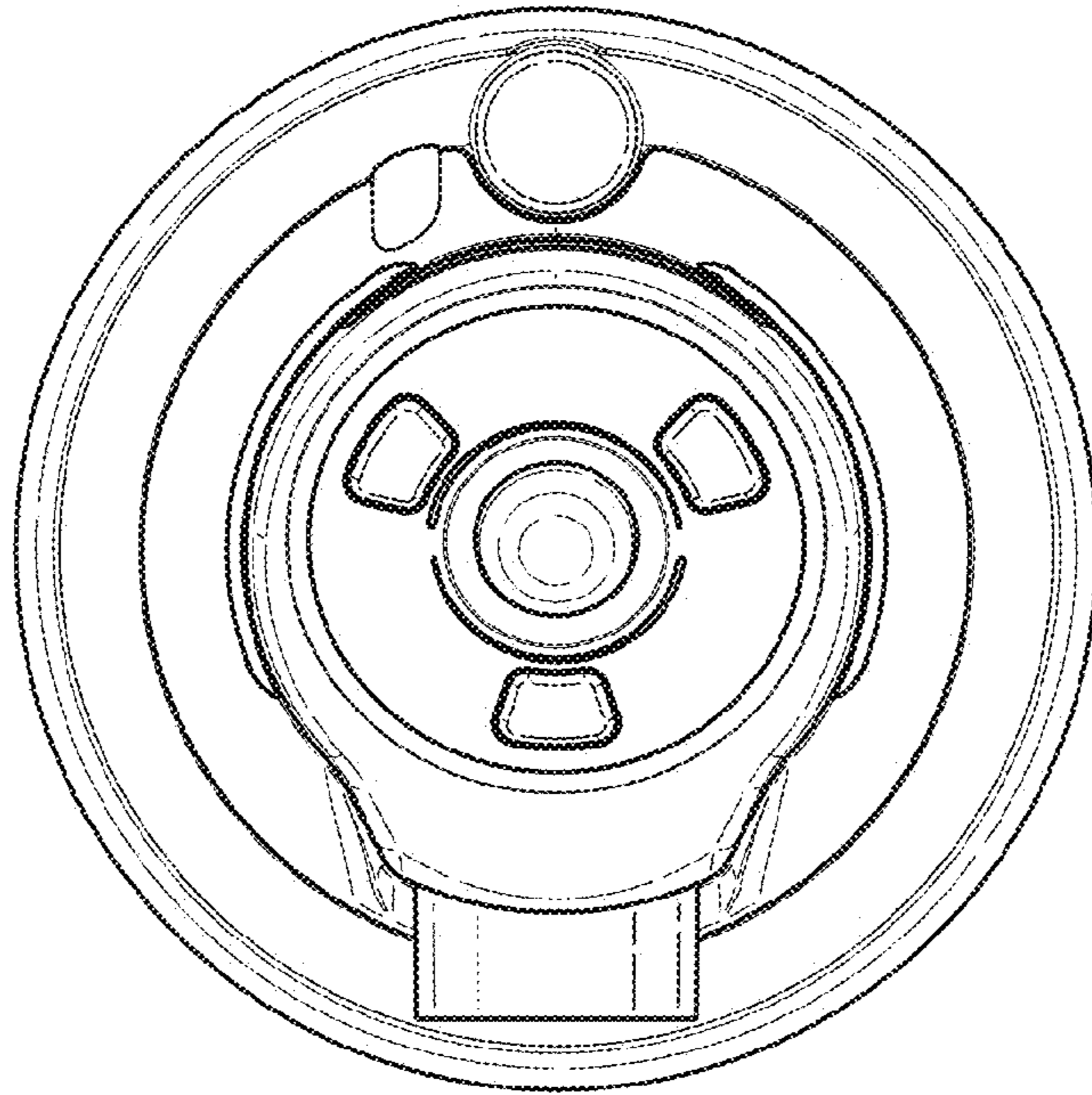


FIG. 6

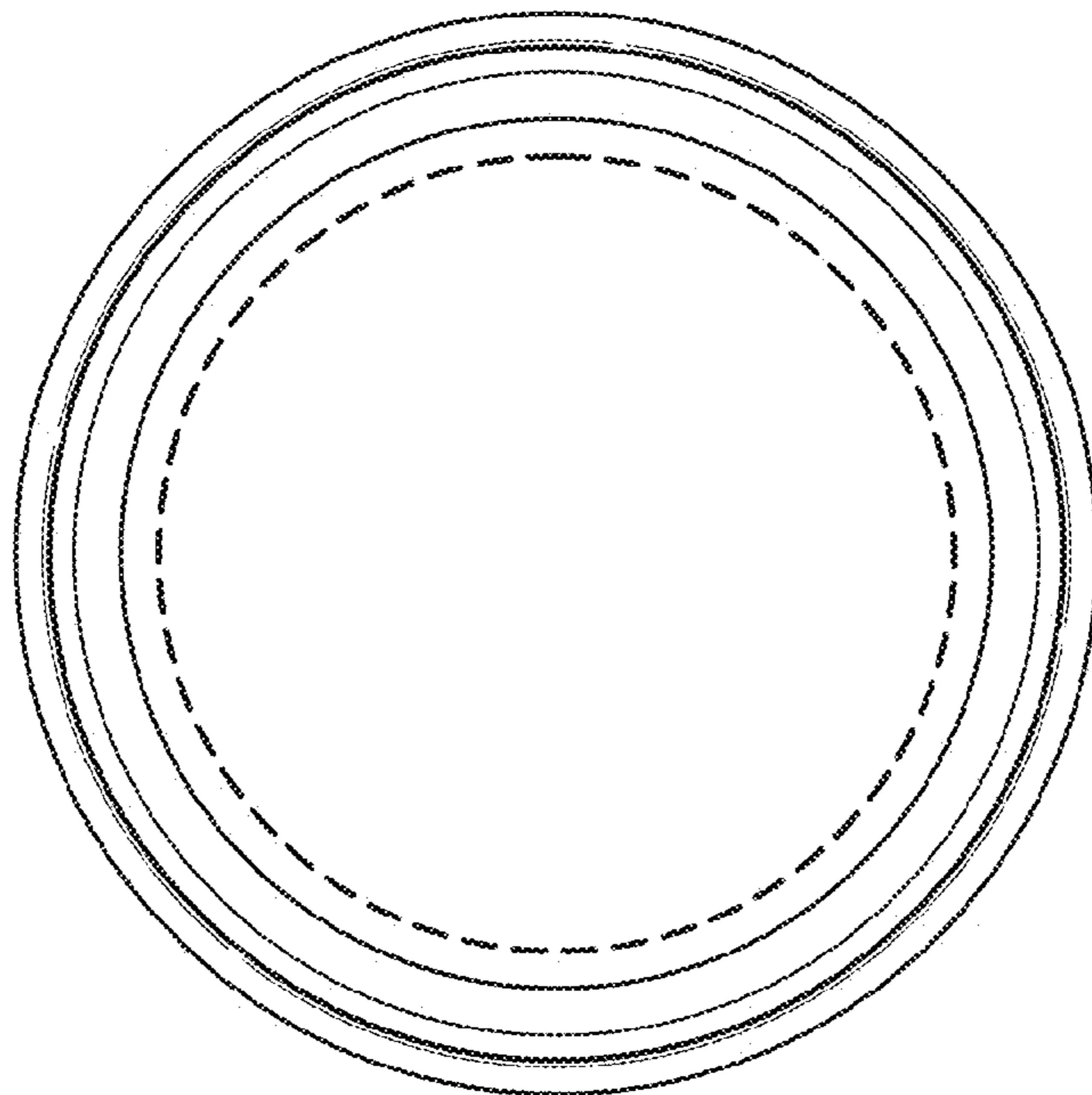


FIG. 7