



US00D753279S

(12) **United States Design Patent**
Li

(10) **Patent No.:** **US D753,279 S**

(45) **Date of Patent:** **** Apr. 5, 2016**

(54) **AROMA DIFFUSER**

(56) **References Cited**

(71) Applicant: **Puzhen Life Co., Ltd.**, Hong Kong (HK)

U.S. PATENT DOCUMENTS

(72) Inventor: **Dong Sheng Li**, Hong Kong (HK)

D491,257 S *	6/2004	Picken, Jr.	D23/366
D522,118 S *	5/2006	Miro	D23/366
D611,588 S *	3/2010	Jorgensen	D23/366
D665,893 S *	8/2012	Li	D23/366
D681,791 S *	5/2013	Jorgensen	D23/366
D696,763 S *	12/2013	Li	D23/366
D720,063 S *	12/2014	Li	D23/366

(73) Assignee: **PUZHEN LIFE CO., LTD.**, Hong Kong (HK)

(**) Term: **15 Years**

* cited by examiner

(21) Appl. No.: **29/528,297**

Primary Examiner — Sandra Snapp

(22) Filed: **May 28, 2015**

(57) **CLAIM**

The ornamental design for an aroma diffuser, as shown and described.

(30) **Foreign Application Priority Data**

DESCRIPTION

Feb. 12, 2015 (HK) 1500427

(51) **LOC (10) Cl.** **28-99**

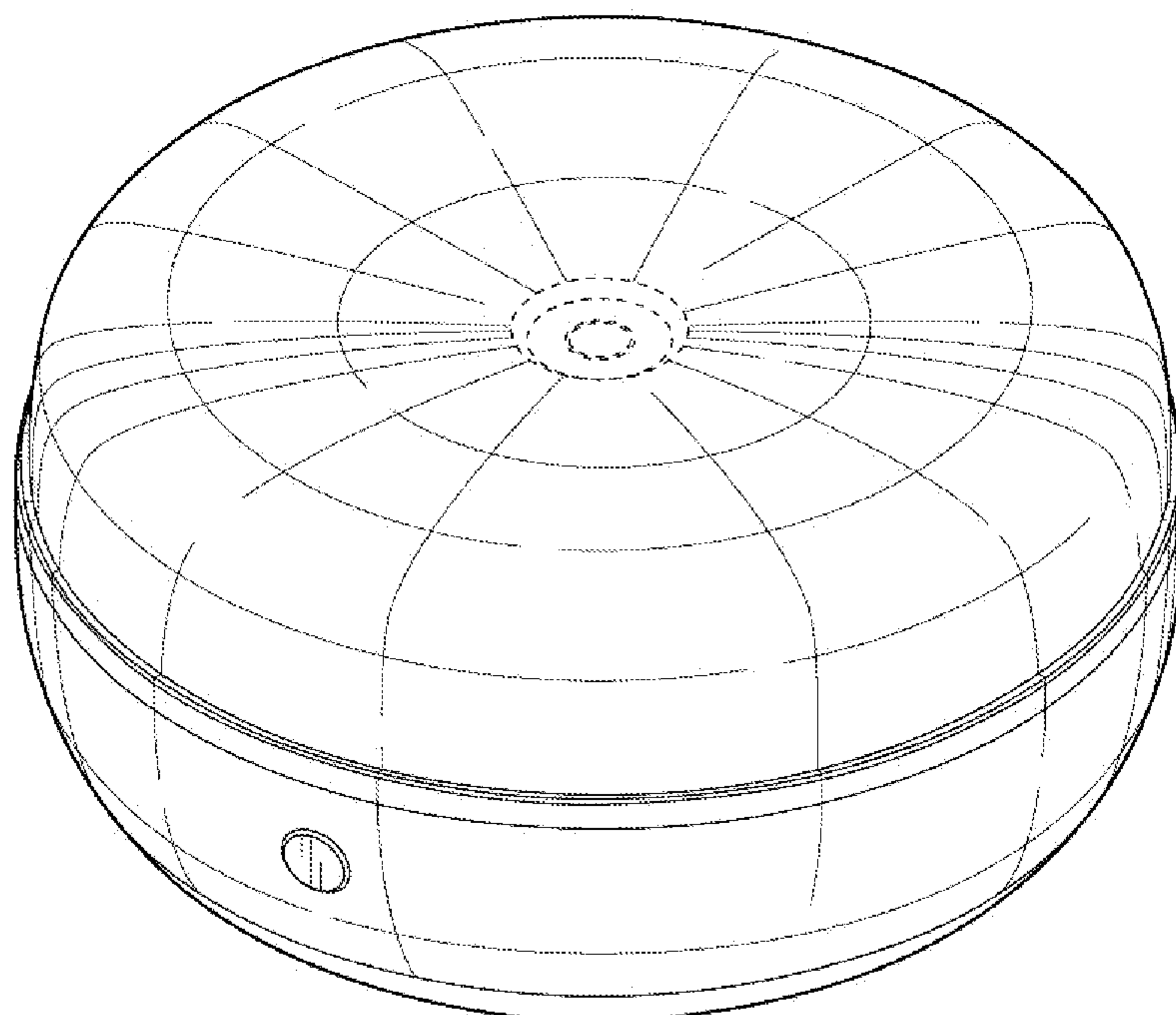
(52) **U.S. Cl.**
USPC **D23/366**

(58) **Field of Classification Search**
USPC D23/355-369; D28/5, 6; 261/DIG. 17, 261/DIG. 42, DIG. 47, DIG. 55, DIG. 65, 261/DIG. 70, DIG. 88, DIG. 89; 392/386, 392/394, 395; 239/34, 44, 53
CPC A61L 9/02; A61L 9/037; A61L 9/03; A61L 9/04; A61L 9/12; A61L 9/127; A61L 9/22

FIG. 1 is a front elevational view of an aroma diffuser showing my new design;
FIG. 2 is a rear elevational view thereof;
FIG. 3 is a right side view thereof;
FIG. 4 is a left side view thereof;
FIG. 5 is a top plan view thereof;
FIG. 6 is a bottom plan view thereof;
FIG. 7 is a first perspective view thereof; and,
FIG. 8 is a second perspective view thereof.
The broken lines are for illustrative purposes only and form no part of the claimed design.

See application file for complete search history.

1 Claim, 8 Drawing Sheets



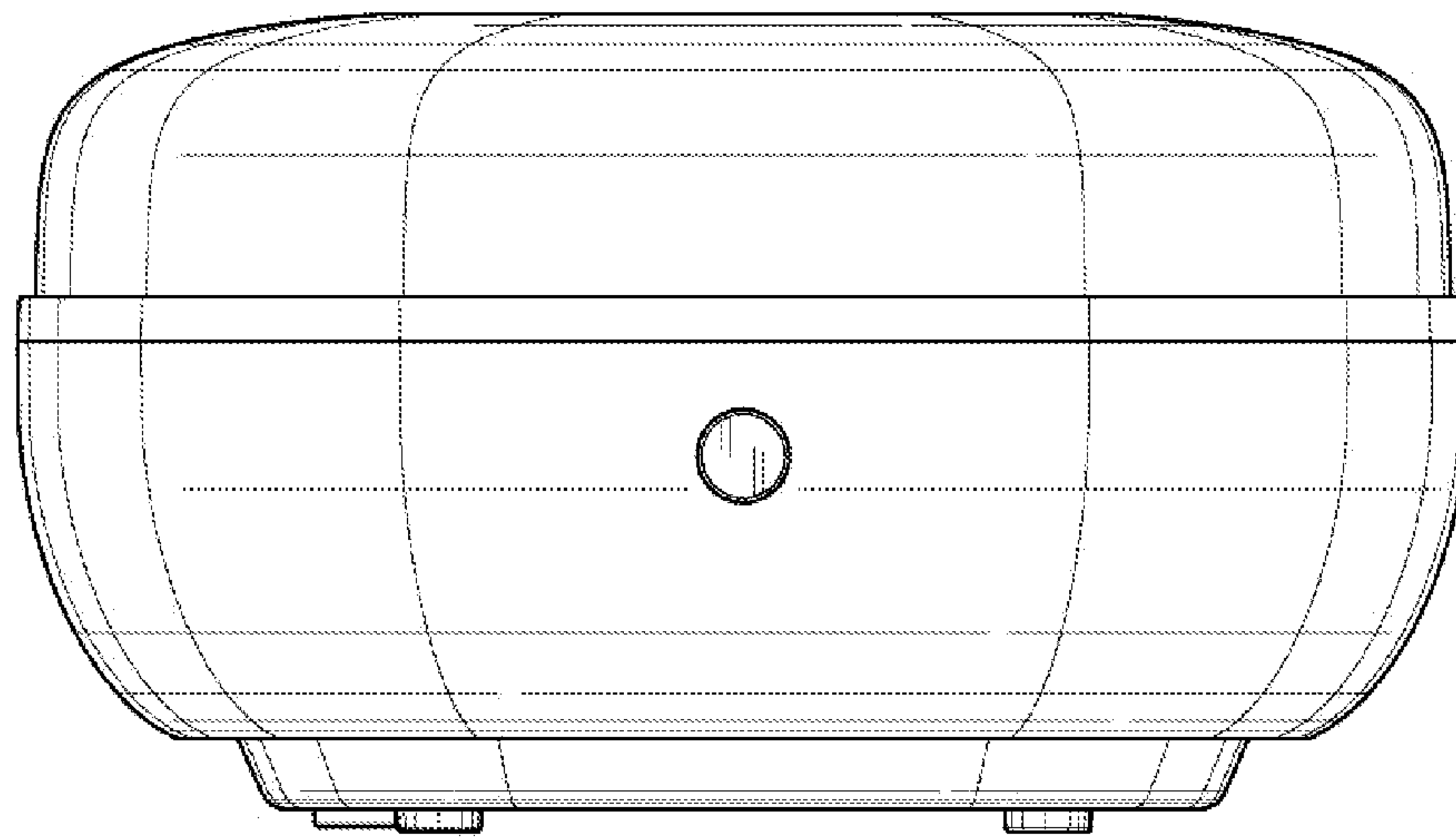


FIG. 1

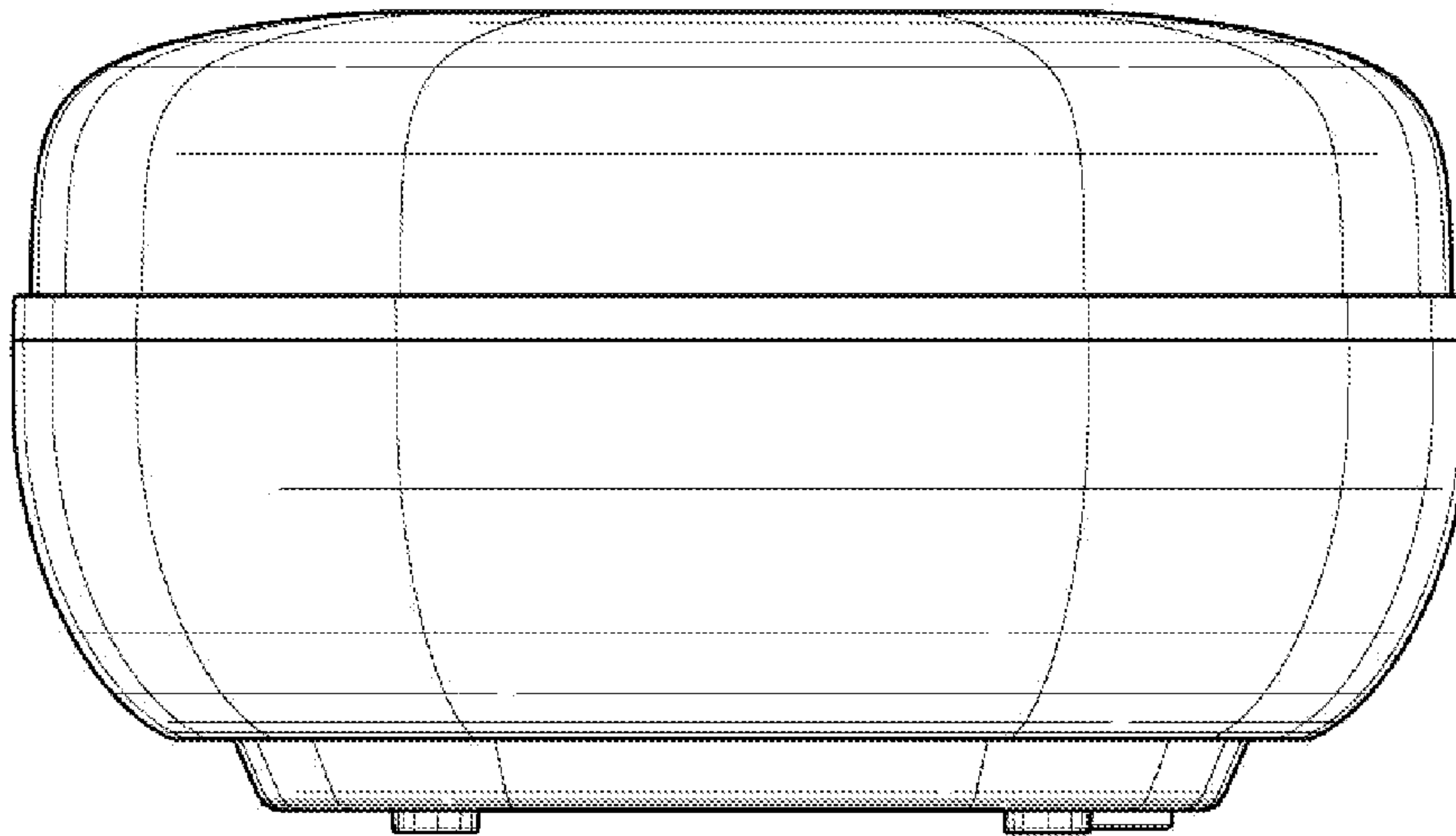


FIG. 2

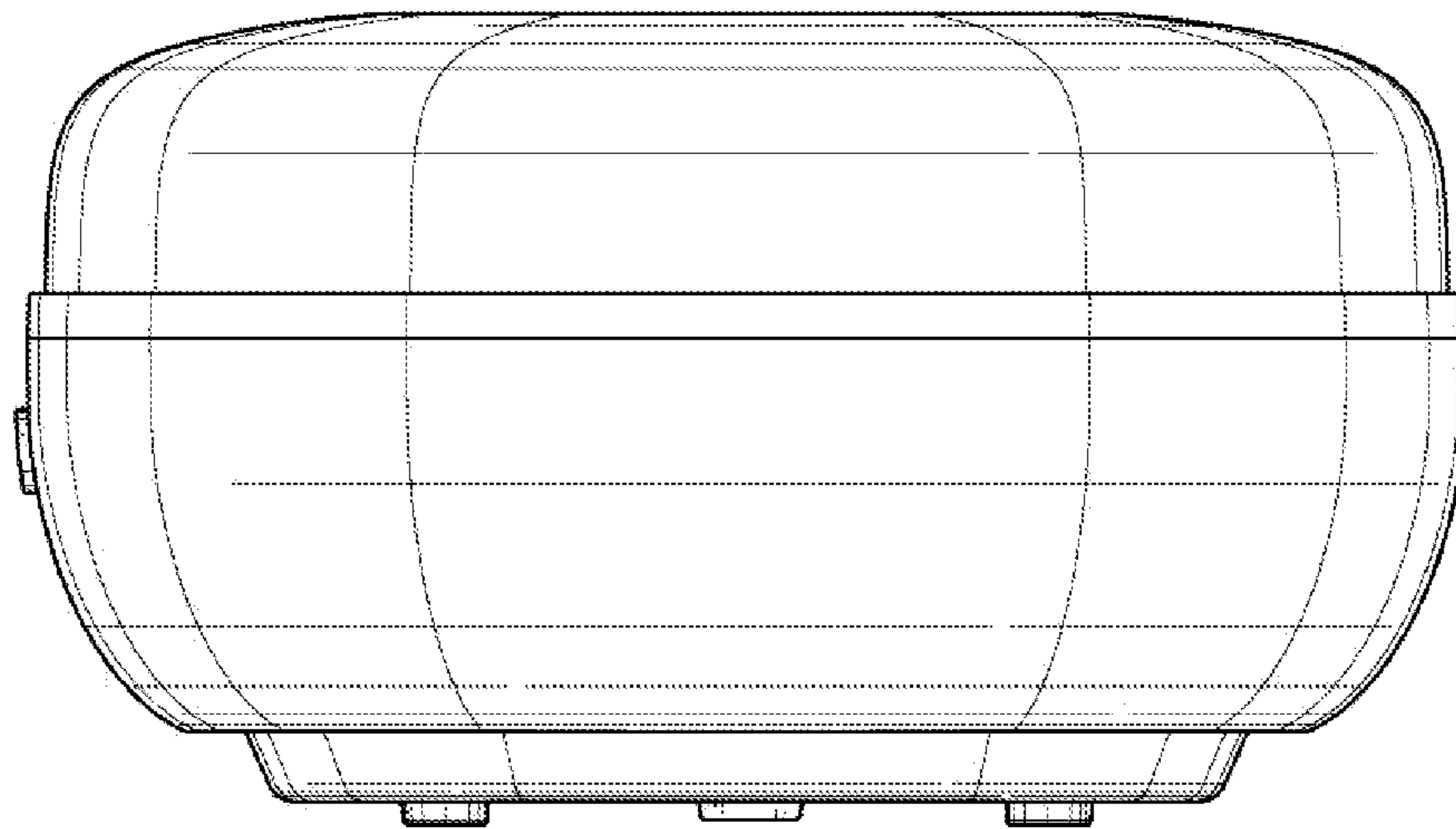


FIG. 3

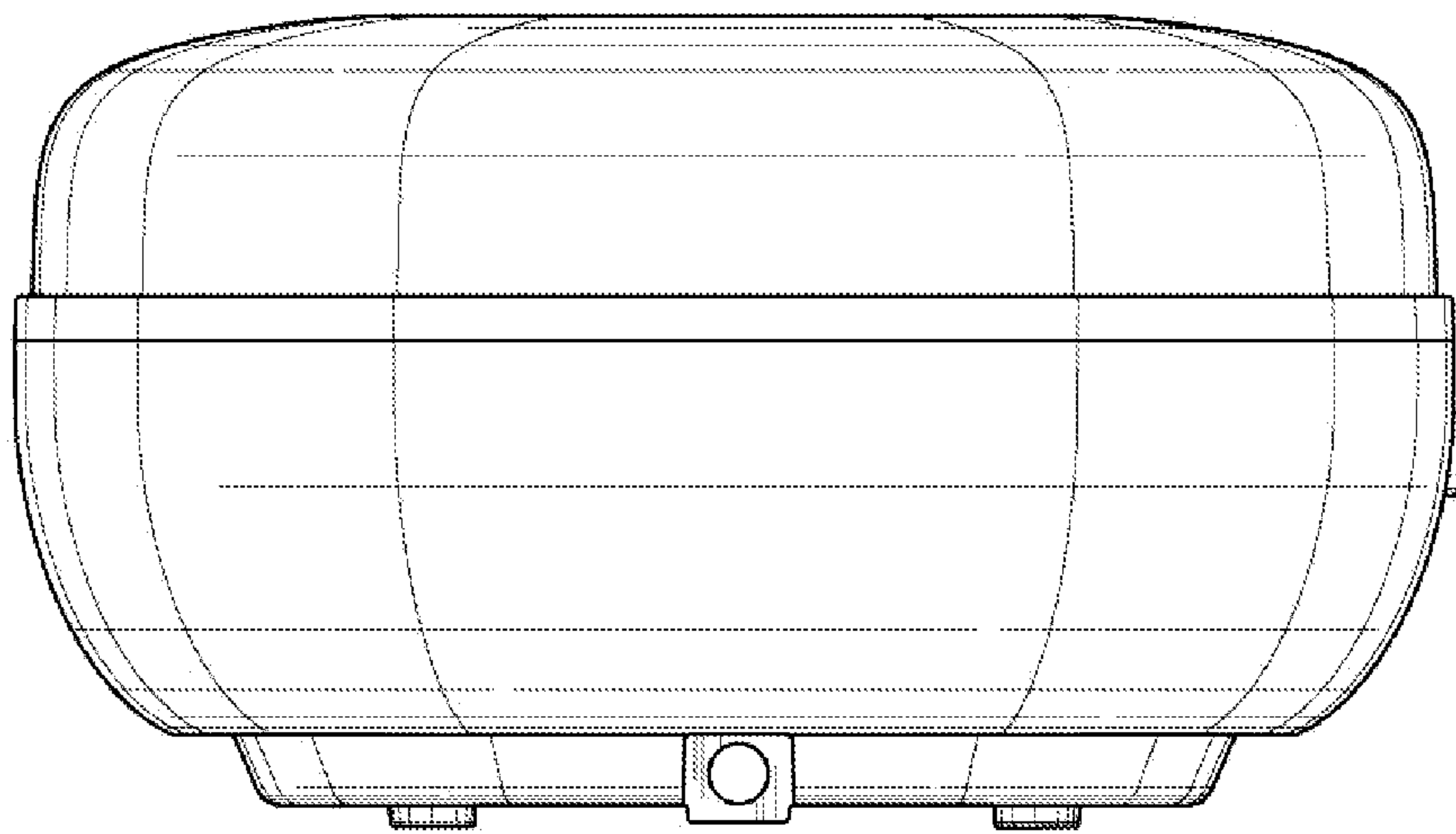


FIG. 4

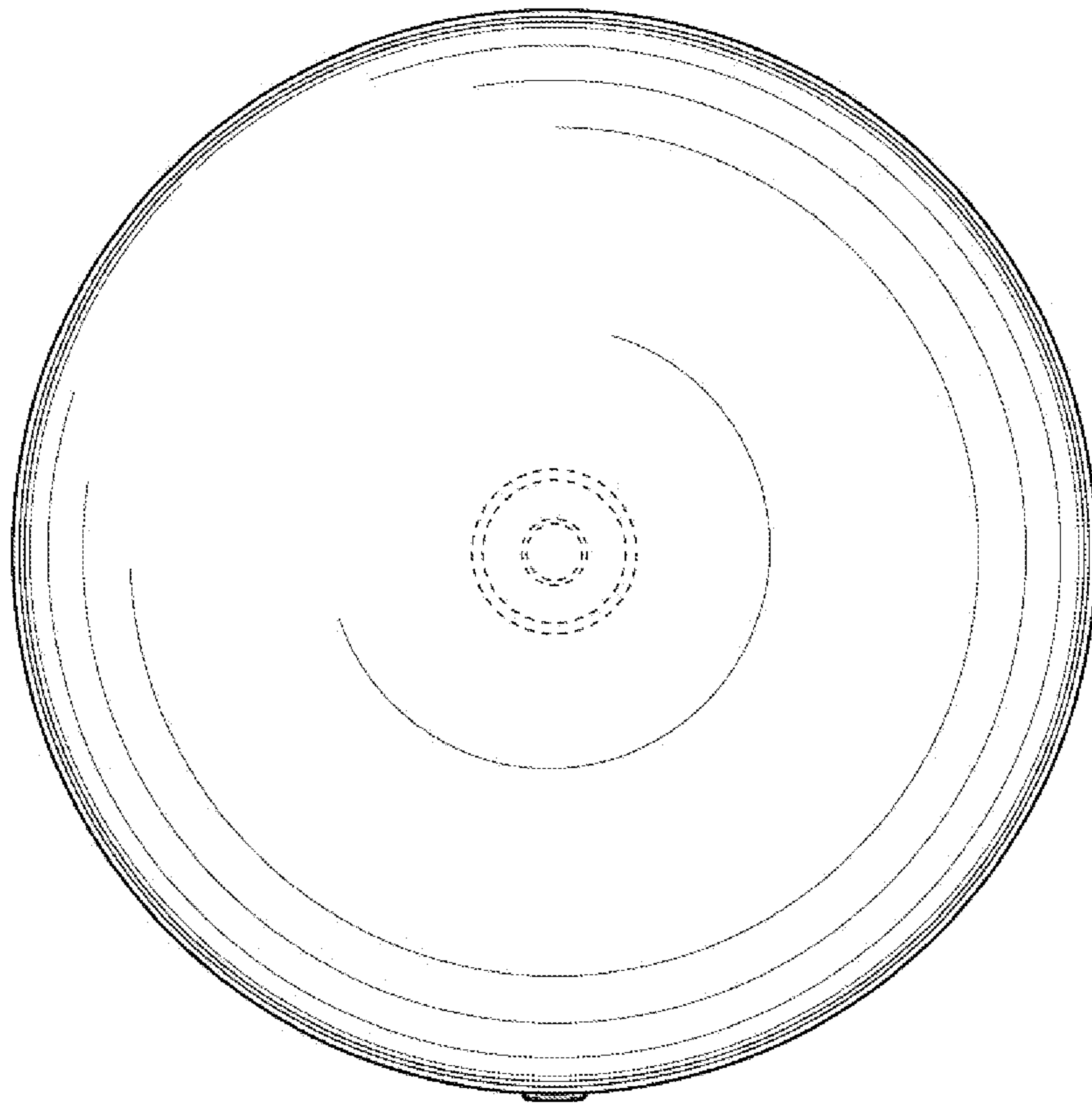


FIG. 5

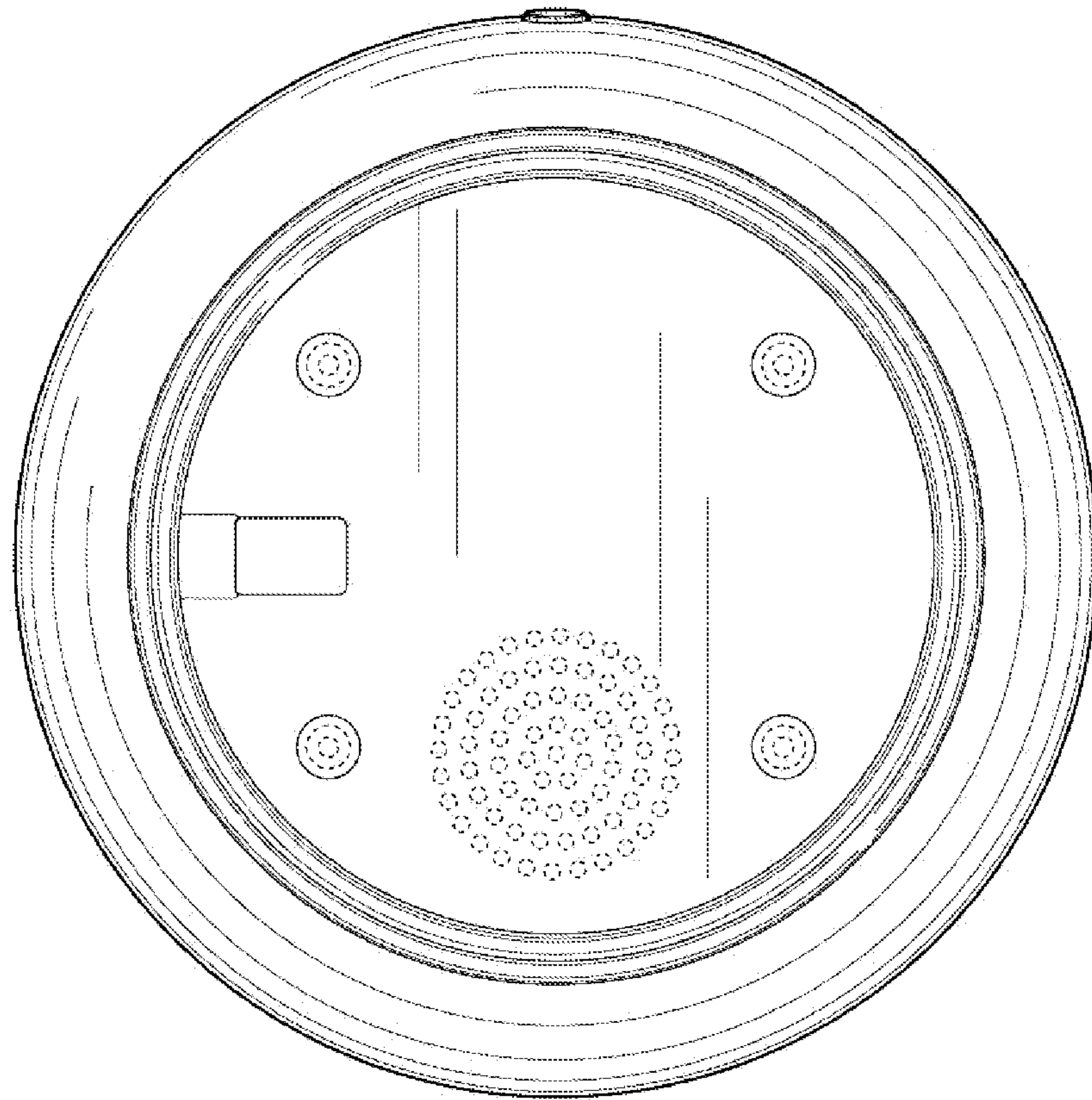


FIG. 6

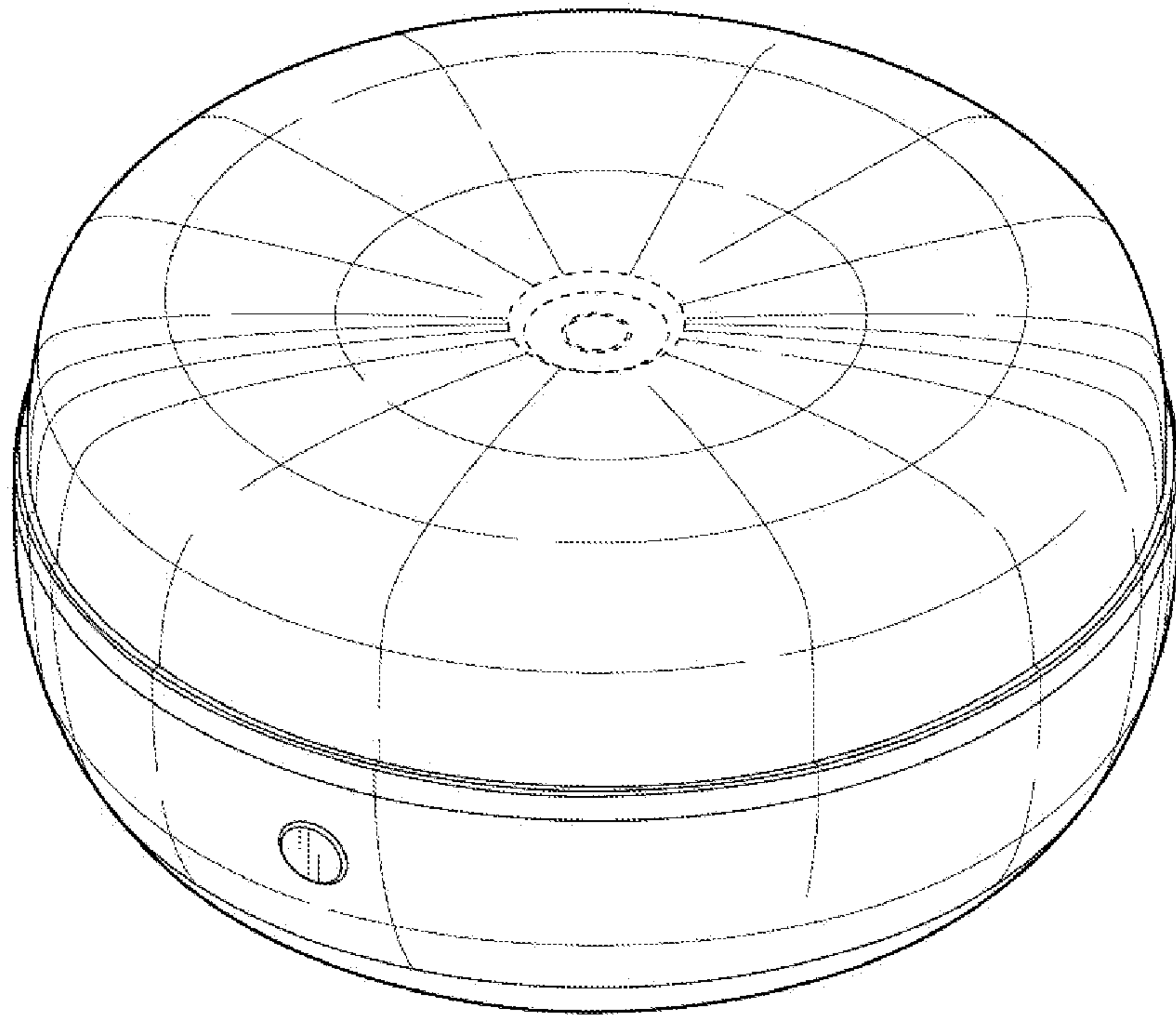


FIG. 7

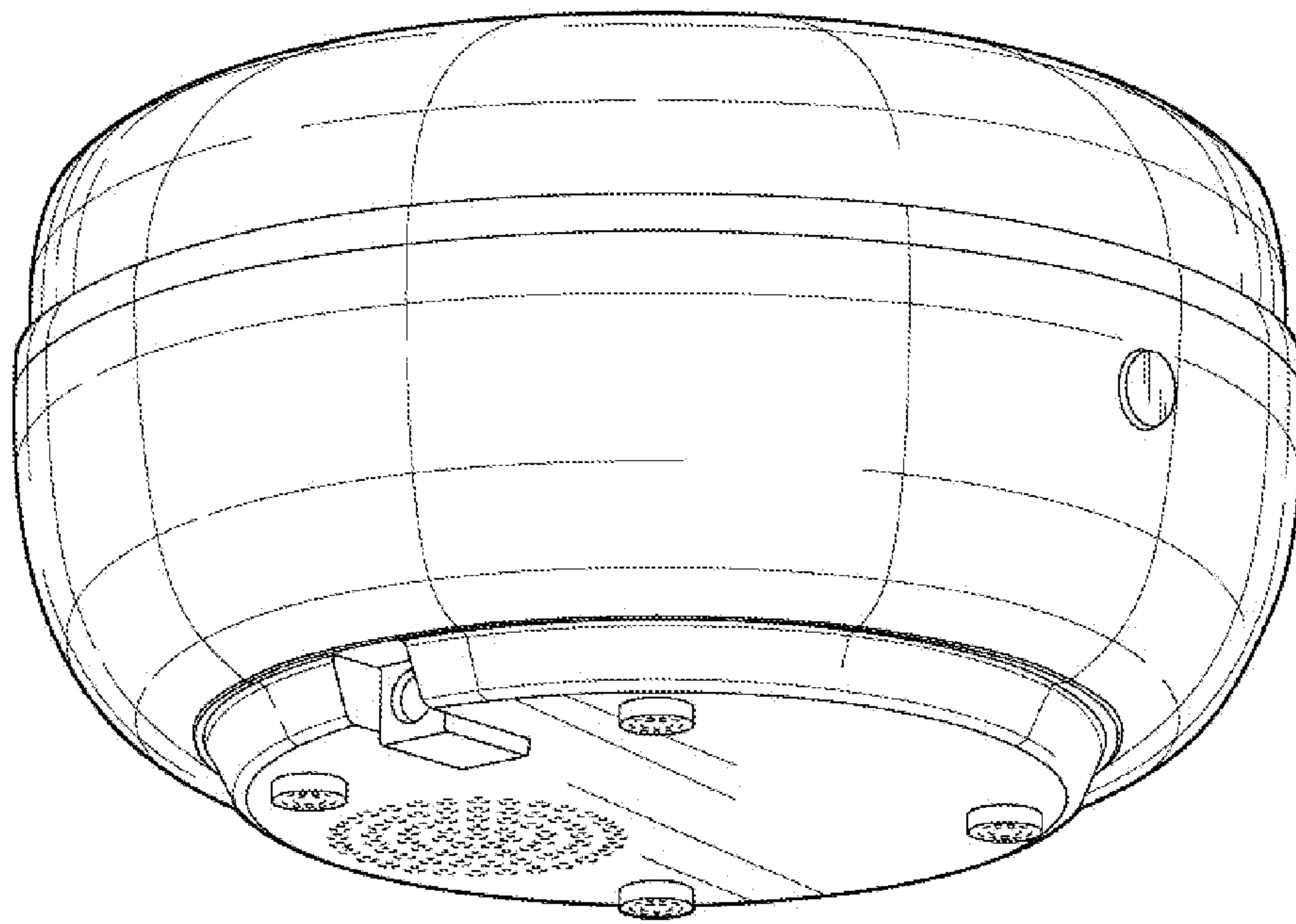


FIG. 8