



US00D753278S

(12) **United States Design Patent**
Danelon

(10) **Patent No.:** **US D753,278 S**
(45) **Date of Patent:** **** Apr. 5, 2016**

(54) **DROP IN SINK**
(71) Applicant: **RONBOW CORPORATION**, Fremont,
CA (US)
(72) Inventor: **Claudia Danelon**, London (GB)
(73) Assignee: **Ronbow Corporation**, Fremont, CA
(US)

(**) Term: **14 Years**

(21) Appl. No.: **29/515,853**

(22) Filed: **Jan. 27, 2015**

(51) **LOC (10) Cl.** **23-02**

(52) **U.S. Cl.**
USPC **D23/293.1**

(58) **Field of Classification Search**
USPC D23/271-274, 284, 286, 291-293.1,
D23/303, 308
CPC E03C 1/00; E03C 1/01; E03C 1/02;
E03C 1/12; E03C 1/18
See application file for complete search history.

(56) **References Cited**

U.S. PATENT DOCUMENTS

D385,957 S * 11/1997 Laguera Garza D23/284
D455,476 S * 4/2002 Ferrer Beltran D23/292

D562,949 S * 2/2008 Kakihana D23/293.1
D563,534 S * 3/2008 Kergoet D23/293.1
D583,029 S * 12/2008 Jiang D23/293.1
D583,447 S * 12/2008 Jiang D23/293.1
D588,247 S * 3/2009 Hanna D23/293.1
D599,449 S * 9/2009 Toyohara D23/293.1
D601,232 S * 9/2009 Hanna D23/284
D635,227 S * 3/2011 DuFour D23/284

* cited by examiner

Primary Examiner — Robert Delehanty

(74) *Attorney, Agent, or Firm* — Thomas Schneck

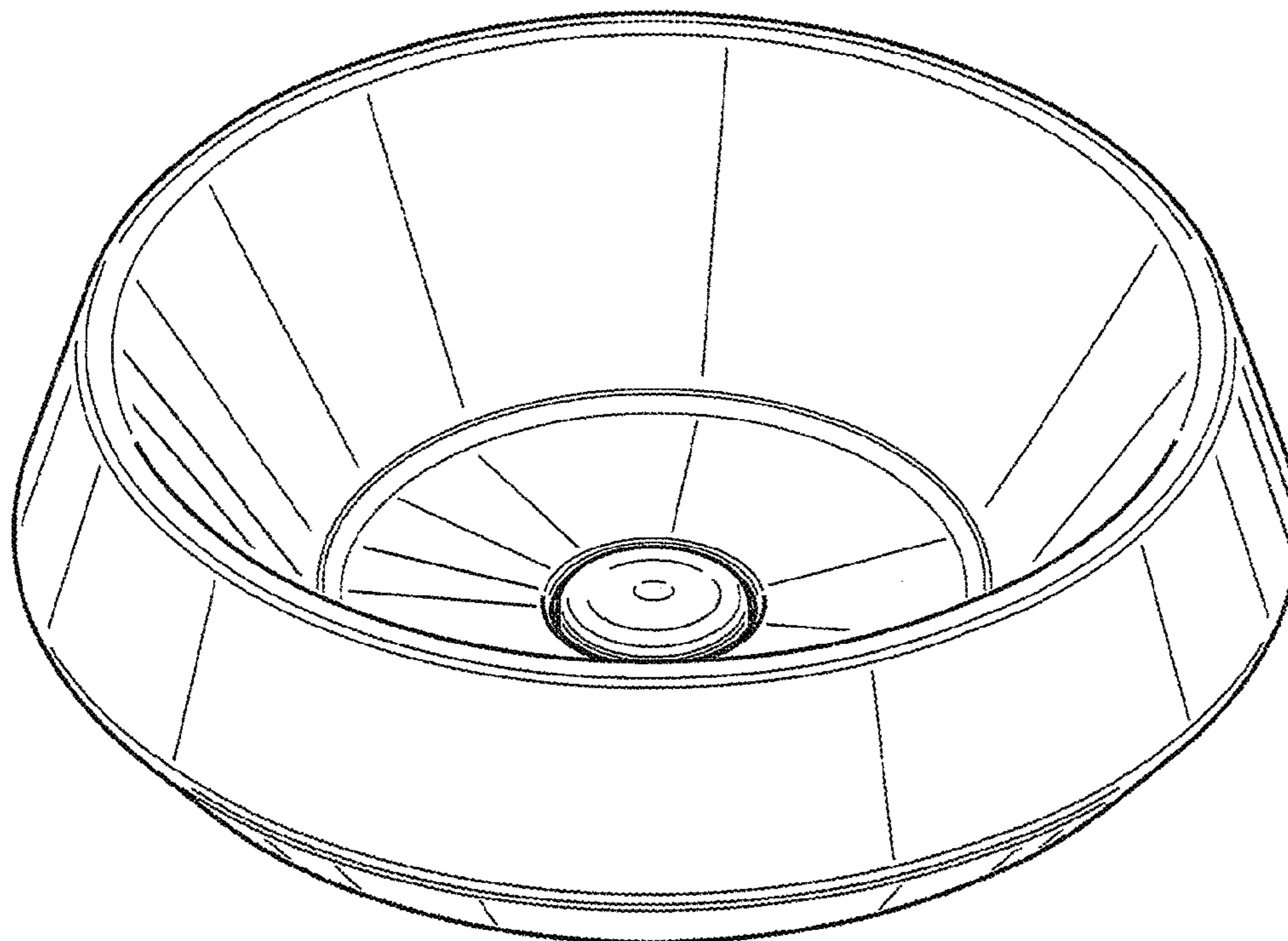
(57) **CLAIM**

I claim the design for a drop in sink, as shown and described.

DESCRIPTION

FIG. 1 is an upper perspective view of a first embodiment of a drop in sink of my design;
FIG. 2 is a top view thereof, the bottom view being plain, unornamented and unclaimed;
FIG. 3 is an elevational side view thereof, with all elevational views being identical; and,
FIG. 4 is a cross sectional view taken along line 4-4 in FIG. 2, the dashed lines representing unclaimed sectional regions.

1 Claim, 2 Drawing Sheets



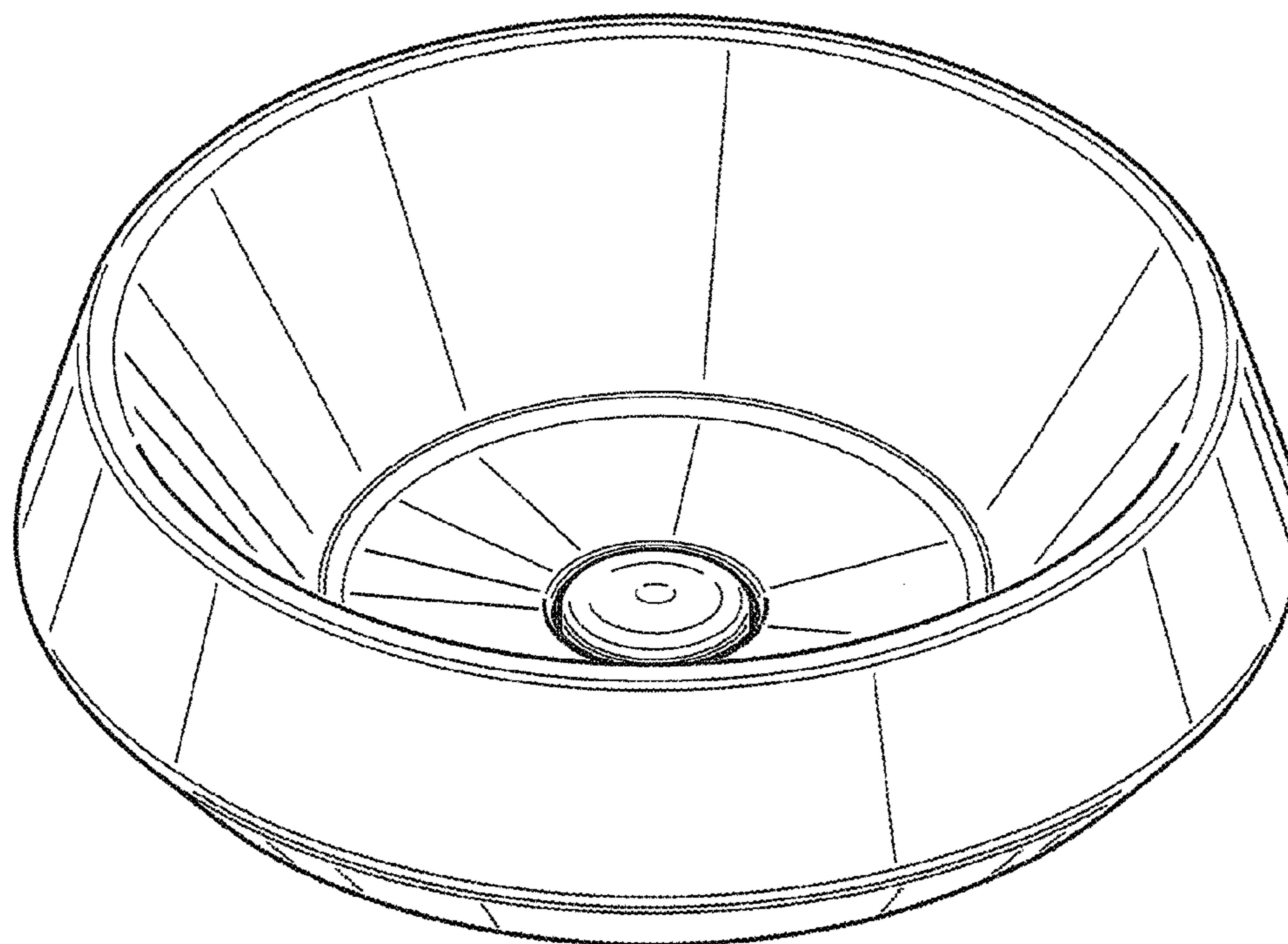


FIG. 1

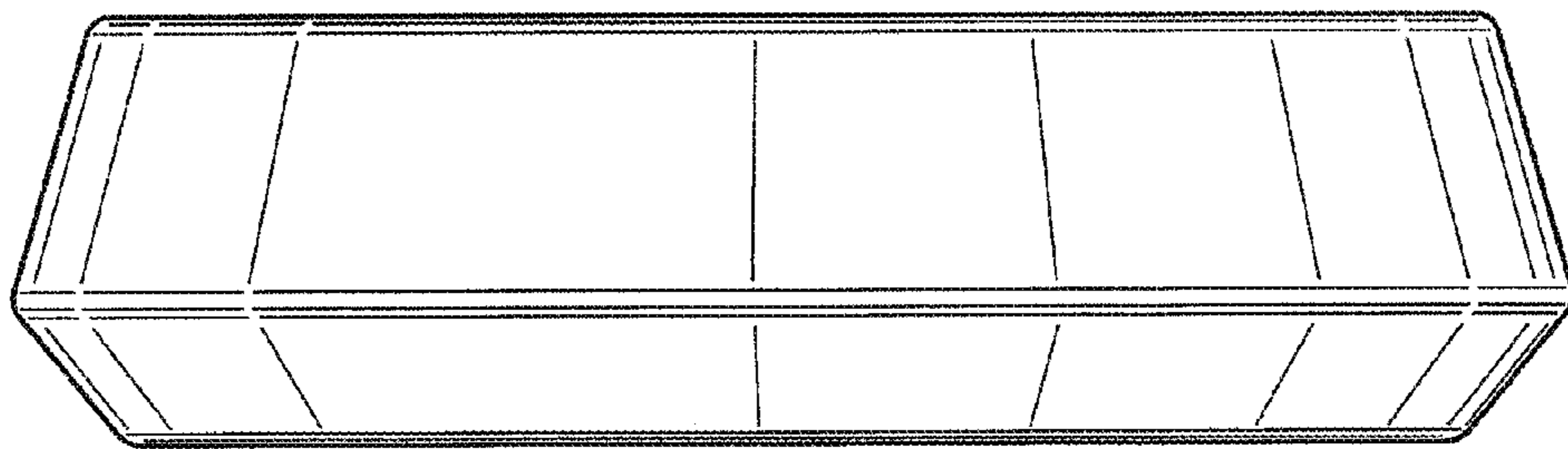
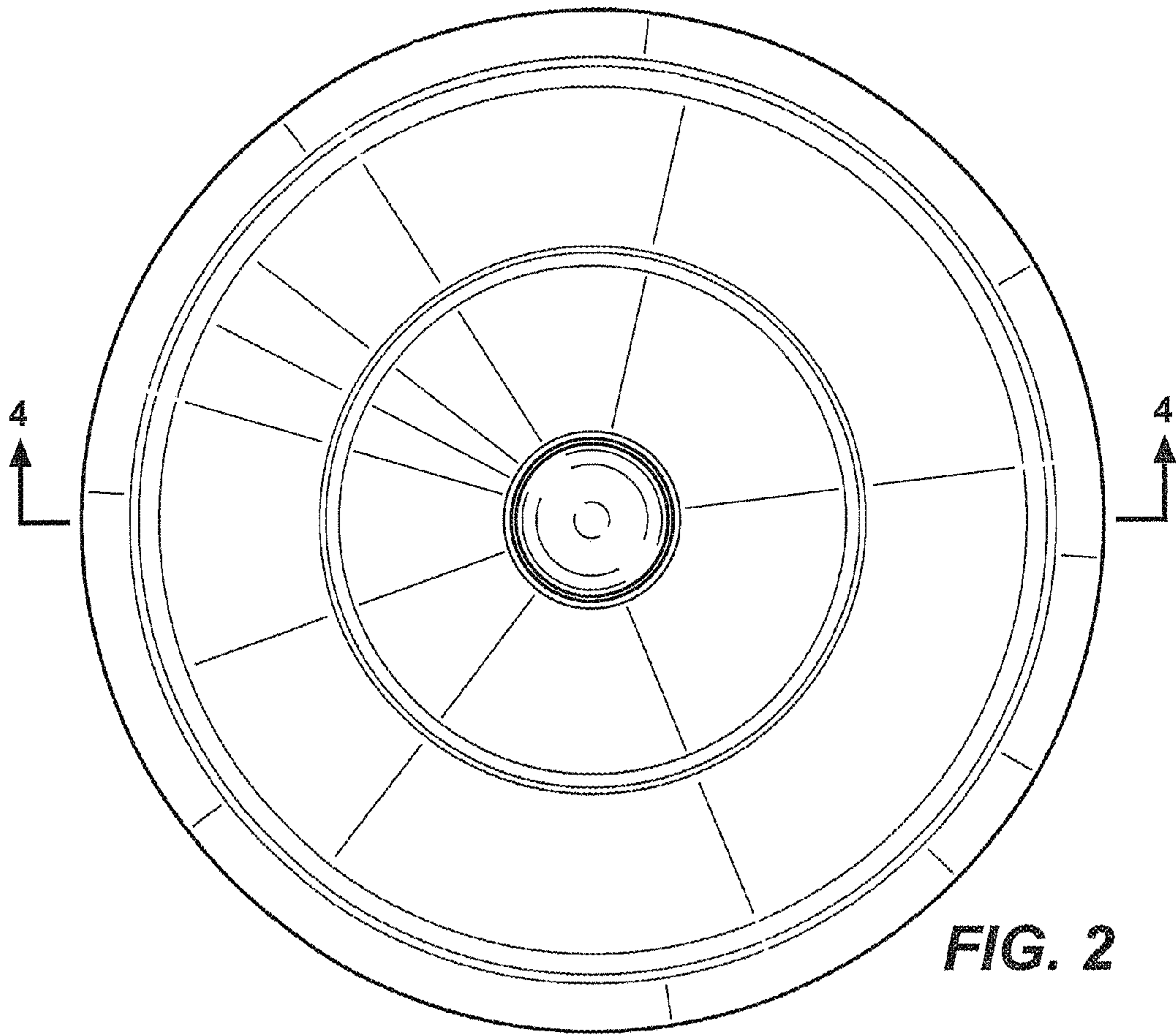


FIG. 3

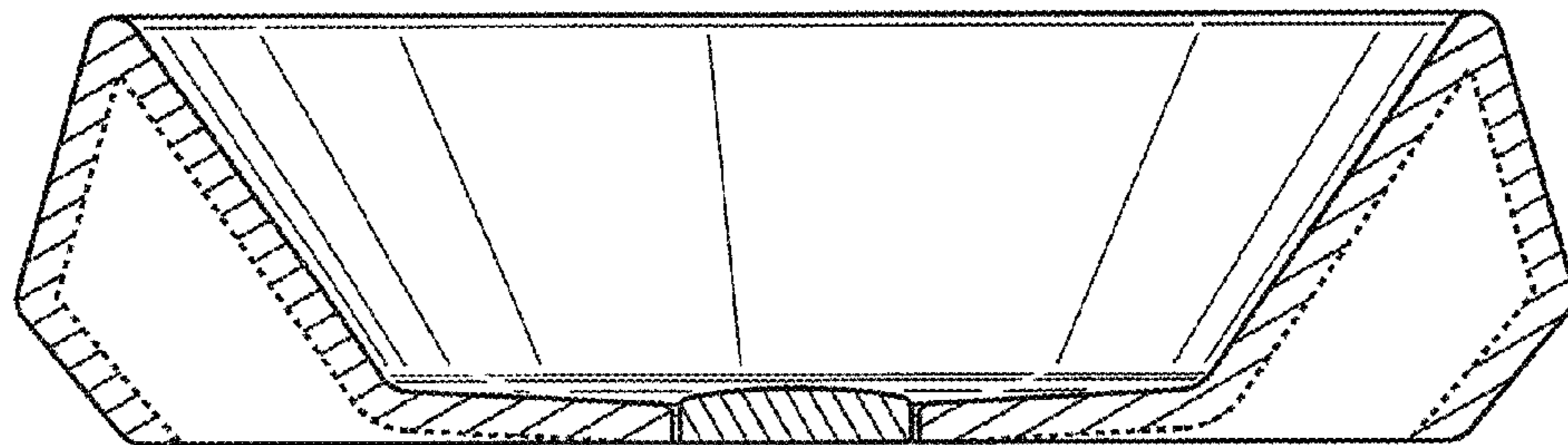


FIG. 4