



US00D753277S

(12) **United States Design Patent**
Wobbrock et al.

(10) **Patent No.:** **US D753,277 S**
(45) **Date of Patent:** **** Apr. 5, 2016**

(54) **OVAL SINK WITH CONVEX BOTTOM**

(71) Applicants: **Nicholas Wobbrock**, Lake Oswego, OR
(US); **Jan Pawluskiewicz**, Seattle, WA
(US)

(72) Inventors: **Nicholas Wobbrock**, Lake Oswego, OR
(US); **Jan Pawluskiewicz**, Seattle, WA
(US)

(73) Assignee: **Cascade Revolution, LLC**, Portland,
OR (US)

(**) Term: **14 Years**

(21) Appl. No.: **29/517,424**

(22) Filed: **Feb. 12, 2015**

(51) **LOC (10) Cl.** **23-02**

(52) **U.S. Cl.**
USPC **D23/284**

(58) **Field of Classification Search**
USPC D23/271-274, 284, 286, 291-293.1,
D23/303, 308; D30/123
CPC E03C 1/00; E03C 1/01; E03C 1/02;
E03C 1/12; E03C 1/18

See application file for complete search history.

(56) **References Cited**

U.S. PATENT DOCUMENTS

D545,947 S *	7/2007	Bruce	D23/293.1
D583,029 S *	12/2008	Jiang	D23/293.1
D599,449 S *	9/2009	Toyohara	D23/293.1
D669,230 S *	10/2012	Johnson	D30/123

* cited by examiner

Primary Examiner — Robert Delehanty

(74) *Attorney, Agent, or Firm* — Mersenne Law

(57) **CLAIM**

We claim the ornamental design for an oval sink with a convex bottom, as shown and described.

DESCRIPTION

FIG. 1 shows a perspective view of the claimed embodiment. FIG. 2 shows a right side view of the embodiment. The left side view is a mirror image thereof. FIG. 3 shows a cutaway view of the right side. FIG. 4 is a front view of the embodiment. FIG. 5 is a top view of the embodiment; and, FIG. 6 is a bottom view of the embodiment. Short broken lines depicting countertop, faucet and drain pipe in FIGS. 1-4 are directed to environment and form no part of the invention. Short broken lines in FIG. 5 indicate the contours of the convex sink bottom.

1 Claim, 3 Drawing Sheets

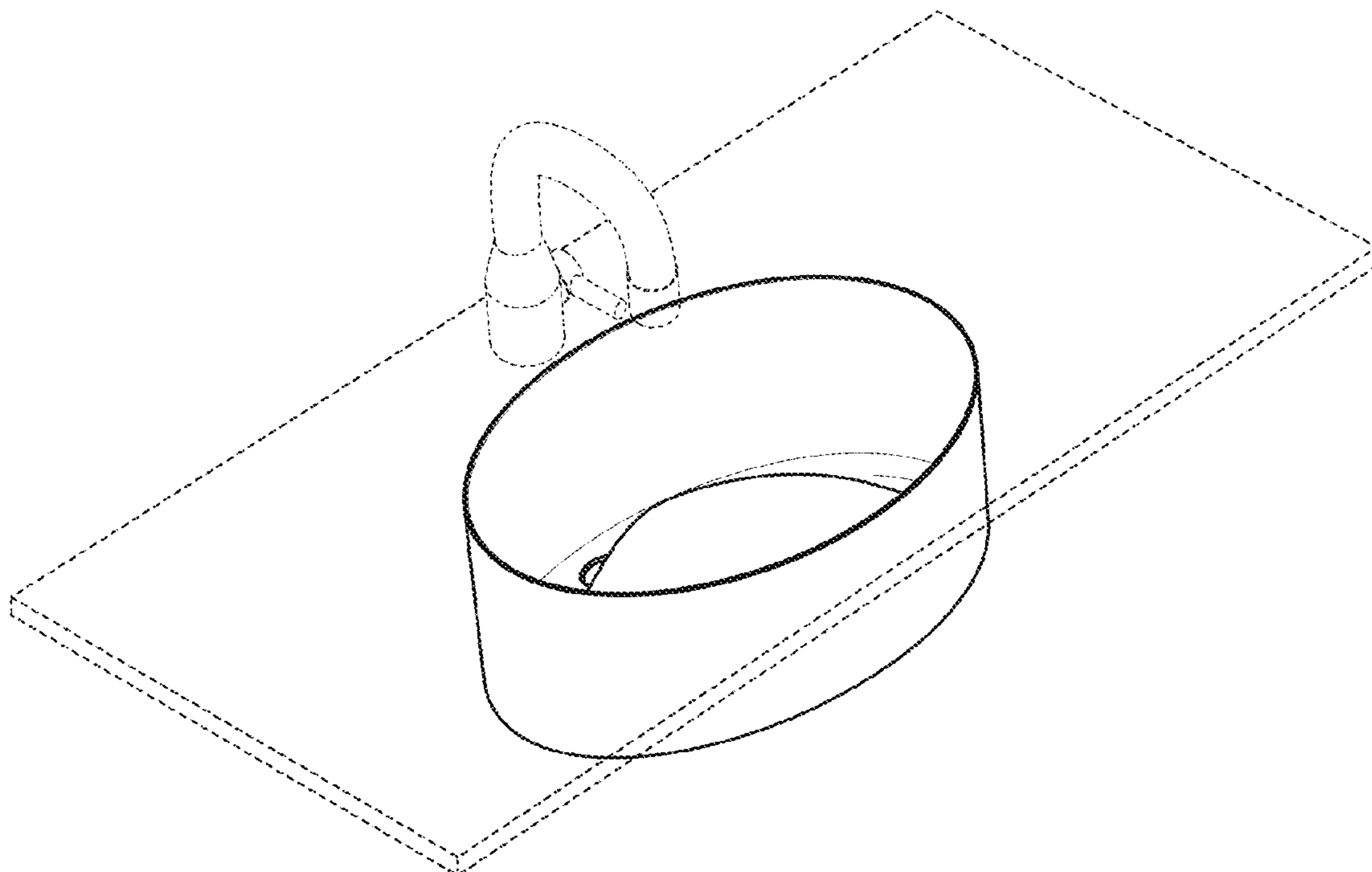


Fig. 1

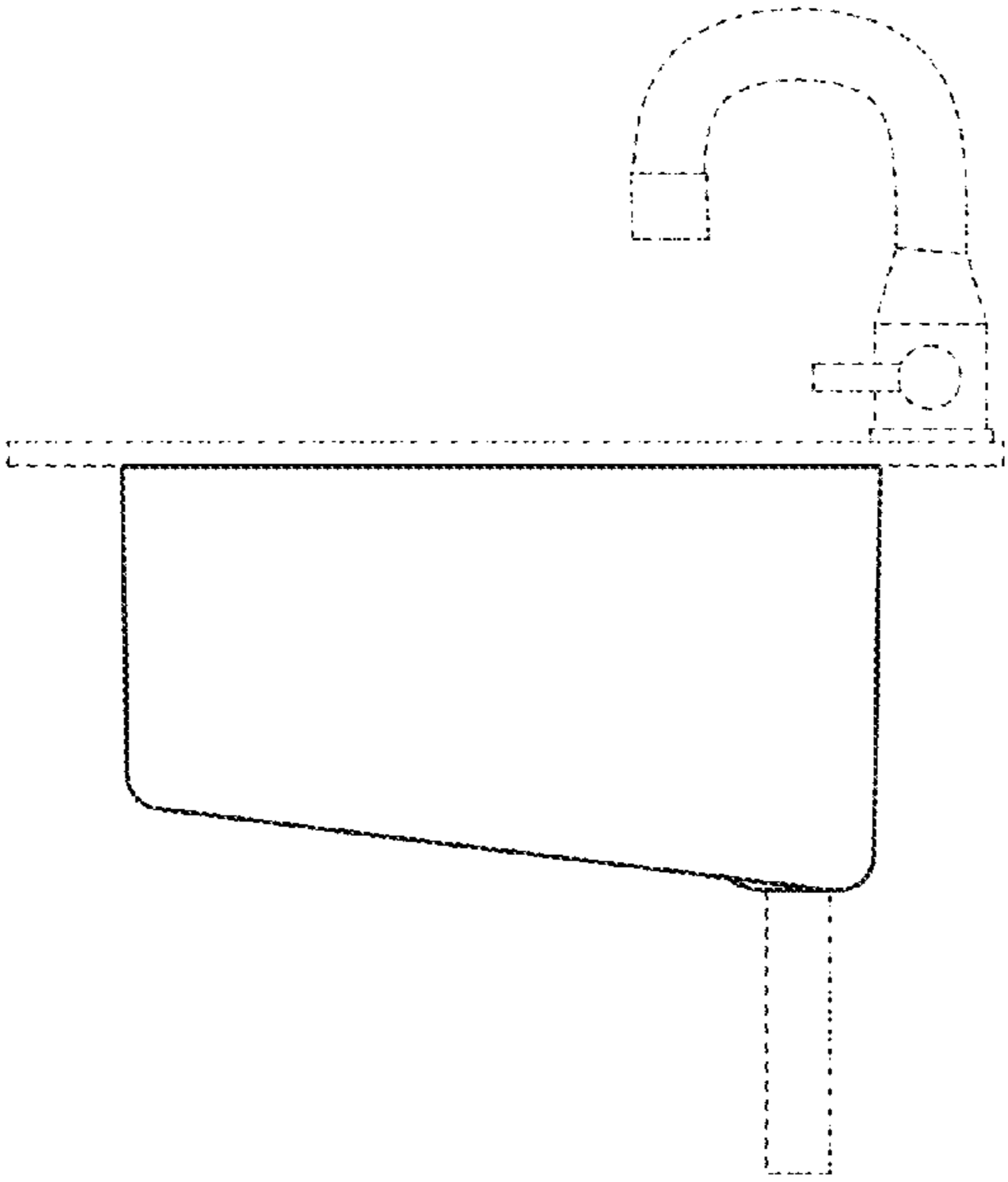
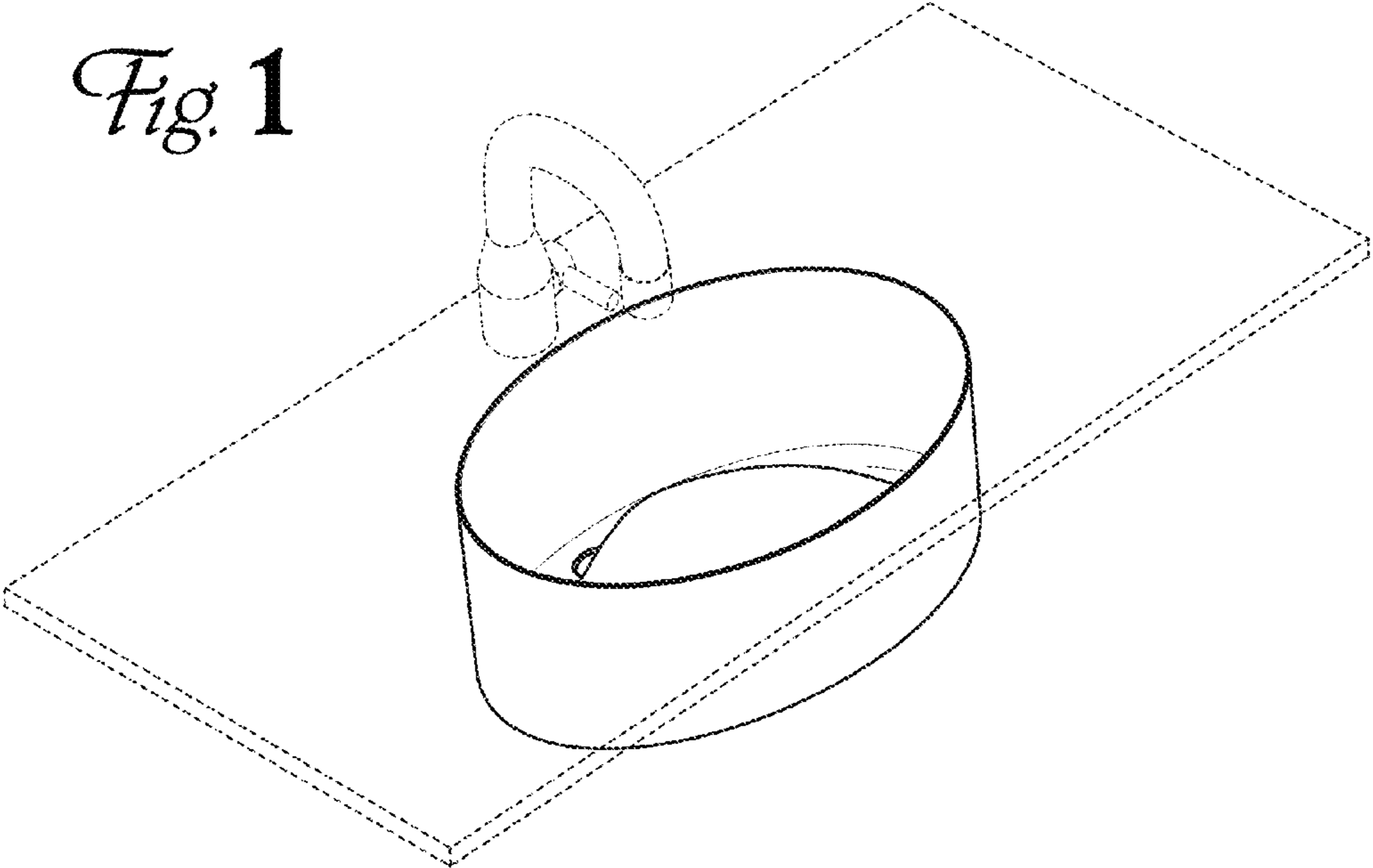


Fig. 2

Fig. 3

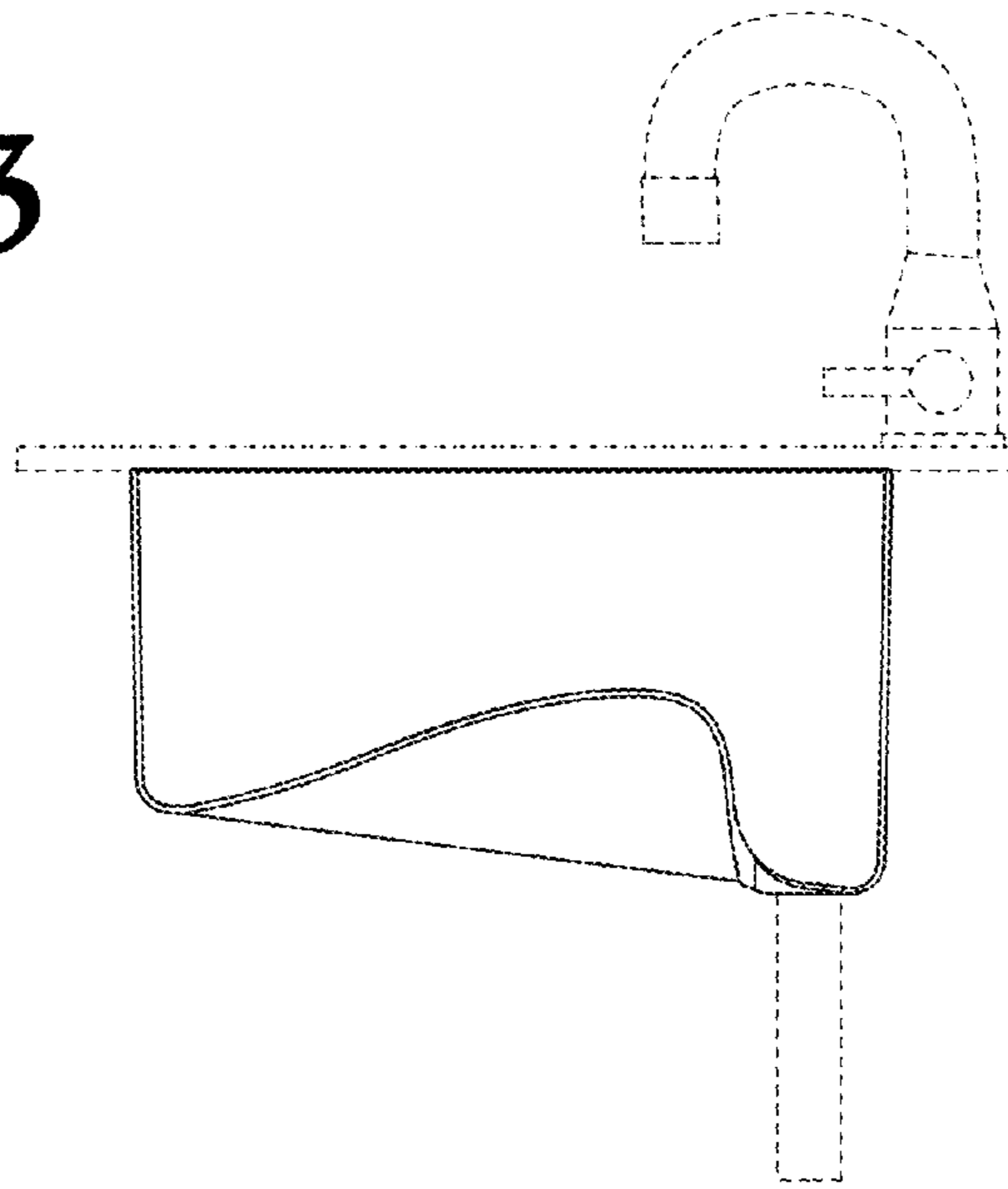


Fig. 4

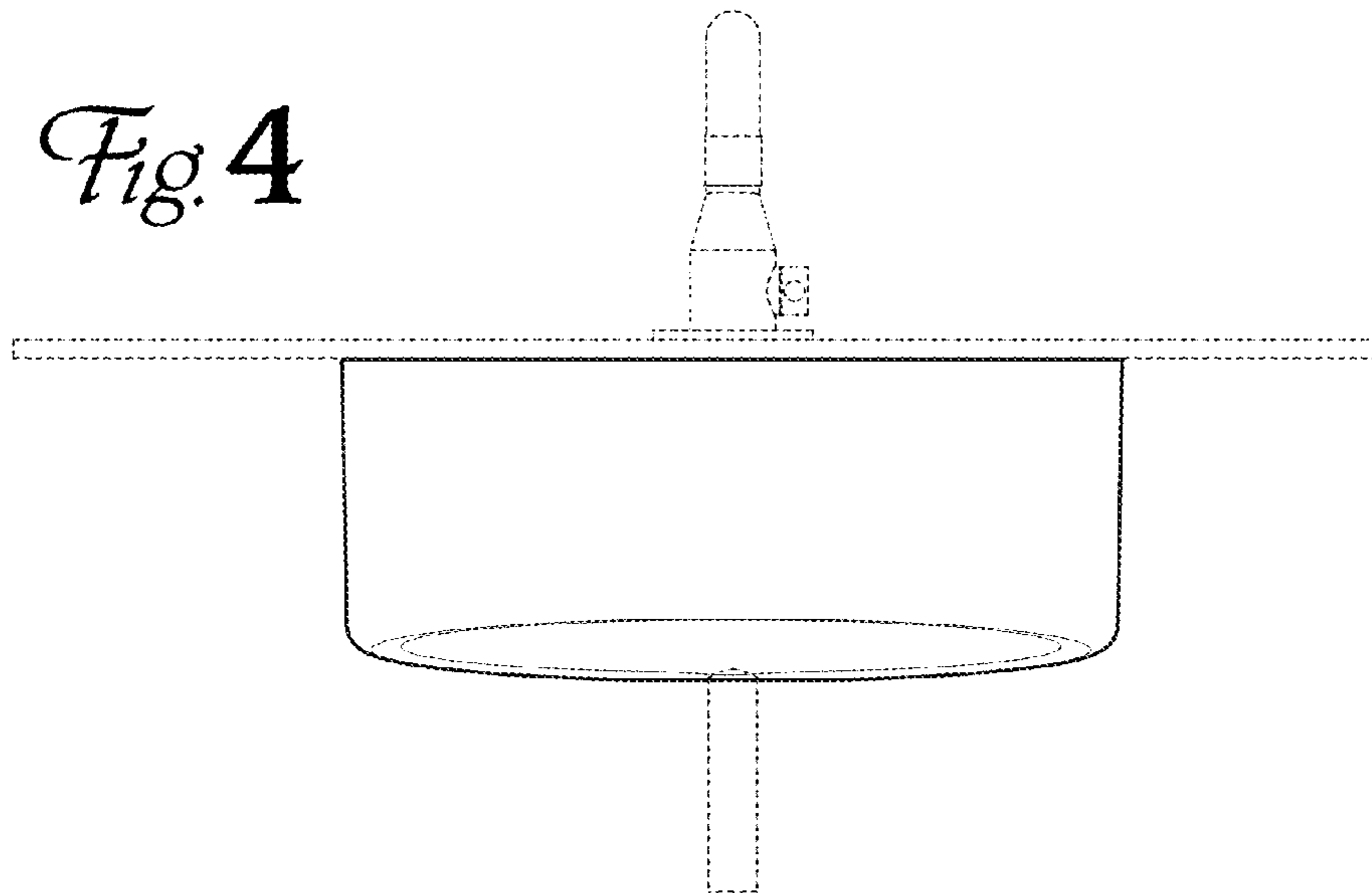


Fig. 5

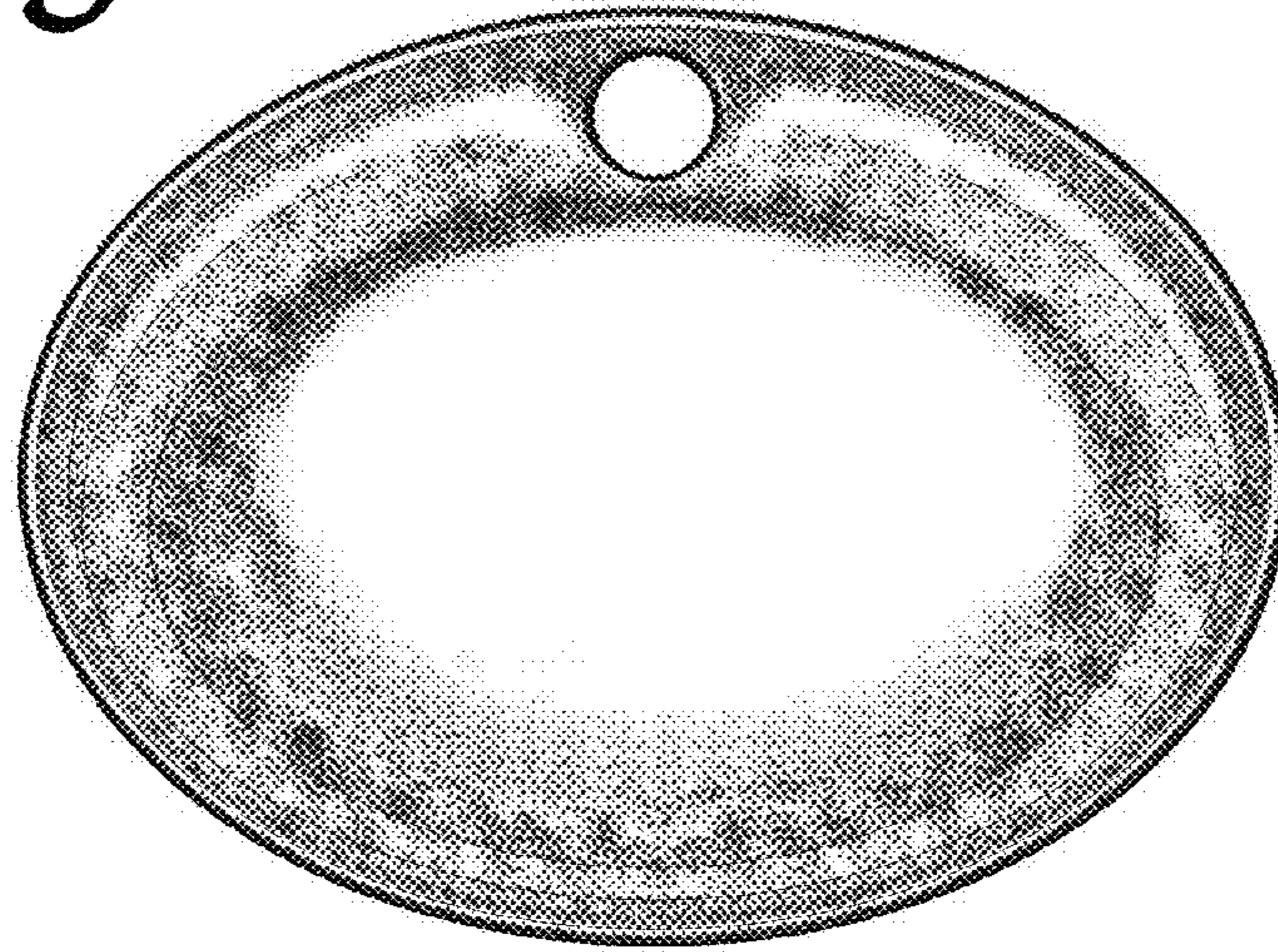


Fig. 6

