



US00D753273S

(12) **United States Design Patent**
Lin

(10) **Patent No.:** **US D753,273 S**

(45) **Date of Patent:** **** Apr. 5, 2016**

(54) **WATER HOSE**

(71) Applicant: **Ting-I Lin**, Chan-Hwa (TW)

(72) Inventor: **Ting-I Lin**, Chan-Hwa (TW)

(**) Term: **14 Years**

(21) Appl. No.: **29/520,184**

(22) Filed: **Mar. 12, 2015**

(51) **LOC (10) Cl.** **23-01**

(52) **U.S. Cl.**
USPC **D23/266**

(58) **Field of Classification Search**
USPC D23/259-266; D8/356
CPC F16L 11/133; F16L 59/15; F16L 11/121;
F16L 11/16; F16L 9/22; F16L 39/00; B29D
23/001; A22C 13/0013
See application file for complete search history.

(56) **References Cited**

U.S. PATENT DOCUMENTS

| | | | | |
|----------------|---------|-------------|-------|-----------------------|
| D244,033 S * | 4/1977 | Elson | | D23/266 |
| 5,682,925 A * | 11/1997 | Seckel | | F16L 11/04 138/109 |
| D443,041 S * | 5/2001 | Uhlenkott | | D23/266 |
| D475,439 S * | 6/2003 | Lin | | D23/266 |
| 6,692,037 B1 * | 2/2004 | Lin | | F16L 11/22 138/115 |
| D488,545 S * | 4/2004 | Takamatu | | D23/266 |
| D498,825 S * | 11/2004 | Fu | | D23/266 |
| D499,465 S * | 12/2004 | Paul, III | | D23/266 |
| D581,033 S * | 11/2008 | Christopher | | D23/263 |
| D586,435 S * | 2/2009 | Reckseen | | D23/266 |
| D604,810 S * | 11/2009 | Lin | | D23/266 |
| D609,313 S * | 2/2010 | Lin | | D23/266 |
| D611,576 S * | 3/2010 | Tokuno | | D23/266 |
| D612,464 S * | 3/2010 | Weisel | | D23/266 |

| | | | | |
|-------------------|---------|-----------|-------|-----------------------|
| D612,917 S * | 3/2010 | Eilertson | | D23/266 |
| D623,278 S * | 9/2010 | Eilertson | | D23/266 |
| D671,623 S * | 11/2012 | Lin | | D23/266 |
| D672,440 S * | 12/2012 | Mears | | D23/266 |
| D720,438 S * | 12/2014 | Totten | | D23/266 |
| D727,474 S * | 4/2015 | Hargens | | D23/266 |
| D728,080 S * | 4/2015 | Selby | | D23/266 |
| D728,754 S * | 5/2015 | Hargens | | D23/266 |
| D731,032 S * | 6/2015 | Yang | | D23/266 |
| D731,033 S * | 6/2015 | Kury | | D23/266 |
| D733,269 S * | 6/2015 | Aramli | | D23/266 |
| 2007/0131298 A1 * | 6/2007 | Ueng | | F16L 11/22 138/115 |
| 2008/0072983 A1 * | 3/2008 | Wu | | F16L 9/003 138/118 |

* cited by examiner

Primary Examiner — John Windmuller

Assistant Examiner — Steven Czyz

(74) *Attorney, Agent, or Firm* — Lin & Associates
Intellectual Property, Inc.

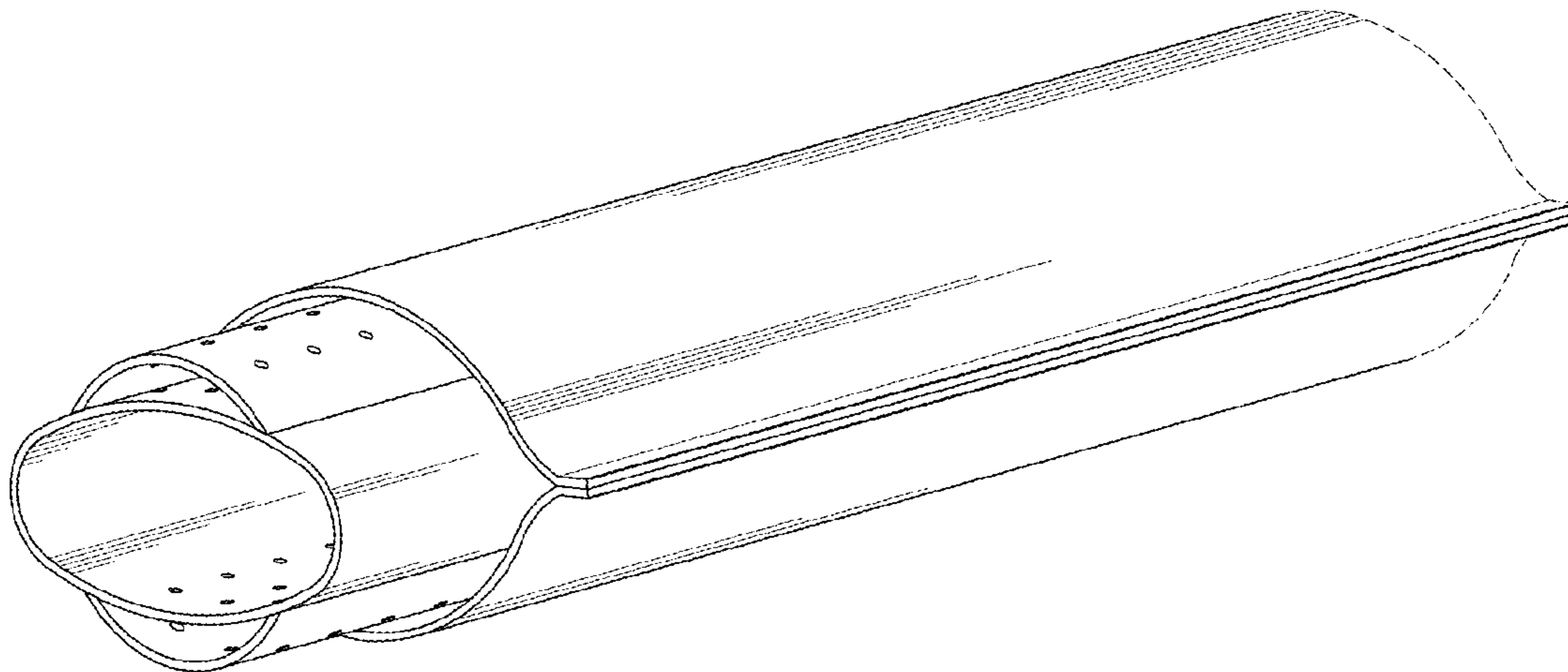
(57) **CLAIM**

The ornamental design for a water hose, as shown and described.

DESCRIPTION

FIG. 1 is a perspective view of a water hose showing my new design;
FIG. 2 is a front elevational view thereof;
FIG. 3 is a rear elevational view thereof;
FIG. 4 is a left elevational view thereof;
FIG. 5 is a right elevational view thereof;
FIG. 6 is a top view thereof;
FIG. 7 is a bottom view thereof; and,
FIG. 8 is a cross sectional view taken along line VIII-VIII of FIG. 6.

1 Claim, 7 Drawing Sheets



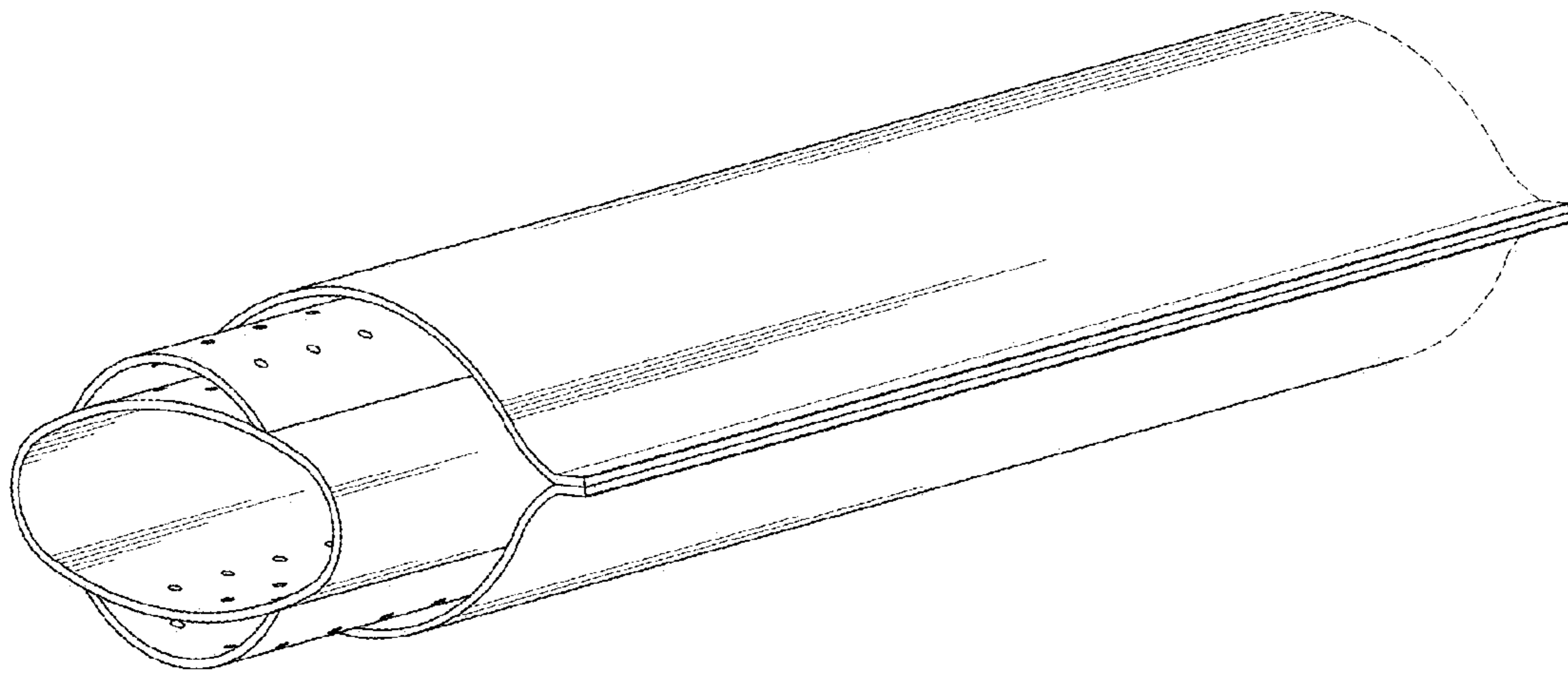


FIG. 1

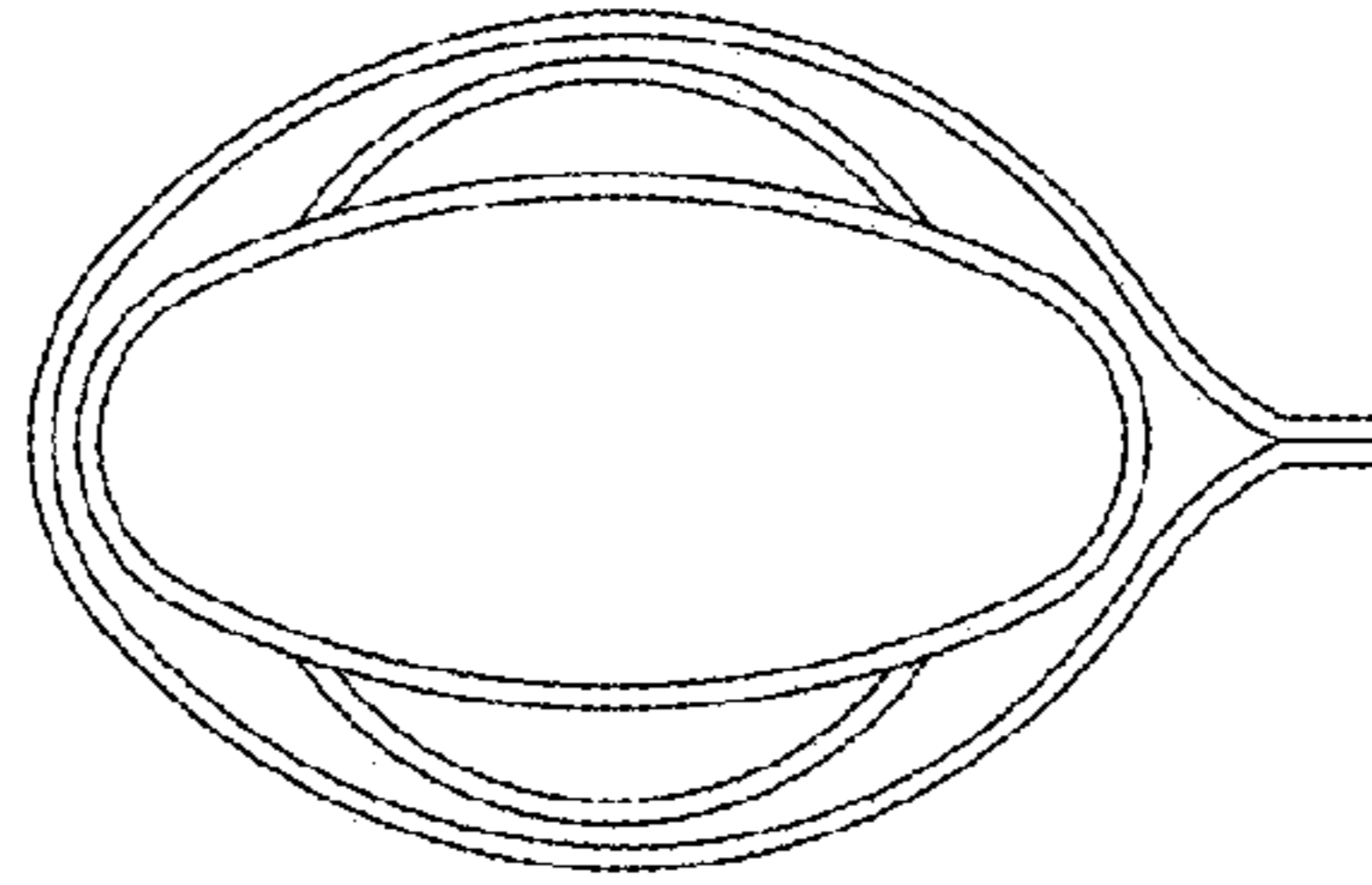


FIG. 2

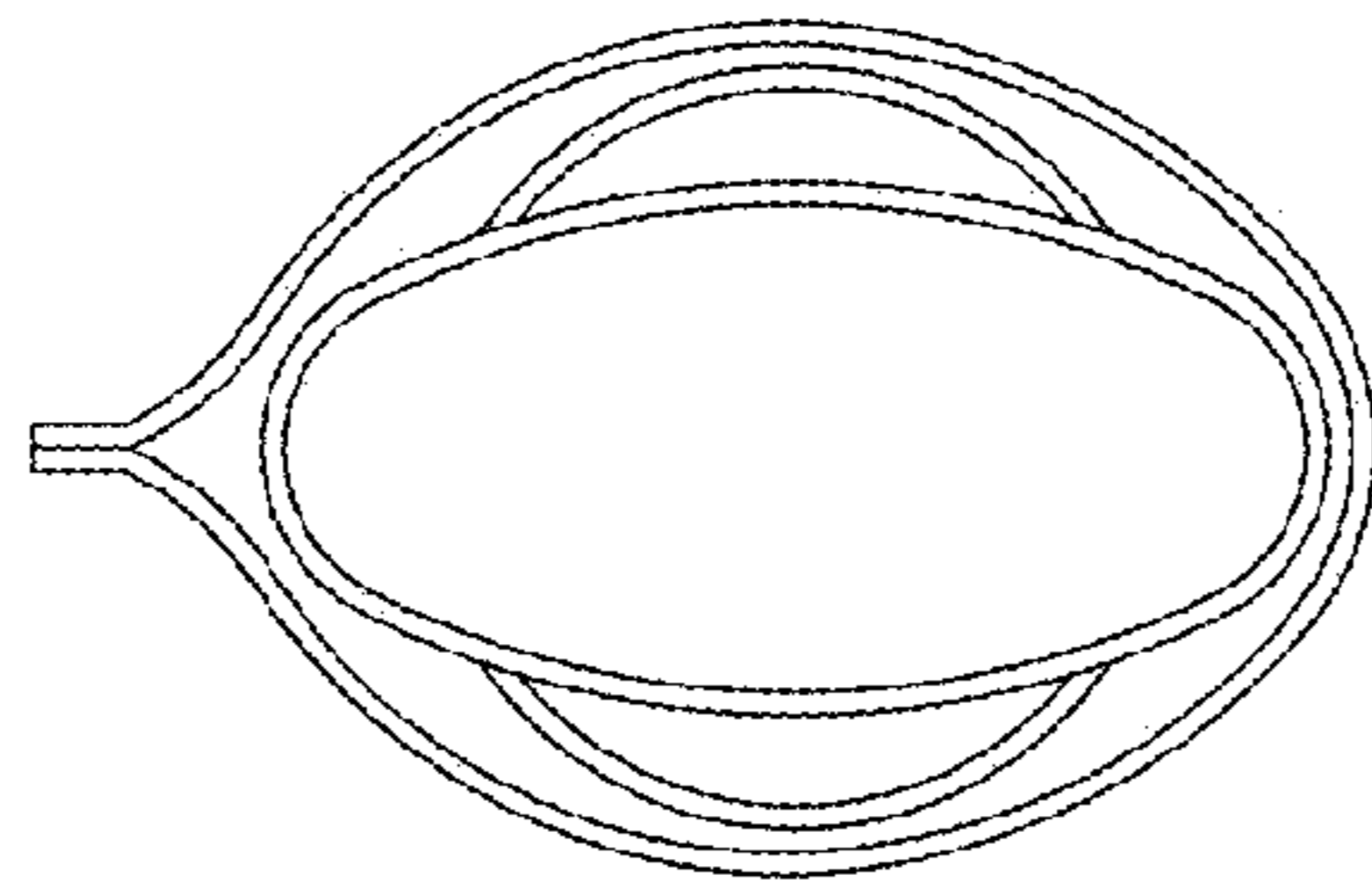


FIG. 3

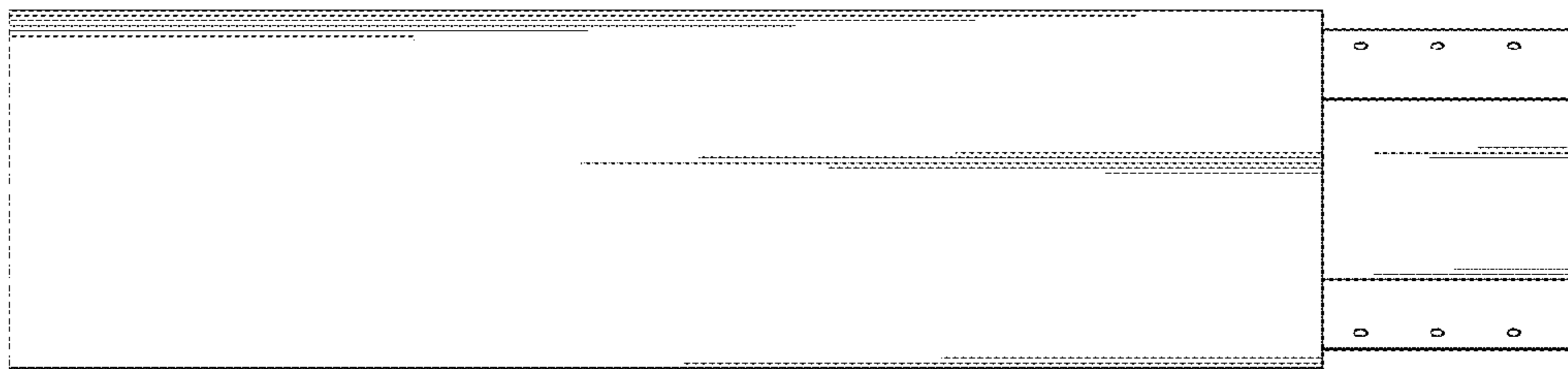


FIG. 4

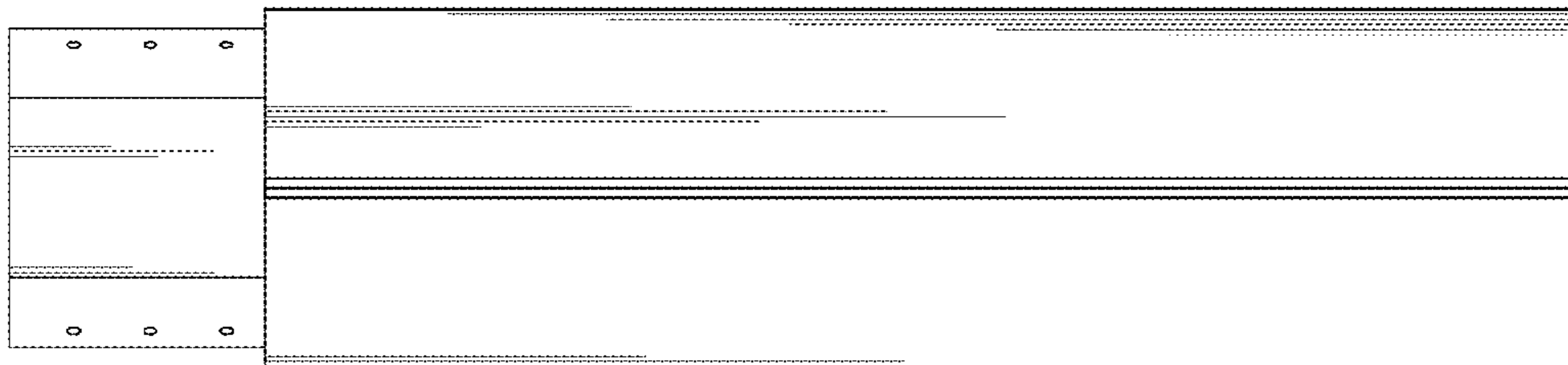


FIG. 5

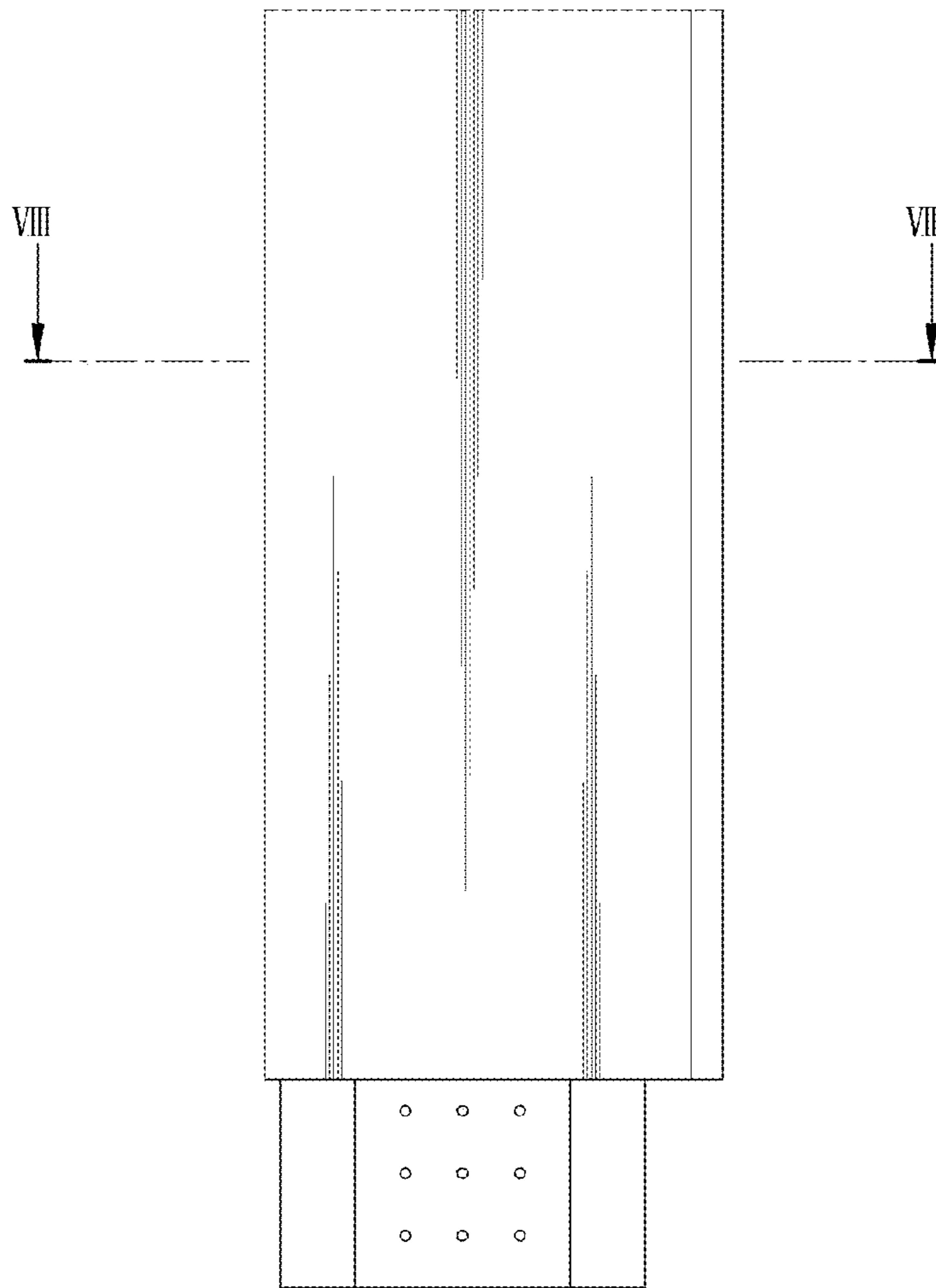


FIG. 6

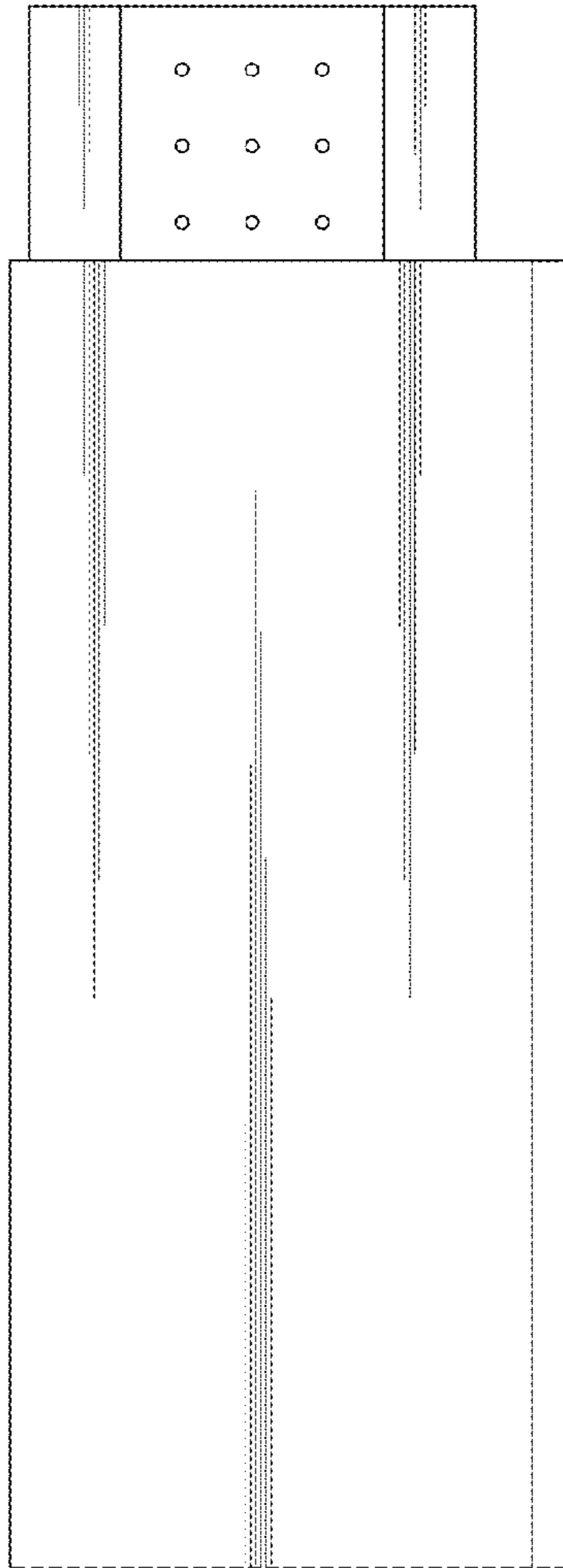


FIG. 7

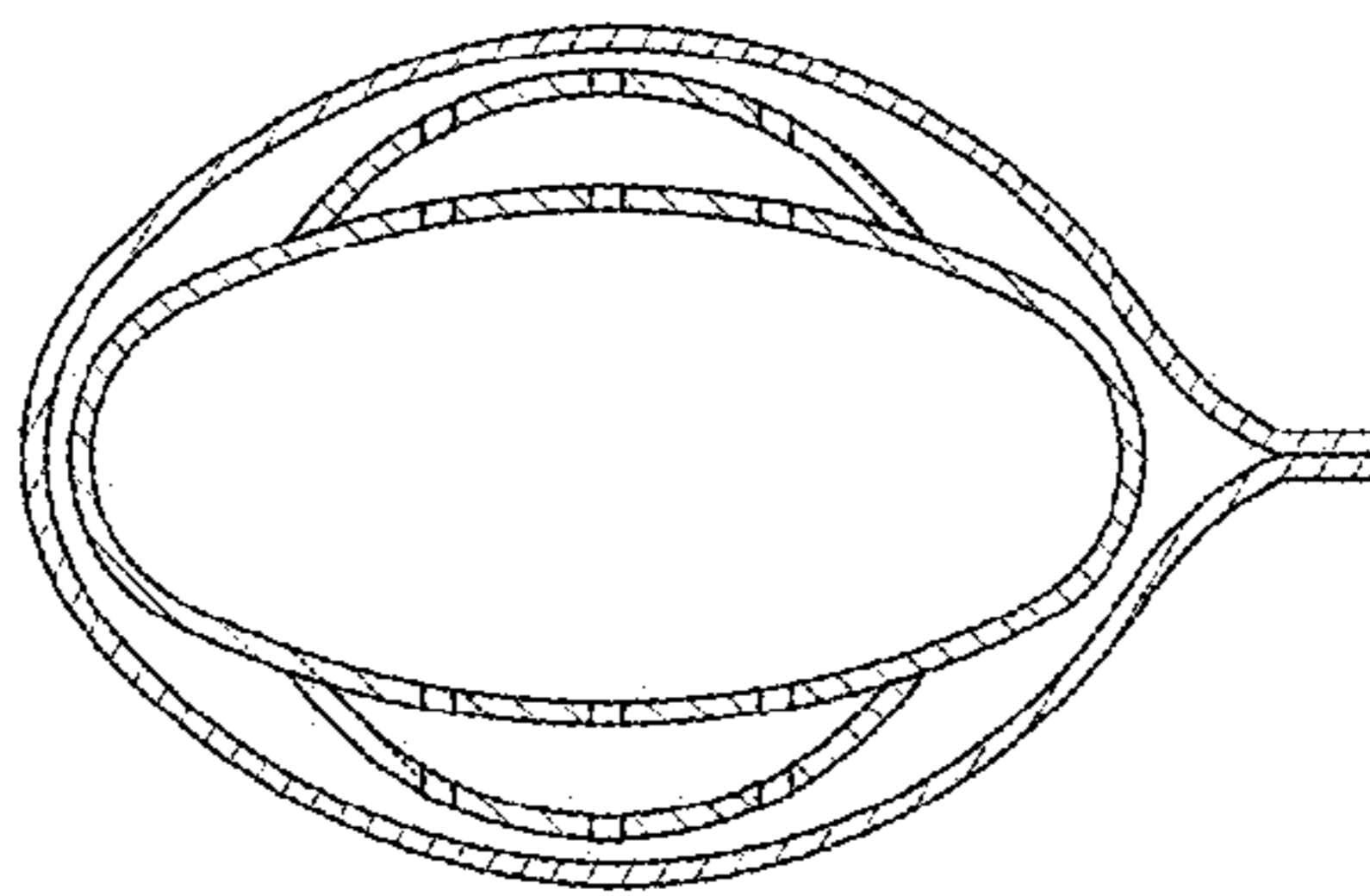


FIG. 8