



US00D753266S

(12) **United States Design Patent**  
**Norton**

(10) **Patent No.:** **US D753,266 S**  
(45) **Date of Patent:** **\*\* Apr. 5, 2016**

(54) **SHOWER HEAD**

(56) **References Cited**

(71) Applicant: **BRASSCRAFT MANUFACTURING COMPANY**, Novi, MI (US)

U.S. PATENT DOCUMENTS

D499,792 S \* 12/2004 Blomstrom ..... D23/213

(72) Inventor: **Brie A. Norton**, Commerce Township, MI (US)

\* cited by examiner

*Primary Examiner* — Robin V Webster

(73) Assignee: **BrassCraft Manufacturing Company**, Novi, MI (US)

(74) *Attorney, Agent, or Firm* — Kirk W. Rudolph

(\*\*) Term: **14 Years**

(57) **CLAIM**

The ornamental design for a shower head, as shown and described.

(21) Appl. No.: **29/515,925**

**DESCRIPTION**

(22) Filed: **Jan. 28, 2015**

FIG. 1 is a perspective view of a shower head showing our design;

(51) **LOC (10) Cl.** ..... **23-01**

FIG. 2 is a top view thereof;

(52) **U.S. Cl.**

FIG. 3 is a bottom view thereof;

USPC ..... **D23/229**

FIG. 4 is a side view thereof;

(58) **Field of Classification Search**

FIG. 5 is a side view thereof;

USPC ..... D23/213, 229, 230, 201; 239/282, 283,  
239/211, 587.1-587.5, 566; 4/615

FIG. 6 is a rear view thereof; and,

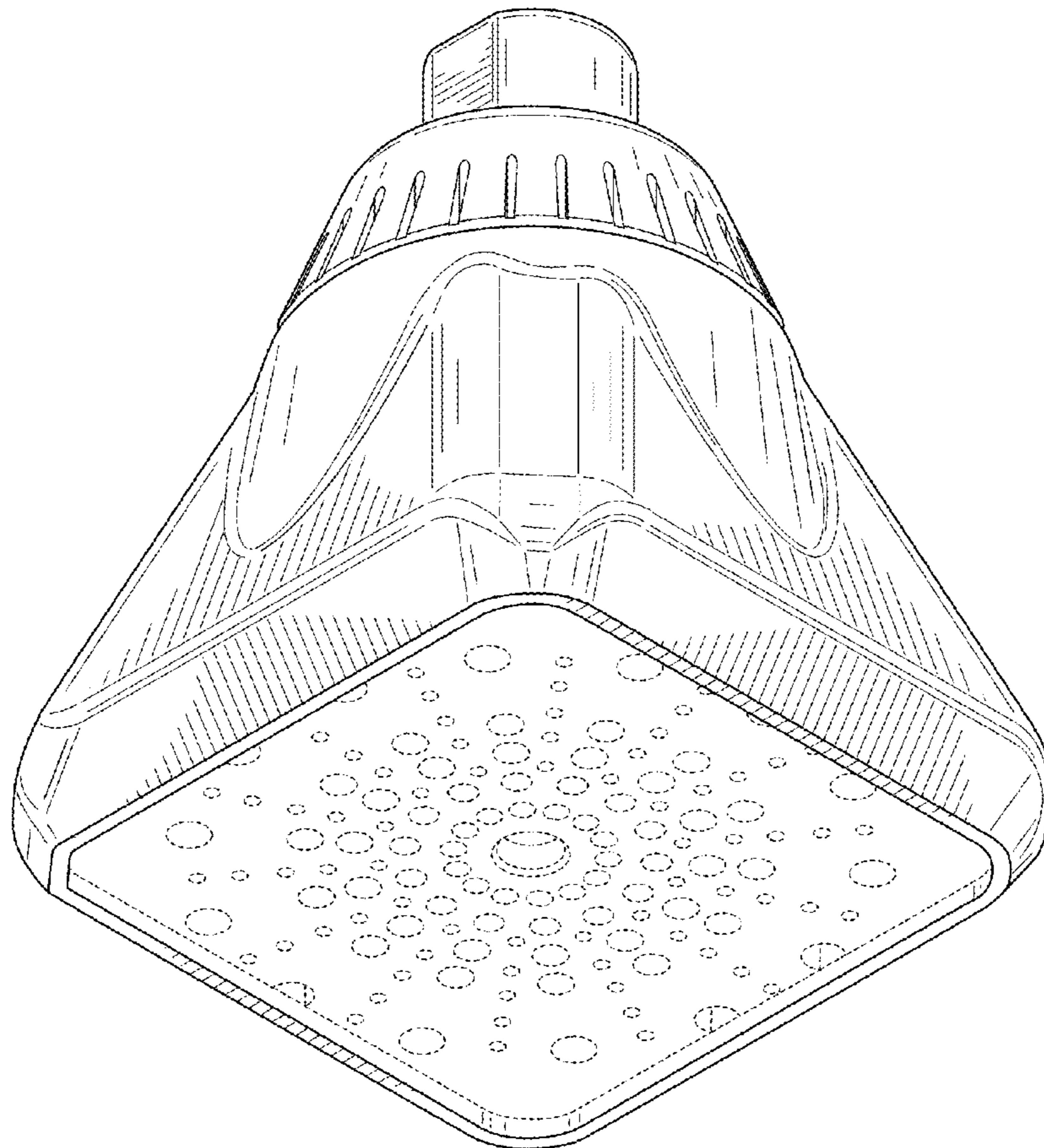
CPC ..... B05B 1/18; B05B 1/00; B05B 15/08;  
B05B 3/00

FIG. 7 is a front view thereof.

The broken lines in the drawings represent unclaimed portions of the shower head and form no portion thereof.

See application file for complete search history.

**1 Claim, 6 Drawing Sheets**



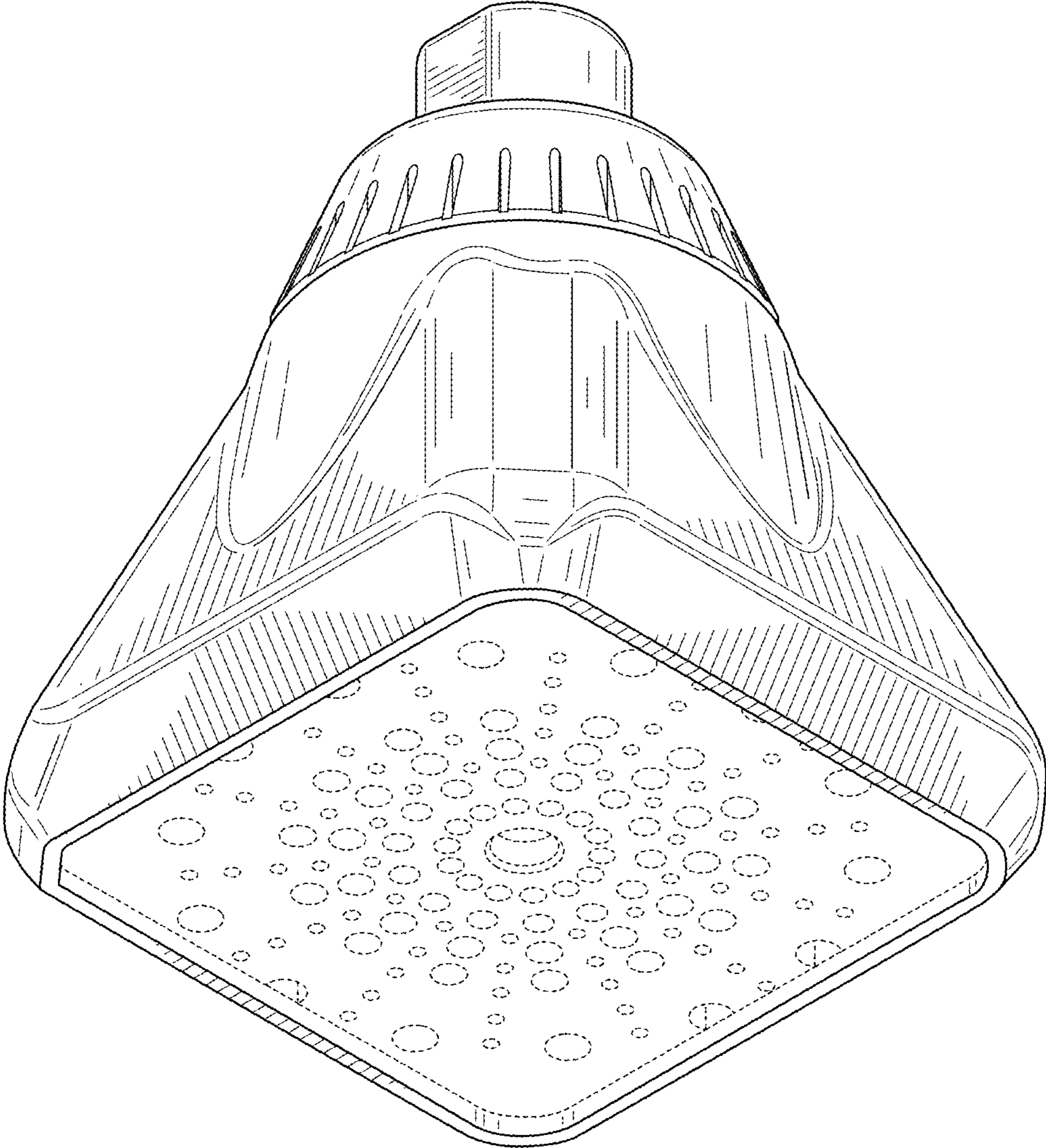


FIG. 1

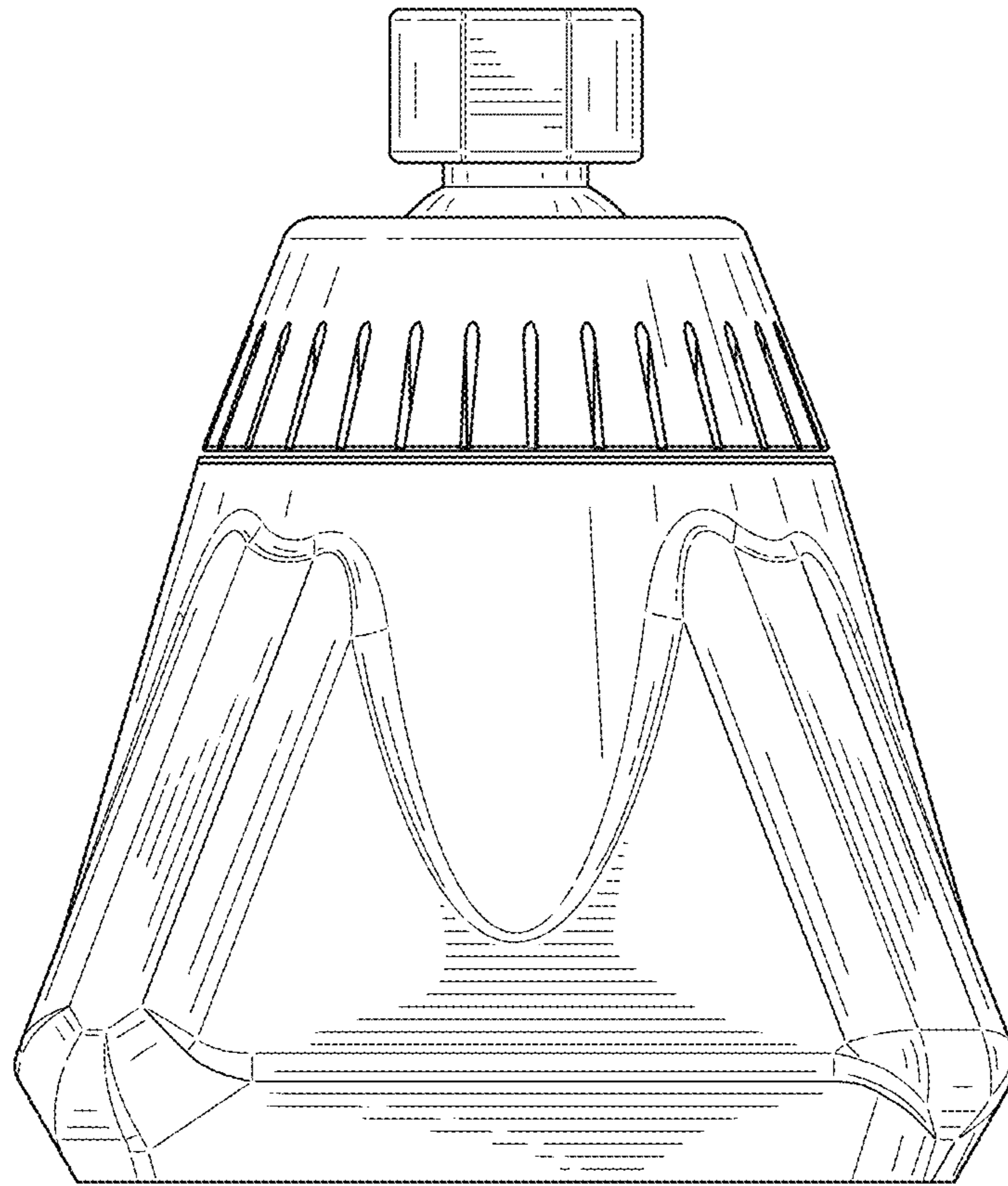
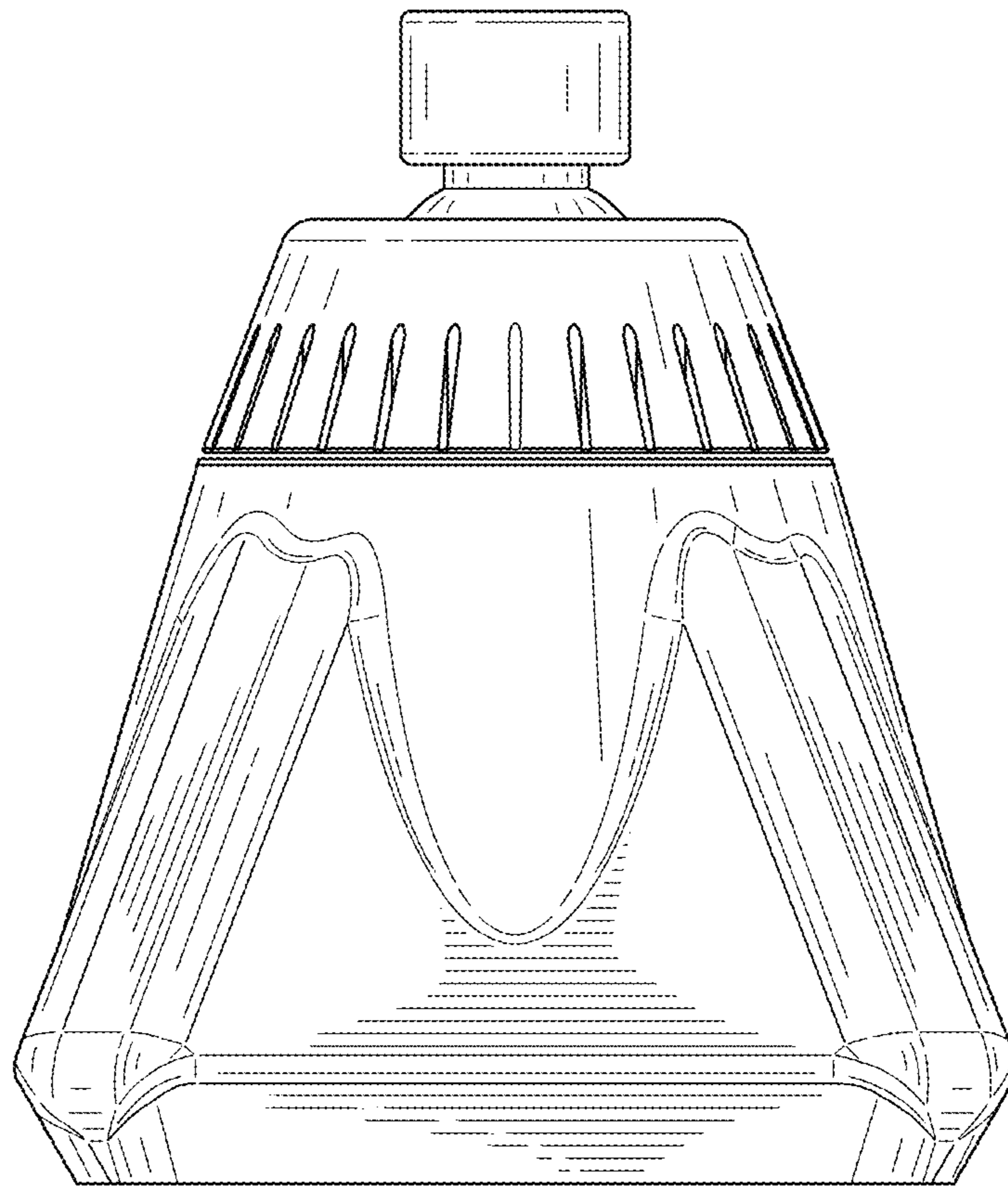
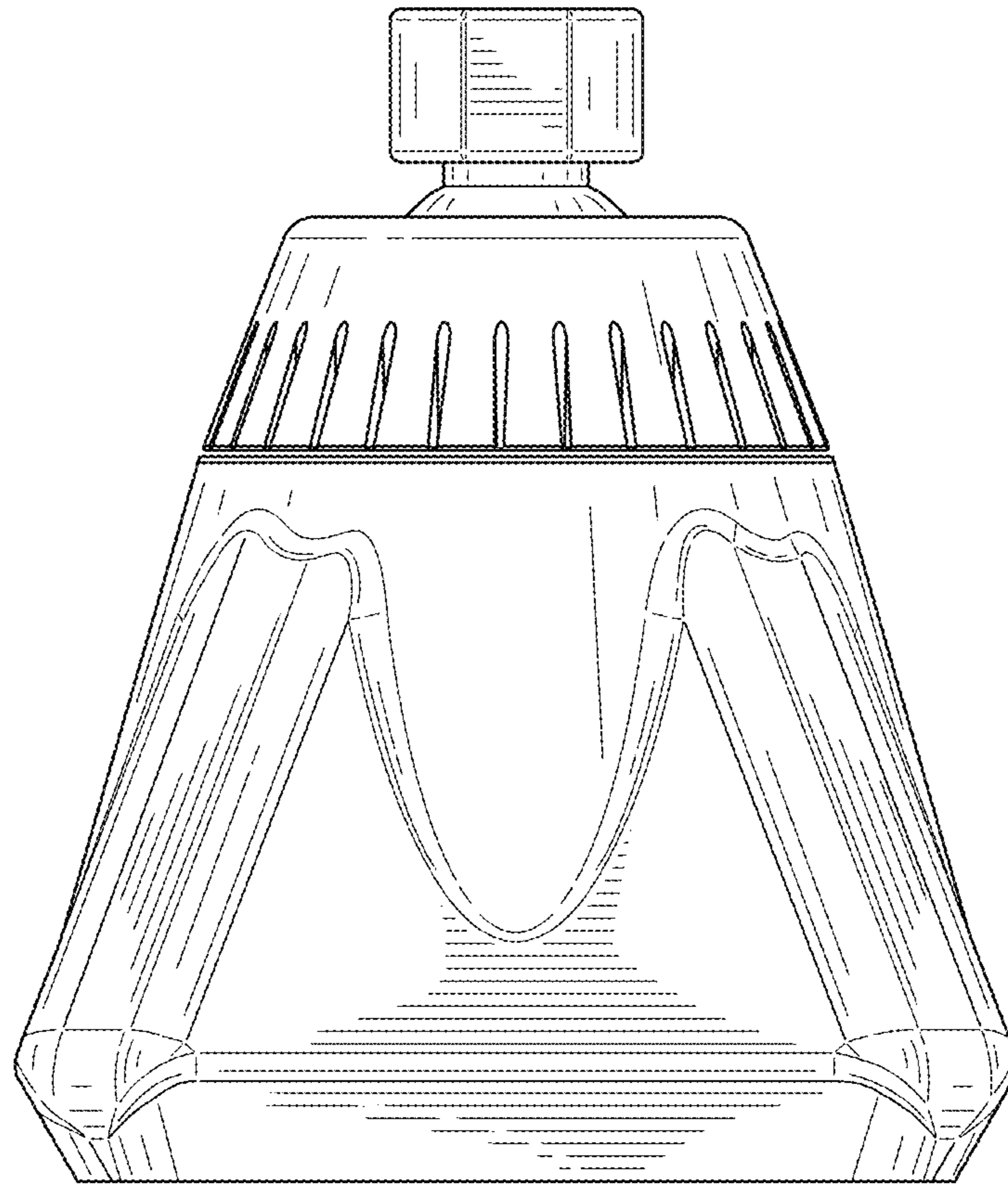


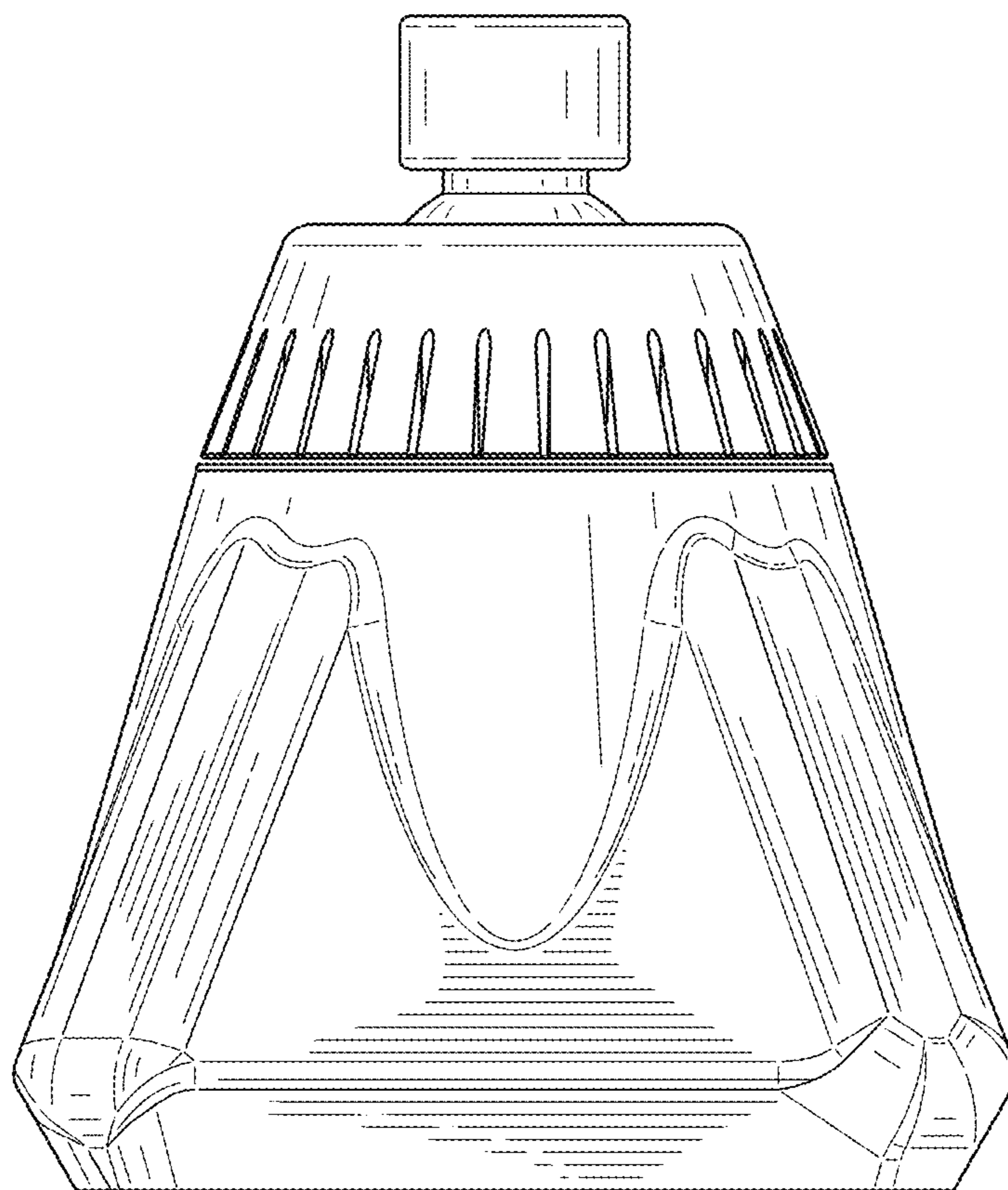
FIG. 2



**FIG. 3**



**FIG. 4**



**FIG. 5**

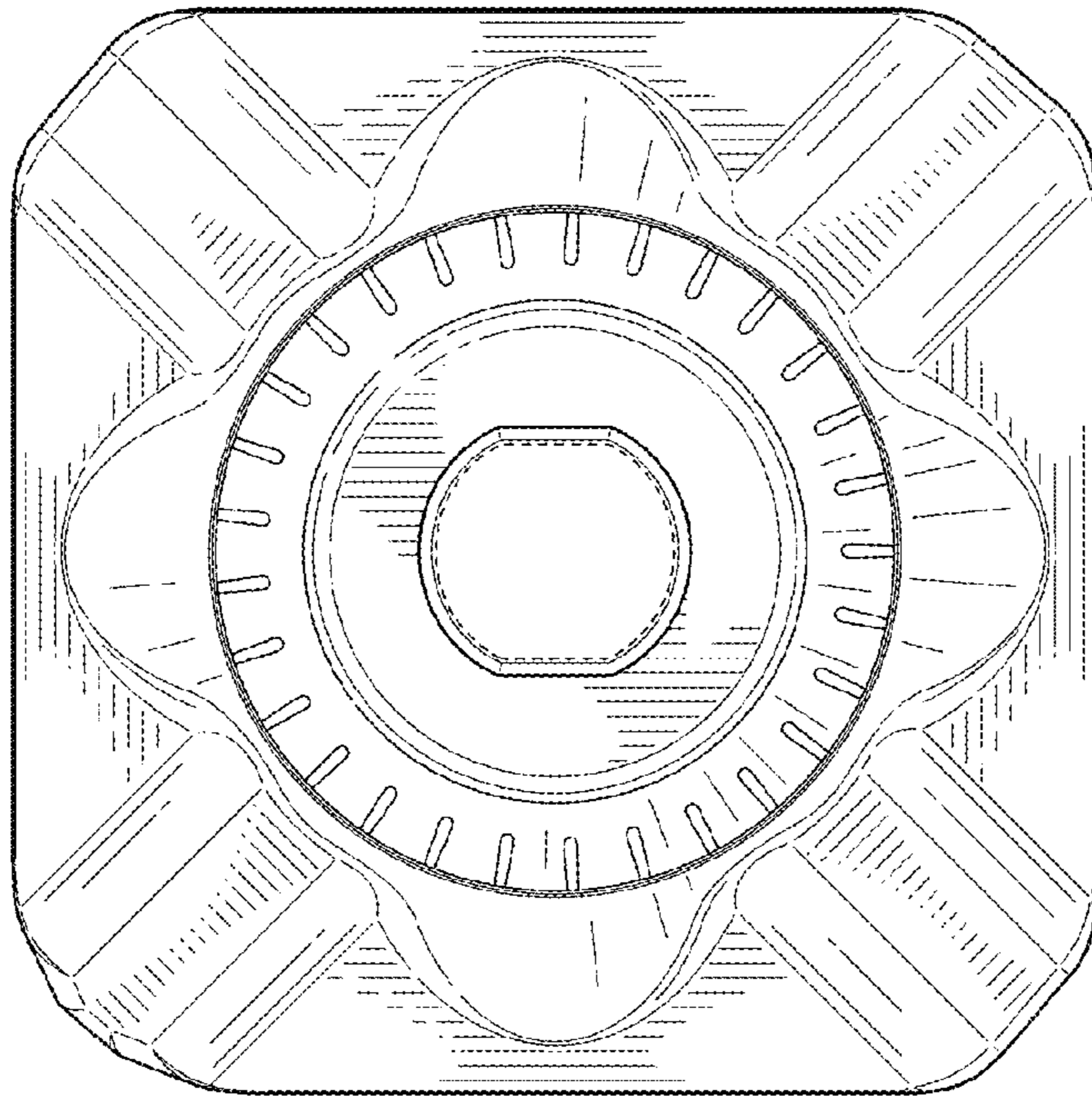


FIG. 6

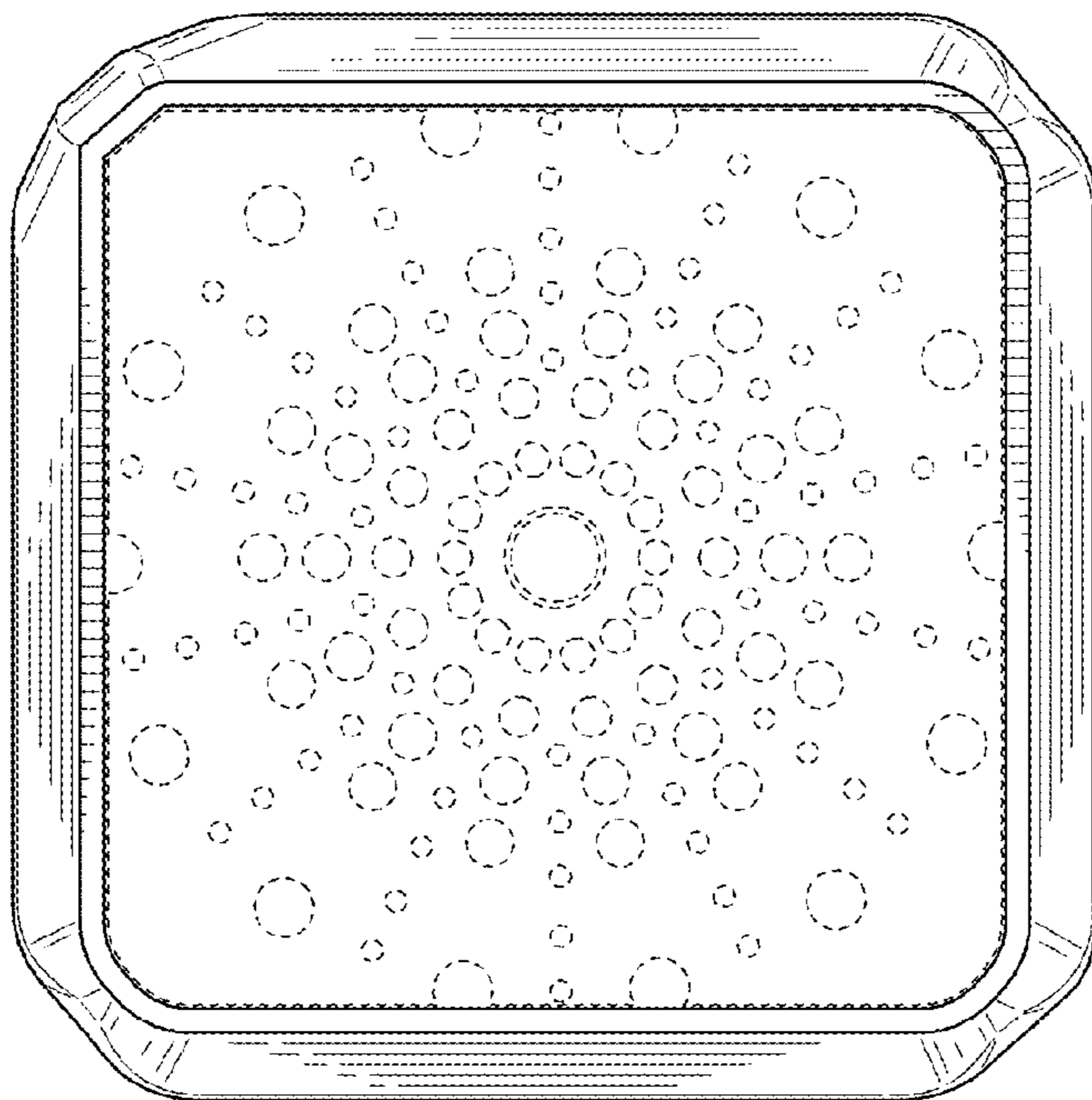


FIG. 7