



US00D753263S

(12) **United States Design Patent**
Del Ponte et al.

(10) **Patent No.:** **US D753,263 S**
(45) **Date of Patent:** **** Apr. 5, 2016**

(54) **WATER FILTER ASSEMBLY**

(71) Applicant: **Soma Water, Inc.**, San Francisco, CA (US)

(72) Inventors: **Michael Robert Del Ponte**, San Francisco, CA (US); **Markus Peter Diebel**, San Francisco, CA (US); **Joe Sung-Ho Tan**, San Francisco, CA (US)

(73) Assignee: **Soma Water, Inc.**, San Francisco, CA (US)

(**) Term: **14 Years**

(21) Appl. No.: **29/517,628**

(22) Filed: **Feb. 13, 2015**

Related U.S. Application Data

(62) Division of application No. 29/469,402, filed on Oct. 9, 2013, now Pat. No. Des. 722,675.

(51) **LOC (10) Cl.** **23-01**

(52) **U.S. Cl.**
USPC **D23/209**

(58) **Field of Classification Search**
USPC D23/207, 209, 200; 210/232, 282, 651, 210/435, 446, 451, 455
CPC C02F 2307/02; C02F 1/0027
See application file for complete search history.

(56) **References Cited**

U.S. PATENT DOCUMENTS

D282,432 S *	2/1986	Gurka	D23/200
5,899,246 A *	5/1999	Cummins	B67C 11/02 141/297
D426,283 S *	6/2000	Hernandez, Jr.	D23/200
6,083,392 A *	7/2000	Rigney	A47J 37/1271 210/451
D697,170 S *	1/2014	Bradford	D23/209
D697,171 S *	1/2014	Bradford	D23/209
D711,504 S *	8/2014	Jackson	D23/209
D722,675 S *	2/2015	Del Ponte	D23/209

* cited by examiner

Primary Examiner — Robin V Webster

(74) *Attorney, Agent, or Firm* — Perkins Coie LLP

(57) **CLAIM**

The ornamental design for a water filter assembly, as shown and described.

DESCRIPTION

FIG. 1 is a front isometric view of an embodiment of a water filter assembly showing our new design.

FIG. 2 is a front elevation view thereof.

FIG. 3 is a back elevation view thereof.

FIG. 4 is a left side elevation view thereof.

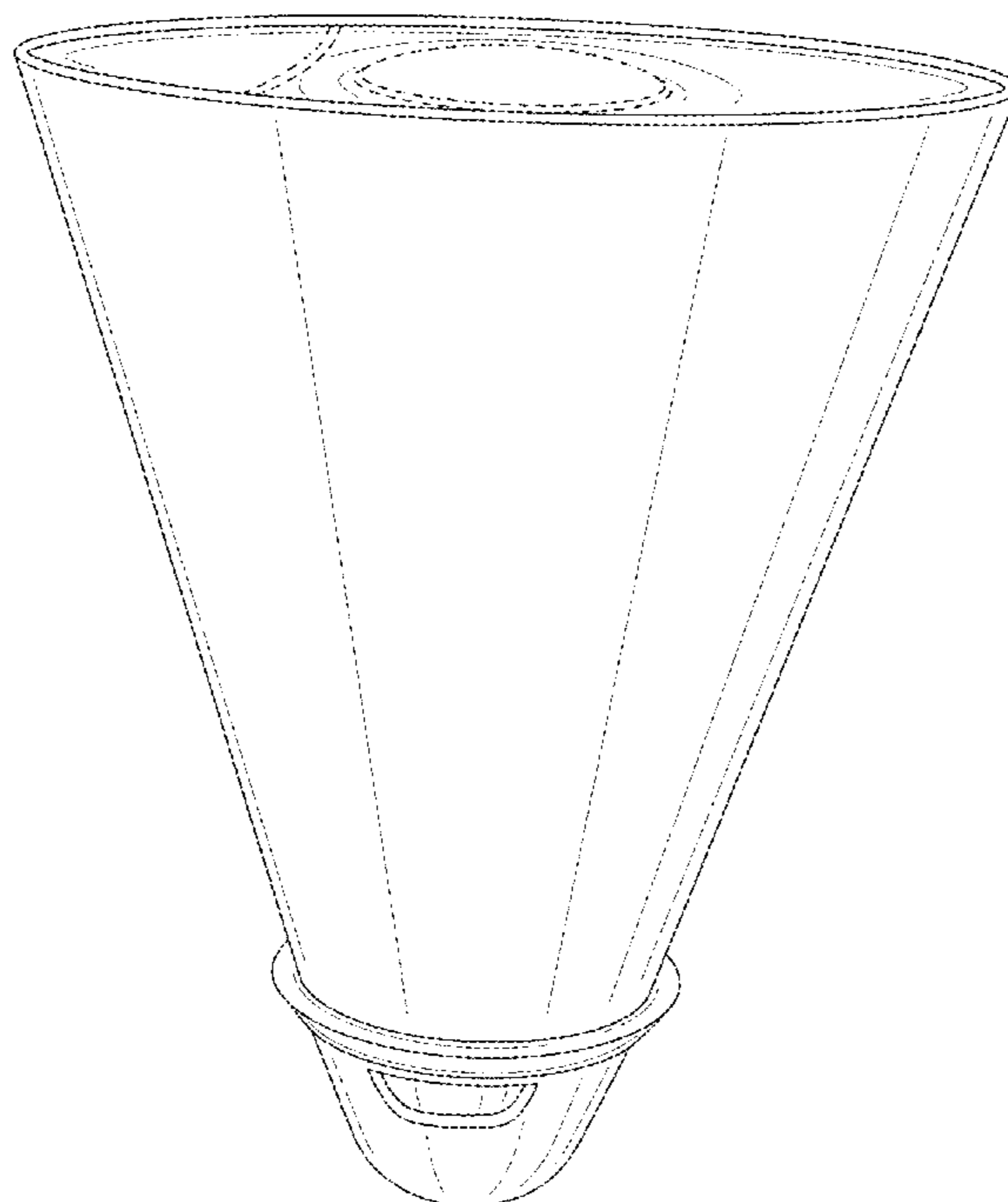
FIG. 5 is a right side elevation view thereof.

FIG. 6 is a top plan view thereof; and,

FIG. 7 is a bottom plan view thereof.

Any broken lines in the Figures are for illustrative purposes only and form no part of the claimed design.

1 Claim, 7 Drawing Sheets



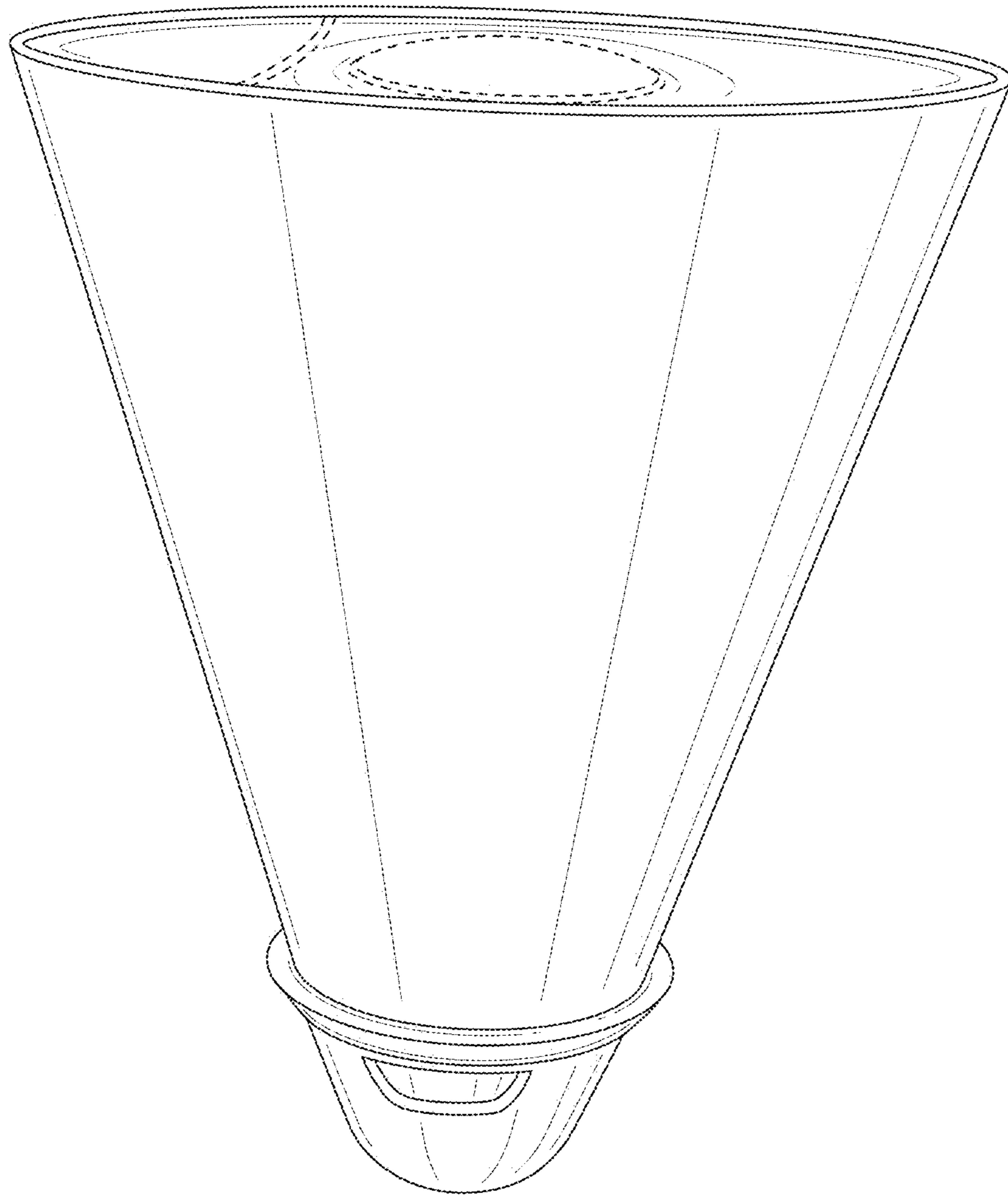


Fig. 1

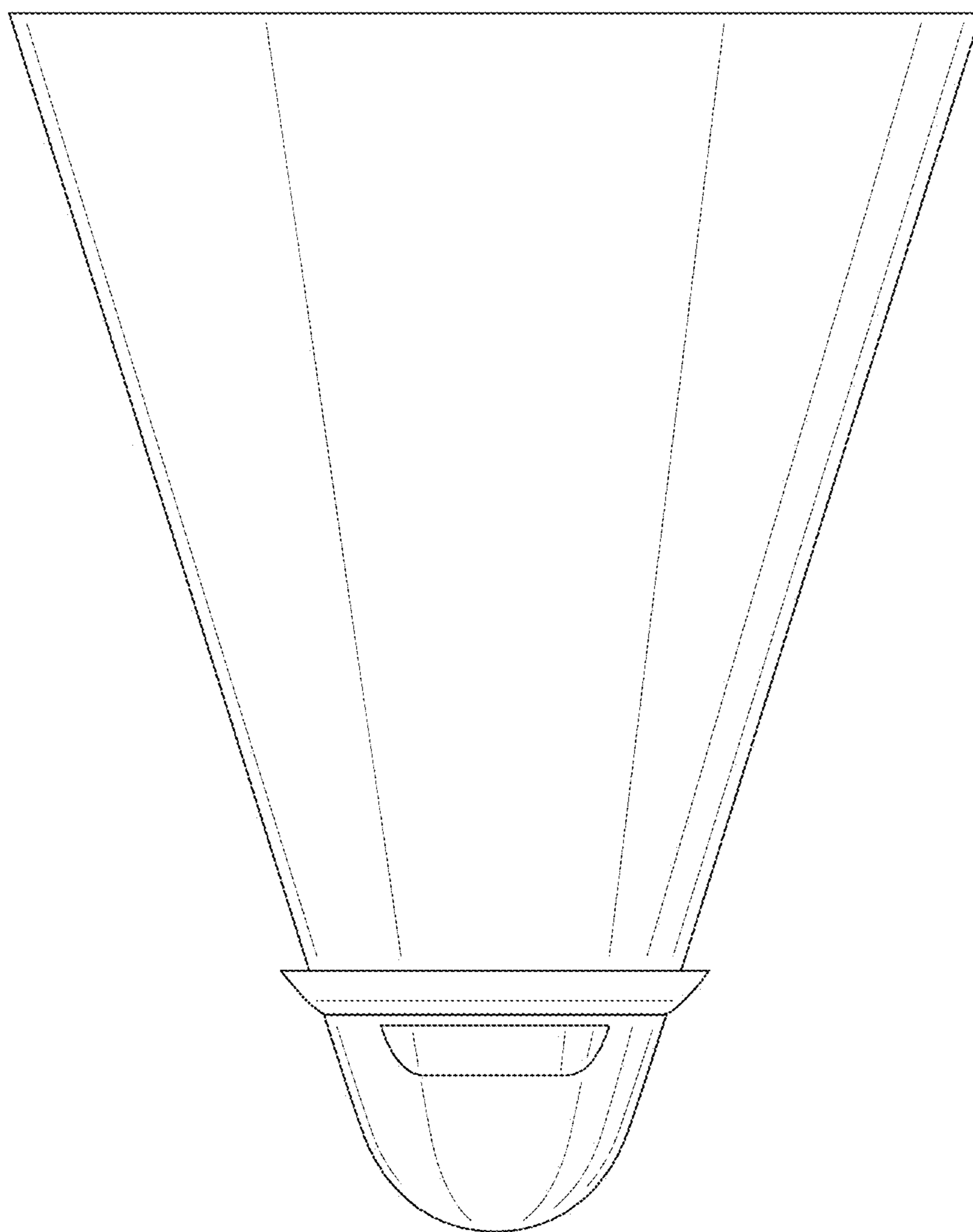


Fig. 2

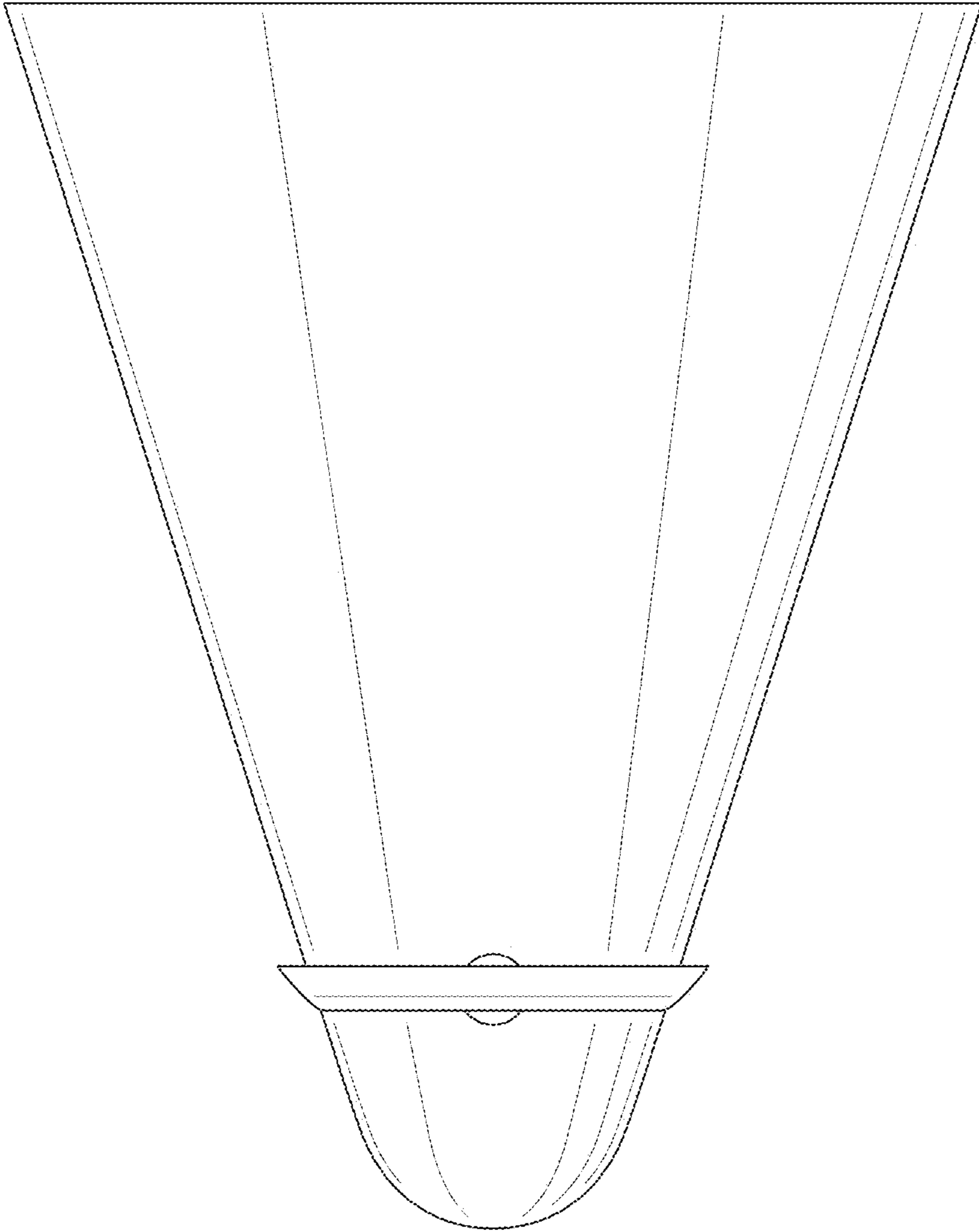


Fig. 3

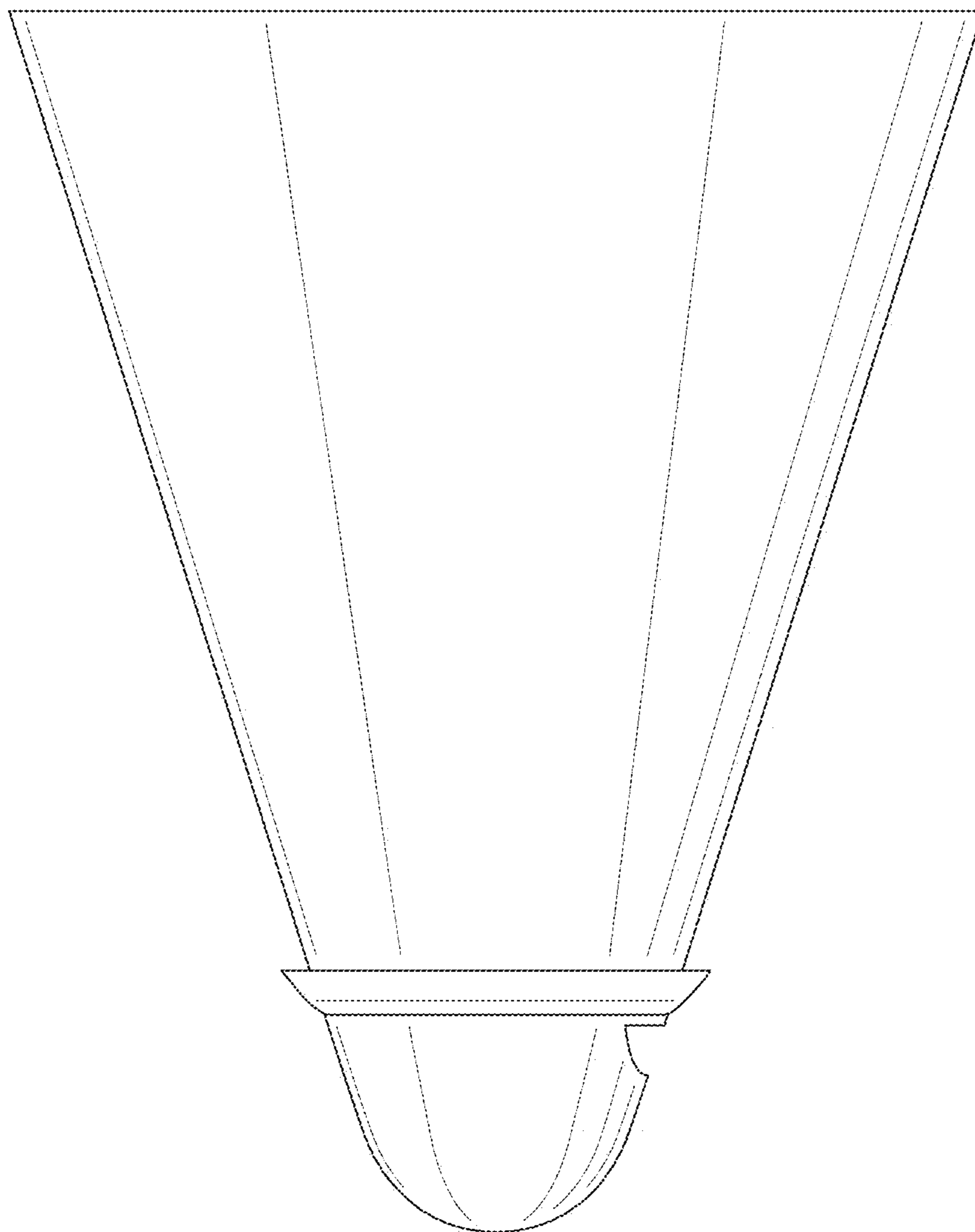


Fig. 4

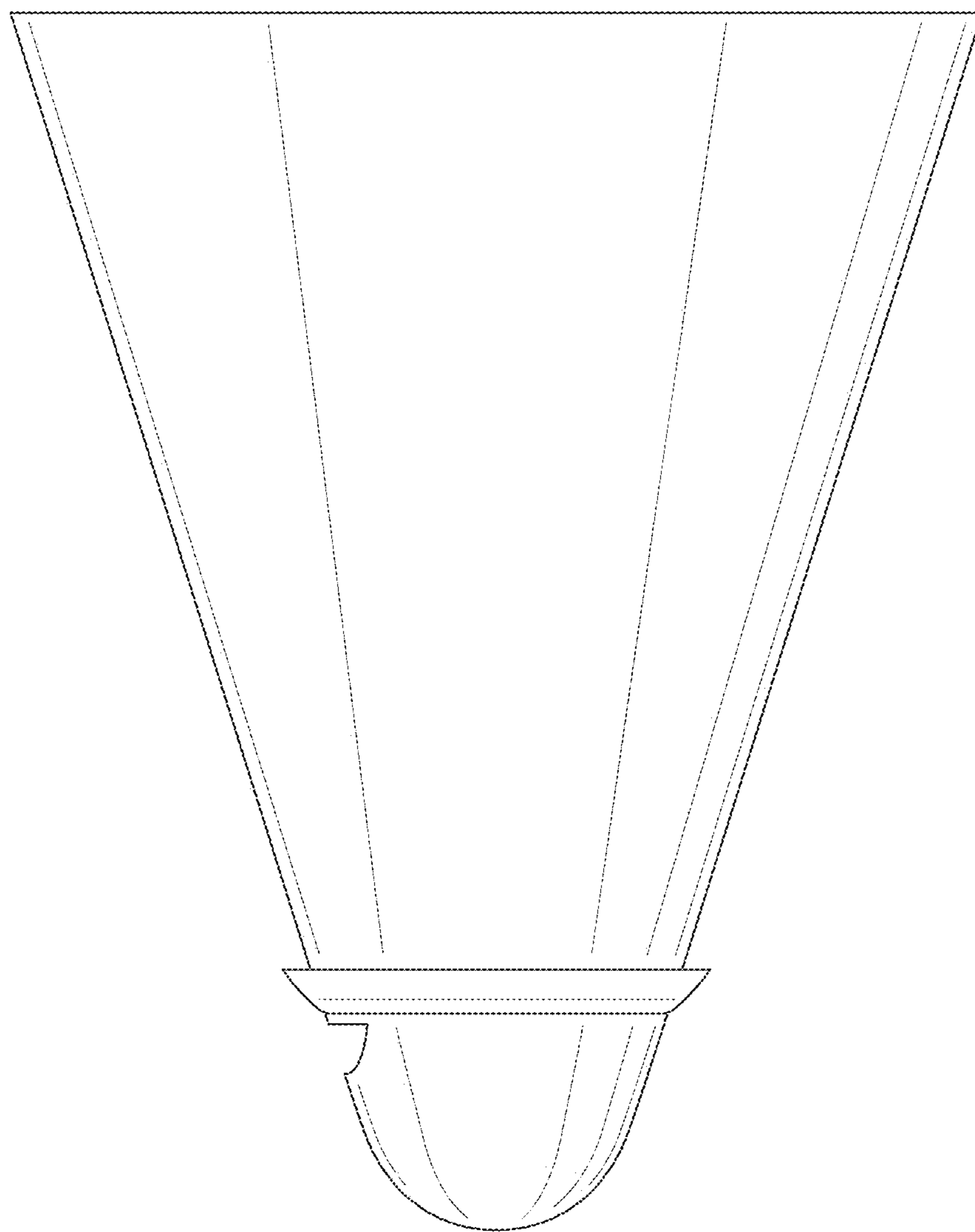


Fig. 5

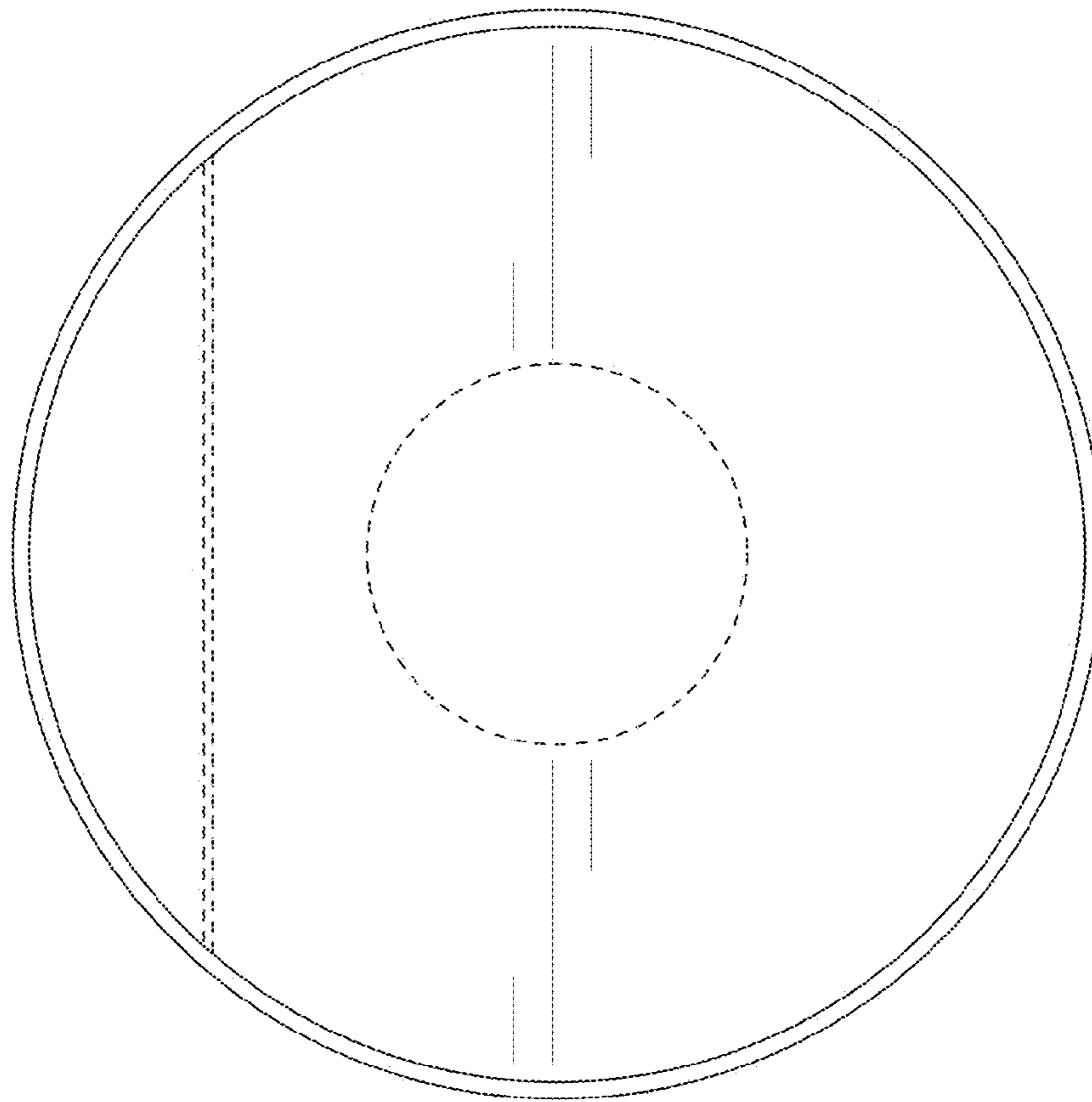


Fig. 6

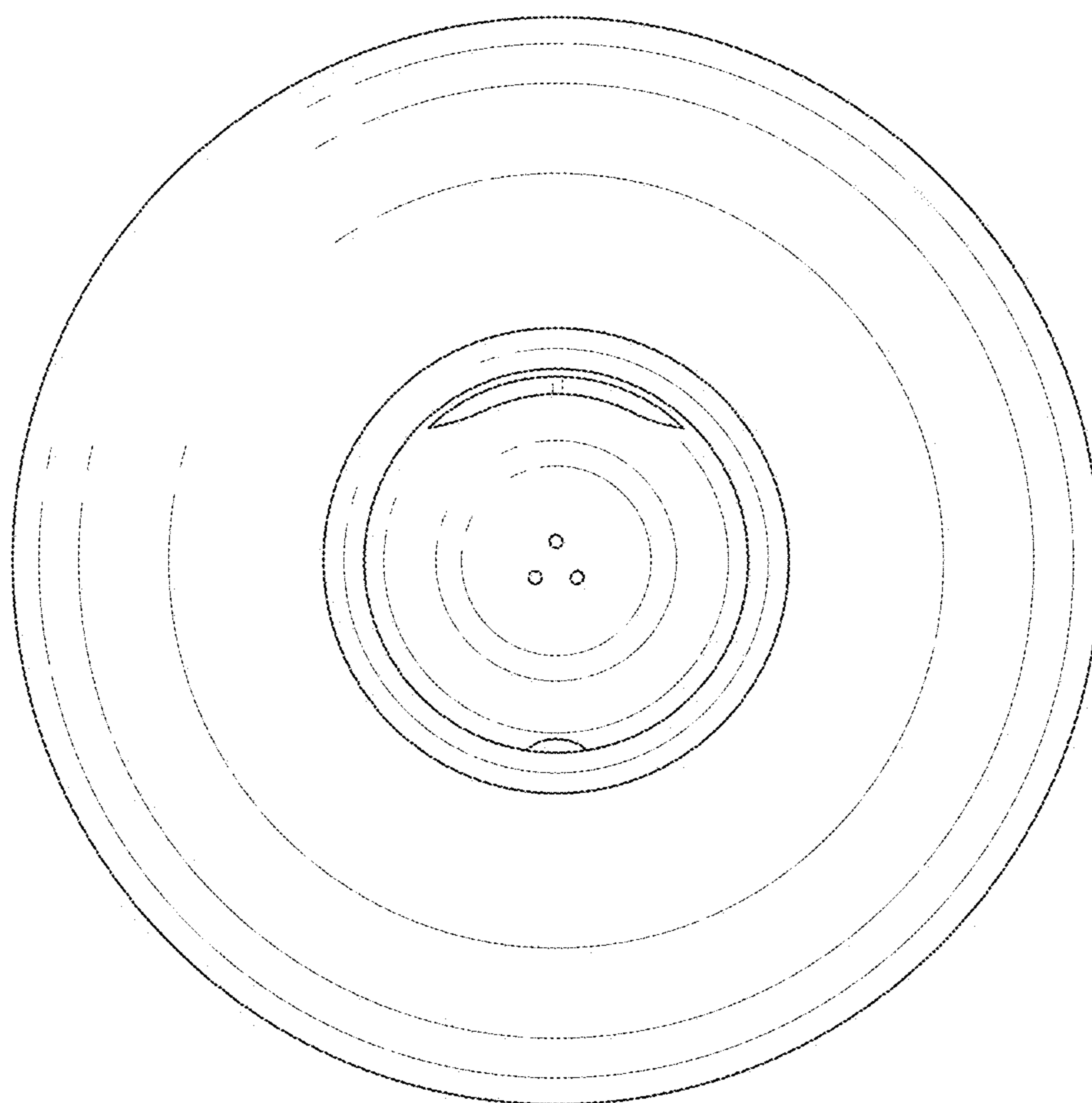


Fig. 7