

US00D753261S

(12) **United States Design Patent**  
**Griffin et al.**

(10) **Patent No.:** **US D753,261 S**

(45) **Date of Patent:** **\*\* Apr. 5, 2016**

(54) **SELF DEFENSE HOLSTER**

(71) Applicants: **William Michael Griffin**, St Petersburg,  
FL (US); **Andrew A. Kroll**, West Palm  
Beach, FL (US)

(72) Inventors: **William Michael Griffin**, St Petersburg,  
FL (US); **Andrew A. Kroll**, West Palm  
Beach, FL (US)

(\*\*) Term: **14 Years**

(21) Appl. No.: **29/512,340**

(22) Filed: **Dec. 18, 2014**

(51) **LOC (10) Cl.** ..... **22-02**

(52) **U.S. Cl.**  
USPC ..... **D22/117**

(58) **Field of Classification Search**  
USPC ..... D22/117; 42/1.08, 1.09; 463/47.2  
CPC ..... F41B 15/00; F41H 9/10  
See application file for complete search history.

(56) **References Cited**

U.S. PATENT DOCUMENTS

3,084,466 A *	4/1963	Duncan, III .....	F41J 9/10 42/1.08
D277,596 S *	2/1985	Nishiuchi .....	D22/117
5,728,003 A *	3/1998	Hustad .....	F41B 15/00 463/47.2
D479,737 S *	9/2003	Teeters .....	D22/117
D619,196 S *	7/2010	Cardwell, III .....	D22/117
D723,131 S *	2/2015	Habermann .....	D22/117

\* cited by examiner

*Primary Examiner* — Catheri Oliver-Garcia

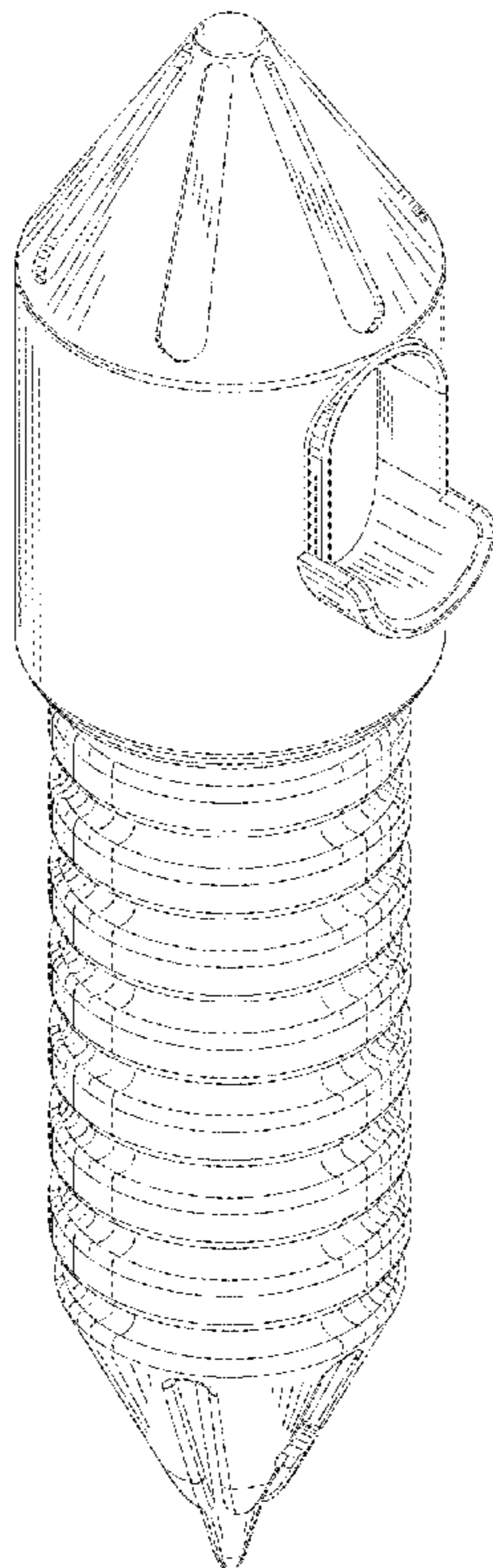
(57) **CLAIM**

The ornamental design for a self defense holster, as shown and described.

**DESCRIPTION**

FIG. 1 is a top left perspective view of the self defense holster showing our new design;  
FIG. 2 is a bottom right perspective view thereof;  
FIG. 3 is a front elevational view thereof;  
FIG. 4 is a rear elevational view thereof;  
FIG. 5 is a left side elevational view thereof;  
FIG. 6 is a right side elevational view thereof;  
FIG. 7 is a top plan view thereof; and,  
FIG. 8 is a bottom plan view thereof.

**1 Claim, 8 Drawing Sheets**



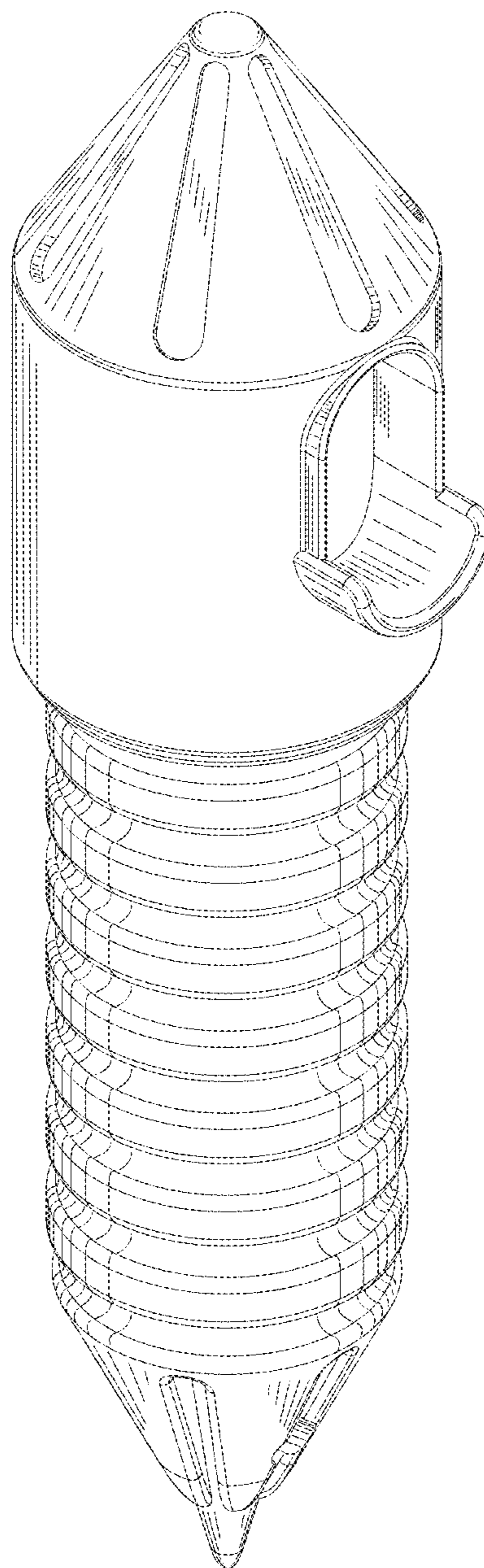


FIG. 1

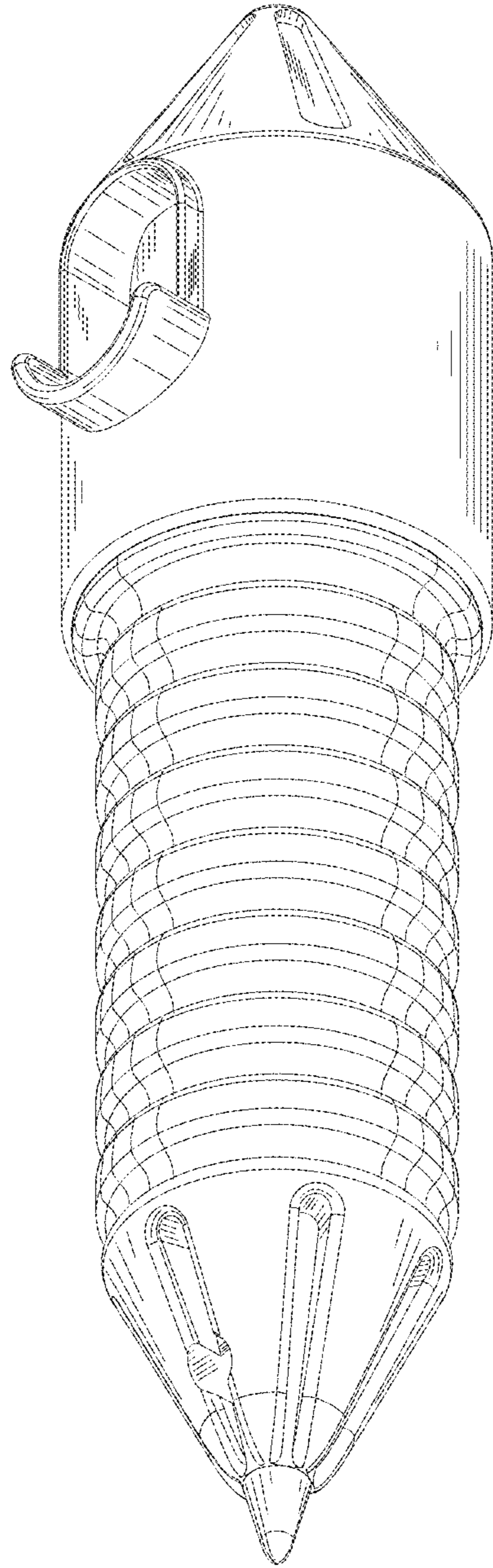


FIG. 2

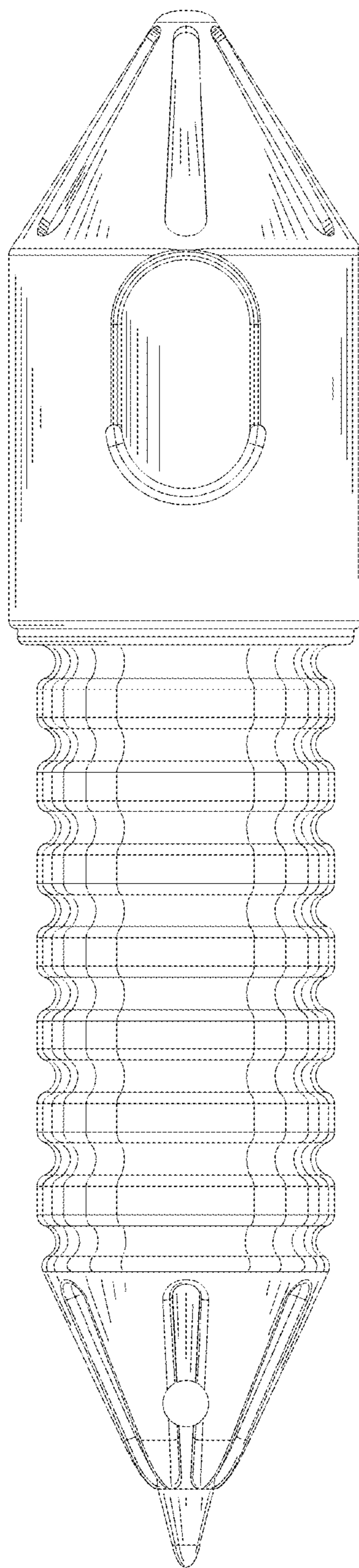


FIG. 3

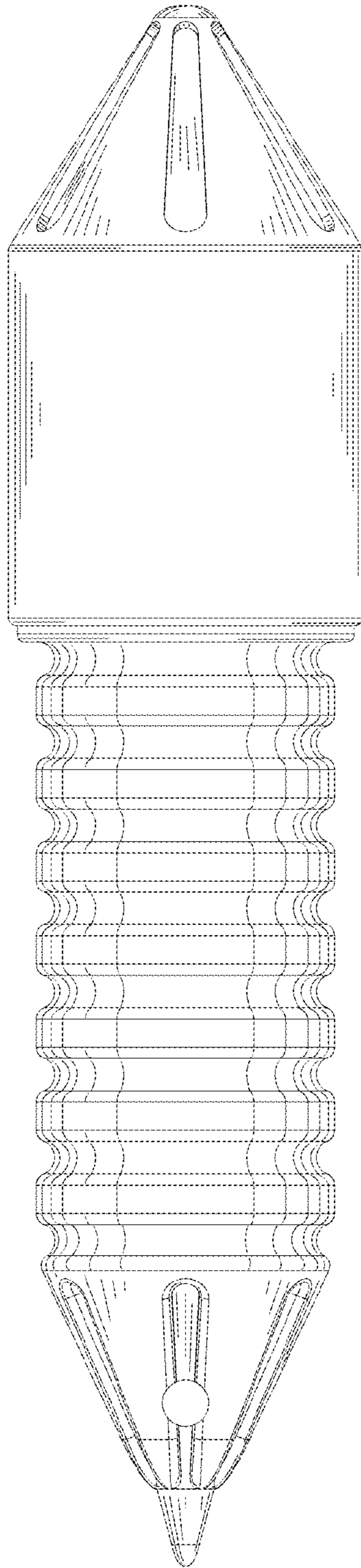


FIG. 4

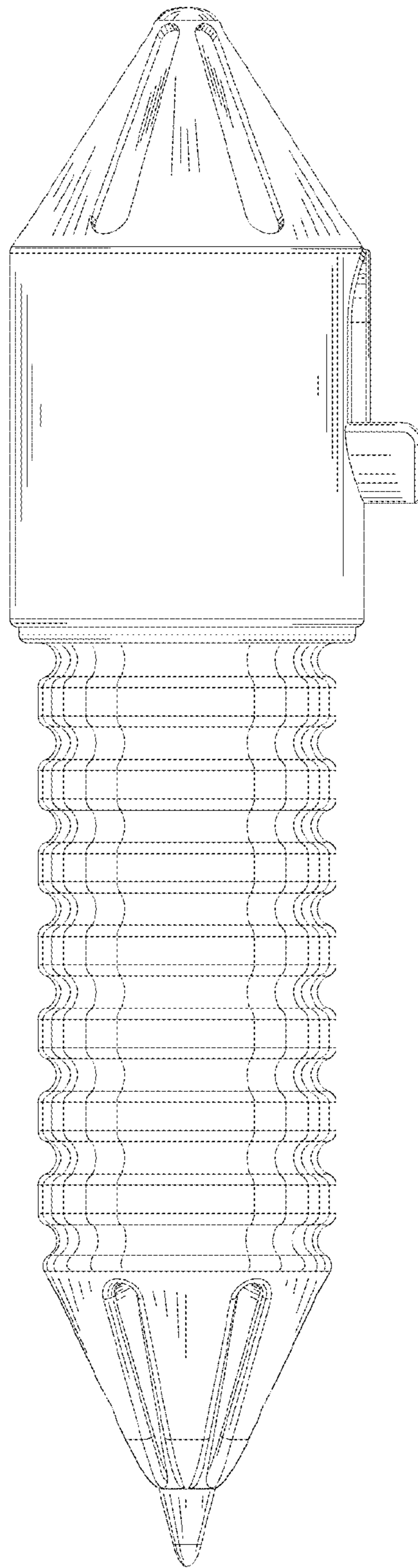


FIG. 5

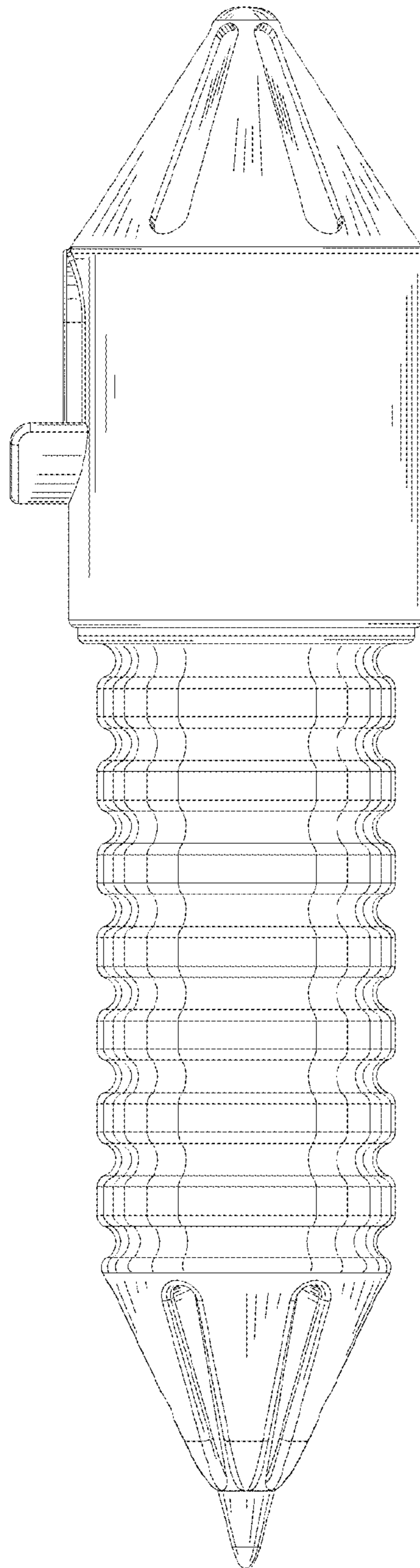


FIG. 6

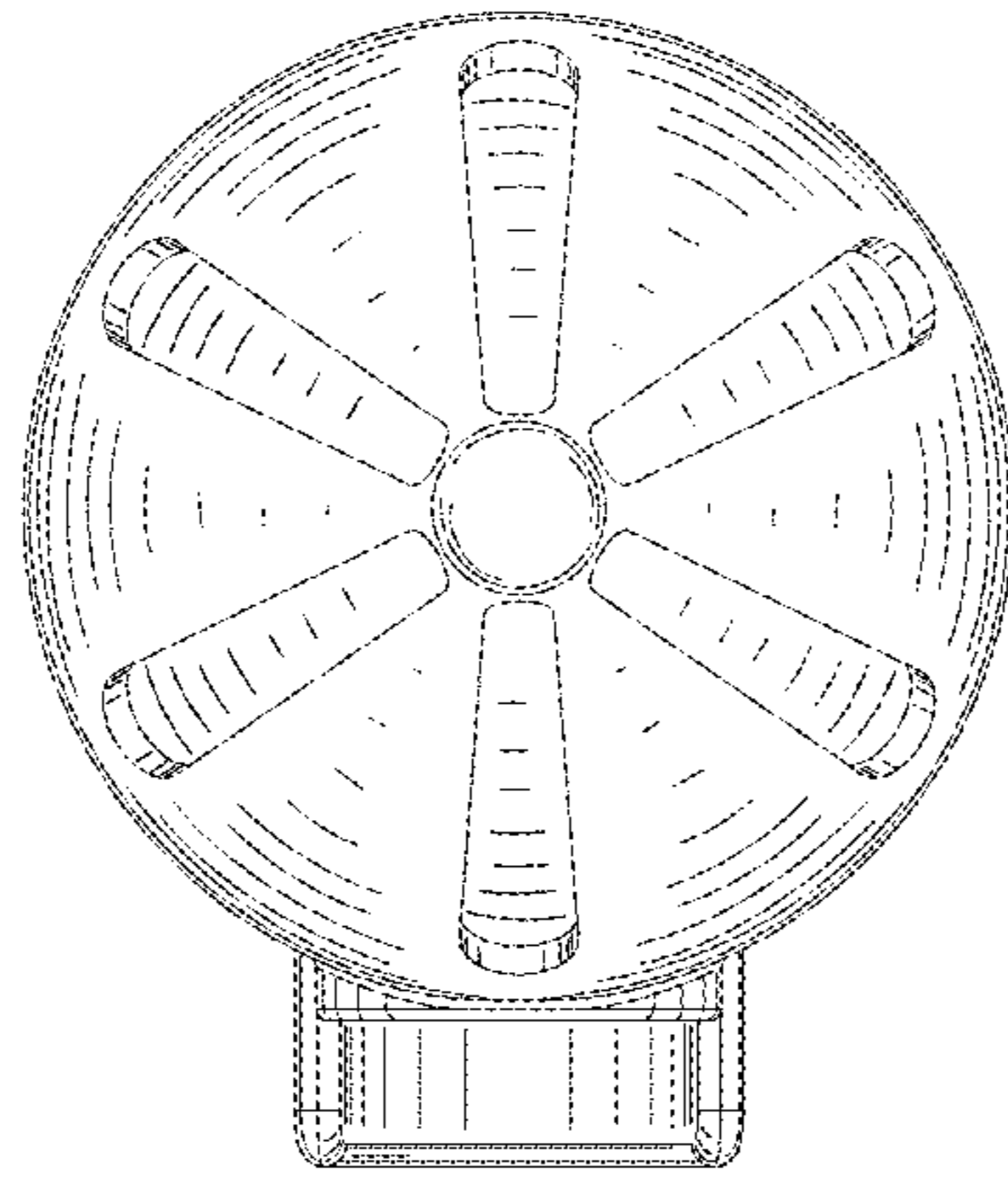


FIG. 7



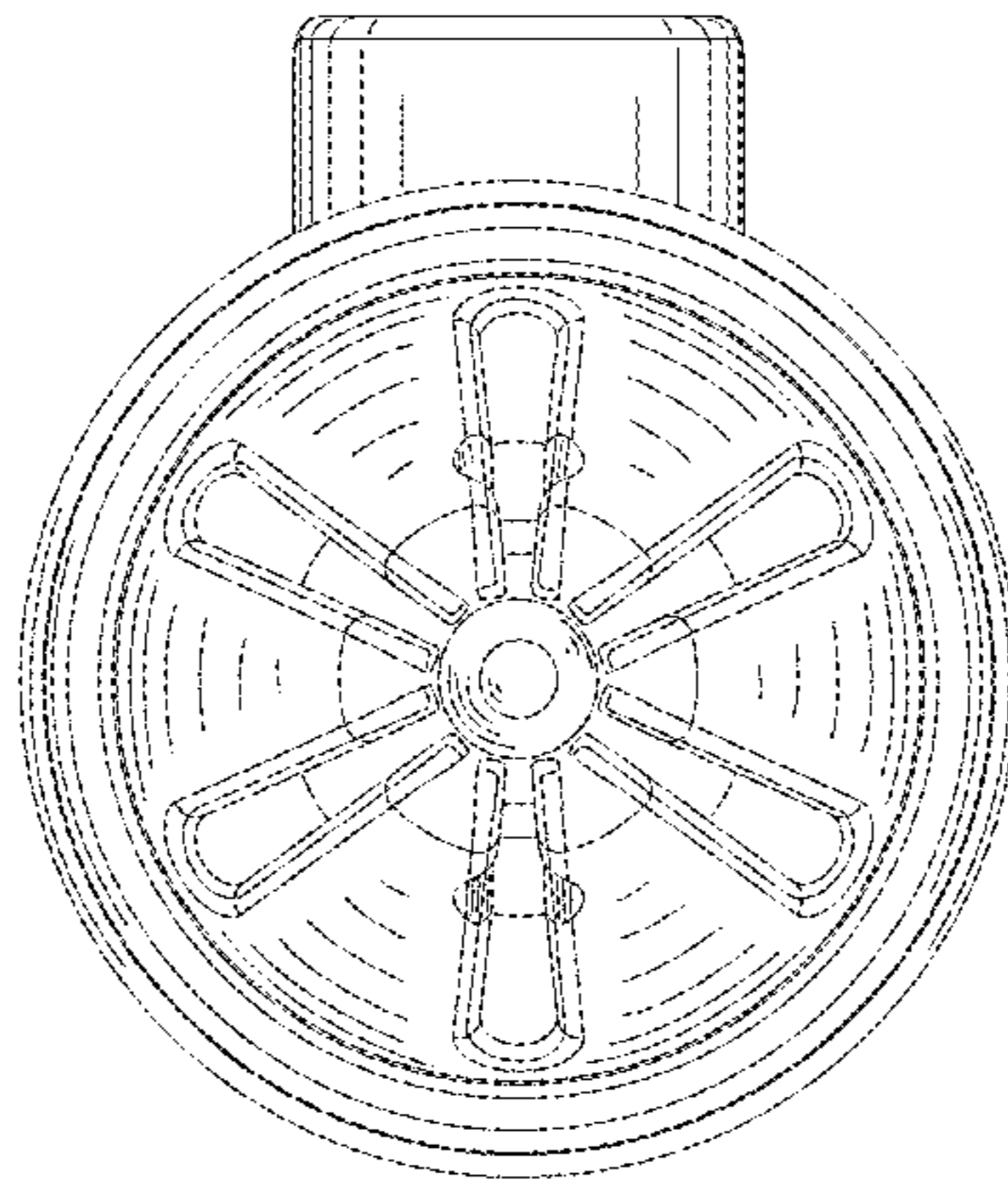


FIG. 8