



US00D753258S

(12) **United States Design Patent**
Arnedo Vera et al.

(10) **Patent No.:** **US D753,258 S**
(45) **Date of Patent:** **** Apr. 5, 2016**

(54) **BULLET**

(71) Applicant: **GAMO OUTDOOR, S.L.**, Sant Boi de Llobregat (ES)

(72) Inventors: **Julian Arnedo Vera**, Sant Boi de Llobregat (ES); **Victor Tresserras Torre**, Sant Boi de Llobregat (ES)

(73) Assignee: **GAMO OUTDOOR, S.L.**, Sant Boi de Llobregat (Barcelona) (ES)

(**) Term: **14 Years**

(21) Appl. No.: **29/496,261**

(22) Filed: **Jul. 10, 2014**

(30) **Foreign Application Priority Data**

Jan. 10, 2014 (EM) 002382937-0001

(51) **LOC (10) Cl.** **22-16**

(52) **U.S. Cl.**
USPC **D22/116**

(58) **Field of Classification Search**
USPC D22/115-116; 102/346, 430, 439, 448,
102/458, 460, 464-468, 471, 501, 506, 508,
102/514, 517, 521; 86/10, 19.5, 23, 25,
86/46-48, 54-55; 473/569

CPC F42B 6/10

See application file for complete search history.

(56) **References Cited**

U.S. PATENT DOCUMENTS

2,982,550	A *	5/1961	Francis	F42B 6/10 102/526
4,251,079	A *	2/1981	Earl	F42B 6/10 102/501
5,009,165	A *	4/1991	Morris	F42B 12/40 102/501
5,471,719	A *	12/1995	Sawyers	F42B 6/10 102/508
6,244,186	B1 *	6/2001	Pichard	F42B 6/10 102/501
2007/0181029	A1 *	8/2007	Mcaninch	F41B 11/00 102/430
2009/0217838	A1 *	9/2009	Salva	F42B 33/001 102/508
2014/0216294	A1 *	8/2014	Tresserras Torre	F42B 6/10 102/517

* cited by examiner

Primary Examiner — Michael A Pratt

(74) *Attorney, Agent, or Firm* — Knobbe Martens Olson & Bear LLP

(57) **CLAIM**

The ornamental design for bullet, as shown and described.

DESCRIPTION

FIG. 1 is a top perspective view of bullet showing our new design.

FIG. 2 is a right elevational view thereof

FIG. 3 is a front elevational view thereof.

FIG. 4 is a left elevational view thereof.

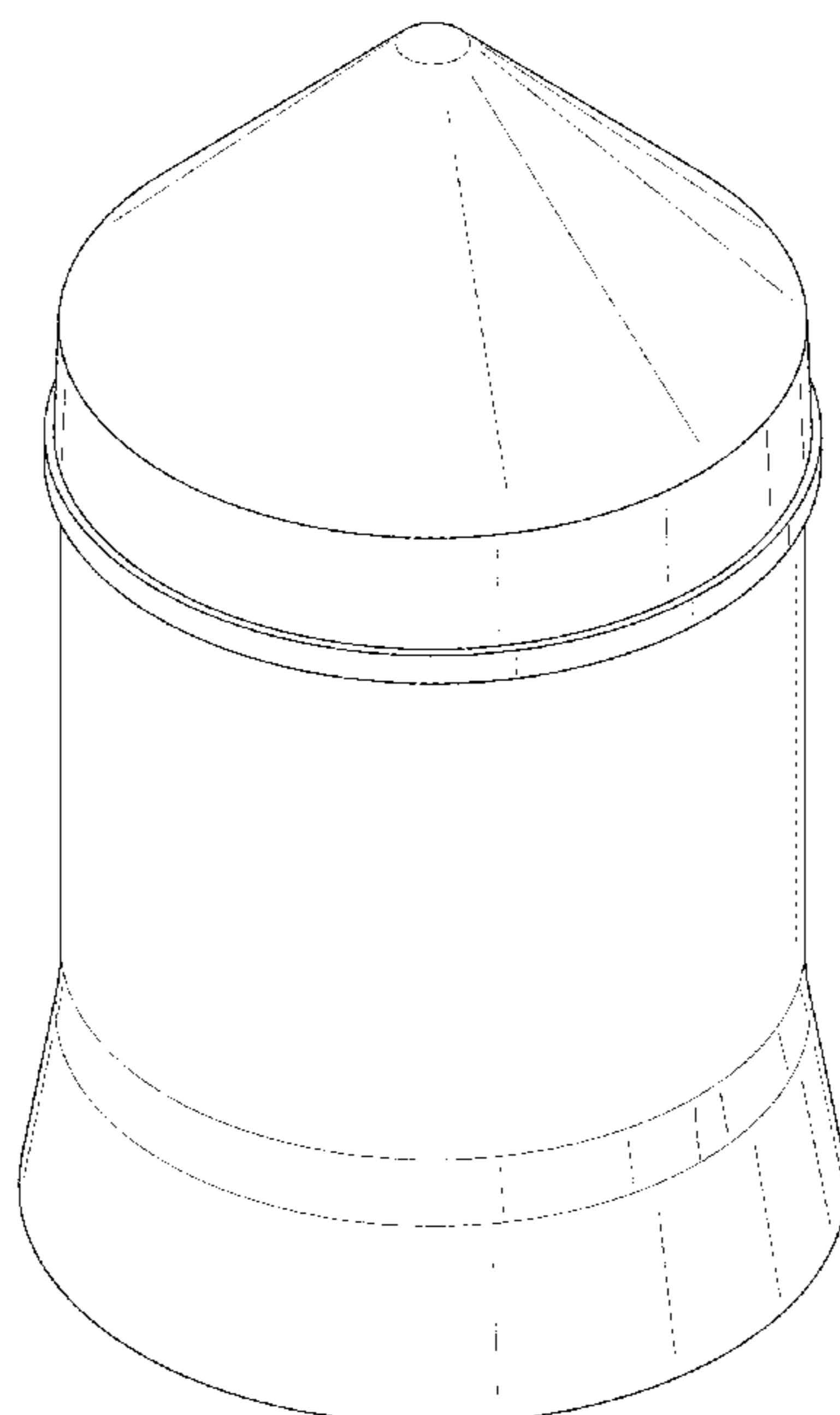
FIG. 5 is a top plan view thereof.

FIG. 6 is a rear elevational view thereof; and,

FIG. 7 is a bottom plan view thereof.

The broken lines in FIG. 7 are included for the purpose of illustrating portions of the bullet that forms no part of the claimed design.

1 Claim, 7 Drawing Sheets



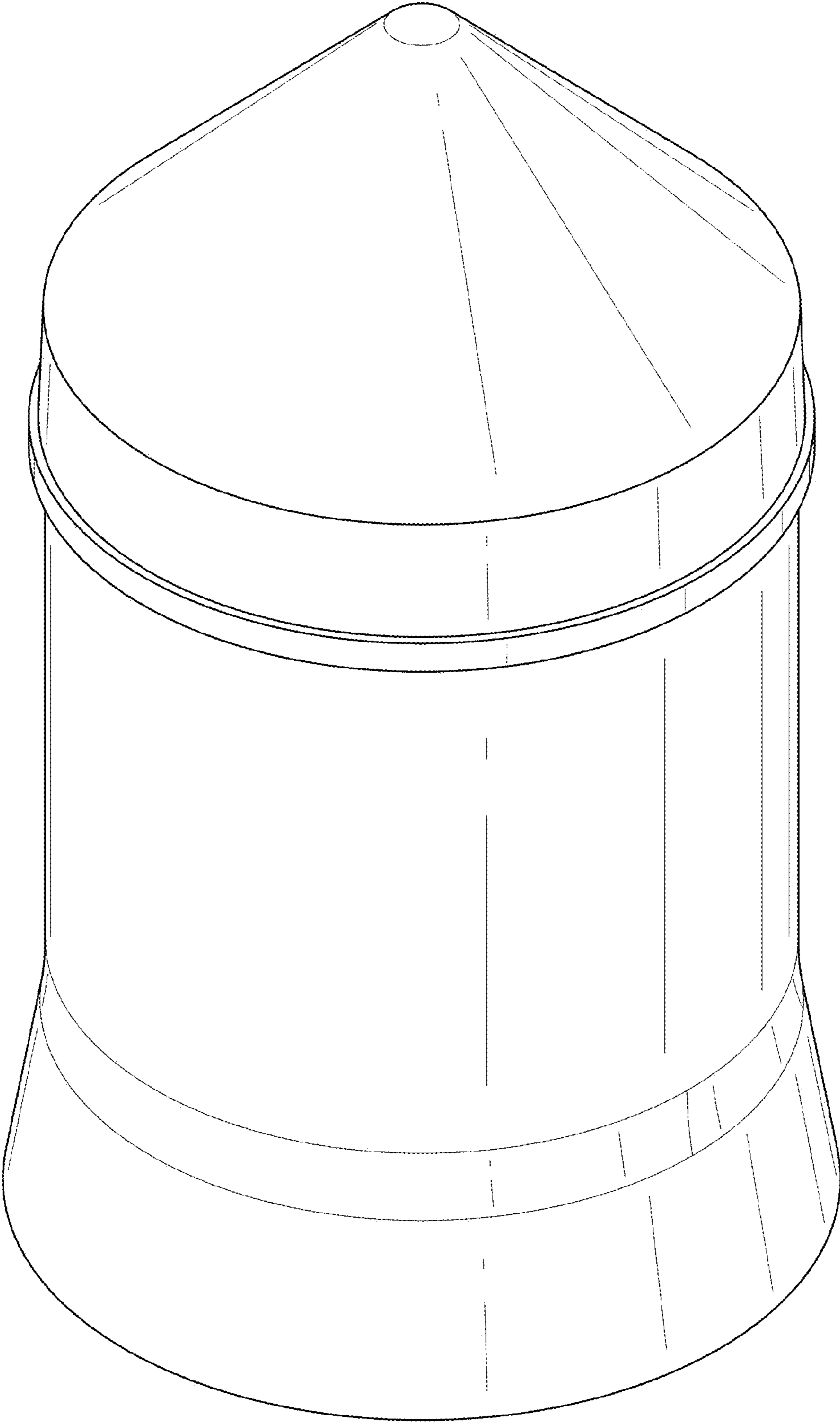


FIG. 1

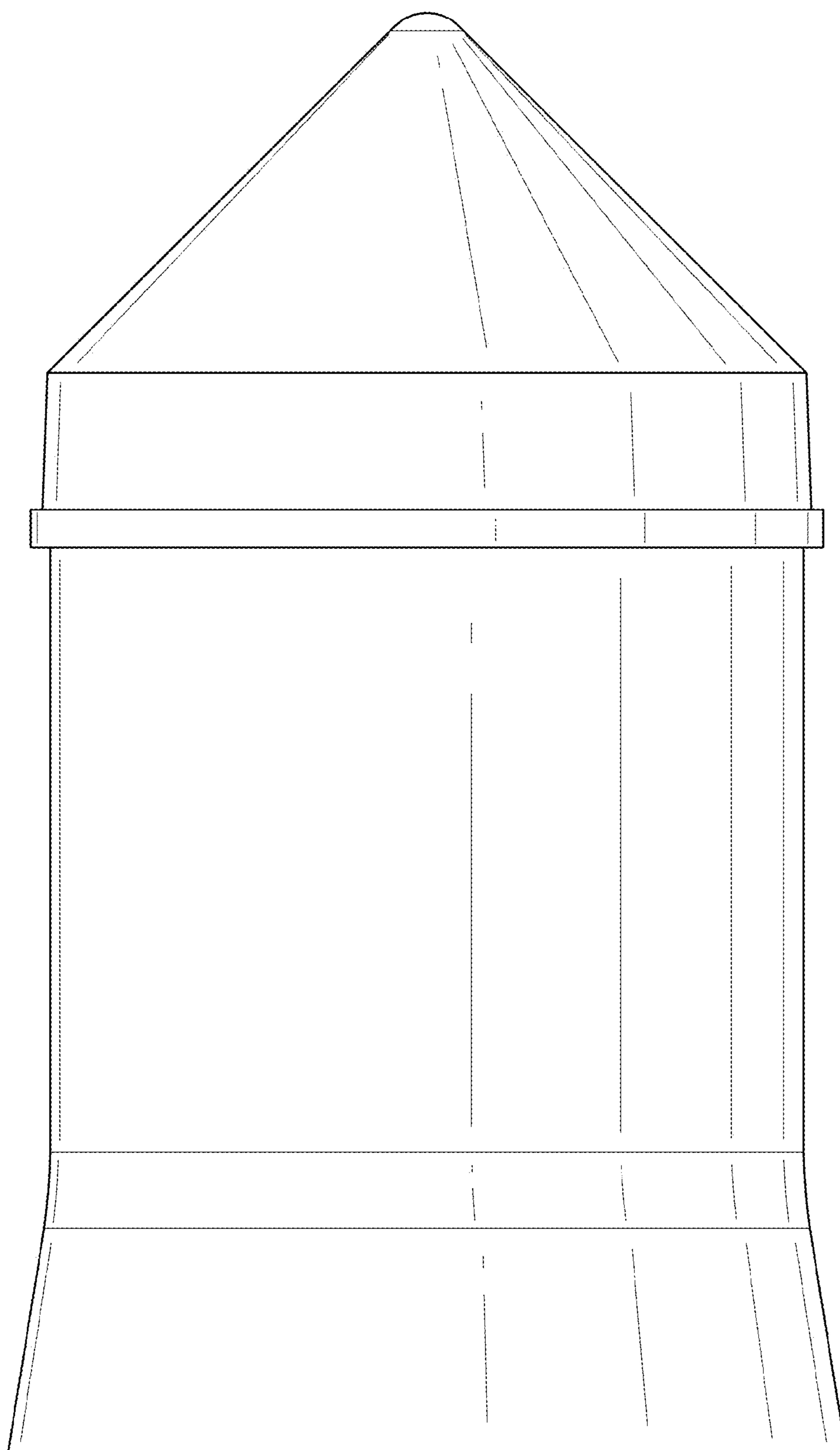


FIG. 2

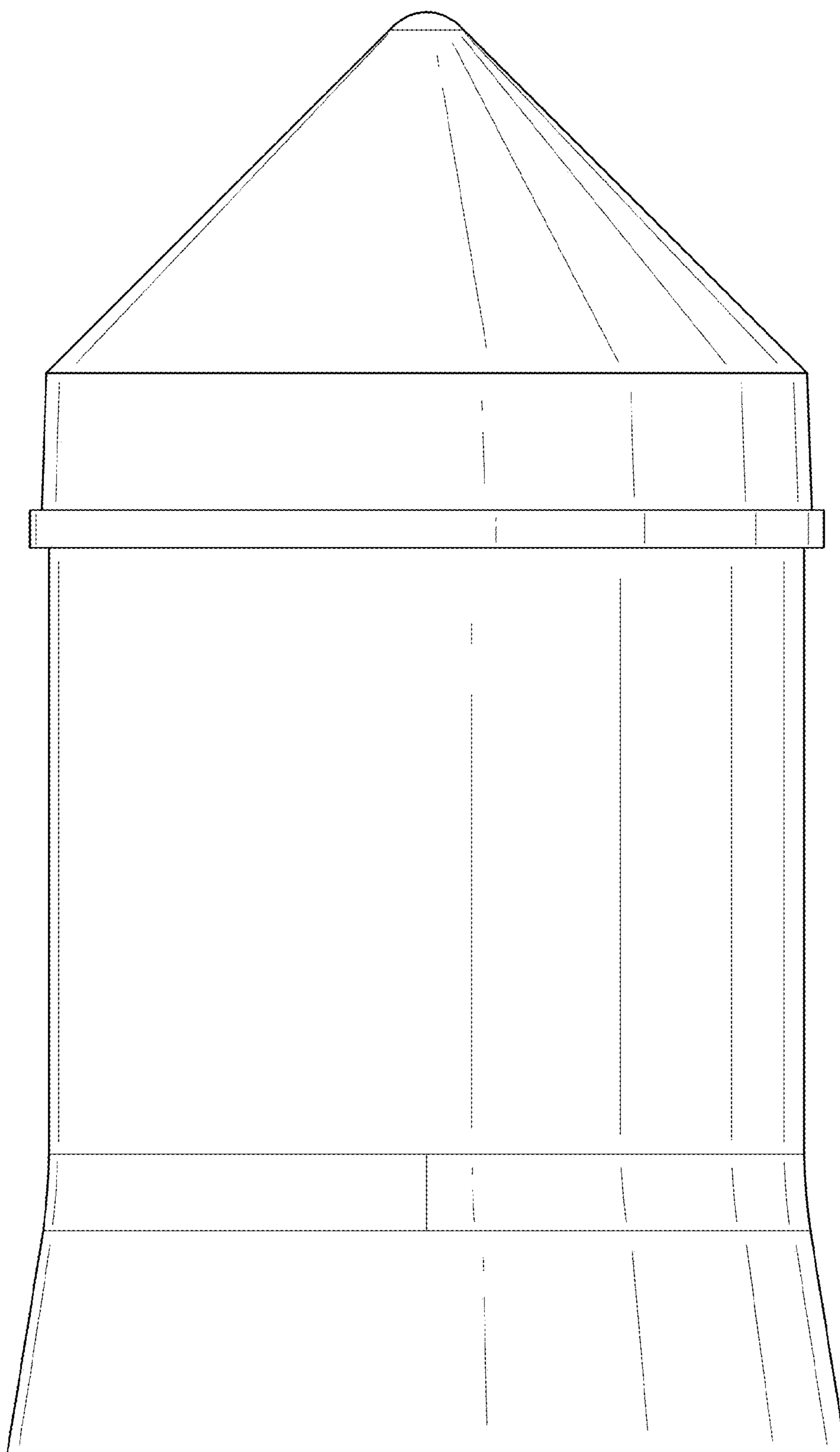


FIG. 3

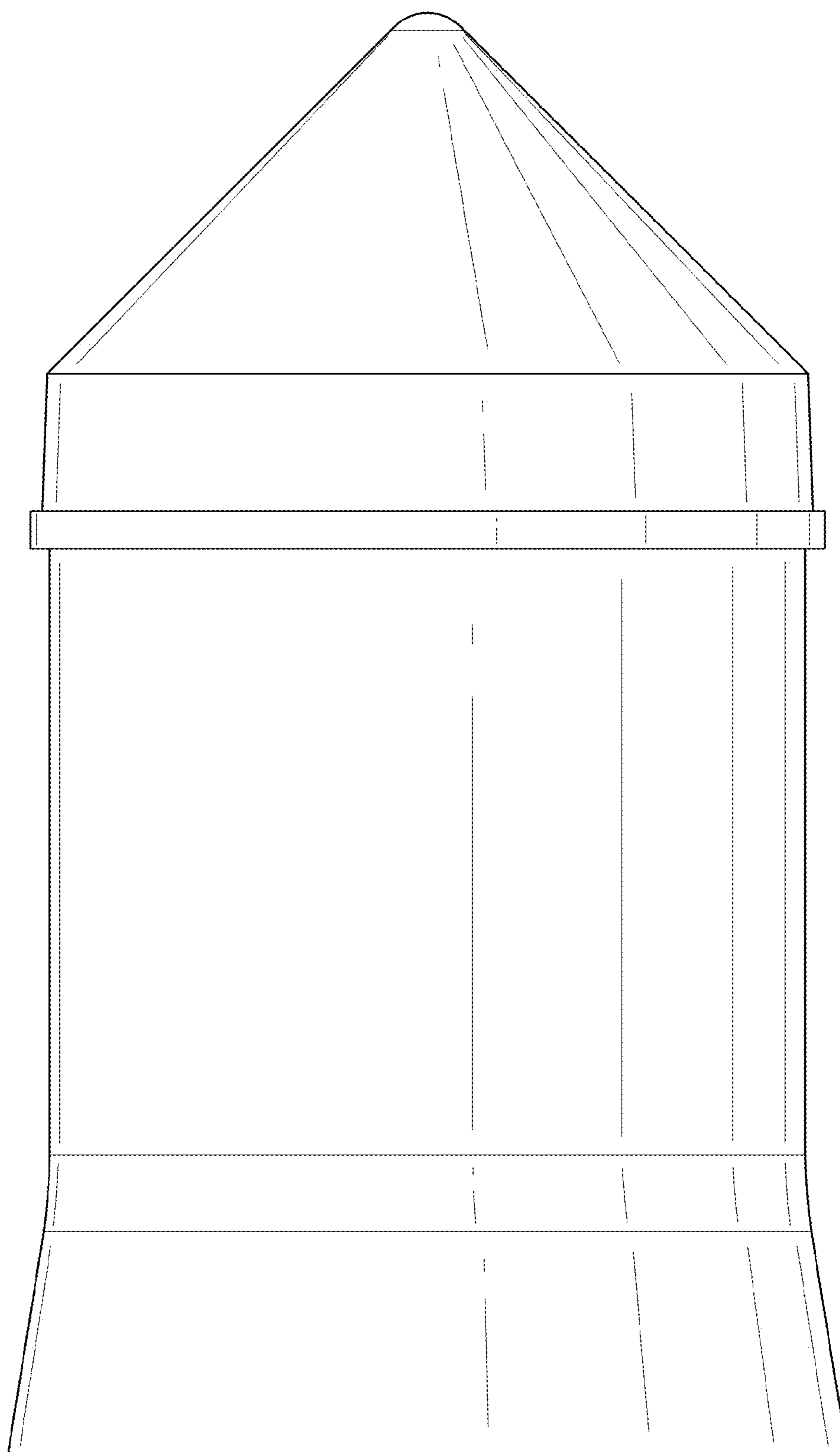


FIG. 4

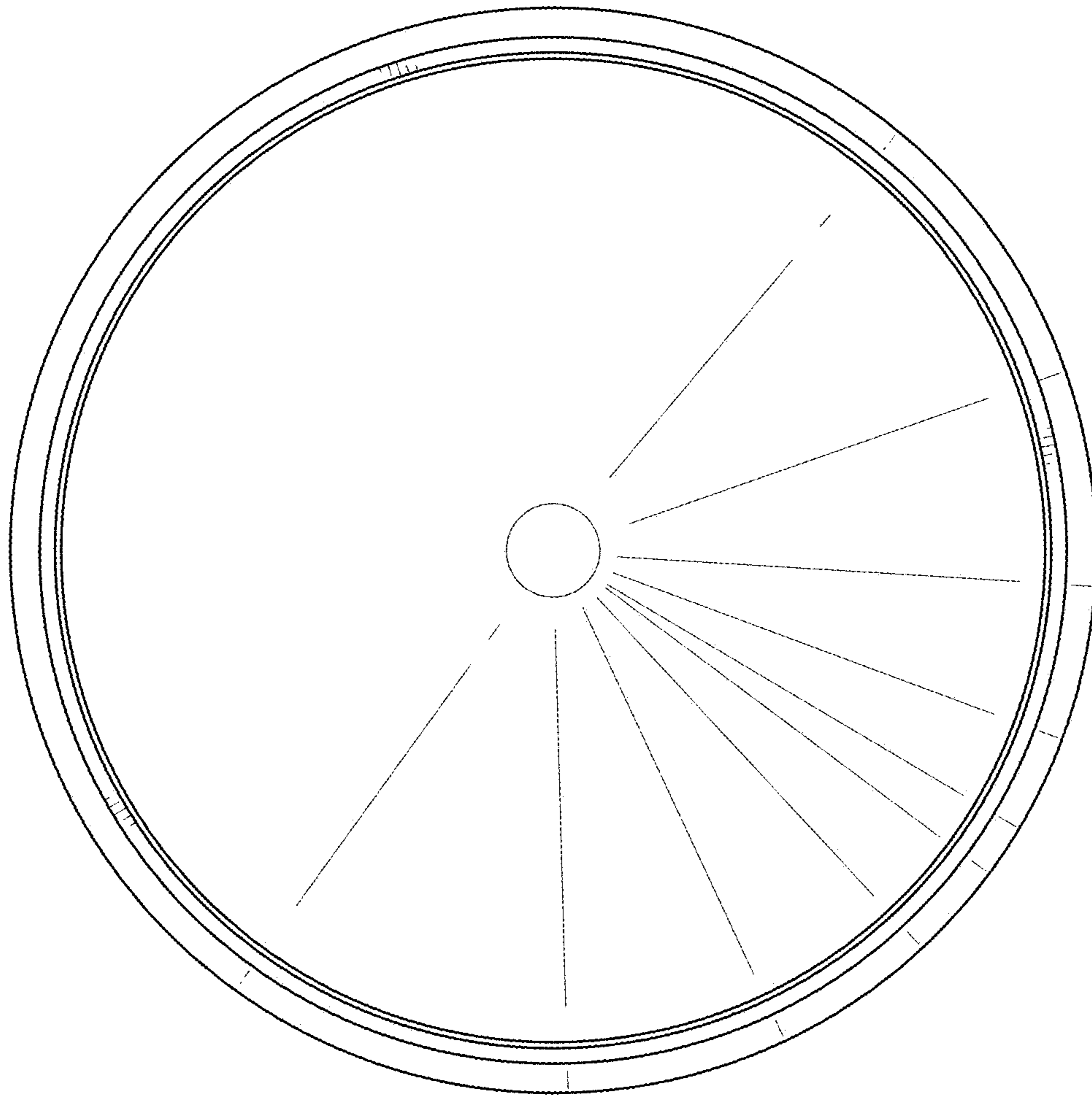


FIG. 5

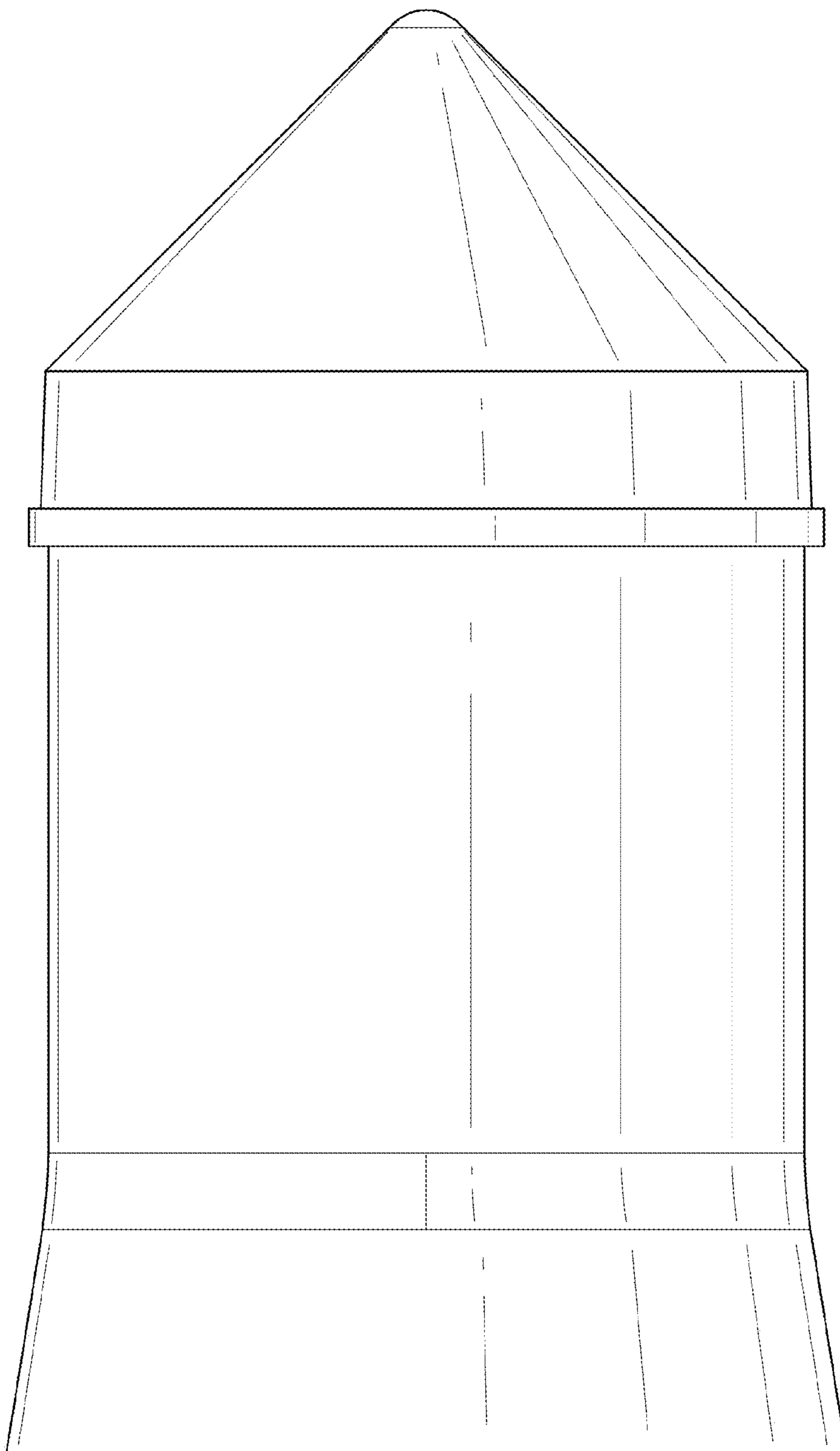


FIG. 6

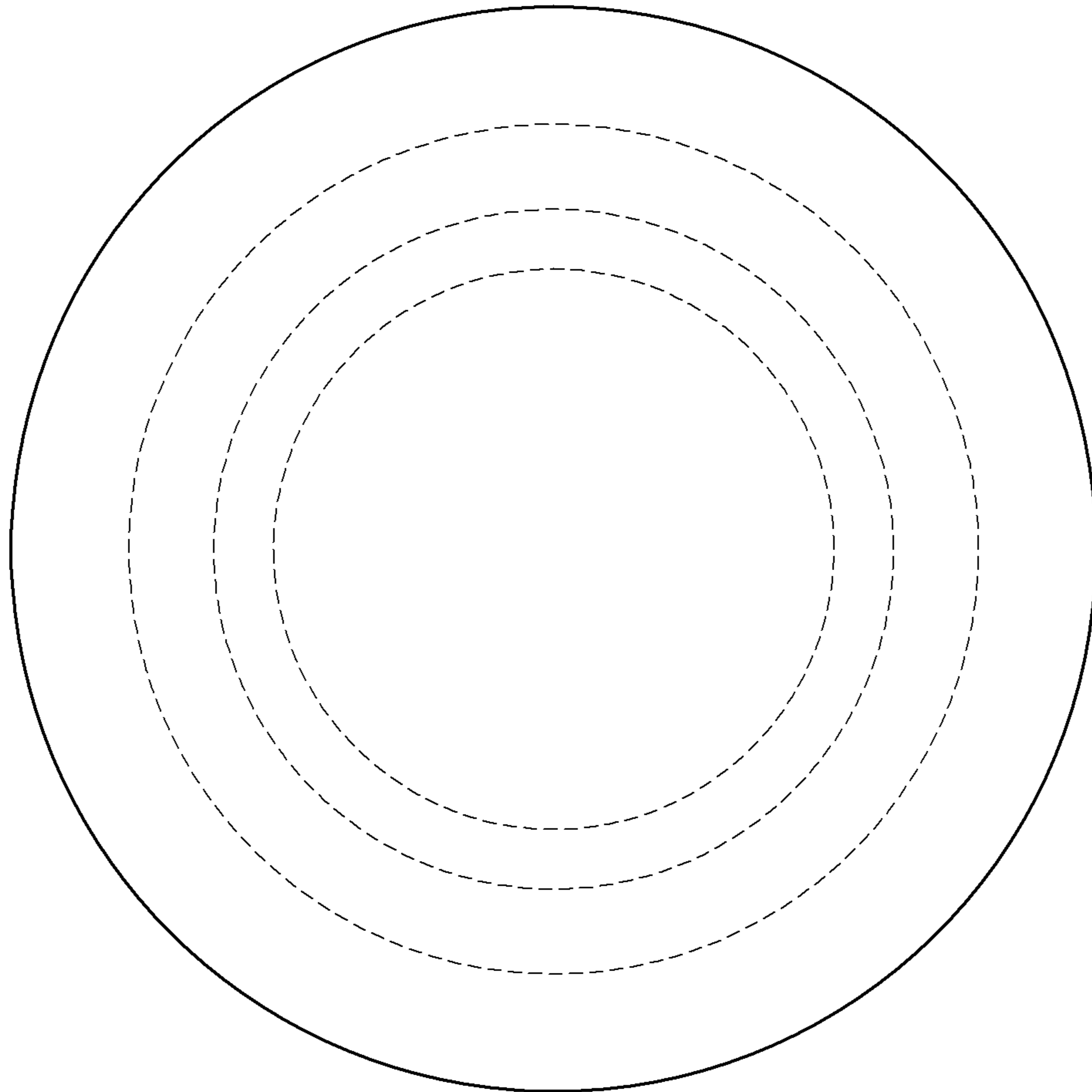


FIG. 7