



US00D753256S

(12) **United States Design Patent**
Azhocar

(10) **Patent No.:** **US D753,256 S**
(45) **Date of Patent:** **** Apr. 5, 2016**

(54) **FIREARM TOOL**

4,771,144 A 9/1988 Goyarts
D301,963 S 7/1989 Jackson
D303,915 S 10/1989 Knutson

(71) Applicant: **Frederick Steven Azhocar**, San Diego,
CA (US)

(Continued)

Primary Examiner — Michael A Pratt

(72) Inventor: **Frederick Steven Azhocar**, San Diego,
CA (US)

(57) **CLAIM**

The ornamental design for a firearm tool, as shown and described.

(**) Term: **14 Years**

DESCRIPTION

(21) Appl. No.: **29/503,520**

(22) Filed: **Sep. 26, 2014**

(51) **LOC (10) Cl.** **22-01**

(52) **U.S. Cl.**
USPC **D22/108**

(58) **Field of Classification Search**
USPC D22/108; D8/356
CPC F41A 11/00
See application file for complete search history.

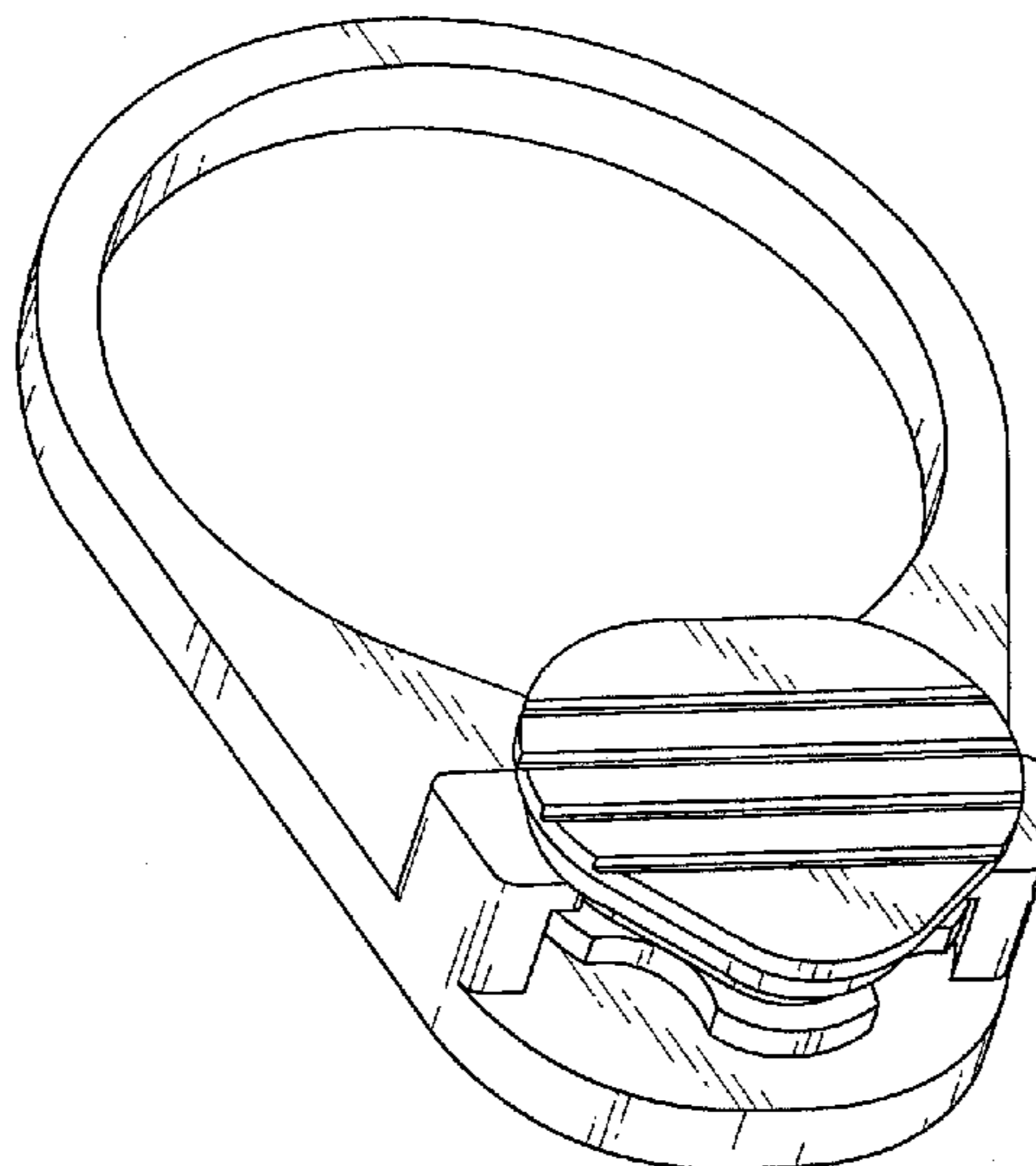
FIG. 1 is a front perspective view of a firearm tool that includes a tool and docking station in an assembled configuration incorporating the design of the present invention; FIG. 2 is a back perspective view thereof; FIG. 3 is a front view thereof; FIG. 4 is a back view thereof; FIG. 5 is a right side view thereof; FIG. 6 is a top view thereof; FIG. 7 is a bottom view thereof; FIG. 8 is a front perspective view of the docking station in FIG. 1 with the tool removed; FIG. 9 is a back perspective view of the docking station from FIG. 8; FIG. 10 is a front view of the docking station from FIG. 8; FIG. 11 is a back view of the docking station from FIG. 8; FIG. 12 is a right side view of the docking station from FIG. 8; FIG. 13 is a top view of the docking station from FIG. 8; FIG. 14 is a bottom view of the docking station from FIG. 8; FIG. 15 is a front perspective view of the tool in FIG. 1 removed from the docking station; FIG. 16 is a back perspective view of the tool from FIG. 15; FIG. 17 is a front view of the tool from FIG. 15; FIG. 18 is a back view of the tool from FIG. 15; FIG. 19 is a right side view of the tool from FIG. 15; FIG. 20 is a top view of the tool from FIG. 15; and, FIG. 21 is a bottom view of the tool from FIG. 15. A single side view is provided for each component of the firearm tool as the opposite side is symmetric.

(56) **References Cited**

U.S. PATENT DOCUMENTS

2,151,846 A	3/1934	Greneker	
2,145,054 A *	1/1939	Mossberg F41A 21/485 411/402
2,509,837 A	5/1950	Niizawa	
2,679,123 A *	5/1954	Williams F41A 11/00 42/75.02
2,735,321 A	2/1956	Browne et al.	
2,895,139 A	7/1959	Compton	
3,333,850 A	8/1967	Miller	
3,968,585 A	7/1976	Linha	
4,084,824 A	4/1978	Kalivas	
4,177,698 A	12/1979	Greneker	
4,466,313 A	8/1984	Gardner	
4,521,985 A	6/1985	Smith et al.	

1 Claim, 9 Drawing Sheets



(56)

References Cited

U.S. PATENT DOCUMENTS

4,919,016 A 4/1990 Hanegraaf
 5,070,563 A 12/1991 Tervola
 5,182,972 A 2/1993 Skaleski
 5,234,142 A 8/1993 Loewen
 5,519,954 A 5/1996 Garrett
 5,916,340 A 6/1999 Forsyth
 6,173,519 B1 1/2001 Garrett
 D488,588 S 4/2004 Murphy
 D495,870 S * 9/2004 Verdugo D22/108
 6,867,680 B1 3/2005 Kulle
 6,913,406 B1 7/2005 Nocerino
 D525,336 S * 7/2006 Esch D22/108
 7,357,225 B2 4/2008 Dorian

D568,957 S * 5/2008 Esch D22/108
 D612,895 S * 3/2010 Stein D21/573
 D645,930 S * 9/2011 Pearce D22/108
 8,011,277 B2 9/2011 Johnson et al.
 D671,612 S 11/2012 Azhocar
 8,596,504 B2 * 12/2013 Haley, Sr. F41C 23/02
 224/149
 D726,277 S * 4/2015 Mayberry D22/108
 2004/0104080 A1 6/2004 Sweet et al.
 2006/0123683 A1 6/2006 Garrett et al.
 2010/0236911 A1 9/2010 Wild et al.
 2015/0260471 A1 * 9/2015 Azhocar F41A 11/00
 42/90
 2015/0308768 A1 * 10/2015 Mills F41A 11/04
 42/75.03

* cited by examiner

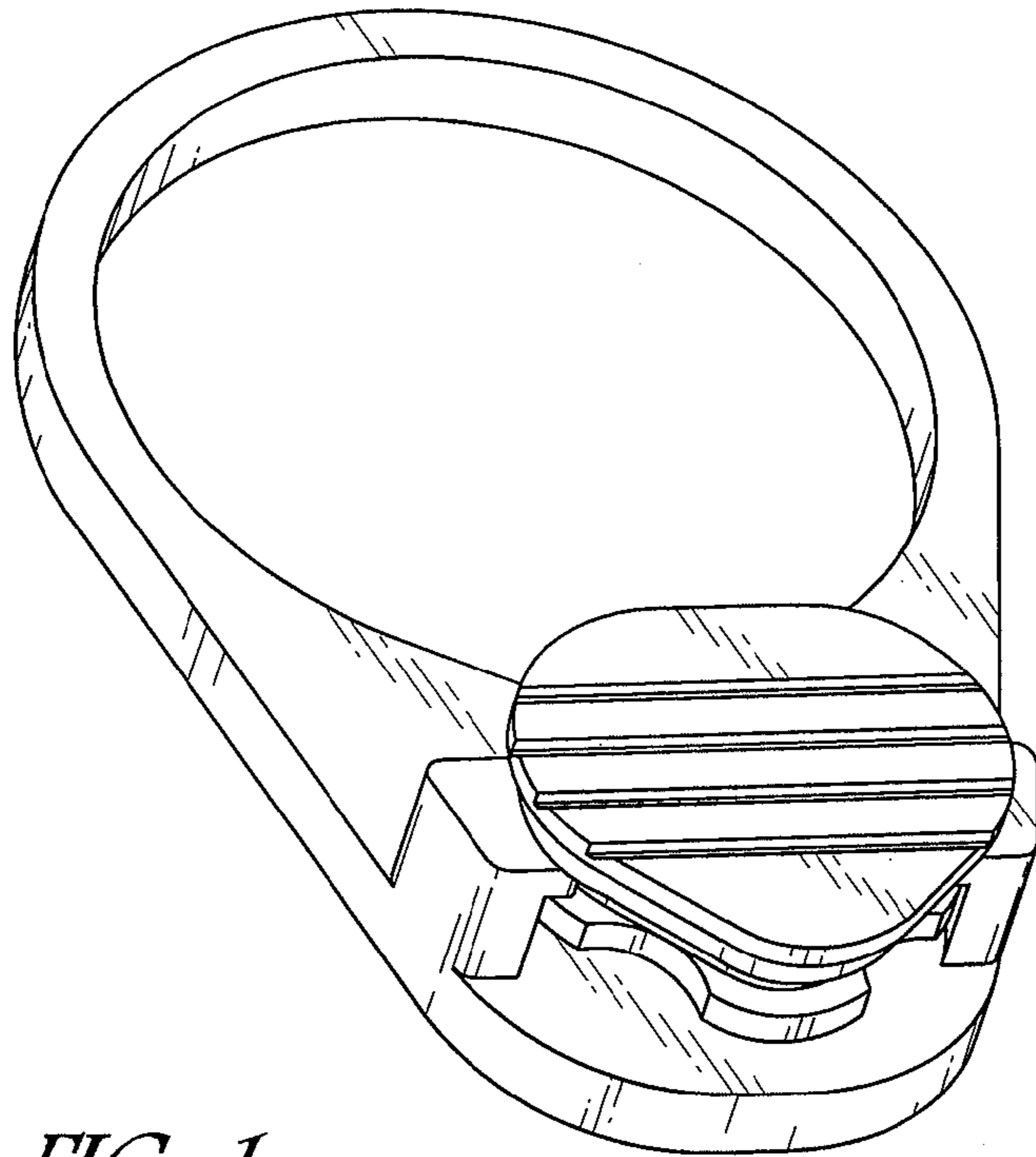


FIG. 1

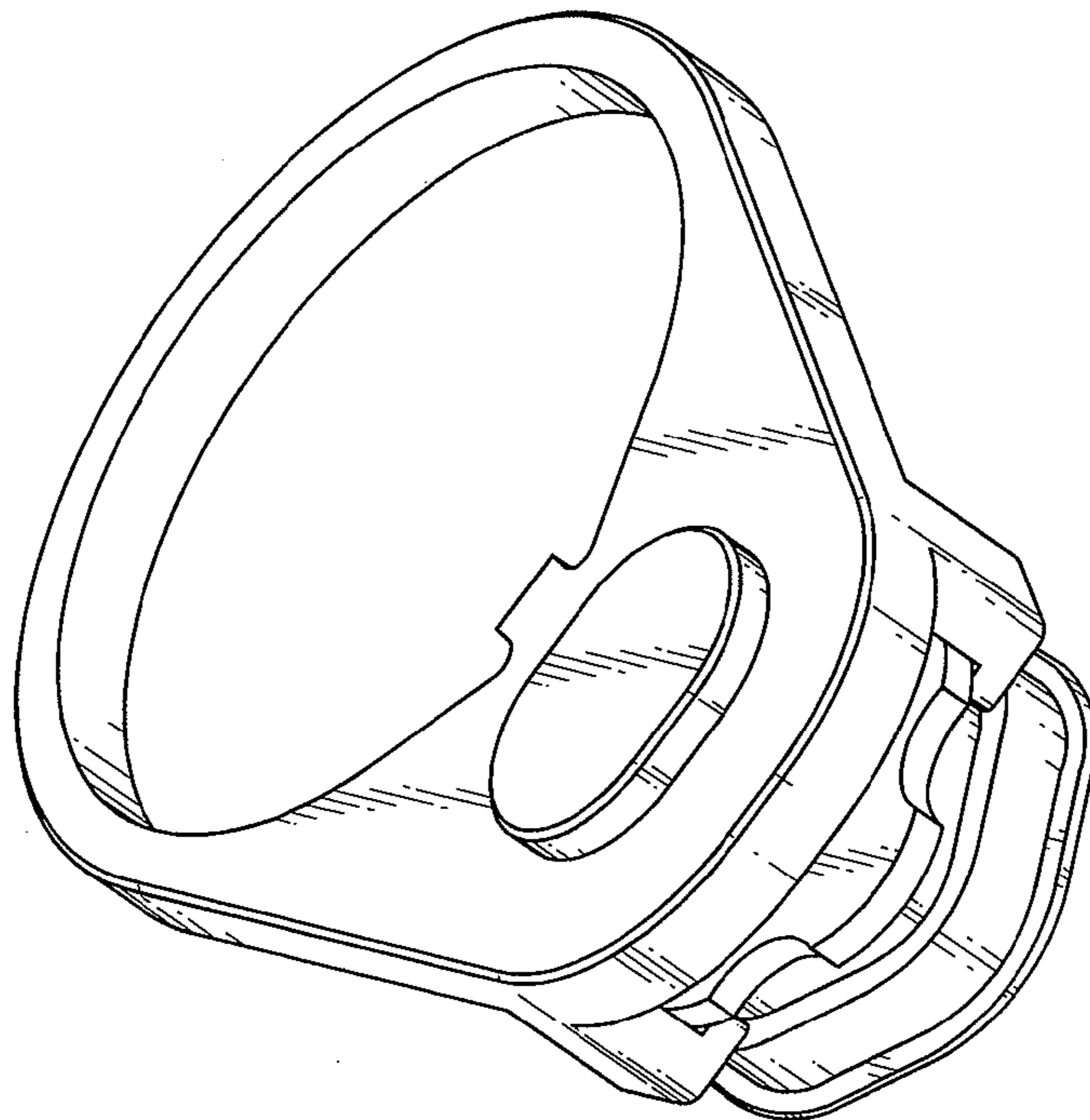


FIG. 2

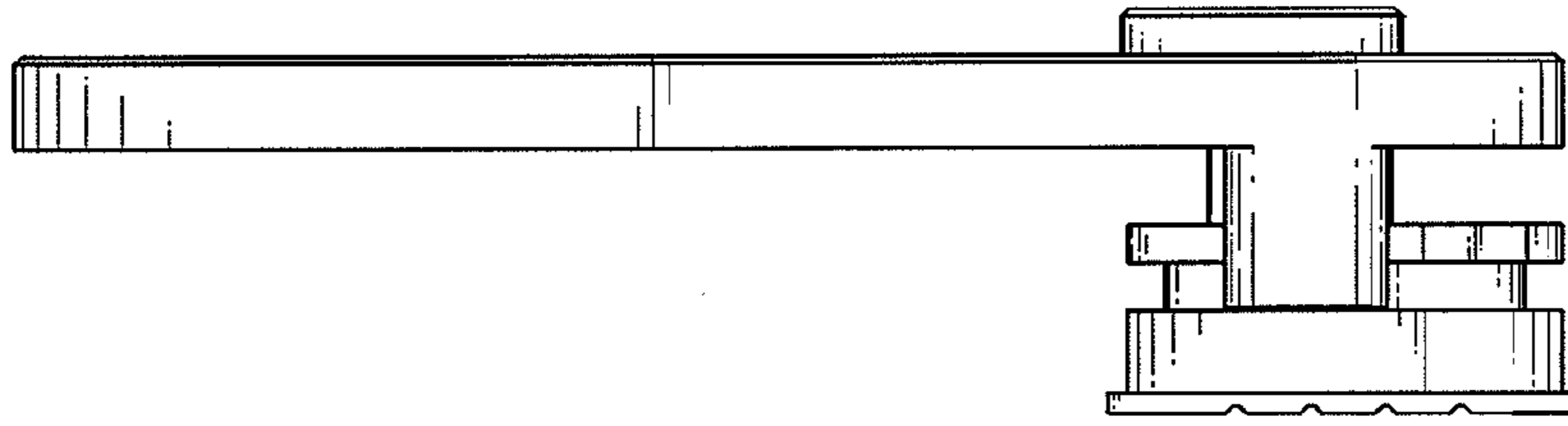


FIG. 5

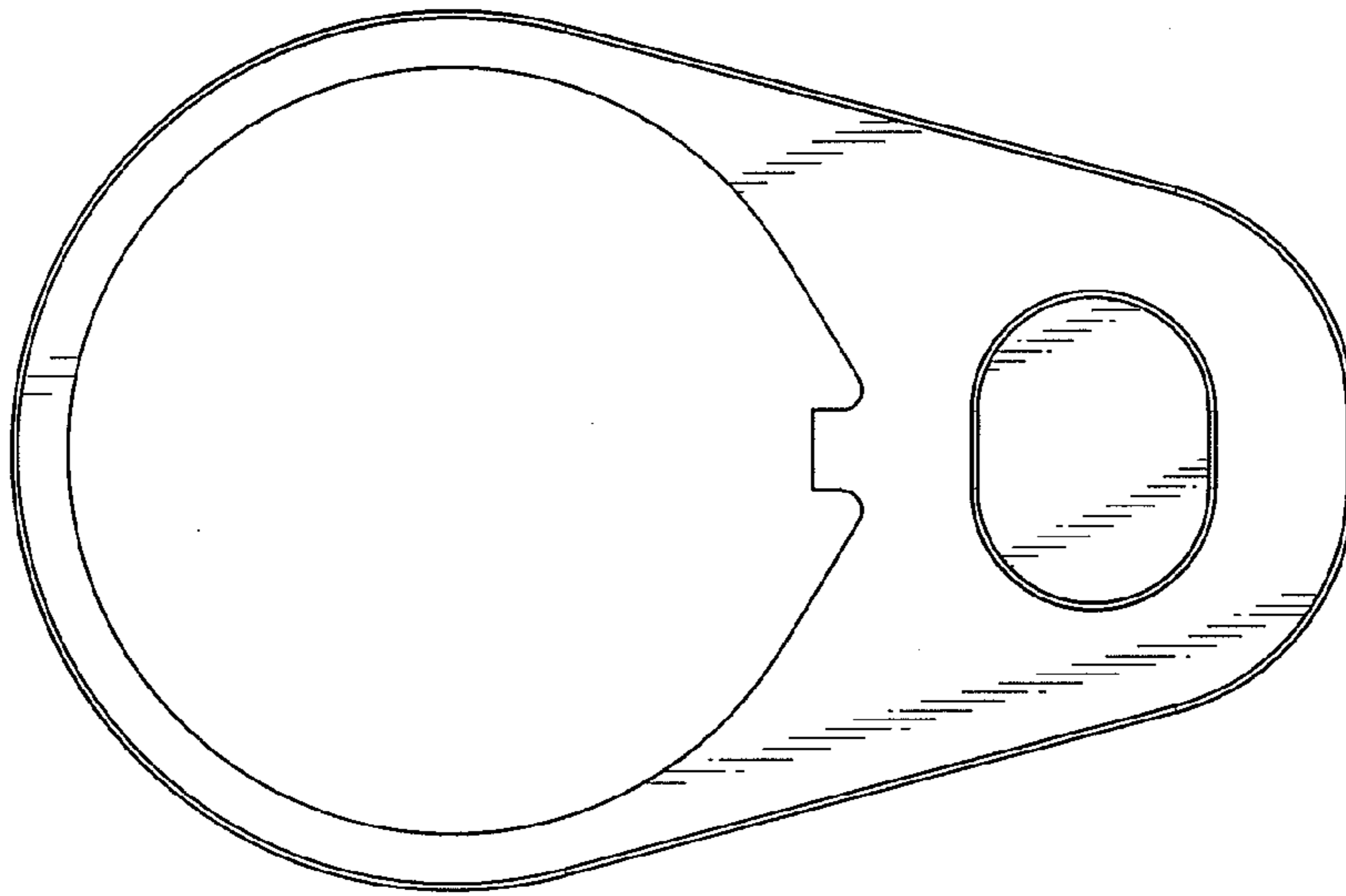


FIG. 4

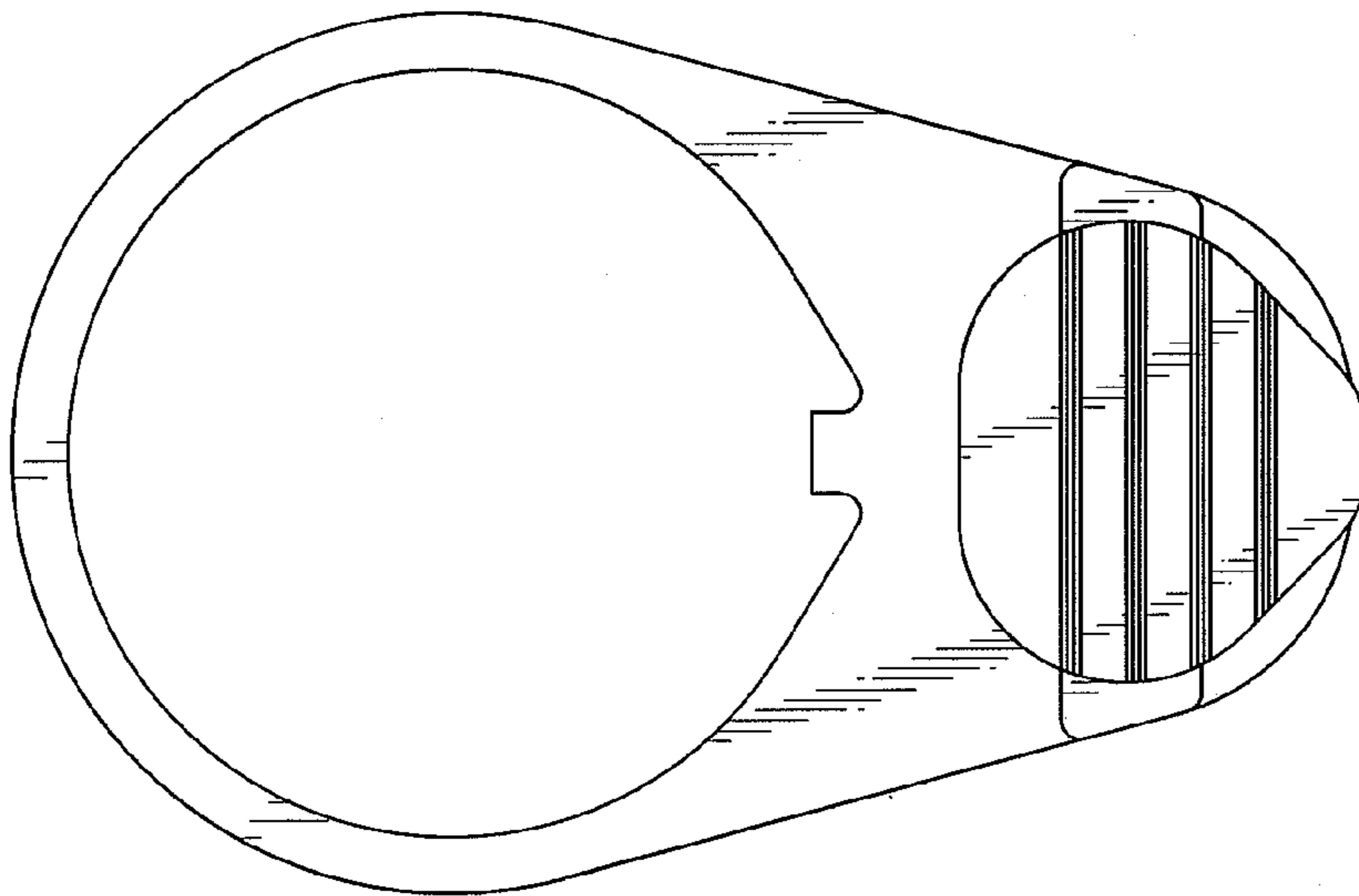


FIG. 3

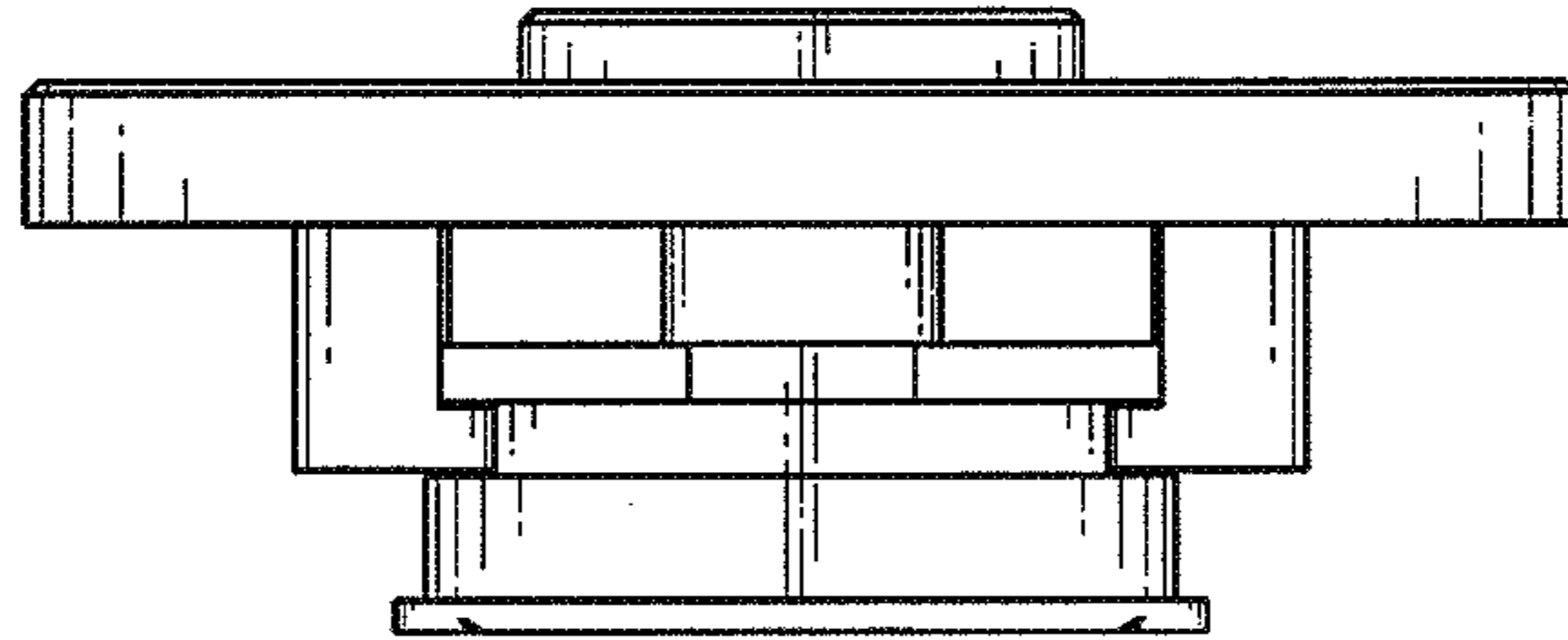


FIG. 6

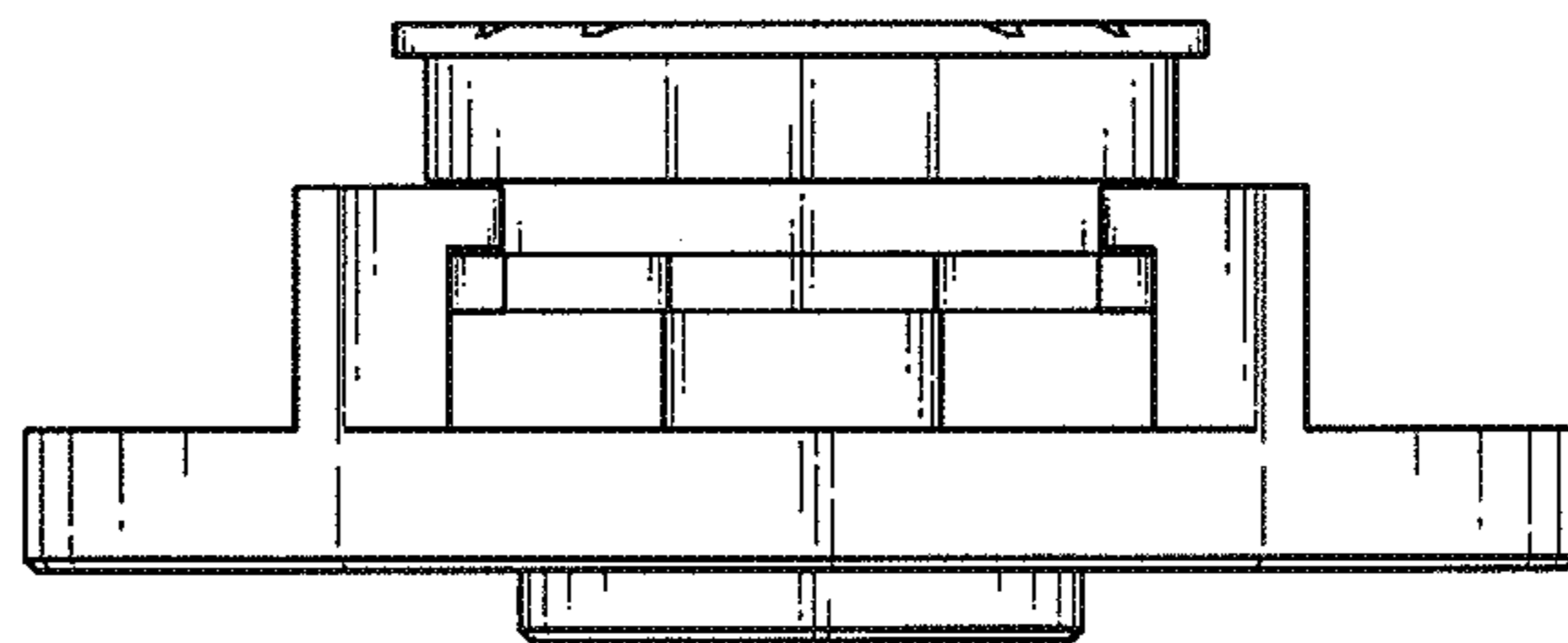


FIG. 7

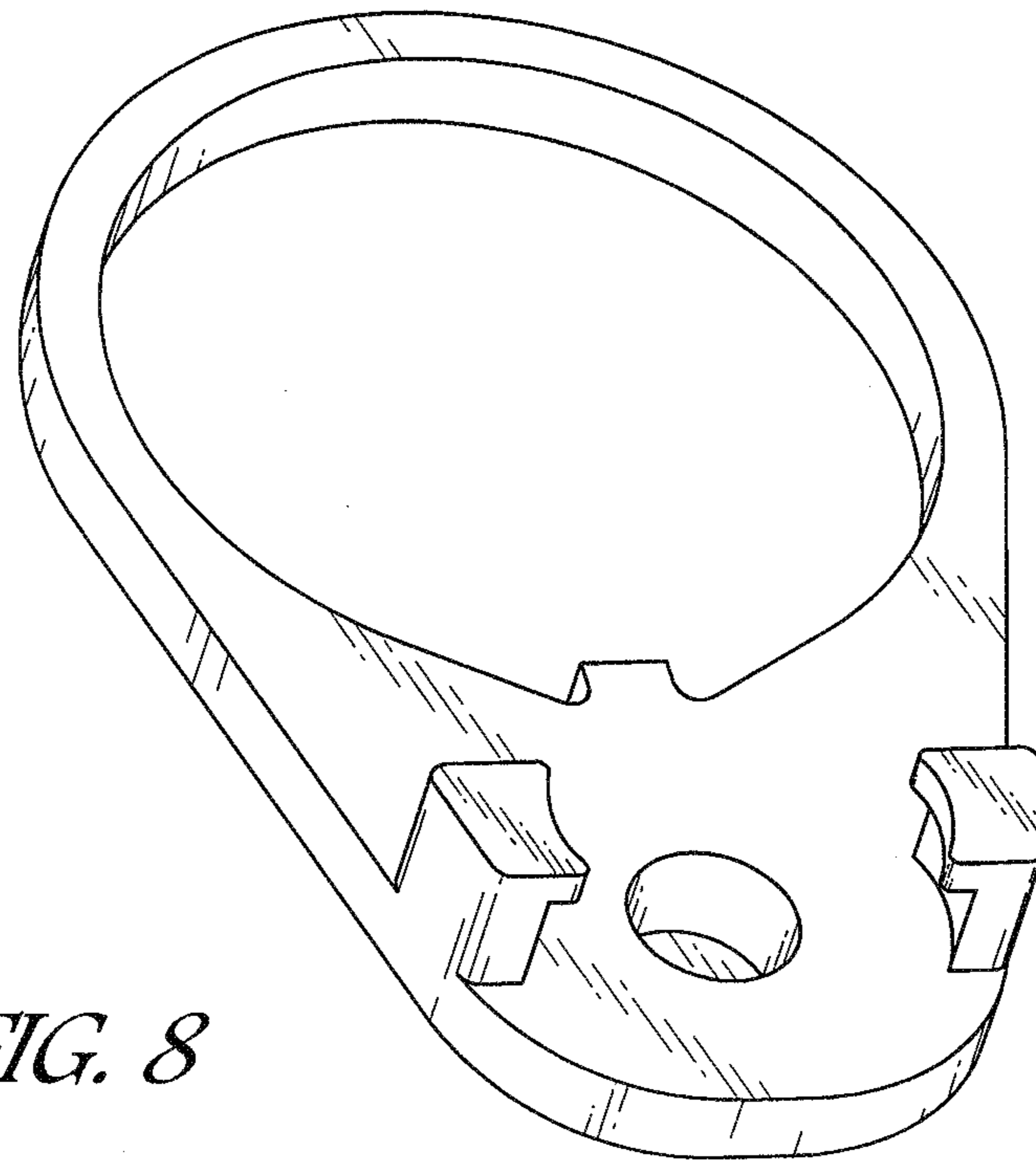


FIG. 8

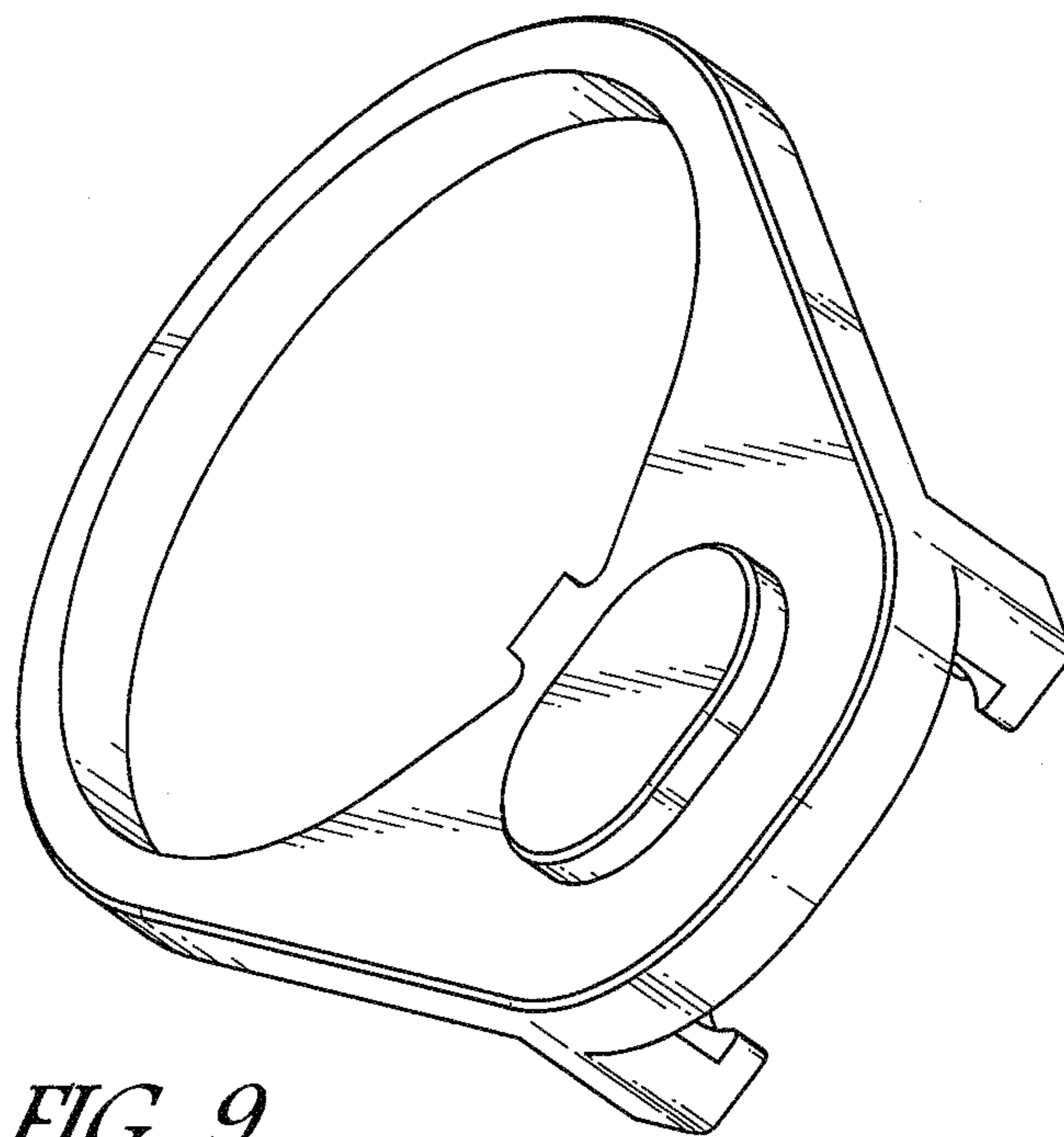


FIG. 9

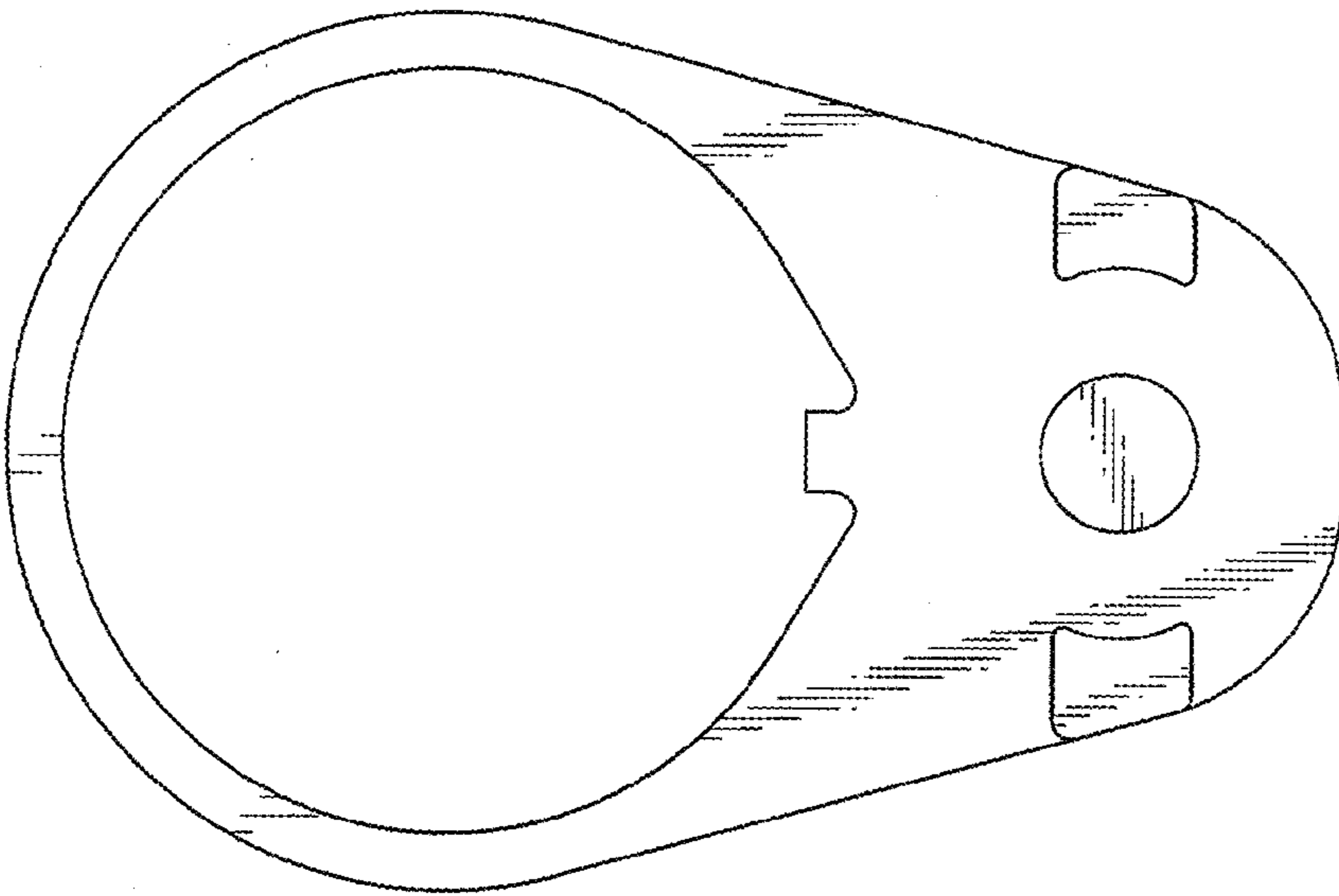


FIG. 10

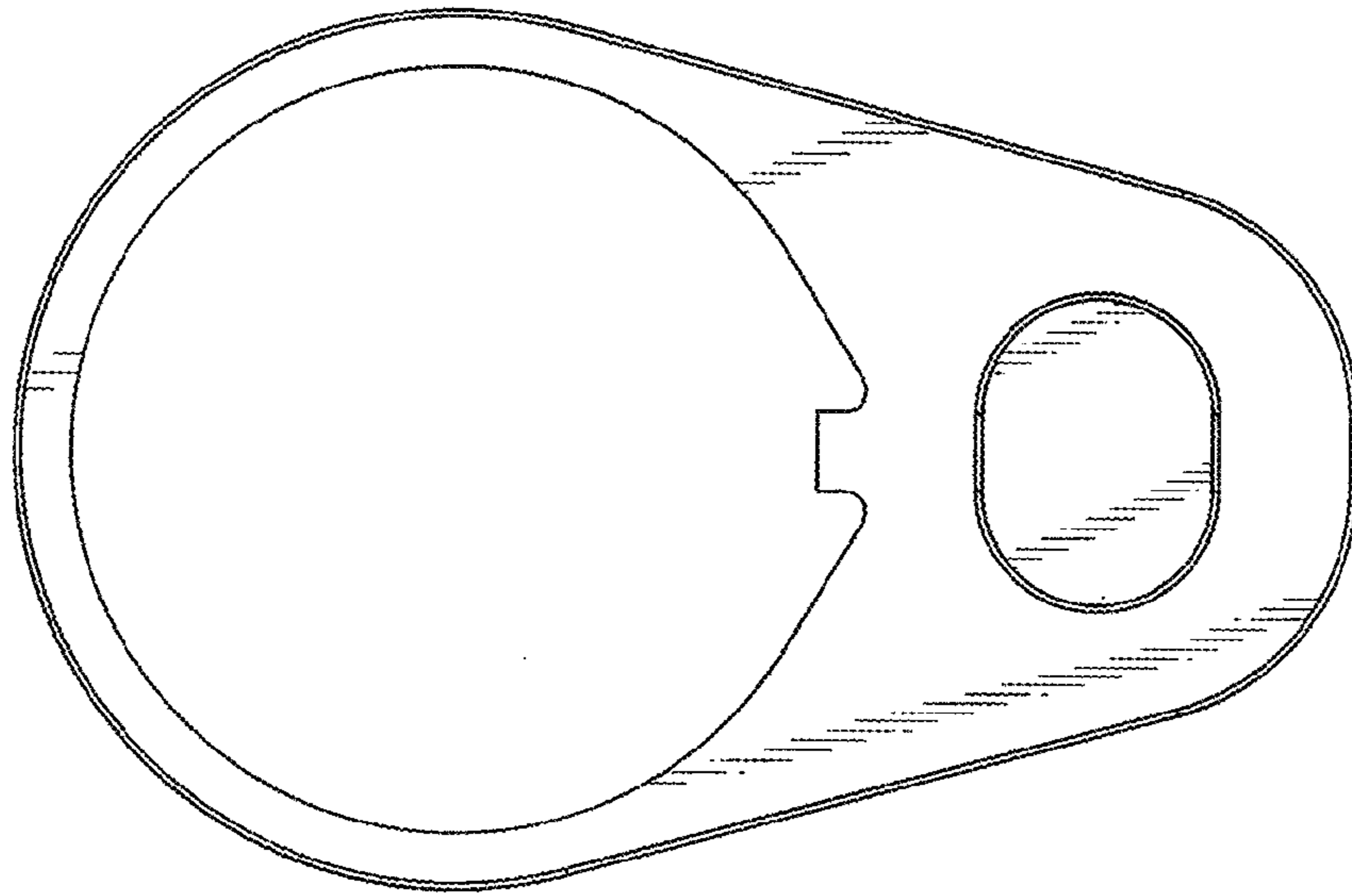


FIG. 11

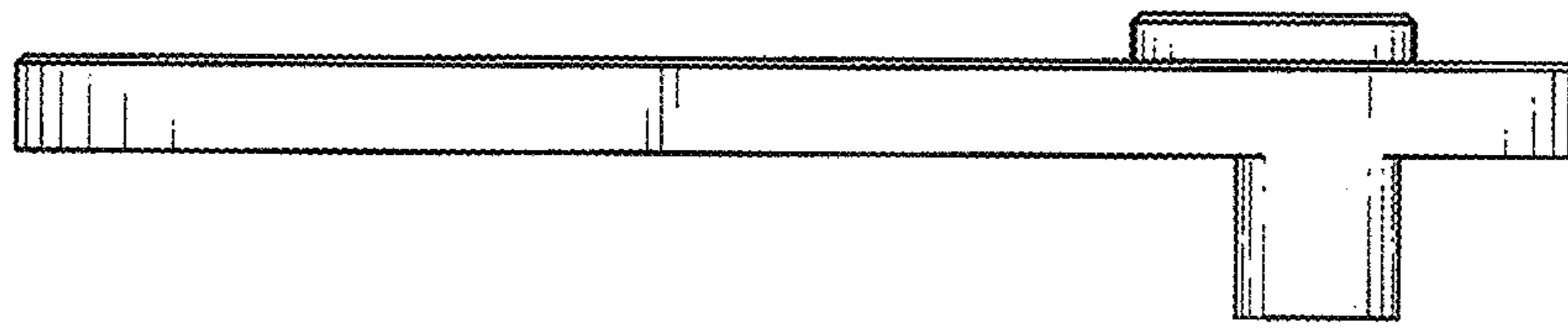


FIG. 12

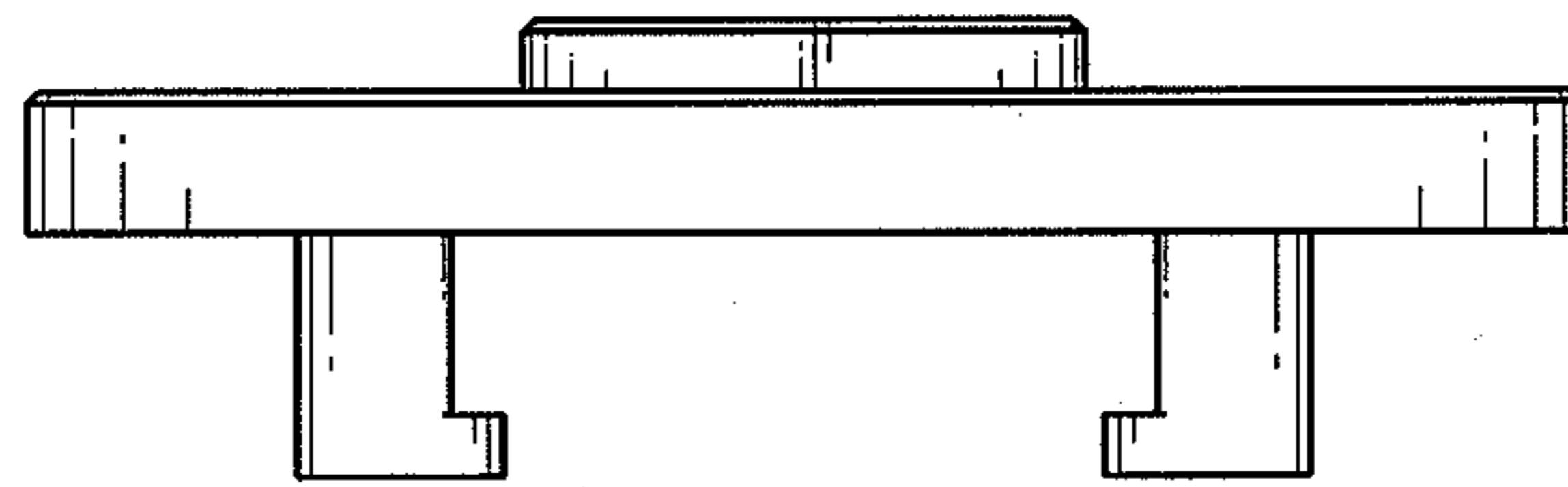


FIG. 13



FIG. 14

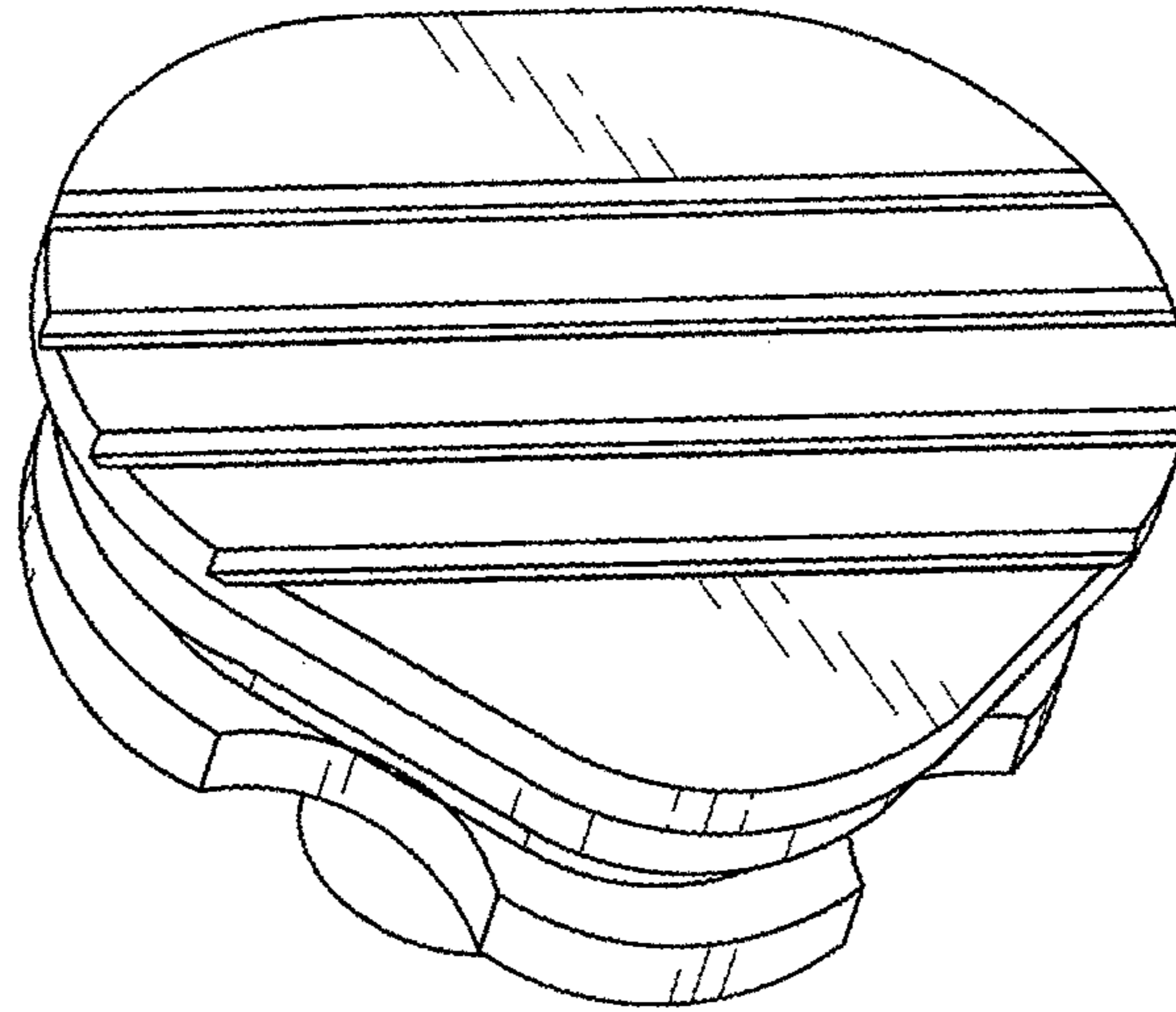


FIG. 15

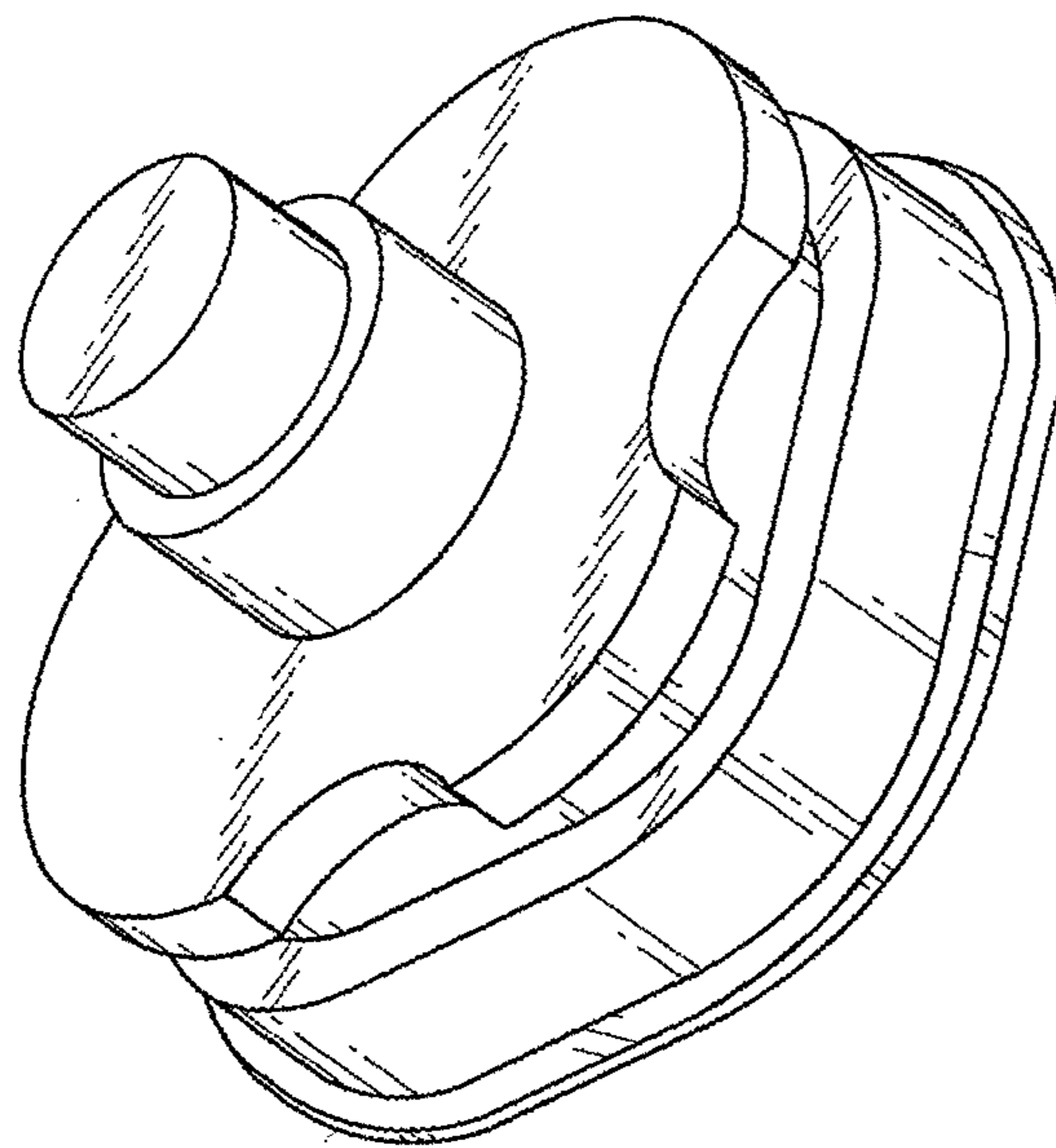


FIG. 16

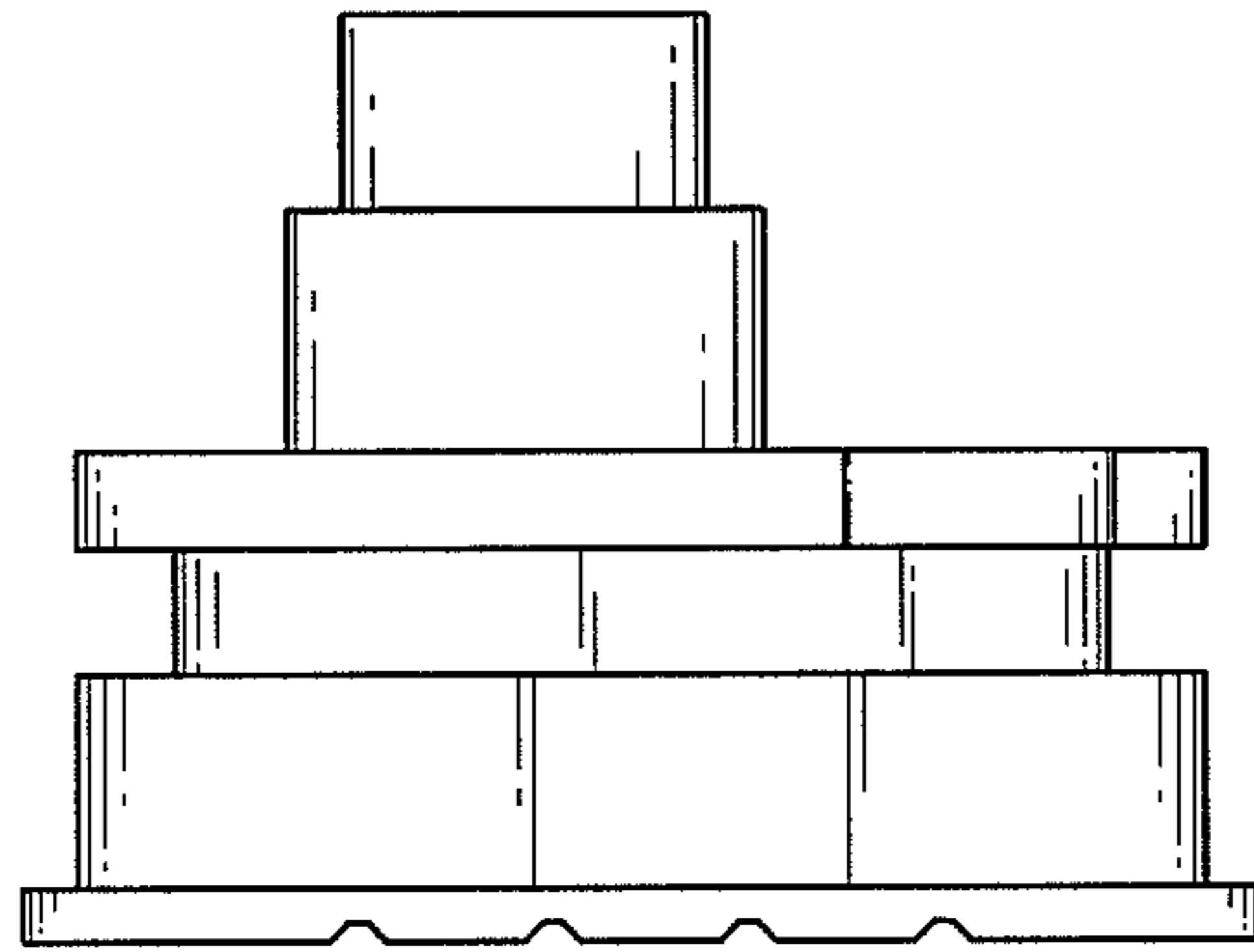


FIG. 17

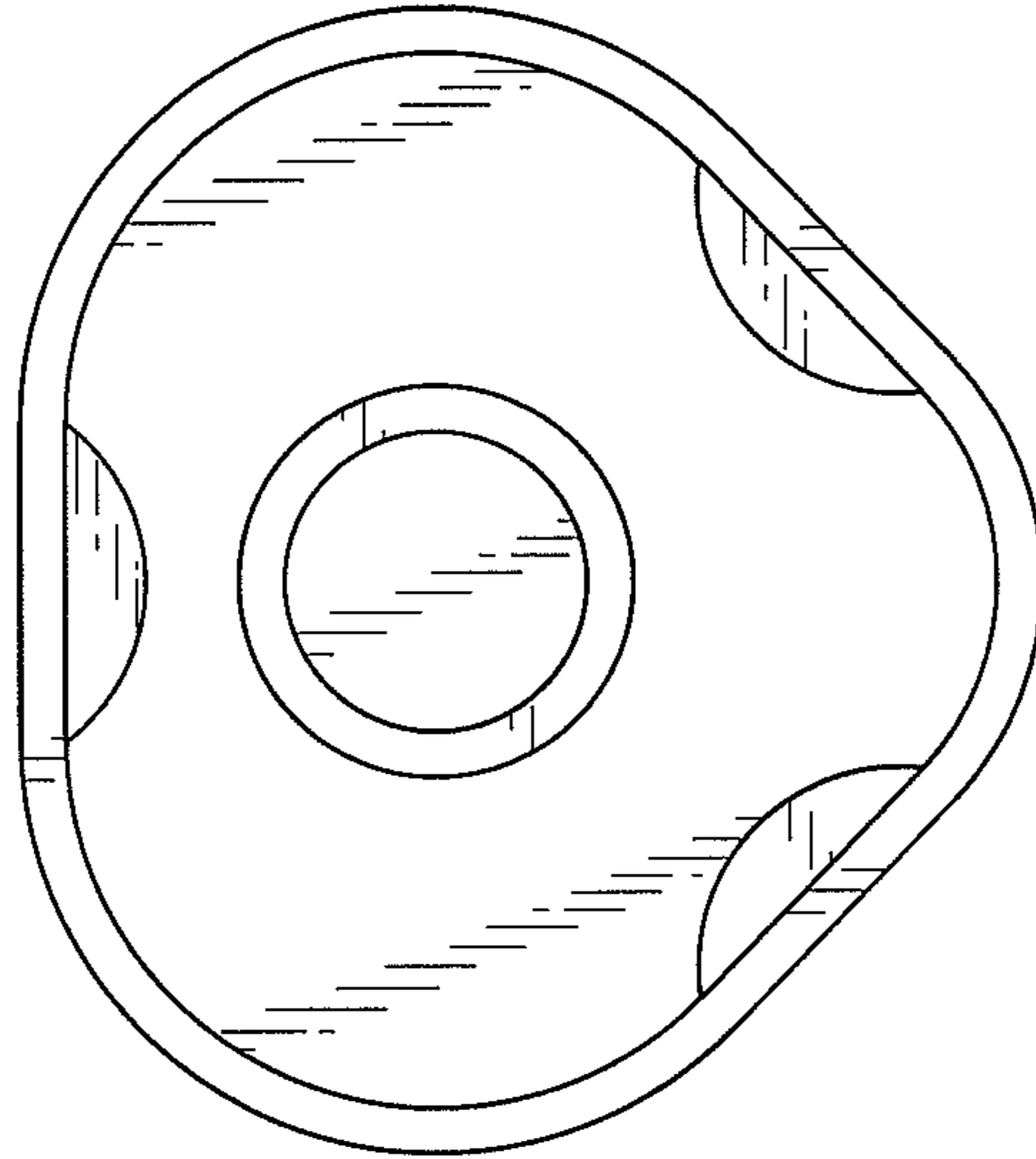


FIG. 18

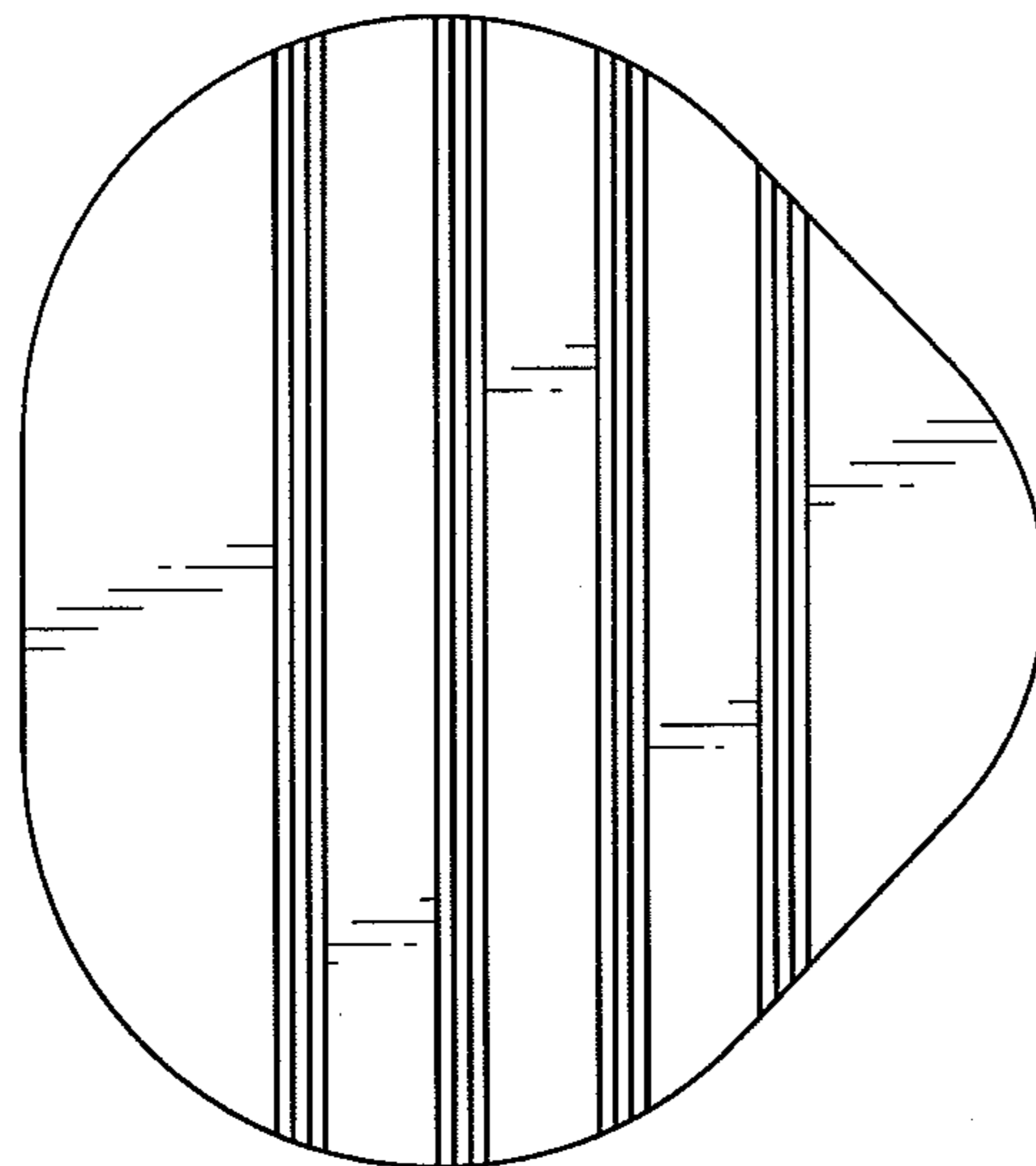


FIG. 19

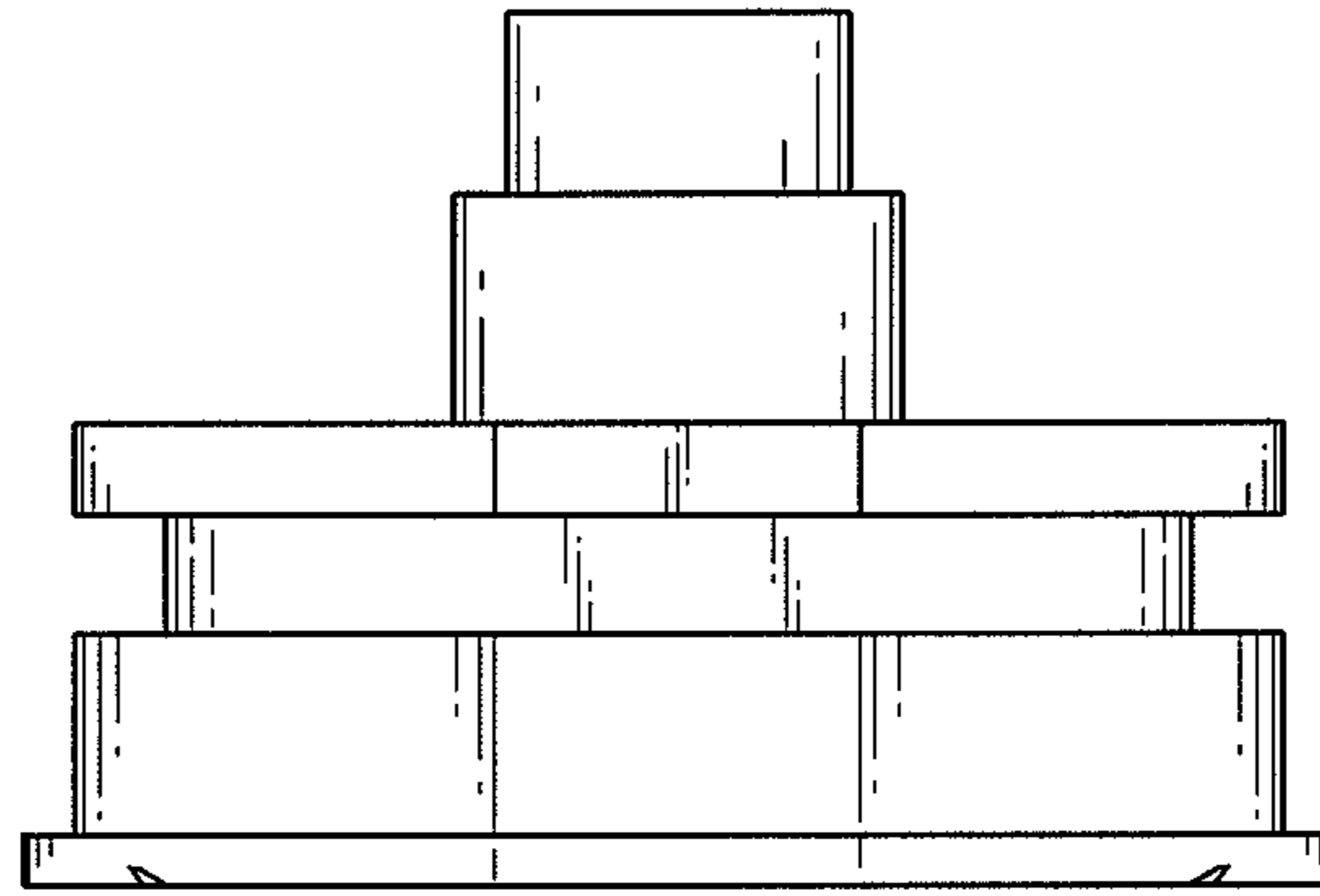


FIG. 20

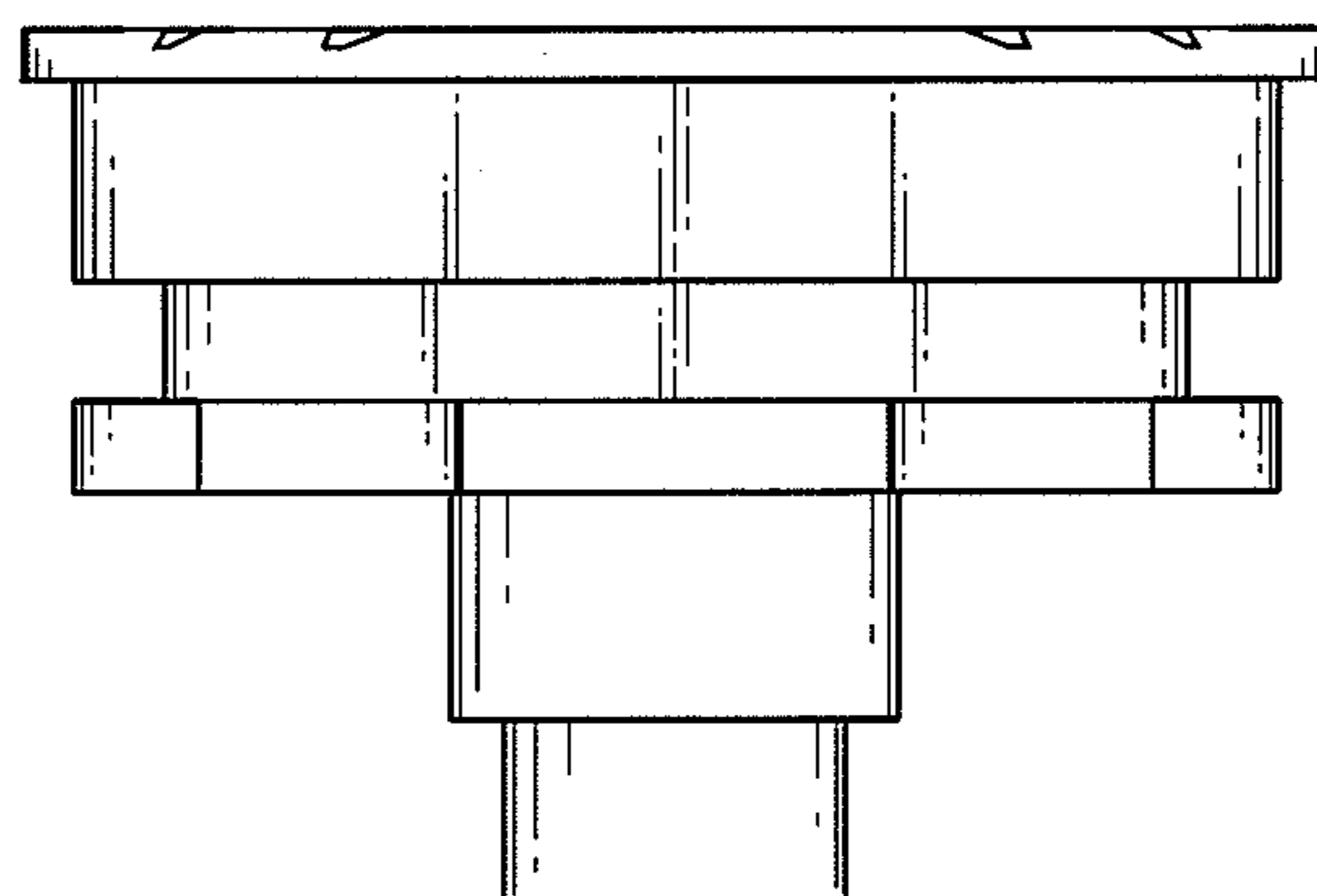


FIG. 21