



US00D753252S

(12) **United States Design Patent**
Schweigert

(10) **Patent No.:** **US D753,252 S**
(45) **Date of Patent:** **** Apr. 5, 2016**

- (54) **GOLF CLUB HEAD**
- (71) Applicant: **PARSONS XTREME GOLF, LLC**,
Scottsdale, AZ (US)
- (72) Inventor: **Bradley D. Schweigert**, Anthem, AZ
(US)
- (73) Assignee: **PARSONS XTREME GOLF, LLC**,
Scottsdale, AZ (US)
- (**) Term: **14 Years**
- (21) Appl. No.: **29/518,697**
- (22) Filed: **Feb. 26, 2015**

D335,692 S 5/1993 Antonious
 D336,757 S 6/1993 Antonious
 D350,582 S * 9/1994 Miansian D21/742
 5,429,366 A 7/1995 McCabe
 D363,101 S 10/1995 Sturm

(Continued)

FOREIGN PATENT DOCUMENTS

JP 2005/160691 A 6/2005

OTHER PUBLICATIONS

U.S. Appl. No. 29/503,812, Schweigert, "Golf Club Head," filed Sep. 30, 2014.

(Continued)

Primary Examiner — Mitchell Siegel

Related U.S. Application Data

- (62) Division of application No. 29/503,812, filed on Sep. 30, 2014, now Pat. No. Des. 726,846.
- (51) **LOC (10) Cl.** **21-02**
- (52) **U.S. Cl.**
USPC **D21/759**
- (58) **Field of Classification Search**
USPC D21/733-753, 759
CPC A63B 53/00-53/065; A63B
2053/002-2053/0491
See application file for complete search history.

(57) **CLAIM**

The ornamental design for a golf club head, as shown and described.

DESCRIPTION

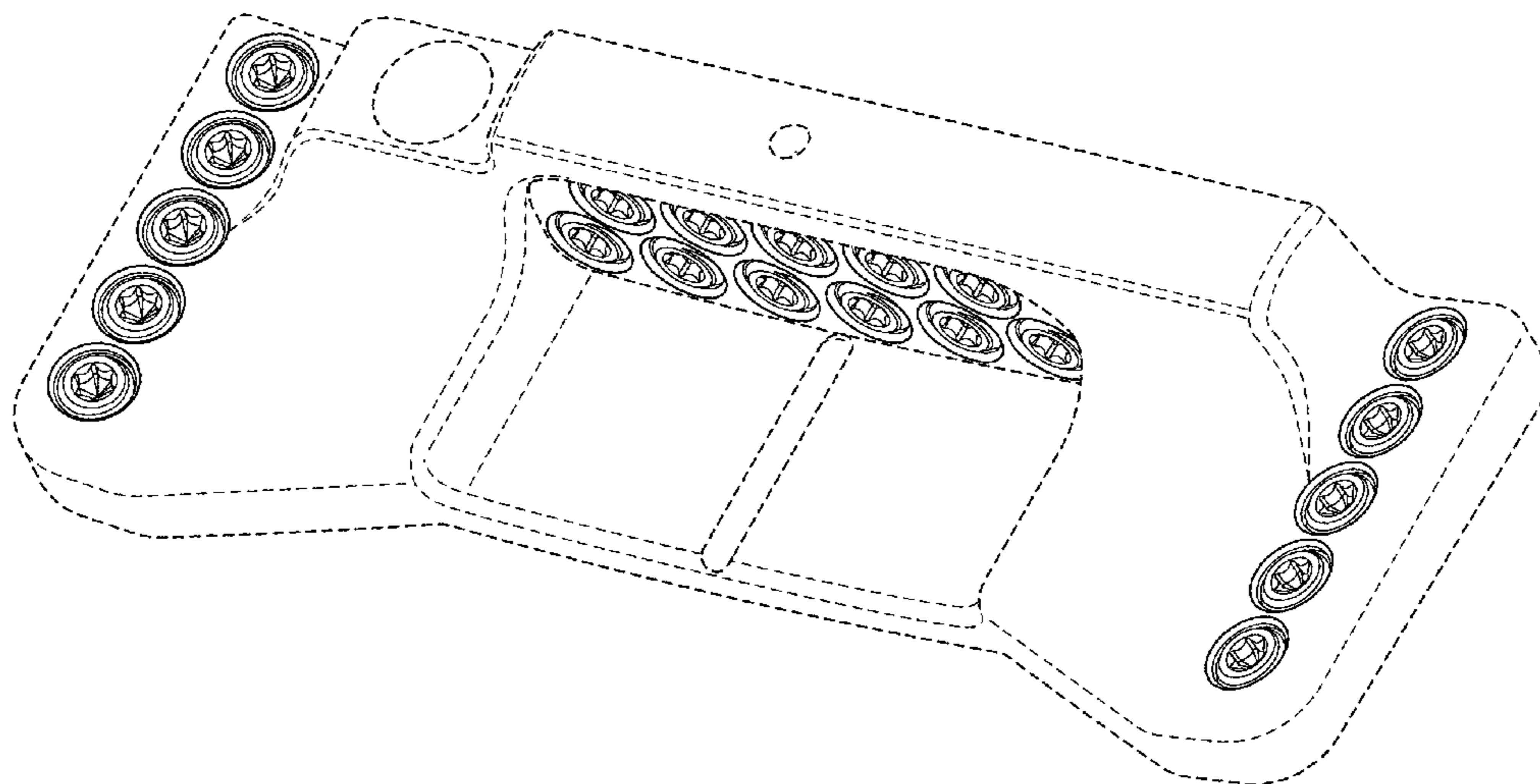
FIG. 1 is a top perspective view of a golf club head;
 FIG. 2 is a bottom perspective view of the golf club head of FIG. 1;
 FIG. 3 is a front elevational view of the golf club head of FIG. 1;
 FIG. 4 is a rear elevational view of the golf club head of FIG. 1;
 FIG. 5 is a top view of the golf club head of FIG. 1;
 FIG. 6 is a bottom view of the golf club head of FIG. 1;
 FIG. 7 is a left side view of the golf club head of FIG. 1; and,
 FIG. 8 is a right side view of the golf club head of FIG. 1.
 The broken lines connecting the solid lines represent the bounds of the claim. The remaining broken lines illustrate the environment. None of the broken lines forms part of the claimed design.

(56) **References Cited**

U.S. PATENT DOCUMENTS

- 922,444 A * 5/1909 Youds A63B 53/047
473/342
- RE19,178 E * 5/1934 Spiker A63B 53/0487
473/251
- 4,043,562 A 8/1977 Shillington
- 4,754,977 A * 7/1988 Sahm A63B 53/04
473/337
- 4,869,507 A 9/1989 Sahm
- D335,317 S 5/1993 Shearer

1 Claim, 8 Drawing Sheets



(56)

References Cited

U.S. PATENT DOCUMENTS

D365,864 S 1/1996 Sturm
 5,489,097 A 2/1996 Simmons
 D368,751 S 4/1996 Rife
 D369,393 S 4/1996 Takahashi et al.
 5,571,053 A 11/1996 Lane
 D378,688 S 4/1997 Cameron
 D385,609 S * 10/1997 Cameron D21/742
 5,683,307 A 11/1997 Rife
 D388,143 S 12/1997 Huan-Chiang
 D389,207 S * 1/1998 Cameron D21/742
 D398,685 S 9/1998 Masuda
 D399,290 S 10/1998 Sizemore, Jr.
 D399,911 S 10/1998 Nicolette et al.
 5,839,974 A * 11/1998 McAllister A63B 53/0487
 273/DIG. 14

 D405,836 S 2/1999 Nicolette et al.
 D409,701 S 5/1999 Ashcraft et al.
 5,924,938 A * 7/1999 Hines A63B 53/02
 473/307

 D422,655 S * 4/2000 Hicks D21/736
 D426,276 S * 6/2000 Besnard D21/747
 D431,854 S * 10/2000 Cameron D21/759
 D432,192 S 10/2000 Hicks
 D436,151 S 1/2001 Nicolette et al.
 D437,374 S * 2/2001 Cameron D21/759
 D441,820 S 5/2001 Nicolette et al.
 D443,668 S 6/2001 Nicolette et al.
 D443,905 S 6/2001 Nicolette et al.
 D444,833 S 7/2001 Wells et al.
 6,264,571 B1 7/2001 Lekavich
 D449,664 S 10/2001 Beebe et al.
 D449,865 S 10/2001 Fife et al.
 D450,799 S 11/2001 Nicolette et al.
 D451,973 S 12/2001 Wells et al.
 6,348,014 B1 * 2/2002 Chiu A63B 53/065
 473/337

 6,354,959 B1 3/2002 Nicolette et al.
 6,394,910 B1 5/2002 McCarthy
 D472,949 S 4/2003 Serrano et al.
 D474,821 S 5/2003 Wells et al.
 D483,086 S 12/2003 Schweigert et al.
 D486,872 S 2/2004 Schweigert et al.
 D498,276 S 11/2004 Schweigert et al.
 6,902,496 B2 6/2005 Solheim et al.
 D512,116 S * 11/2005 Mirafior D21/759
 6,988,956 B2 1/2006 Cover et al.
 D520,088 S 5/2006 Parr
 D531,242 S 10/2006 Adams
 D532,067 S 11/2006 Soracco et al.
 7,153,220 B2 12/2006 Lo
 D534,595 S * 1/2007 Hasebe D21/747
 7,156,752 B1 1/2007 Bennett
 D536,401 S * 2/2007 Kawami D21/759
 D536,403 S * 2/2007 Kawami D21/759
 D538,371 S * 3/2007 Kawami D21/759
 7,204,765 B2 4/2007 Cover et al.
 D542,869 S 5/2007 Adams
 D543,598 S 5/2007 Kuan et al.
 D543,601 S * 5/2007 Kawami D21/759
 D555,219 S * 11/2007 Lin D21/759
 D556,277 S 11/2007 Broom
 D561,854 S 2/2008 Morris
 7,331,876 B2 2/2008 Klein
 7,351,162 B2 4/2008 Soracco et al.
 D569,461 S 5/2008 Morris
 D569,930 S 5/2008 Nehrbas
 7,396,289 B2 7/2008 Soracco et al.
 D577,085 S 9/2008 Nicolette et al.
 D577,086 S 9/2008 Nicolette et al.
 D579,506 S 10/2008 Nicolette et al.
 D579,995 S 11/2008 Nicolette et al.
 D582,497 S 12/2008 Rollinson
 7,473,189 B2 1/2009 Schweigert et al.
 7,491,131 B2 2/2009 Vinton
 D599,425 S 9/2009 Laub

D600,763 S * 9/2009 Cameron D21/759
 7,744,485 B2 6/2010 Jones et al.
 D620,993 S 8/2010 Laub
 D623,709 S 9/2010 Serrano et al.
 D631,925 S 2/2011 Broom
 7,887,432 B2 2/2011 Jones et al.
 7,909,707 B2 3/2011 Klein
 7,918,745 B2 4/2011 Morris et al.
 D638,891 S 5/2011 Nicolette et al.
 D642,643 S 8/2011 Nicolette et al.
 D643,485 S 8/2011 Nicolette et al.
 D645,104 S 9/2011 Nicolette et al.
 8,096,039 B2 1/2012 Soracco et al.
 D653,718 S 2/2012 Stokke et al.
 D661,753 S * 6/2012 Cameron D21/759
 D666,260 S 8/2012 Cynn
 8,376,878 B2 2/2013 Bennett et al.
 D688,339 S 8/2013 Hilton et al.
 D688,341 S 8/2013 Rollinson
 D691,226 S 10/2013 Hilton et al.
 D699,308 S 2/2014 Rollinson
 D704,782 S 5/2014 Rollinson
 8,721,472 B2 5/2014 Kuan et al.
 8,790,193 B2 7/2014 Serrano et al.
 D711,483 S 8/2014 Wong
 D722,350 S 2/2015 Schweigert
 D722,351 S * 2/2015 Parsons D21/736
 D722,352 S * 2/2015 Nicolette D21/747
 D723,120 S * 2/2015 Nicolette D21/747
 D724,164 S 3/2015 Schweigert et al.
 D725,208 S * 3/2015 Schweigert D21/743
 D726,265 S * 4/2015 Nicolette D21/747
 D726,846 S * 4/2015 Schweigert D21/743
 D733,234 S 6/2015 Nicolette
 D738,447 S * 9/2015 Schweigert D21/736
 D738,449 S * 9/2015 Schweigert D21/759
 D739,487 S * 9/2015 Schweigert D21/759
 D741,426 S * 10/2015 Schweigert D21/736
 D746,926 S * 1/2016 Parsons D21/747
 2007/0142122 A1 6/2007 Bonneau
 2007/0207875 A1 9/2007 Kuan et al.
 2007/0238548 A1 10/2007 Johnson
 2008/0139333 A1 6/2008 Klein
 2008/0146372 A1 6/2008 John
 2008/0176672 A1 7/2008 Roach et al.
 2011/0165959 A1 7/2011 Klein
 2013/0165256 A1 6/2013 Stevenson
 2013/0210537 A1 8/2013 Ainscough et al.

OTHER PUBLICATIONS

U.S. Appl. No. 29/506,381, Schweigert, "Golf Club Head," filed Oct. 15, 2014.
 U.S. Appl. No. 29/509,762, Parsons et al., "Golf Club Head," filed Nov. 20, 2014.
 U.S. Appl. No. 29/511,483, Parsons et al., "Golf Club Head," filed Dec. 11, 2014.
 U.S. Appl. No. 29/512,255, Schweigert, "Golf Club Head," filed Dec. 17, 2014.
 U.S. Appl. No. 29/512,512, Schweigert, "Golf Club Head," filed Dec. 19, 2014.
 U.S. Appl. No. 29/512,516, Schweigert, "Golf Club Head," filed Dec. 19, 2014.
 U.S. Appl. No. 14/586,720, Parsons et al., "Golf Club Heads and Methods to Manufacture Golf Club Heads," filed Dec. 30, 2014.
 U.S. Appl. No. 29/518,697, Schweigert, "Golf Club Head," filed Feb. 26, 2015.
 U.S. Appl. No. 29/523,587, Schweigert, "Golf Club Head," filed Apr. 10, 2015.
 U.S. Appl. No. 29/509,762, Parsons et al., Golf Club Head, filed Nov. 20, 2014.
 U.S. Appl. No. 29/511,483, Parsons et al., Golf Club Head, filed Dec. 11, 2014.
 U.S. Appl. No. 14/686,466, Schweigert, "Golf Club Head," filed Apr. 14, 2015.

(56)

References Cited

OTHER PUBLICATIONS

TourSpecGolf (Gold's Factory Multi Weighted Custom Putter)
[online]. Nov. 20, 2010 [retrieved Jul. 7, 2015]. Retrieved from the

internet: <URL: <http://www.toursecgolf.com/blog/golds-factory-multi-weighted-custom-putter/>>.
International Search Report and Written Opinion issued in connection with corresponding application No. PCT/US15/27841 on Jul. 30, 2015 (14 pages).

* cited by examiner

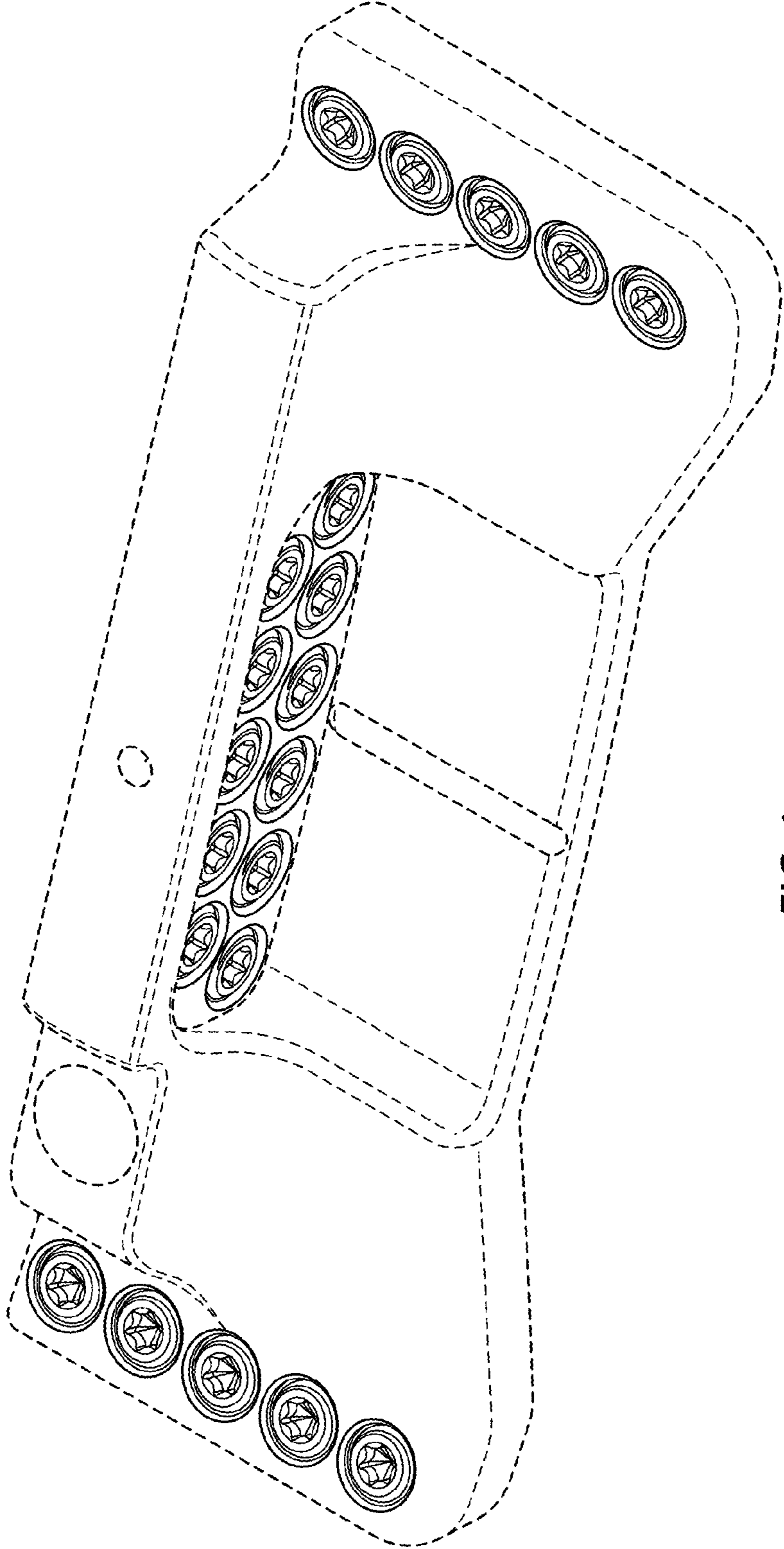


FIG. 1

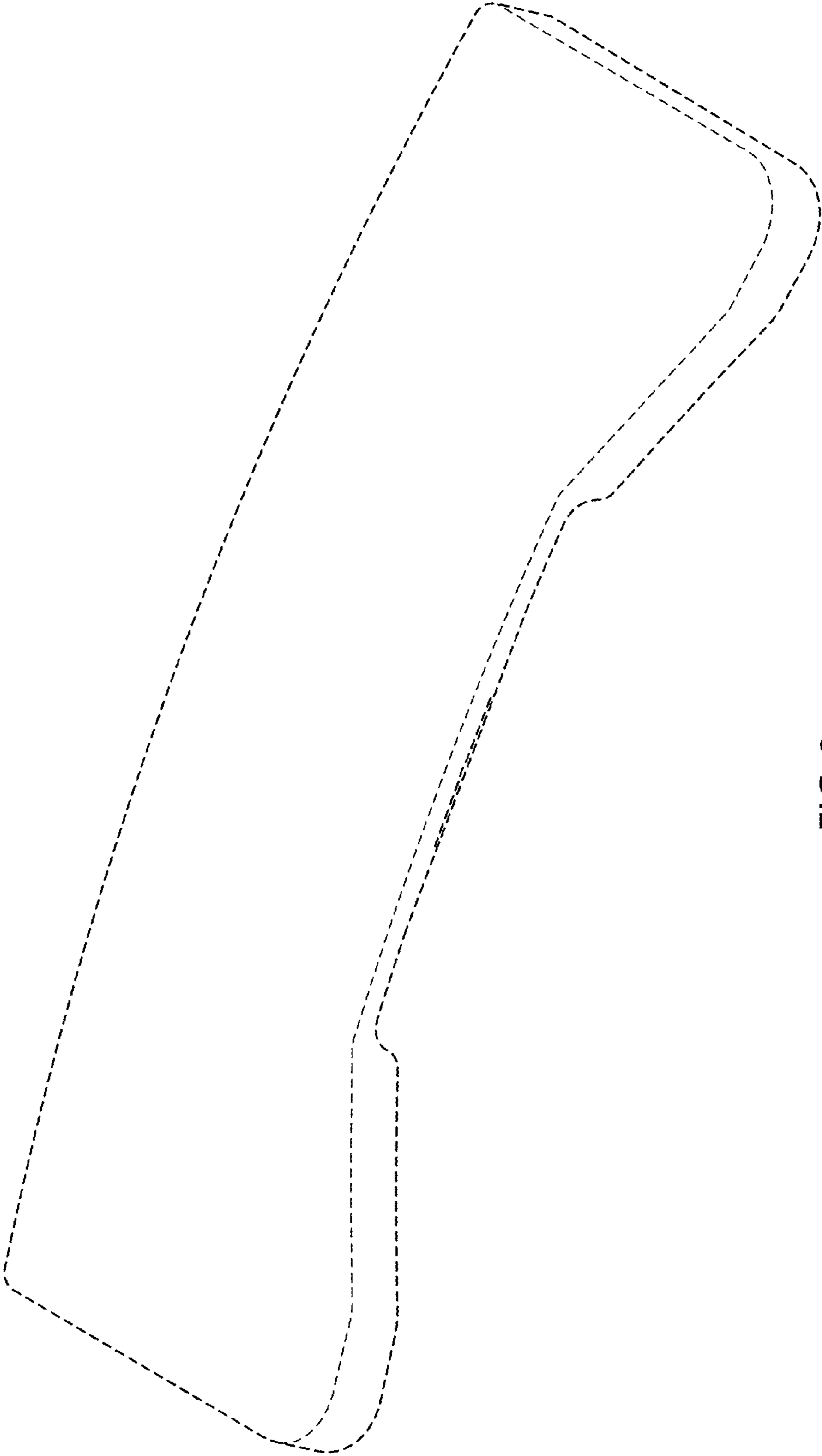


FIG. 2

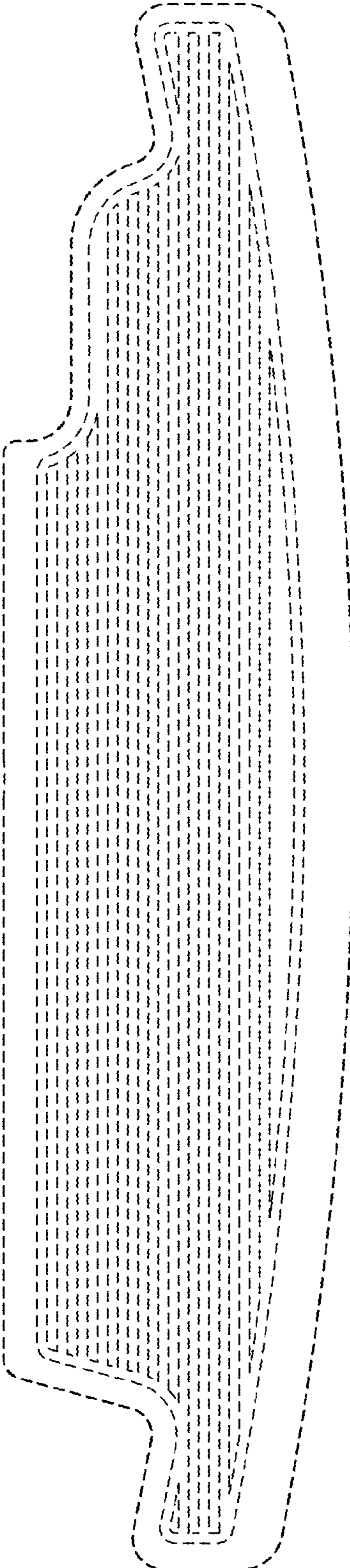


FIG. 3

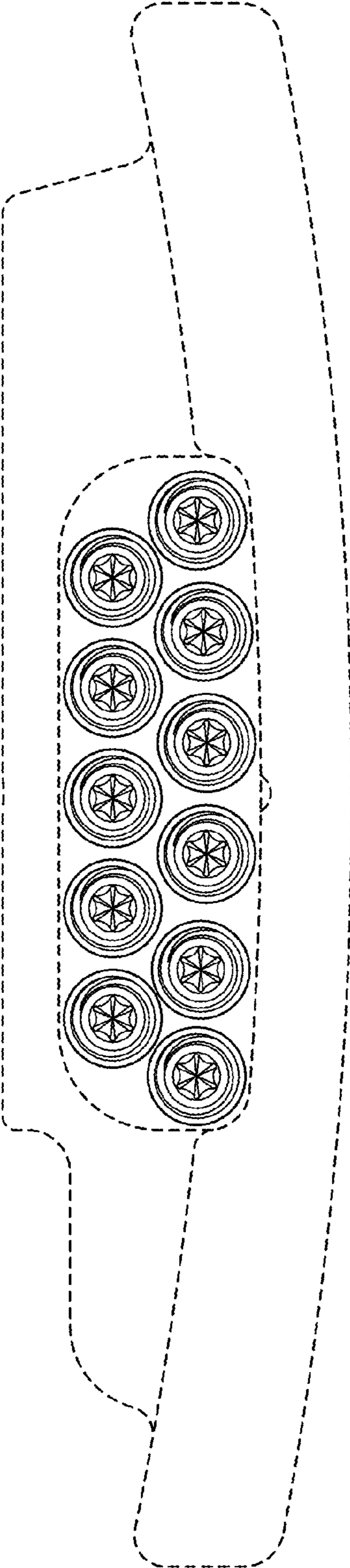


FIG. 4

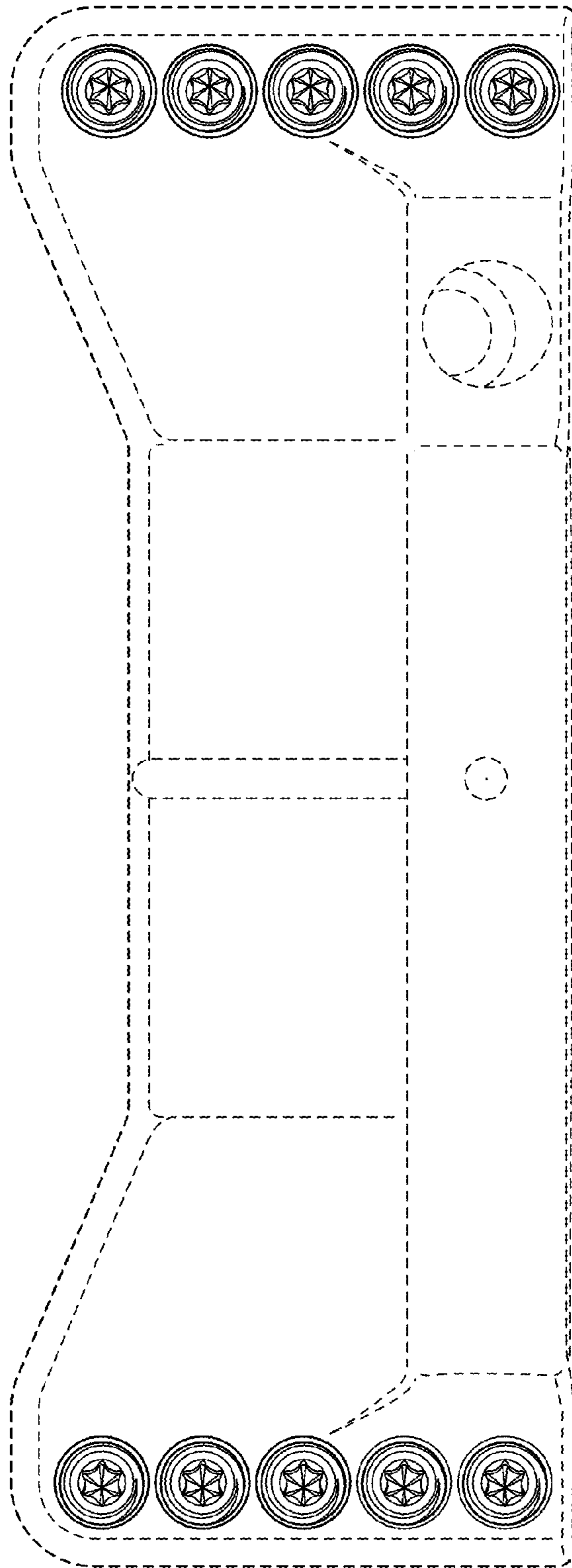


FIG. 5

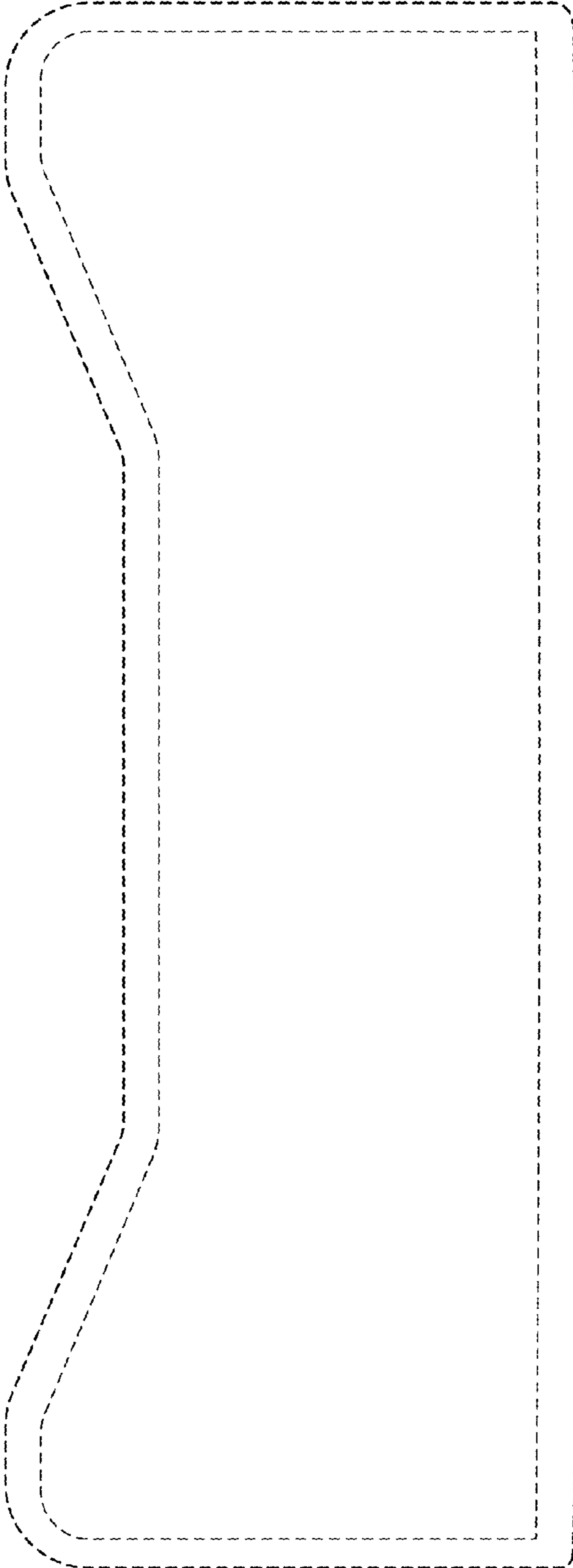


FIG. 6

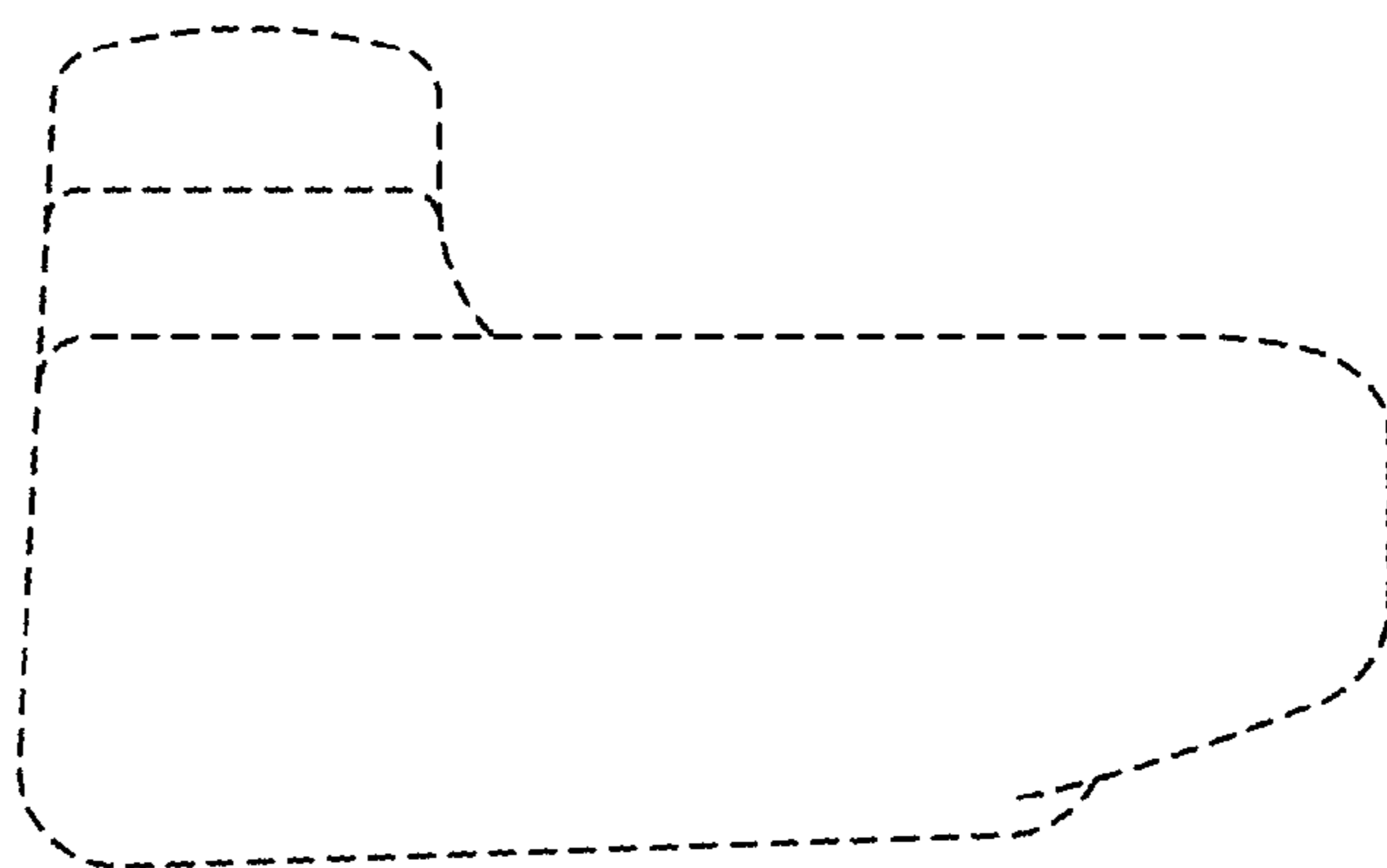


FIG. 7

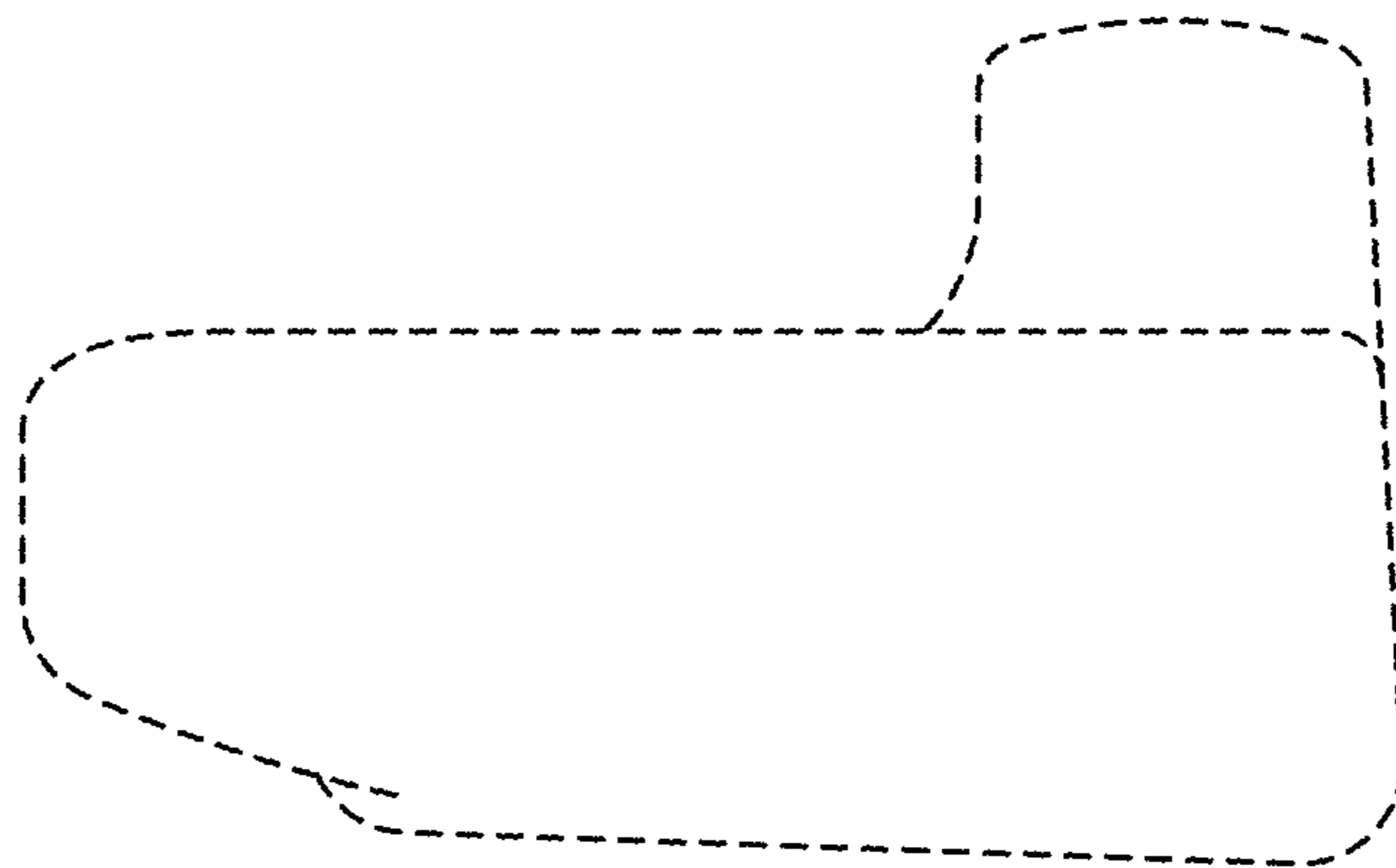


FIG. 8