



US00D753247S

(12) **United States Design Patent**
Flick

(10) **Patent No.:** **US D753,247 S**
(45) **Date of Patent:** **** Apr. 5, 2016**

(54) **DUMBBELL BRIDGE**
(71) Applicant: **Nautilus, Inc.**, Vancouver, WA (US)
(72) Inventor: **Edward L. Flick**, Brush Prairie, WA (US)
(73) Assignee: **NAUTILUS, INC.**, Vancouver, WA (US)

6,679,816 B1 1/2004 Krull
6,719,674 B2 4/2004 Krull
6,733,424 B2 5/2004 Krull
6,746,381 B2 6/2004 Krull
6,749,547 B2* 6/2004 Krull 482/106
6,793,607 B2 9/2004 Neil
D498,272 S 11/2004 Sanford-Schwentke et al.
D500,820 S * 1/2005 Krull D21/681

(Continued)

(**) Term: **14 Years**

FOREIGN PATENT DOCUMENTS

(21) Appl. No.: **29/493,903**

EP 2586502 A1 5/2013
WO 2009/013679 A2 1/2009

(22) Filed: **Jun. 13, 2014**

(Continued)

(51) **LOC (10) Cl.** **21-02**

(52) **U.S. Cl.**

USPC **D21/694**; D21/681

(58) **Field of Classification Search**

USPC D21/662, 677-682, 685, 686, 692, 694, D21/684; D6/552

CPC A63B 21/0728; A63B 21/00065; A63B 2250/50; A63B 2021/0623; A63B 2220/40; A63B 2243/0029; A63B 2220/12;

A63B 21/062; A63B 2220/13; A63B 69/3632;

A63B 21/075; A63B 21/063; A63B 21/0628;

A63B 21/0724; A63B 21/0726; A63B 21/072

See application file for complete search history.

Primary Examiner — George D Kirschbaum

Assistant Examiner — Jennifer Watkins

(74) *Attorney, Agent, or Firm* — Dorsey & Whitney LLP

(57) **CLAIM**

The ornamental design for a dumbbell bridge, as shown and described.

DESCRIPTION

FIG. 1 shows a front perspective view of a dumbbell bridge in accordance with the present design;

FIG. 2 shows a front elevation view of the dumbbell bridge of FIG. 1;

FIG. 3 shows a rear elevation view of the dumbbell bridge of FIG. 1;

FIG. 4 shows a top view of the dumbbell bridge of FIG. 1;

FIG. 5 shows a bottom view of the dumbbell bridge of FIG. 1;

FIG. 6 shows a left elevation view of the dumbbell bridge of FIG. 1; and,

FIG. 7 shows a right elevation view of the dumbbell bridge of FIG. 1.

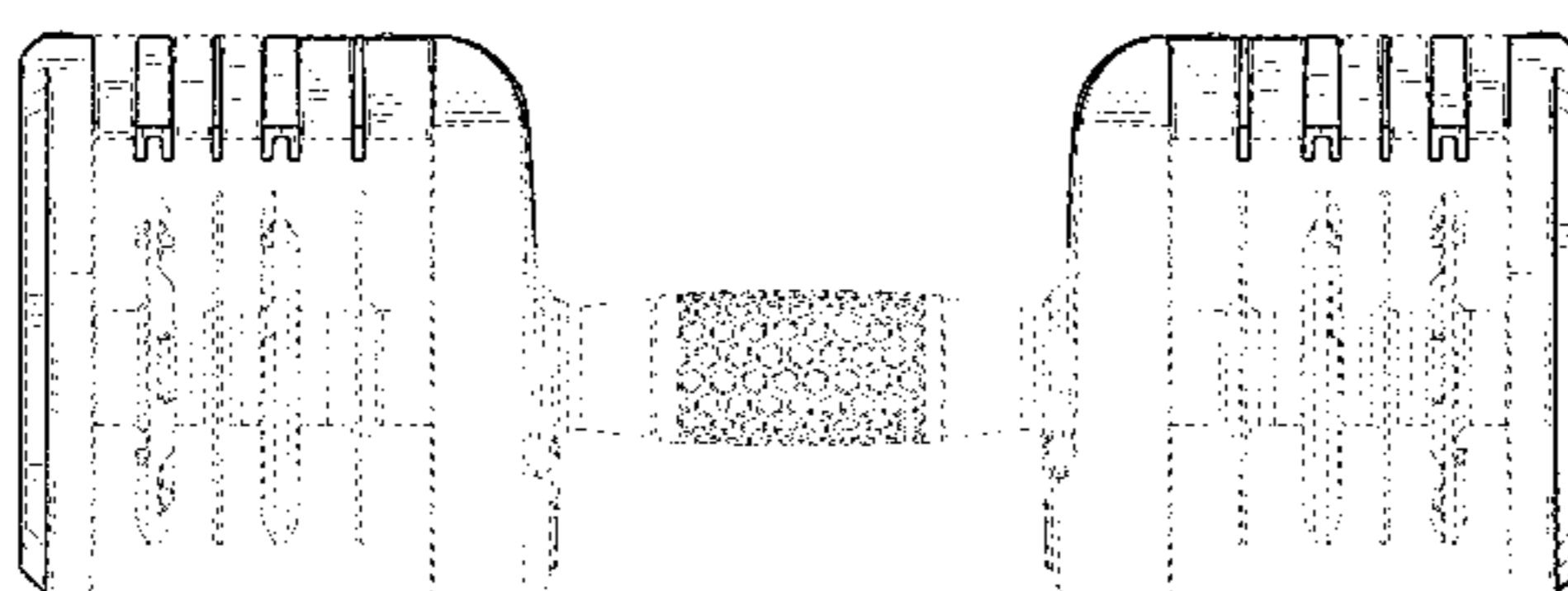
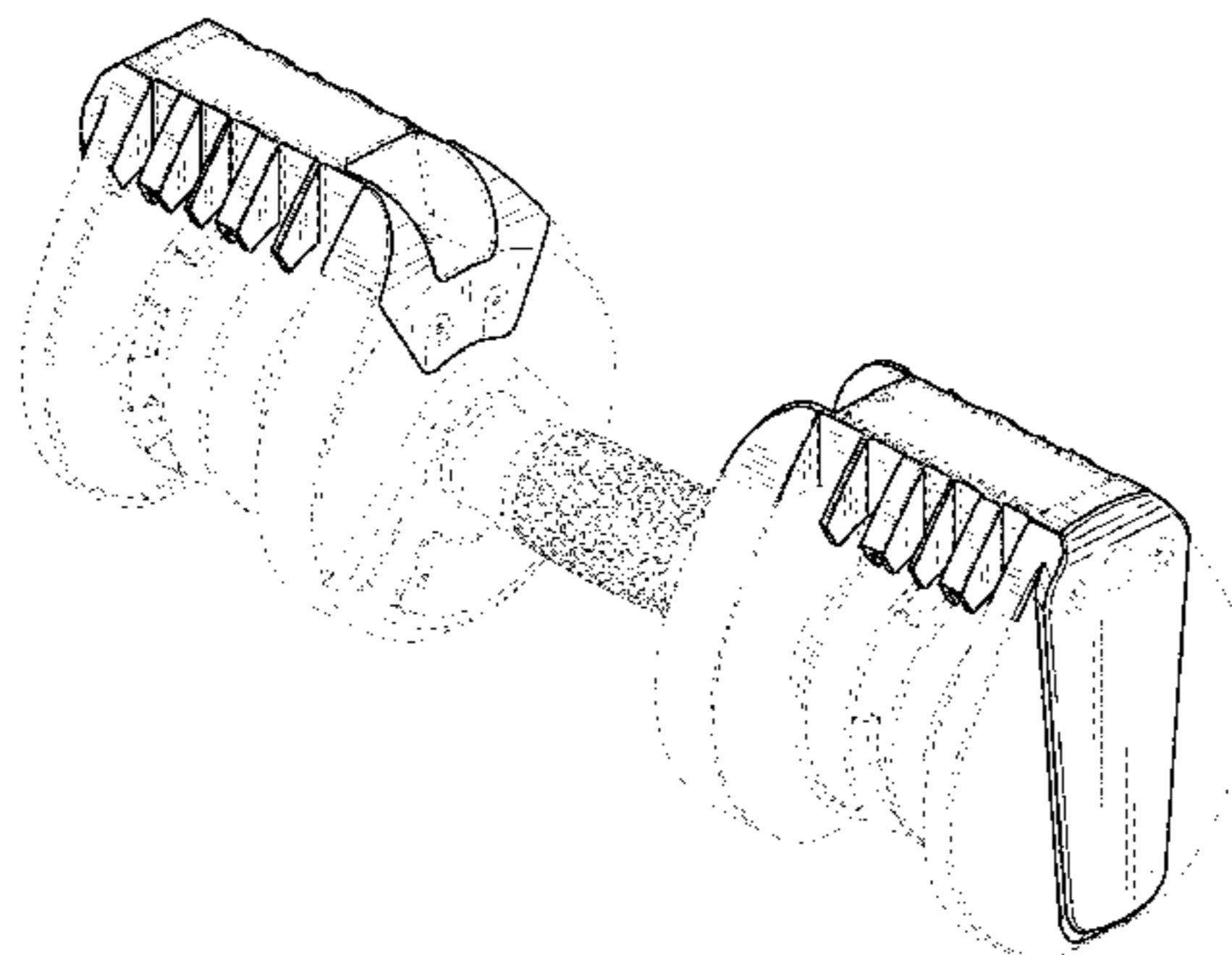
The broken lines illustrate environmental structure and form no part of the claimed design.

(56) **References Cited**

U.S. PATENT DOCUMENTS

5,857,939 A 1/1999 Kaufman
6,033,350 A 3/2000 Krull
D422,654 S 4/2000 Chen
6,099,442 A 8/2000 Krull
6,261,022 B1 7/2001 Dalebout et al.
6,322,481 B1 11/2001 Krull
6,402,666 B2 6/2002 Krull
6,416,446 B1 7/2002 Krull
6,540,650 B1 4/2003 Krull
6,629,910 B1 10/2003 Krull
6,669,606 B2 12/2003 Krull

1 Claim, 6 Drawing Sheets



(56)

References Cited

U.S. PATENT DOCUMENTS

6,855,097 B2 2/2005 Krull
 6,872,173 B2 3/2005 Krull
 6,896,645 B1 5/2005 Krull
 6,899,661 B1 5/2005 Krull
 D508,628 S 8/2005 Crawford et al.
 6,949,052 B2 9/2005 Millington et al.
 6,974,405 B2 12/2005 Krull
 6,997,856 B1 2/2006 Krull
 7,060,011 B1 6/2006 Krull
 7,066,867 B2 6/2006 Krull
 7,077,790 B1 7/2006 Krull
 D528,173 S 9/2006 Flick et al.
 D528,611 S 9/2006 Flick et al.
 7,128,696 B1 10/2006 Krull
 7,128,697 B1 10/2006 Krull
 7,137,931 B2* 11/2006 Liu 482/107
 7,153,243 B1 12/2006 Krull
 D540,405 S 4/2007 Crawford et al.
 D540,894 S 4/2007 Crawford et al.
 7,223,214 B2* 5/2007 Chen 482/107
 7,261,678 B2* 8/2007 Crawford et al. 482/107
 7,264,578 B1 9/2007 Krull
 7,291,098 B1 11/2007 Krull
 7,300,390 B1 11/2007 Krull
 7,387,597 B2 6/2008 Krull
 7,470,216 B2 12/2008 Farinelli et al.
 D584,086 S 1/2009 Gettle
 7,485,077 B2* 2/2009 Chen 482/108
 7,497,813 B1 3/2009 Krull
 7,497,814 B1 3/2009 Krull
 7,520,845 B2* 4/2009 Towley et al. 482/106
 7,547,268 B1 6/2009 Krull
 7,549,952 B2* 6/2009 Towley et al. 482/108
 7,578,771 B1 8/2009 Towley et al.
 7,588,520 B2 9/2009 Nalley
 7,604,577 B2 10/2009 Lin
 7,608,021 B1 10/2009 Nalley
 7,614,982 B2 11/2009 Douglas et al.
 7,614,983 B1 11/2009 Krull
 7,621,855 B1 11/2009 Krull
 7,625,322 B1 12/2009 Krull
 7,648,448 B2 1/2010 Krull
 D610,636 S 2/2010 Golesh et al.
 7,678,030 B2 3/2010 Savage
 7,704,197 B2* 4/2010 Yu 482/108
 D617,854 S 6/2010 Gettle
 7,794,359 B1 9/2010 Lannon et al.
 7,874,958 B1 1/2011 Ramsey, Sr.

D639,358 S 6/2011 Rauwerdink
 D639,359 S 6/2011 Rauwerdink
 7,981,012 B1 7/2011 Krull
 D643,481 S 8/2011 Rauwerdink
 8,002,680 B2 8/2011 Crawford et al.
 8,007,415 B1 8/2011 Lundquist
 8,038,576 B2 10/2011 Farinelli et al.
 8,075,458 B2 12/2011 Nalley
 8,105,207 B1 1/2012 Lannon et al.
 8,105,209 B2 1/2012 Lannon et al.
 8,217,797 B2 7/2012 Ikoyan
 8,287,438 B2 10/2012 Krull
 8,337,364 B2 12/2012 Ishii et al.
 8,747,282 B2 6/2014 Lannon et al.
 8,749,380 B2 6/2014 Vock et al.
 8,913,134 B2 12/2014 Goree et al.
 8,932,188 B2 1/2015 Svenberg
 D737,907 S 9/2015 Flick
 2002/0128127 A1 9/2002 Chen
 2003/0148862 A1 8/2003 Chen et al.
 2004/0162198 A1* 8/2004 Towley et al. 482/107
 2005/0065003 A1 3/2005 Klotzki
 2005/0227831 A1 10/2005 Mills et al.
 2006/0084422 A1 4/2006 Huang et al.
 2007/0184945 A1* 8/2007 Lin 482/107
 2008/0026921 A1* 1/2008 Liu 482/107
 2008/0064575 A1* 3/2008 Towley et al. 482/107
 2009/0186748 A1 7/2009 Golesh et al.
 2010/0184570 A1 7/2010 Cheng
 2010/0304938 A1 12/2010 Olson
 2010/0323856 A1* 12/2010 Svenberg et al. 482/108
 2011/0028285 A1* 2/2011 Towley et al. 482/108
 2011/0092345 A1* 4/2011 Svenberg et al. 482/107
 2012/0021877 A1* 1/2012 Lundquist et al. 482/107
 2012/0115689 A1* 5/2012 Dalebout et al. 482/107
 2012/0264575 A1* 10/2012 Towley et al. 482/107
 2012/0309597 A1 12/2012 Liu
 2013/0090212 A1 4/2013 Wang
 2013/0171599 A1 7/2013 Bleich et al.
 2013/0288859 A1 10/2013 Watterson
 2014/0235409 A1 8/2014 Salmon et al.
 2014/0243168 A1 8/2014 Razzaq
 2014/0248996 A1 9/2014 Adel
 2014/0274596 A1 9/2014 Krull
 2014/0349820 A1 11/2014 Wang

FOREIGN PATENT DOCUMENTS

WO 2009070083 A1 6/2009
 WO 2013/151770 A1 10/2013

* cited by examiner

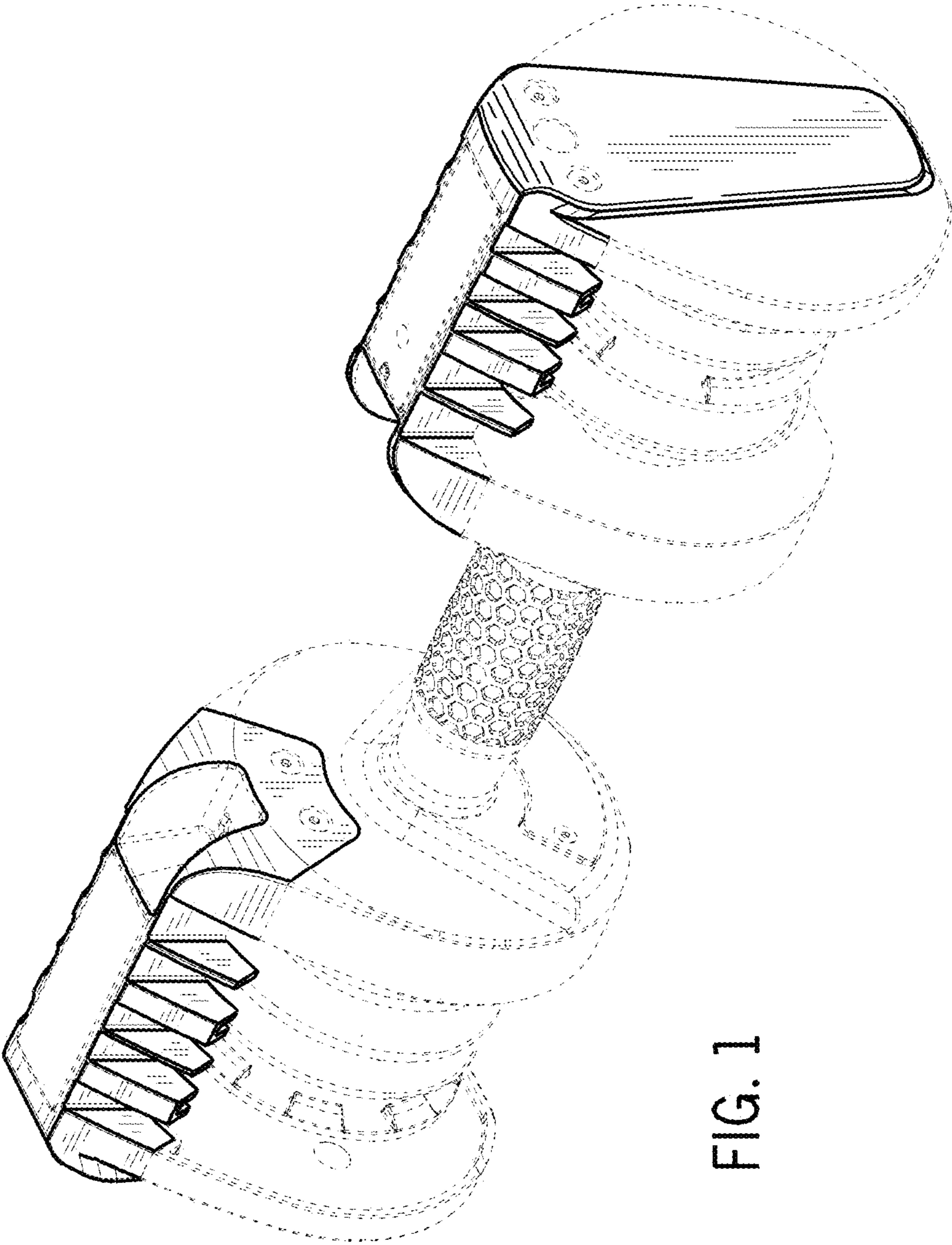


FIG. 1

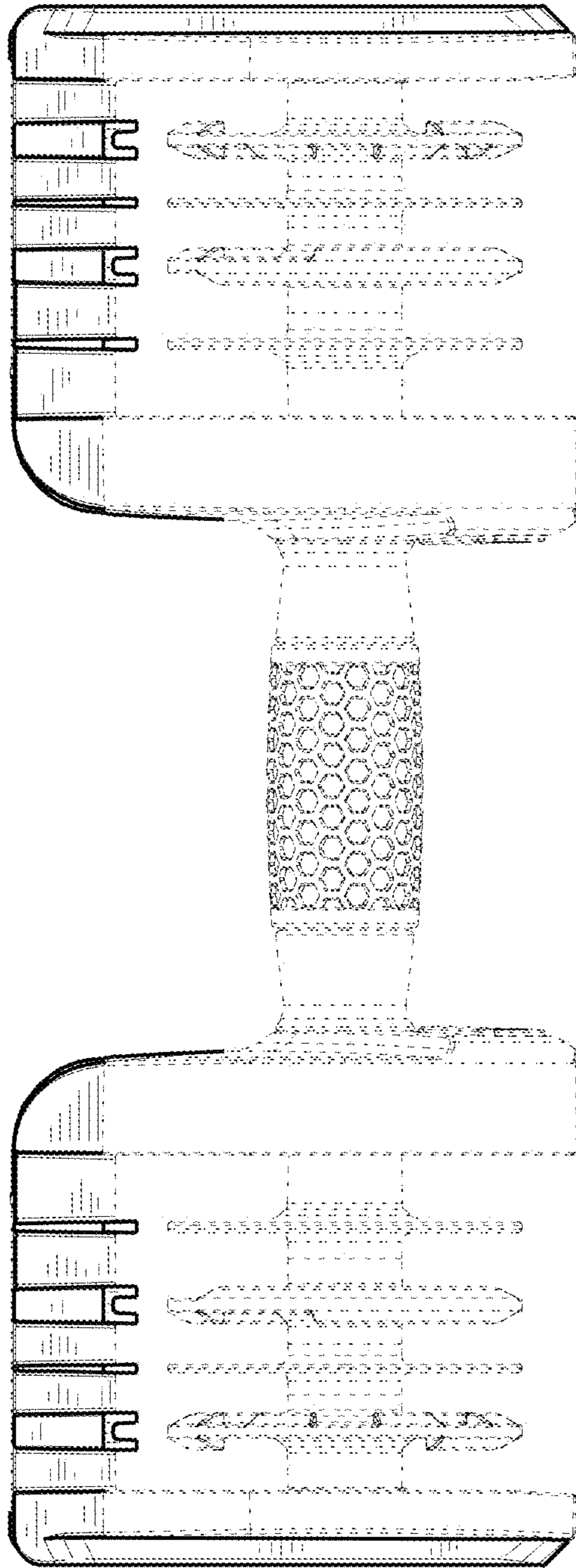


FIG. 2

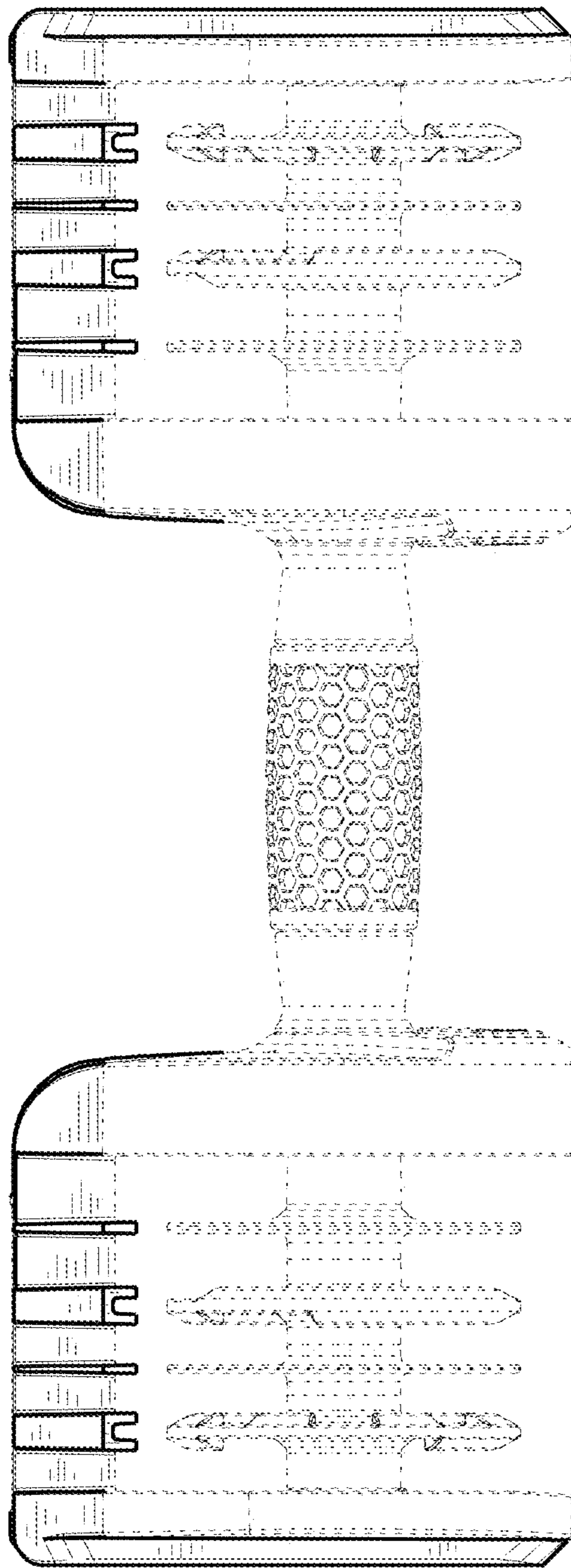


FIG. 3

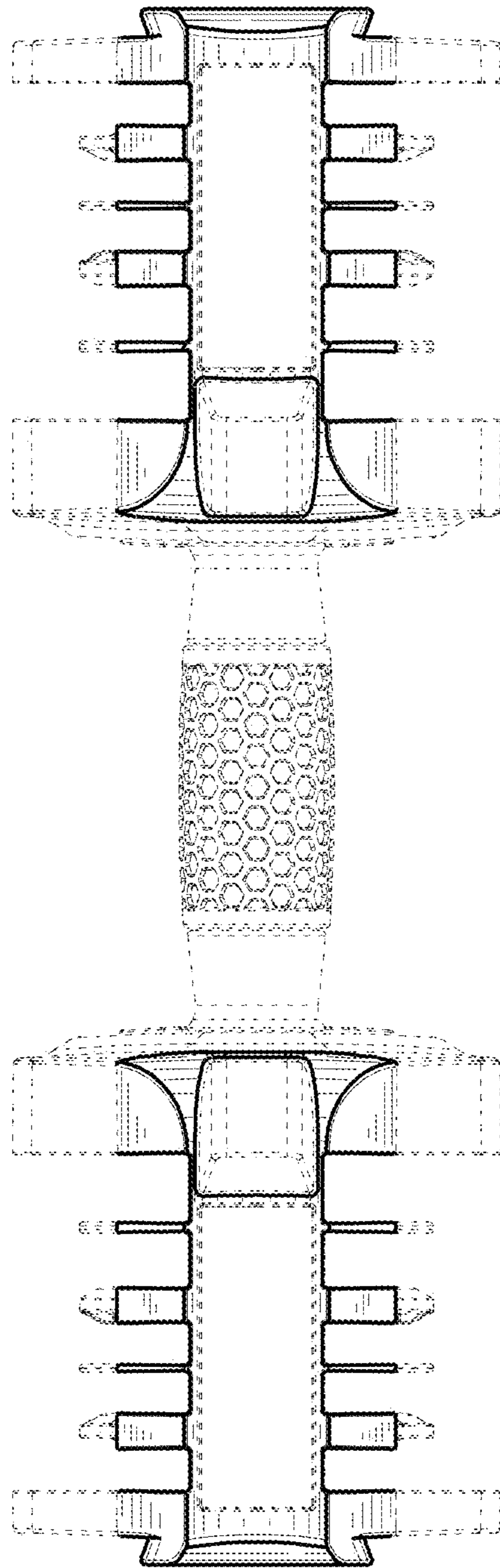


FIG. 4

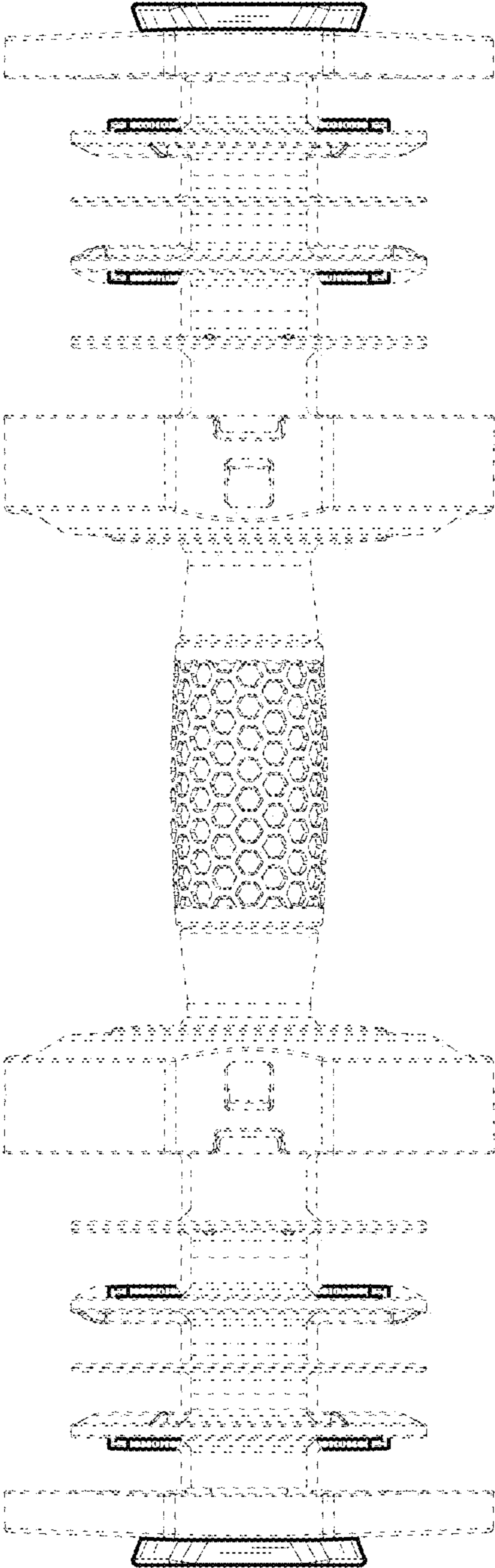


FIG. 5

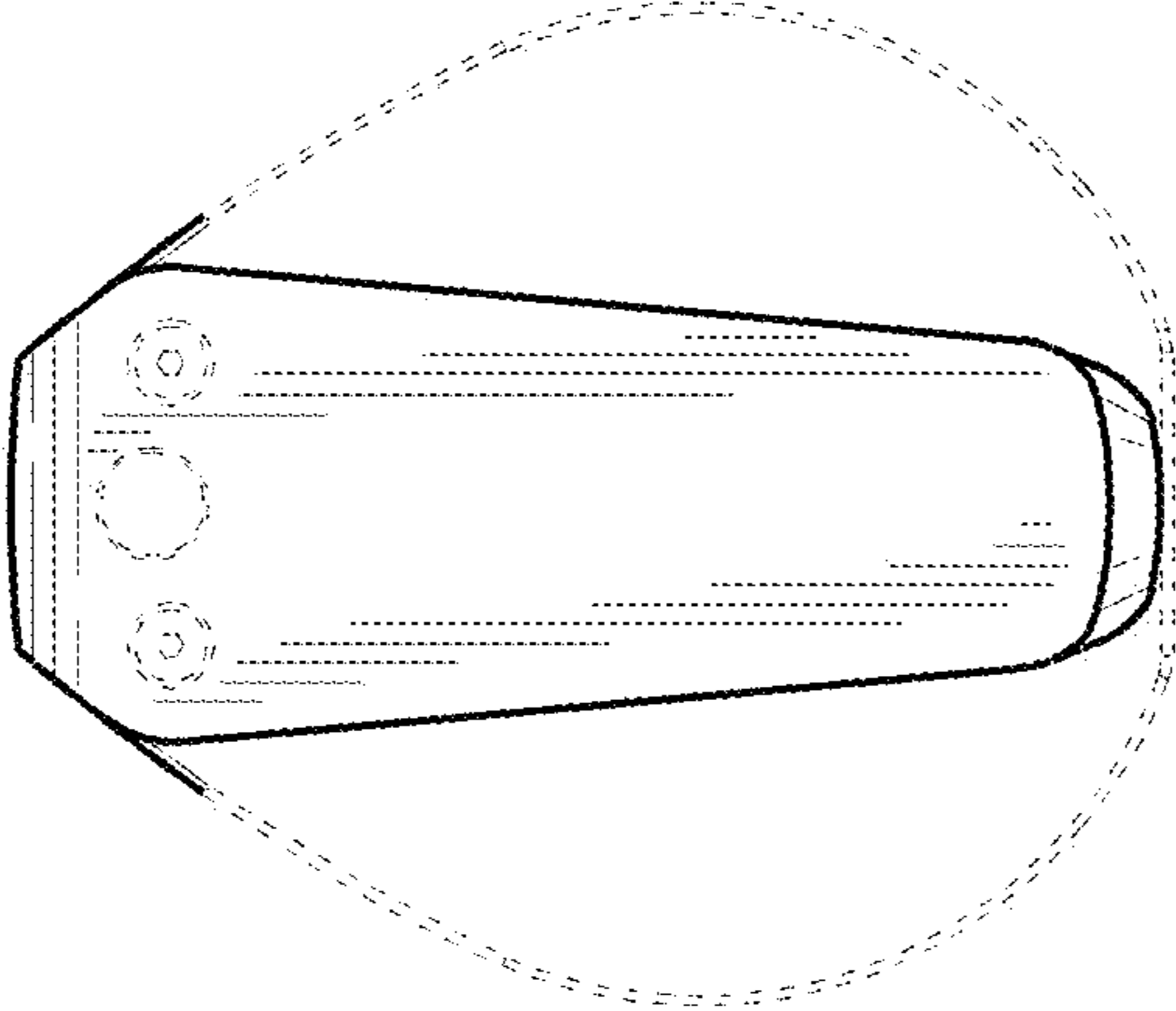


FIG. 6

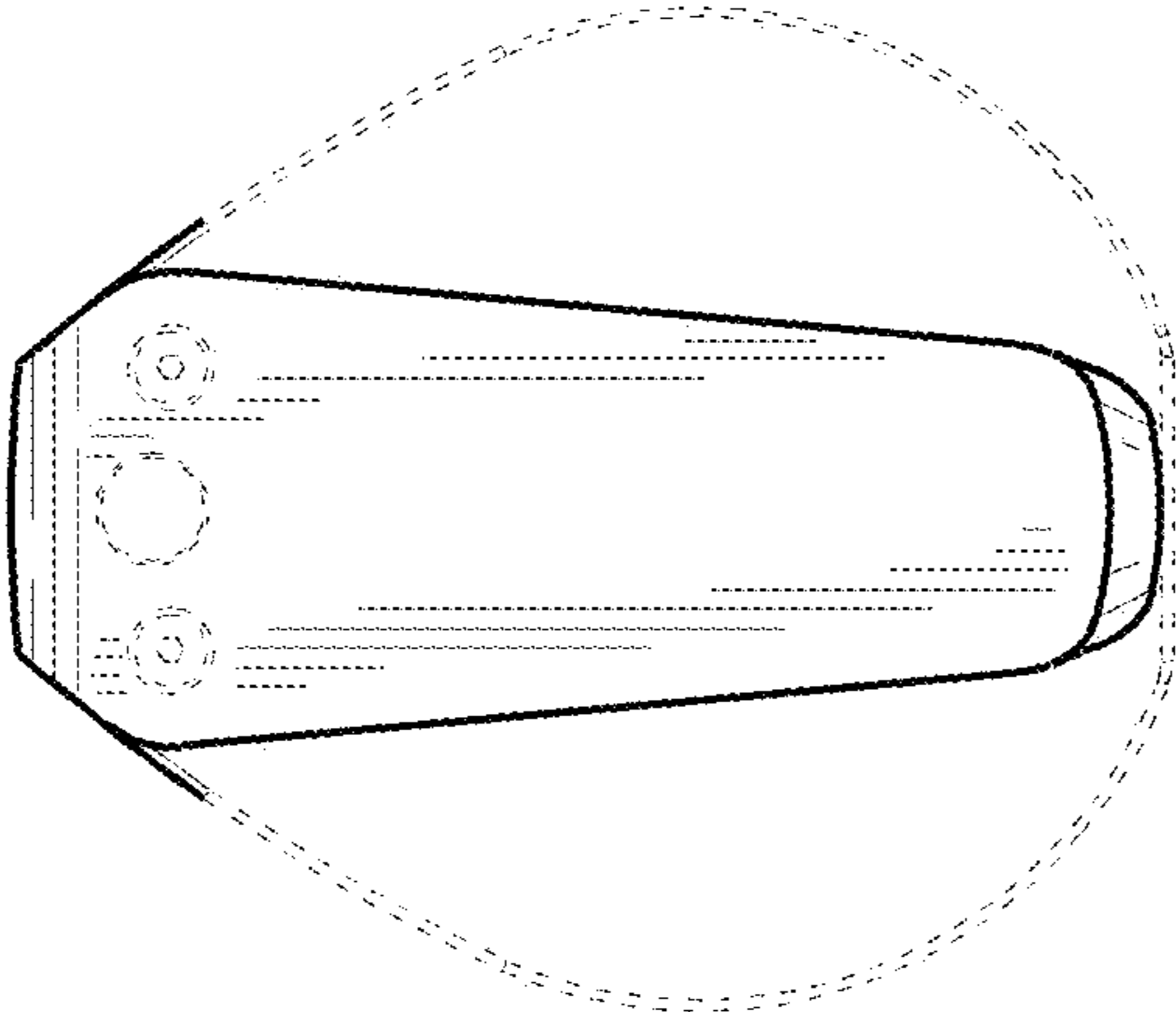


FIG. 7