



US00D753246S

(12) **United States Design Patent**
Kaye et al.

(10) **Patent No.:** **US D753,246 S**
(45) **Date of Patent:** **** *Apr. 5, 2016**

(54) **STRENGTH TRAINING AND STRETCHING MACHINE**

(71) Applicant: **ARQEX OUTDOOR FITNESS SYSTEMS, LLC**, Rye Brook, NY (US)

(72) Inventors: **Eric A. Kaye**, Rye Brook, NY (US); **William C. Cesaroni**, Glenview, IL (US); **Morad Ghassemian**, Oak Park, IL (US); **Brian W. Mathews**, Waterman, IL (US); **Eugene L. DiMonte**, Aurora, IL (US); **Donovan D. Zielke**, Laguna Nigel, CA (US); **Steven M. Lenz**, Naperville, IL (US)

(73) Assignee: **ARQEX OUTDOOR FITNESS SYSTEMS, LLC**, Rye Brook, NY (US)

(*) Notice: This patent is subject to a terminal disclaimer.

(**) Term: **14 Years**

(21) Appl. No.: **29/514,827**

(22) Filed: **Jan. 16, 2015**

Related U.S. Application Data

(63) Continuation-in-part of application No. 13/836,359, filed on Mar. 15, 2013.

(51) **LOC (10) Cl.** **21-02**

(52) **U.S. Cl.**
USPC **D21/686**

(58) **Field of Classification Search**
USPC D6/552; D21/686, 676, 687, 662, 674, D21/666, 673, 690, 679, 694, 691, 675, D21/688; 211/85.7; 206/579; 135/122; 52/83, 27; 482/145, 23, 2, 72, 57, 62, 482/60, 142, 104, 131, 96, 132, 135, 140, 482/121, 130, 95, 92, 73, 144, 143, 907, 482/128, 108, 908, 94, 106, 97, 123, 126,

482/38, 41, 133, 137, 35, 101, 147, 115, 482/138, 91, 70, 110, 52, 71, 8; 136/251; 290/55; 114/264, 382; 472/128; 606/241, 244; 108/4; 5/607, 624; 601/24, 242, 23; 248/300; 29/428
CPC A63B 21/0552; A63B 21/1492; A63B 22/001; A63B 23/0211; A63B 2208/0204; A63B 21/154

See application file for complete search history.

(56) **References Cited**

U.S. PATENT DOCUMENTS

163,957 A 6/1875 Wood
3,345,067 A 10/1967 Smith
3,598,406 A 8/1971 Robinson
D265,575 S * 7/1982 Lunford D21/691

(Continued)

FOREIGN PATENT DOCUMENTS

DE 102010051083 8/2011

Primary Examiner — Robert M Spear

Assistant Examiner — Ryan Harvey

(74) *Attorney, Agent, or Firm* — Tarter Krinsky & Drogin LLP

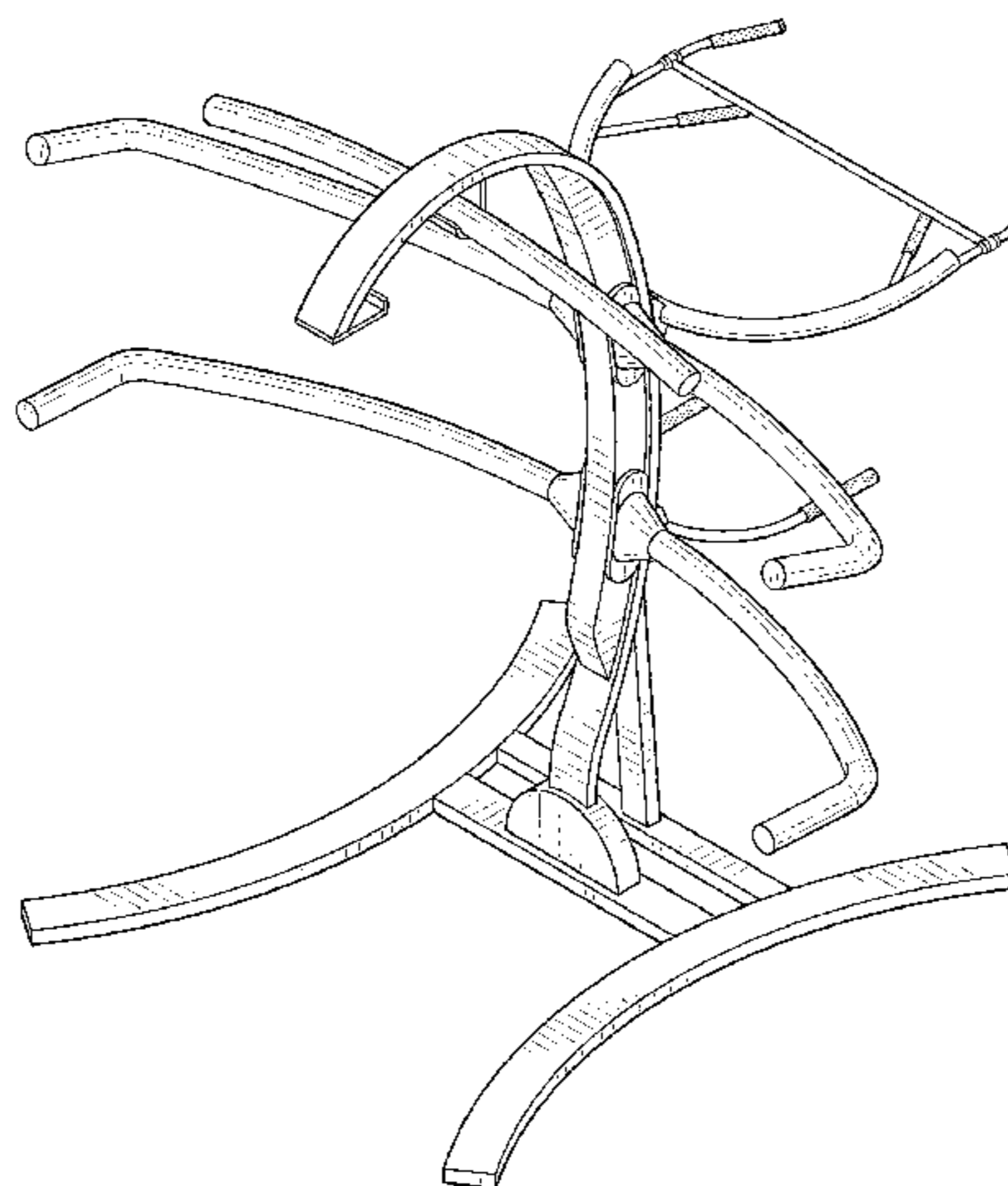
(57) **CLAIM**

The ornamental design for a strength training and stretching machine, as shown and described.

DESCRIPTION

FIG. 1 is a perspective view of the strength training and stretching machine in accordance with our design; FIG. 2 is a front view thereof; FIG. 3 is a top view thereof; FIG. 4 is a right side view thereof; and the left side view will be a mirror image thereof; and, FIG. 5 is a rear view thereof.

1 Claim, 5 Drawing Sheets



(56)

References Cited

U.S. PATENT DOCUMENTS

4,373,716	A	2/1983	Pagani	7,632,221	B1	12/2009	Kolander
4,620,701	A	11/1986	Mojden	7,662,074	B2	2/2010	Webb
D314,025	S *	1/1991	Shimer D21/691	7,736,286	B2	6/2010	Panaiotov
5,039,092	A	8/1991	Olschansky et al.	7,740,568	B2	6/2010	Webb
5,090,694	A	2/1992	Pauls et al.	7,766,804	B2	8/2010	Placencia
5,112,287	A	5/1992	Brewer	7,775,949	B2	8/2010	Bowser
5,205,803	A	4/1993	Zemitis	7,785,242	B2	8/2010	Solomon
5,211,617	A	5/1993	Millen	7,785,243	B2	8/2010	Kassel
5,269,737	A	12/1993	Sobotka	7,794,373	B2	9/2010	Crawford et al.
5,288,074	A	2/1994	Scheurer	7,798,946	B2	9/2010	Dalebout et al.
5,496,246	A	3/1996	Pierre	7,819,787	B2	10/2010	Kassel
D368,747	S *	4/1996	Gifford D21/690	D626,609	S	11/2010	Grider
5,626,546	A	5/1997	Little	7,857,739	B2	12/2010	Caldwell
5,700,232	A	12/1997	Clausen et al.	7,878,954	B2	2/2011	McBride et al.
5,839,997	A	11/1998	Roth et al.	7,892,155	B2	2/2011	Pearson et al.
5,876,313	A	3/1999	Krull	D633,962	S *	3/2011	Stacey D21/691
5,885,196	A	3/1999	Gvoich	7,922,635	B2	4/2011	Lull et al.
5,997,448	A	12/1999	Duba	D639,355	S	6/2011	Kassel
6,033,350	A	3/2000	Krull	D639,356	S	6/2011	Kassel
6,099,442	A	8/2000	Krull	D644,700	S	9/2011	Kassel
6,142,919	A	11/2000	Jorgensen	D645,919	S	9/2011	Kassel et al.
6,186,927	B1	2/2001	Krull	8,016,729	B2	9/2011	Webb
6,202,263	B1	3/2001	Harker	8,021,286	B2	9/2011	Suiter
6,238,324	B1	5/2001	MacMillan	8,033,960	B1	10/2011	Dalebout et al.
6,322,481	B1	11/2001	Krull	8,057,371	B2	11/2011	McBride et al.
6,402,666	B2	6/2002	Krull	8,109,864	B2	2/2012	Tseng
6,416,446	B1	7/2002	Krull	8,137,248	B1	3/2012	Krull
6,422,979	B1	7/2002	Krull	8,246,524	B2	8/2012	Castillo
6,554,747	B1	4/2003	Rempe	8,272,996	B2	9/2012	Weier
6,561,956	B1	5/2003	Allison	8,273,001	B2	9/2012	Karecki et al.
6,626,801	B2	9/2003	Marques	8,287,438	B2	10/2012	Krull
6,629,910	B1	10/2003	Krull	8,303,472	B2	11/2012	Bowser
6,669,606	B2	12/2003	Krull	8,317,660	B2	11/2012	Goranson
6,679,816	B1	1/2004	Krull	8,499,383	B1	8/2013	Ungaro
6,733,424	B2	5/2004	Krull	8,602,951	B2	12/2013	Morris
6,746,381	B2	6/2004	Krull	8,657,727	B1	2/2014	Kassel et al.
6,749,547	B2	6/2004	Krull	8,690,741	B2	4/2014	Ross et al.
6,872,173	B2	3/2005	Krull	8,696,529	B2	4/2014	Krull
6,899,661	B1	5/2005	Krull	8,821,359	B1	9/2014	Kassel
6,902,515	B2	6/2005	Kowell et al.	8,870,722	B2	10/2014	Kassel
6,902,516	B2	6/2005	Krull	8,905,905	B2	12/2014	Mangalindan
6,974,405	B2	12/2005	Krull	2003/0017918	A1	1/2003	Webb et al.
7,032,529	B2	4/2006	Sanford	2003/0232707	A1	12/2003	Dalebout et al.
7,037,246	B2	5/2006	Kim	2004/0009854	A1	1/2004	Shiang et al.
7,060,011	B1	6/2006	Krull	2005/0043150	A1	2/2005	Nitta et al.
7,121,988	B2	10/2006	Walkerdine	2005/0049115	A1 *	3/2005	Gomez 482/36
7,128,697	B1	10/2006	Krull	2005/0049121	A1	3/2005	Dalebout et al.
7,153,243	B1	12/2006	Krull	2005/0113219	A1	5/2005	Pierre, II
7,192,391	B2	3/2007	Kim	2005/0130814	A1	6/2005	Nitta et al.
7,229,392	B2	6/2007	Turnbull et al.	2005/0272577	A1	12/2005	Olson et al.
7,264,578	B1	9/2007	Krull	2006/0035768	A1	2/2006	Kowallis et al.
7,429,236	B2	9/2008	Dalebout et al.	2006/0128540	A1	6/2006	Engle
7,455,632	B2	11/2008	Block et al.	2007/0207903	A1	9/2007	Csabai
7,497,814	B1	3/2009	Krull	2009/0215594	A1	8/2009	Panaiotov
7,510,539	B2	3/2009	Katane et al.	2010/0048368	A1	2/2010	Donofrio
7,547,268	B1	6/2009	Krull	2010/0331152	A1	12/2010	Pedraera
7,553,265	B2	6/2009	Crawford et al.	2011/0124476	A1	5/2011	Holley
7,588,520	B2	9/2009	Nalley	2011/0237410	A1	9/2011	Perez
7,611,450	B2	11/2009	Mancini	2011/0269604	A1	11/2011	Tseng
7,621,856	B1	11/2009	Keith et al.	2012/0214651	A1	8/2012	Ross
7,625,325	B1	12/2009	Yost	2013/0225371	A1	8/2013	Harrer et al.
				2013/0225372	A1	8/2013	Rochford
				2014/0066274	A1	3/2014	Kassel

* cited by examiner

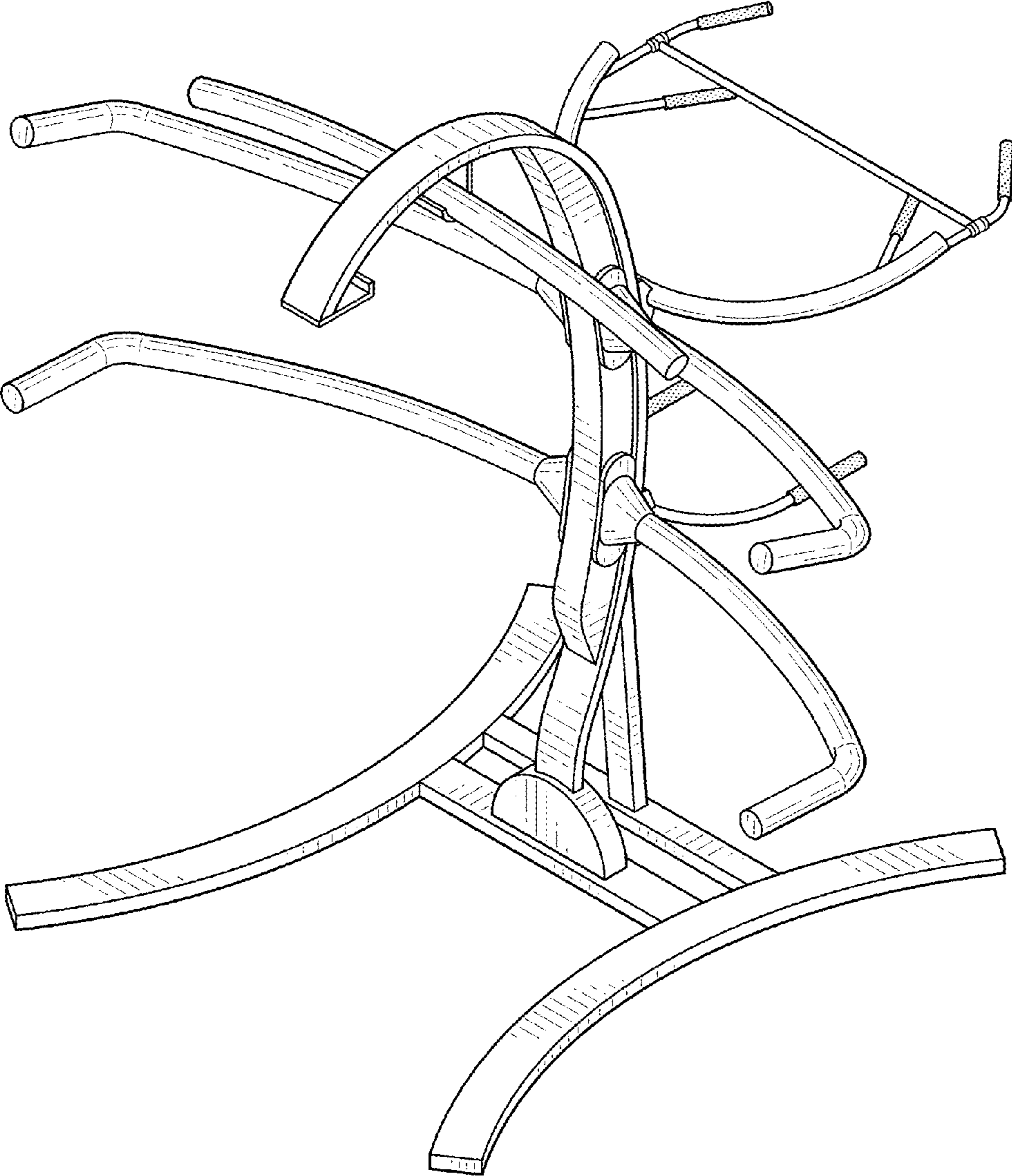


FIG-1

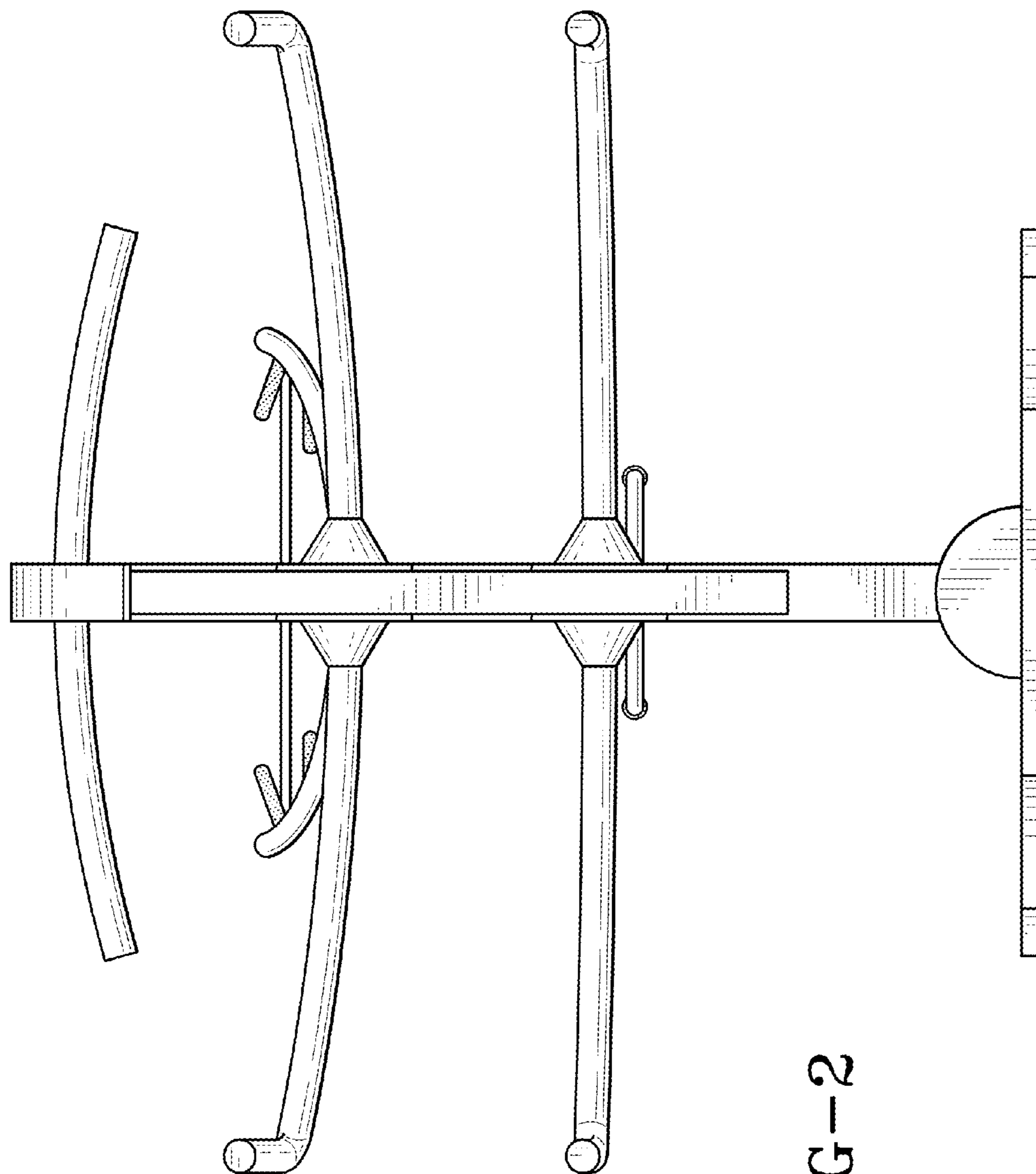
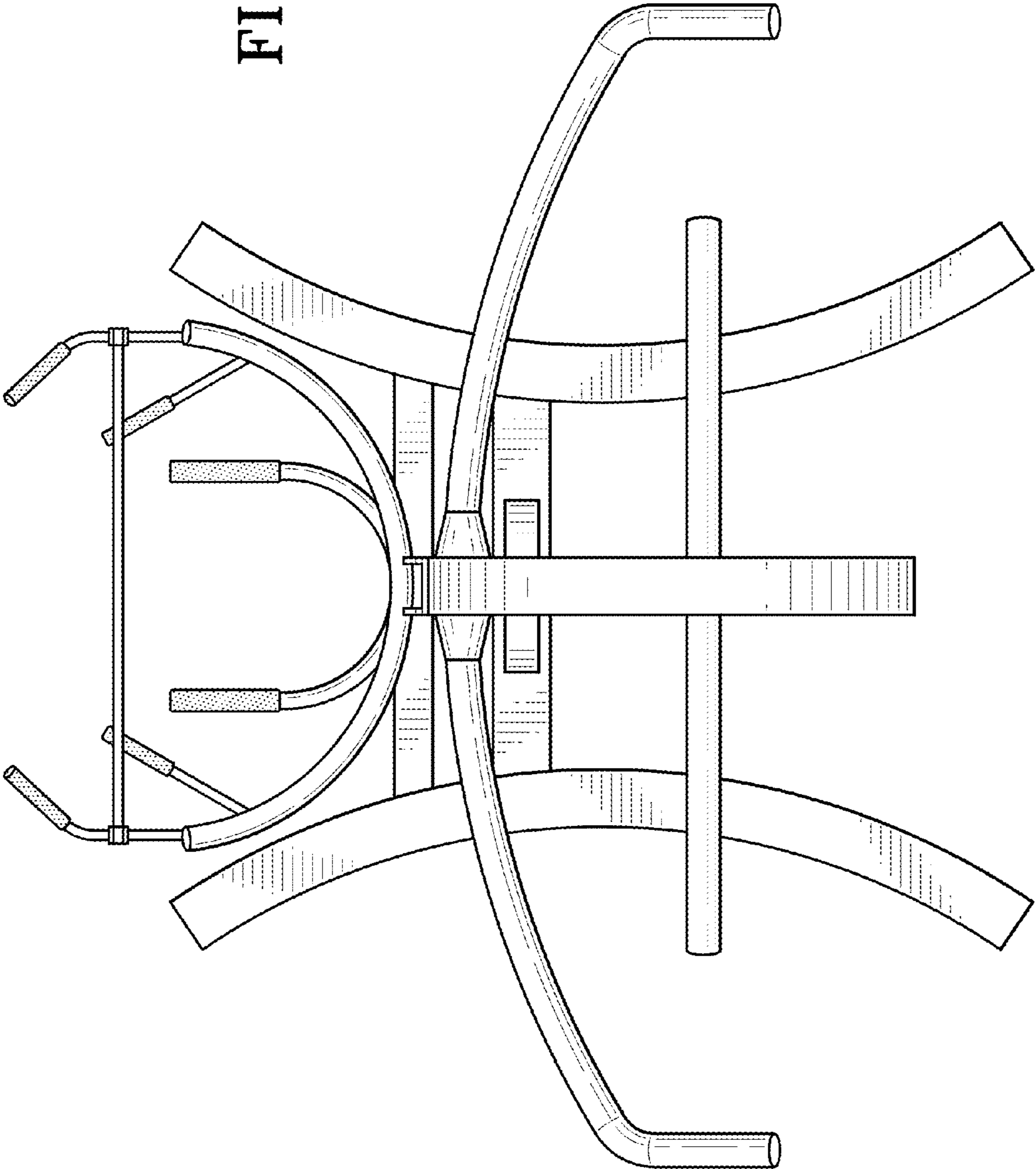


FIG-2

FIG--3



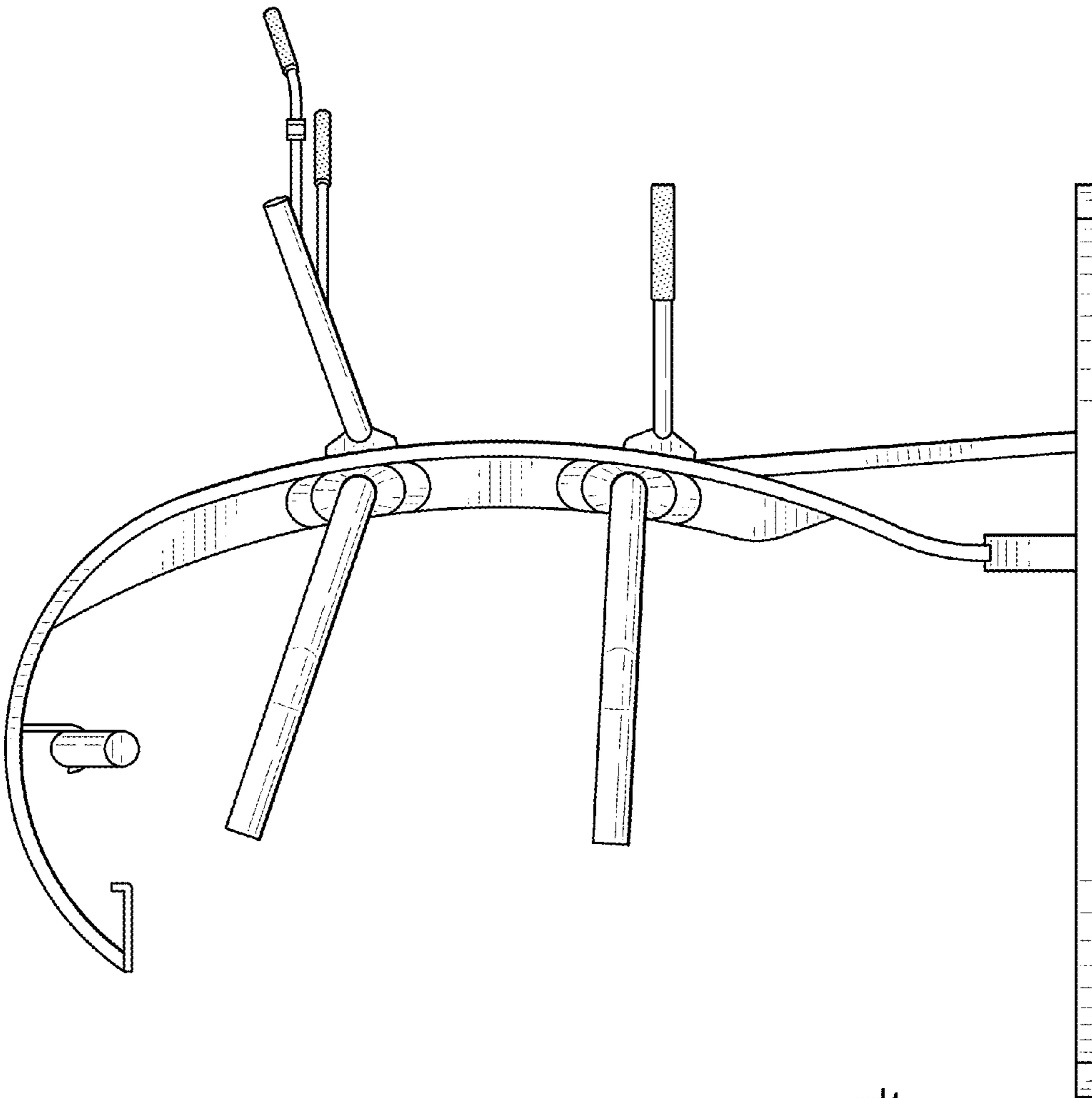


FIG-4

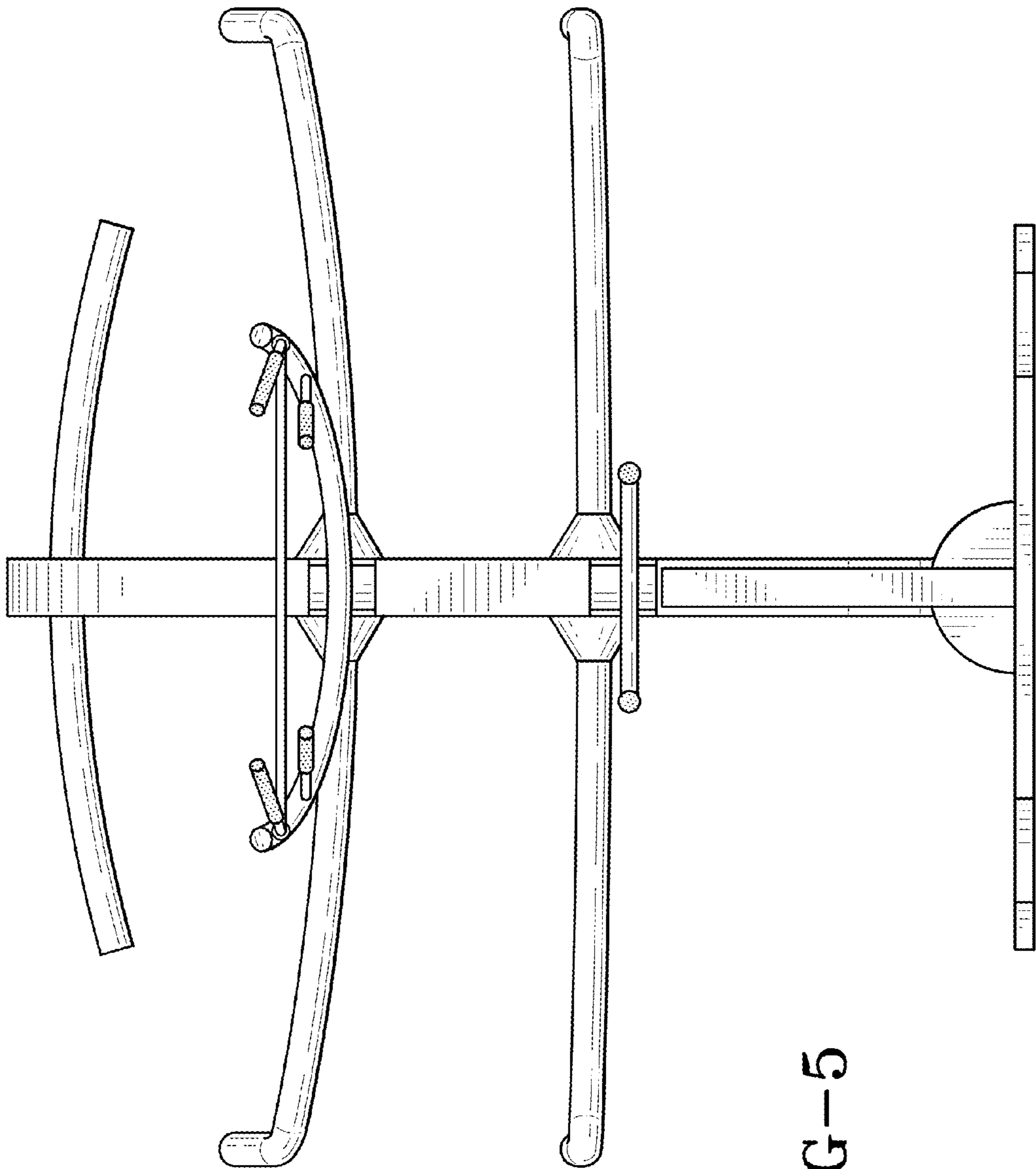


FIG-5