



US00D753238S

(12) **United States Design Patent**  
**Wikel**

(10) **Patent No.:** **US D753,238 S**  
(45) **Date of Patent:** **\*\* Apr. 5, 2016**

(54) **GAMING DEVICE**

- (71) Applicant: **STEELSERIES ApS**, Valby (DK)
- (72) Inventor: **Harold Wikel**, Muskego, WI (US)
- (73) Assignee: **STEELSERIES ApS**, Frederiksberg (DK)
- (\*\*) Term: **14 Years**
- (21) Appl. No.: **29/514,346**
- (22) Filed: **Jan. 12, 2015**

**Related U.S. Application Data**

- (62) Division of application No. 29/465,356, filed on Aug. 27, 2013, now Pat. No. Des. 723,625.
- (51) **LOC (10) Cl.** ..... **21-01**
- (52) **U.S. Cl.**  
USPC ..... **D21/333**
- (58) **Field of Classification Search**  
USPC ..... D14/399-401, 412-416; D21/324, 333;  
273/148 B; 463/1, 29-39, 46, 47;  
345/156-161, 905  
CPC ..... A63F 9/00; A63F 9/24; A63F 13/06;  
G06F 3/033; G06F 3/00  
See application file for complete search history.

(56) **References Cited**

**U.S. PATENT DOCUMENTS**

5,207,426 A 5/1993 Inoue et al.  
D338,242 S 8/1993 Cordell

(Continued)

**FOREIGN PATENT DOCUMENTS**

WO 2011/130755 10/2011

**OTHER PUBLICATIONS**

Design U.S. Appl. No. 29/446,588, "Gaming Device" filed Feb. 25, 2013.

(Continued)

*Primary Examiner* — Prabhakar Deshmukh

(74) *Attorney, Agent, or Firm* — Guntin & Gust, PLC; Andrew Gust

(57) **CLAIM**

The ornamental design for a gaming device, as shown and described.

**DESCRIPTION**

FIG. 1 is a perspective view of a gaming device showing my new design, with the cover over a top portion of the gaming device;

FIG. 2 is a rear elevation view of FIG. 1;

FIG. 3 is a front elevation view of FIG. 1;

FIG. 4 is a bottom plan view of FIG. 1;

FIG. 5 is a top plan view of FIG. 1;

FIG. 6 is a left side elevation view of FIG. 1;

FIG. 7 is a right side elevation view of FIG. 1;

FIG. 8 is an exploded perspective view of FIG. 1, with the cover being removed from the top portion of the gaming device;

FIG. 9 is a perspective view of a cover of FIG. 1, separated from the bottom portion of the gaming device for clarity;

FIG. 10 is a rear elevation view of FIG. 9;

FIG. 11 is a front elevation view of FIG. 9;

FIG. 12 is a top plan view of FIG. 9;

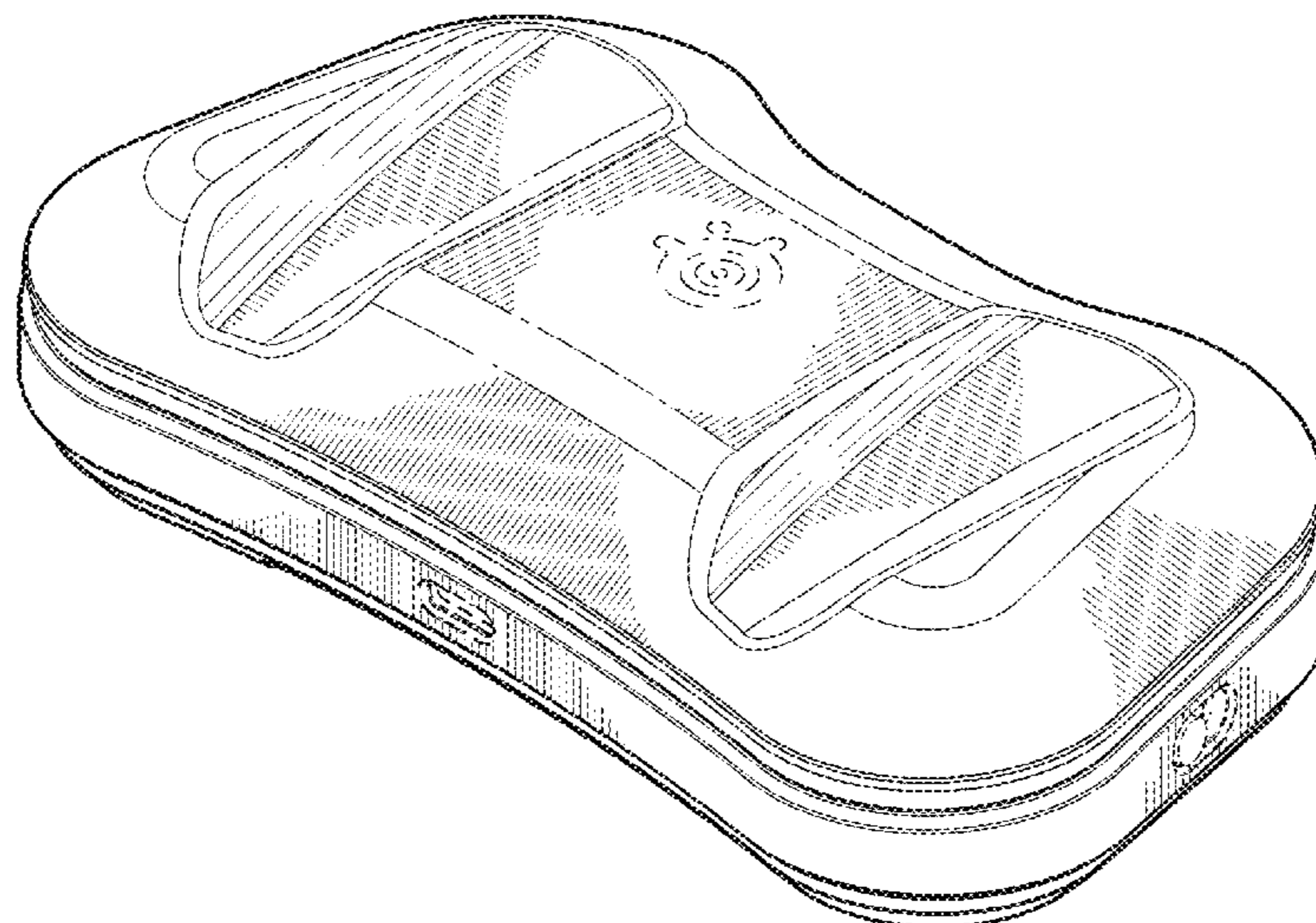
FIG. 13 is a bottom plan view of FIG. 9;

FIG. 14 is a left side elevation view of FIG. 9; and,

FIG. 15 is a right side elevation view of FIG. 9.

The broken lines illustrate unclaimed portions and form no part of the claimed design.

**1 Claim, 15 Drawing Sheets**



(56)

**References Cited**

U.S. PATENT DOCUMENTS

5,624,117 A \* 4/1997 Ohkubo ..... A63F 13/06  
273/148 B

5,643,087 A 7/1997 Marcus et al.  
D387,094 S 12/1997 Muraki et al.  
5,785,317 A 7/1998 Sasaki  
D411,839 S 7/1999 Au Yeung  
5,923,317 A 7/1999 Sayler et al.  
5,984,785 A 11/1999 Takeda et al.  
6,231,444 B1 5/2001 Goto et al.  
6,325,719 B1 12/2001 Fukawa et al.  
6,614,420 B1 \* 9/2003 Han ..... A63F 13/06  
345/156

D487,466 S 3/2004 Yokota  
6,743,100 B1 6/2004 Neiser  
D568,883 S 5/2008 Ashida et al.  
D570,349 S 6/2008 Ashida et al.  
D585,931 S 2/2009 Palmer  
7,762,553 B2 \* 7/2010 Harris ..... A63F 13/02  
273/148 B

D620,939 S \* 8/2010 Suetake ..... D14/401  
D648,324 S \* 11/2011 Medas ..... D14/217  
8,313,379 B2 11/2012 Ikeda et al.  
D697,140 S 1/2014 Baum  
2001/0003713 A1 6/2001 Willner et al.  
2006/0148578 A1 7/2006 Hayes et al.  
2008/0214305 A1 9/2008 Addington et al.  
2009/0054146 A1 2/2009 Epstein et al.  
2010/0113153 A1 5/2010 Yen et al.  
2011/0021272 A1 1/2011 Grant et al.  
2011/0081969 A1 4/2011 Ikeda et al.

OTHER PUBLICATIONS

Microsoft, , "Xbox 360 Limited Edition Metallic Silver Wireless Controller", [http://www.microsoftstore.com/store/msstore/en\\_US/pd/ThemeID.27509700/Xbox-360-Limited-Edition-Metallic-Silver-Wireless-Controller/productID.246602800](http://www.microsoftstore.com/store/msstore/en_US/pd/ThemeID.27509700/Xbox-360-Limited-Edition-Metallic-Silver-Wireless-Controller/productID.246602800), Mar. 19, 2013.  
Sony, , "PS3 DualShock 3 Wireless Controller", <http://www.gamestop.com/ps3/accessories/ps3-dualshock-3-wireless-controller/69638;>, Mar. 19, 2013.

\* cited by examiner

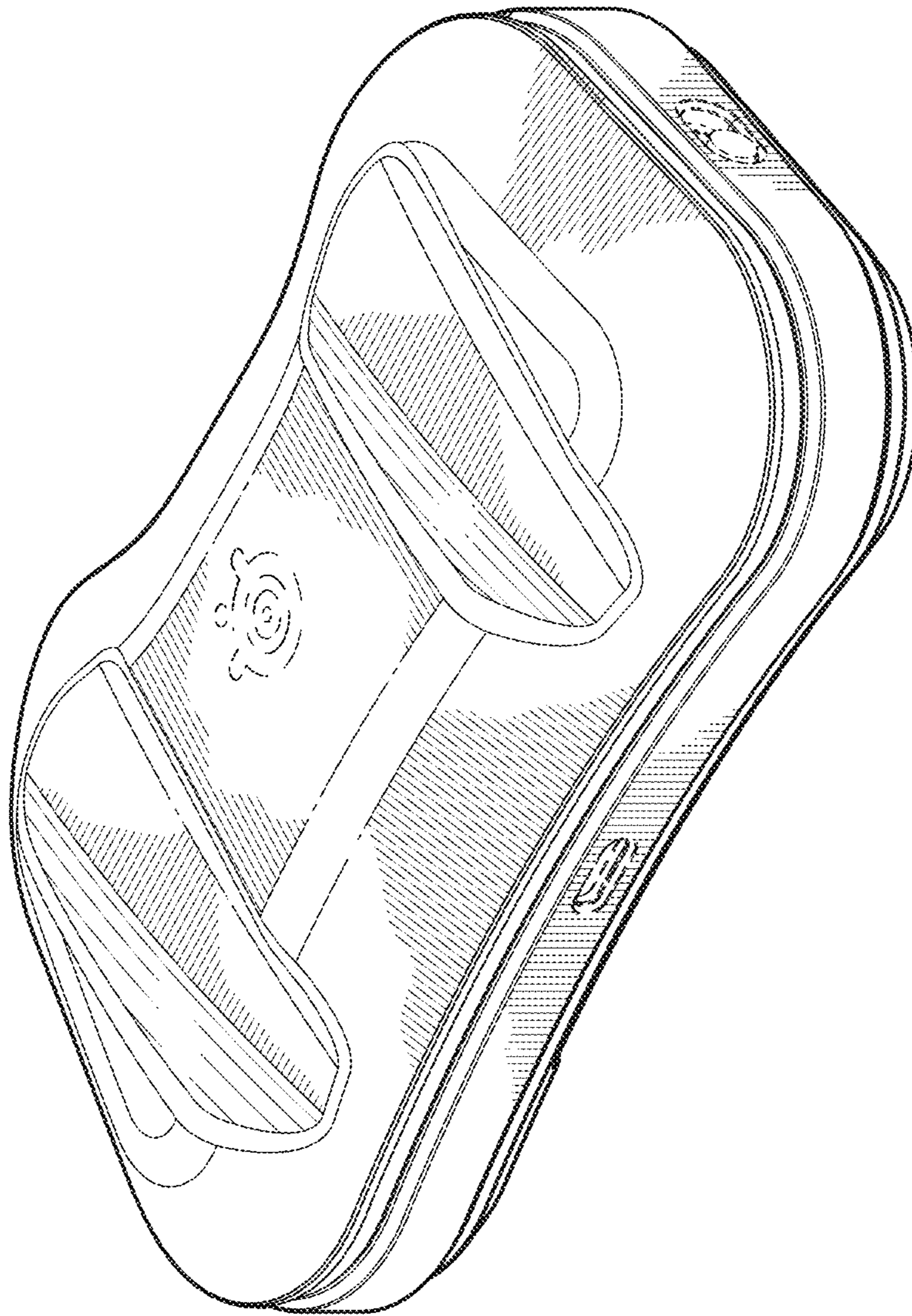


FIG. 1

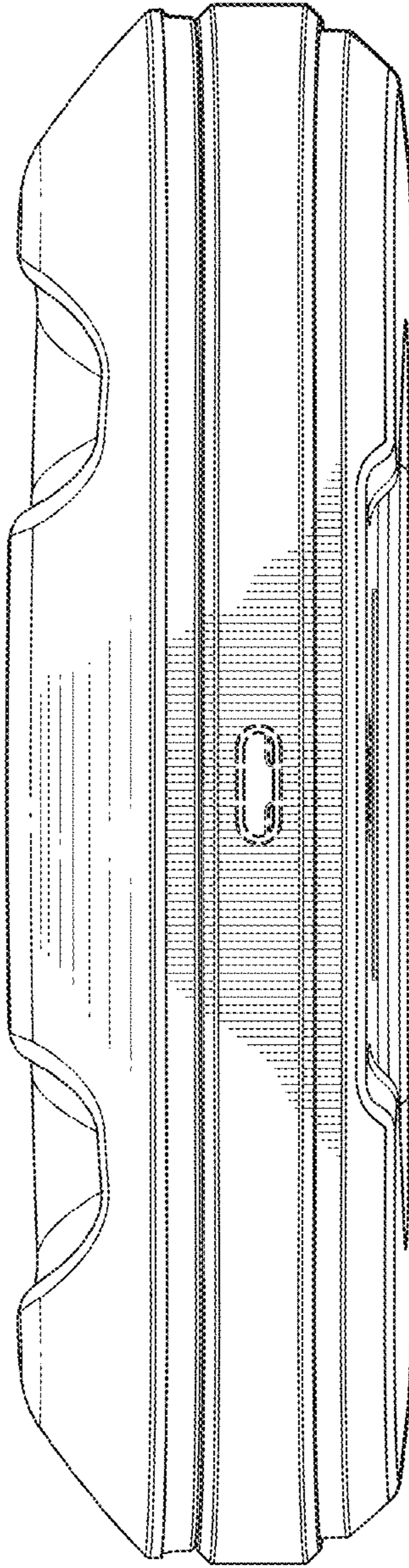


FIG. 2

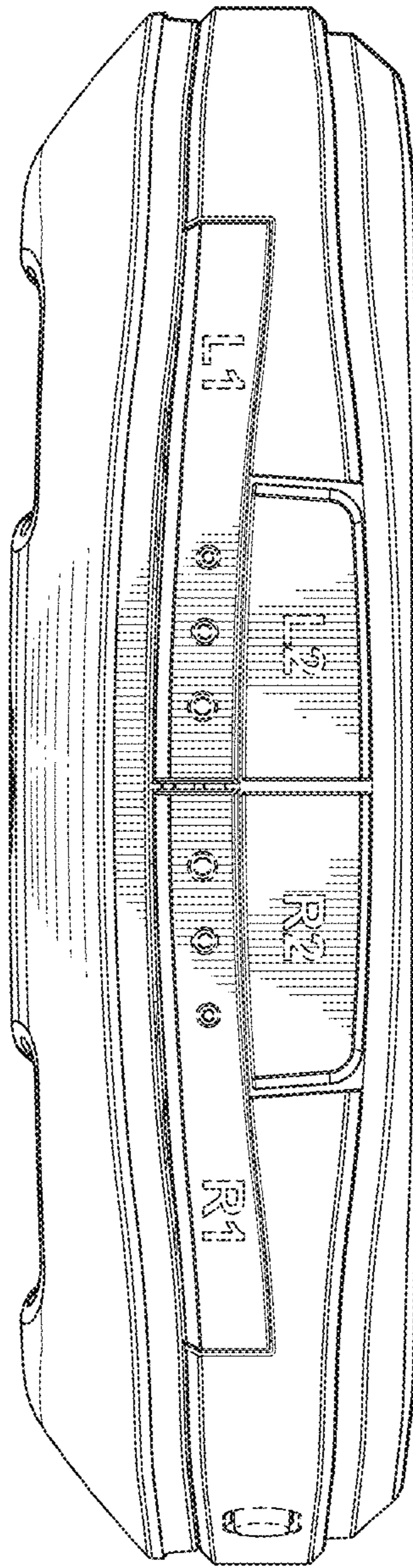


FIG. 3

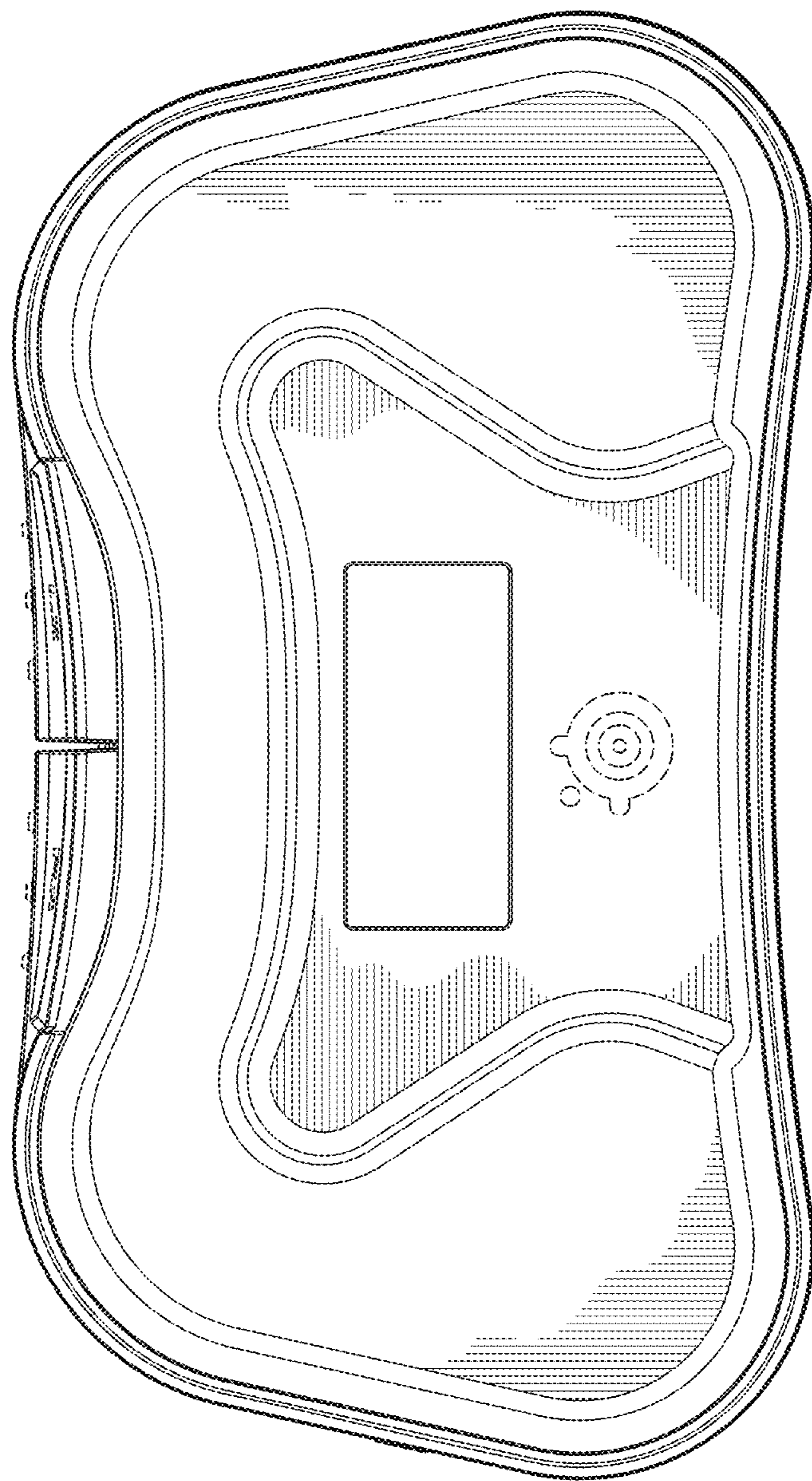


FIG. 4

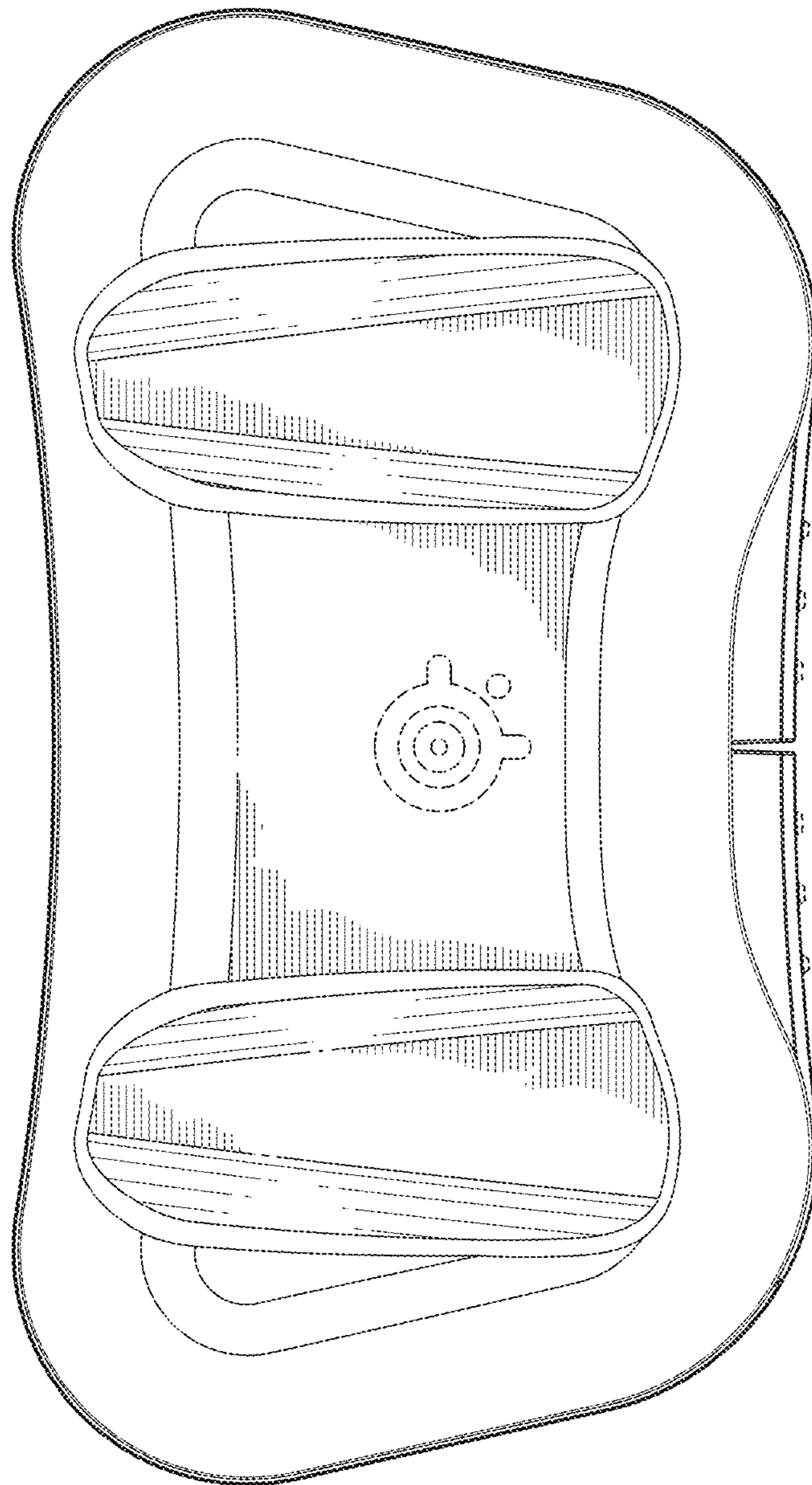


FIG. 5

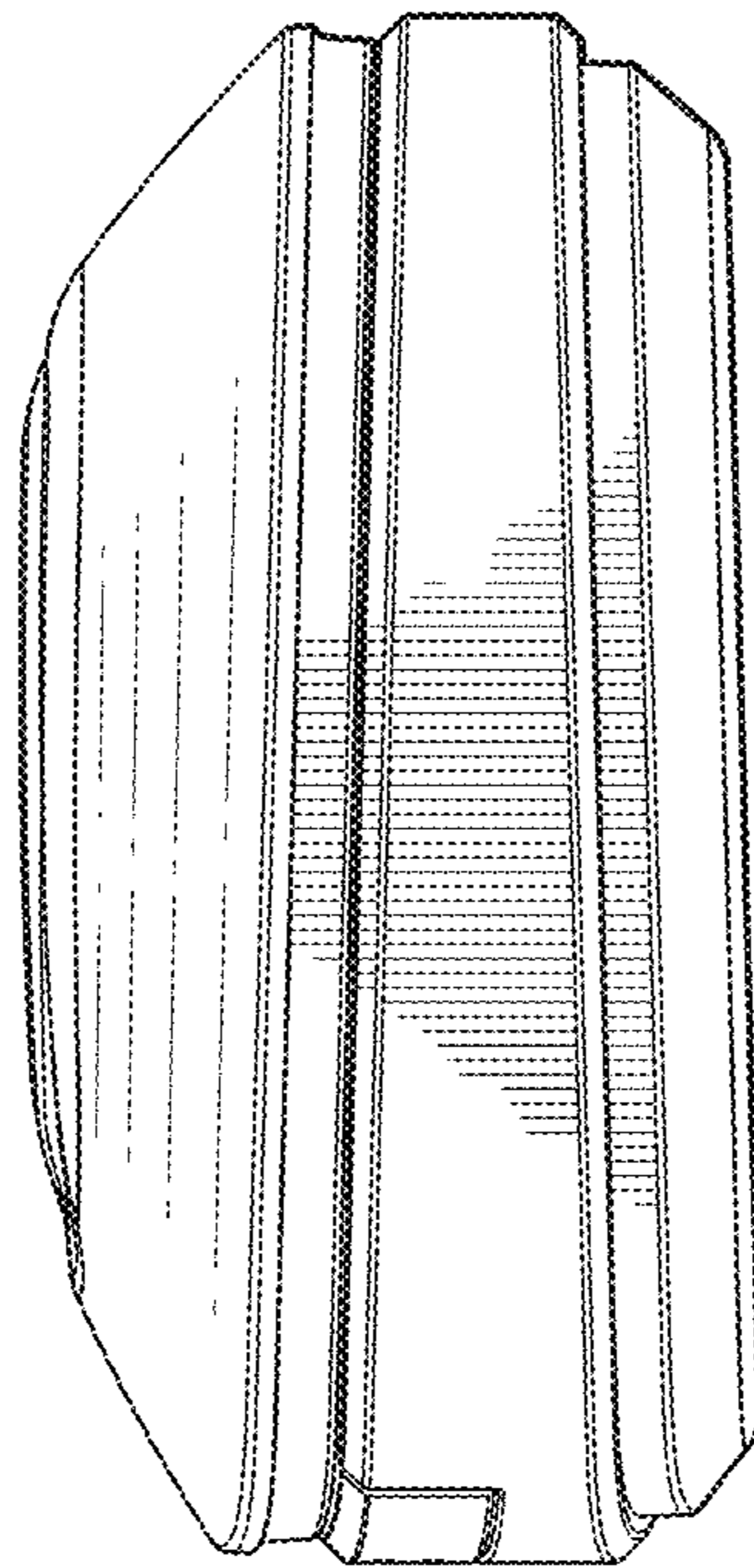


FIG. 6



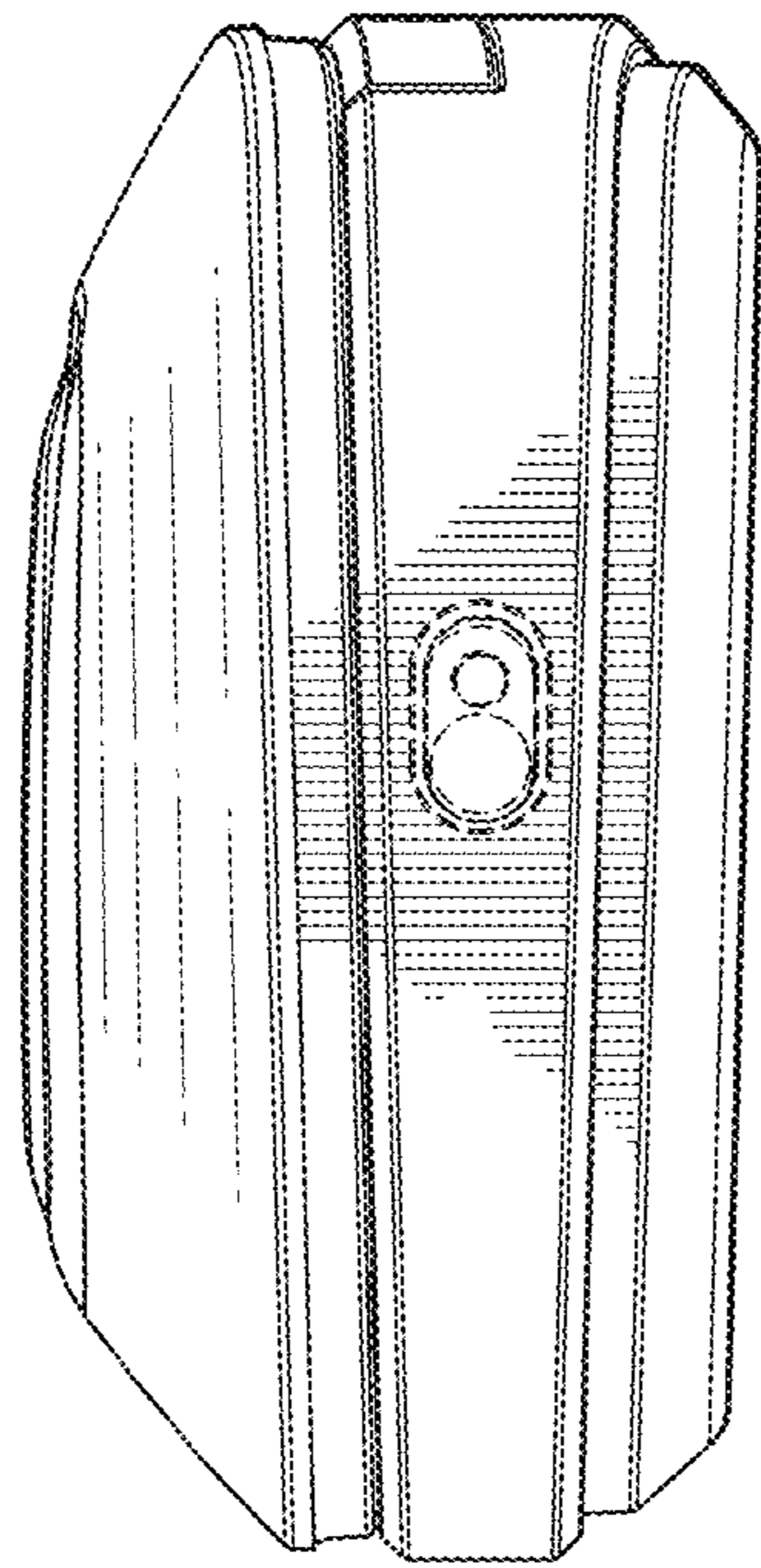


FIG. 7



FIG. 8

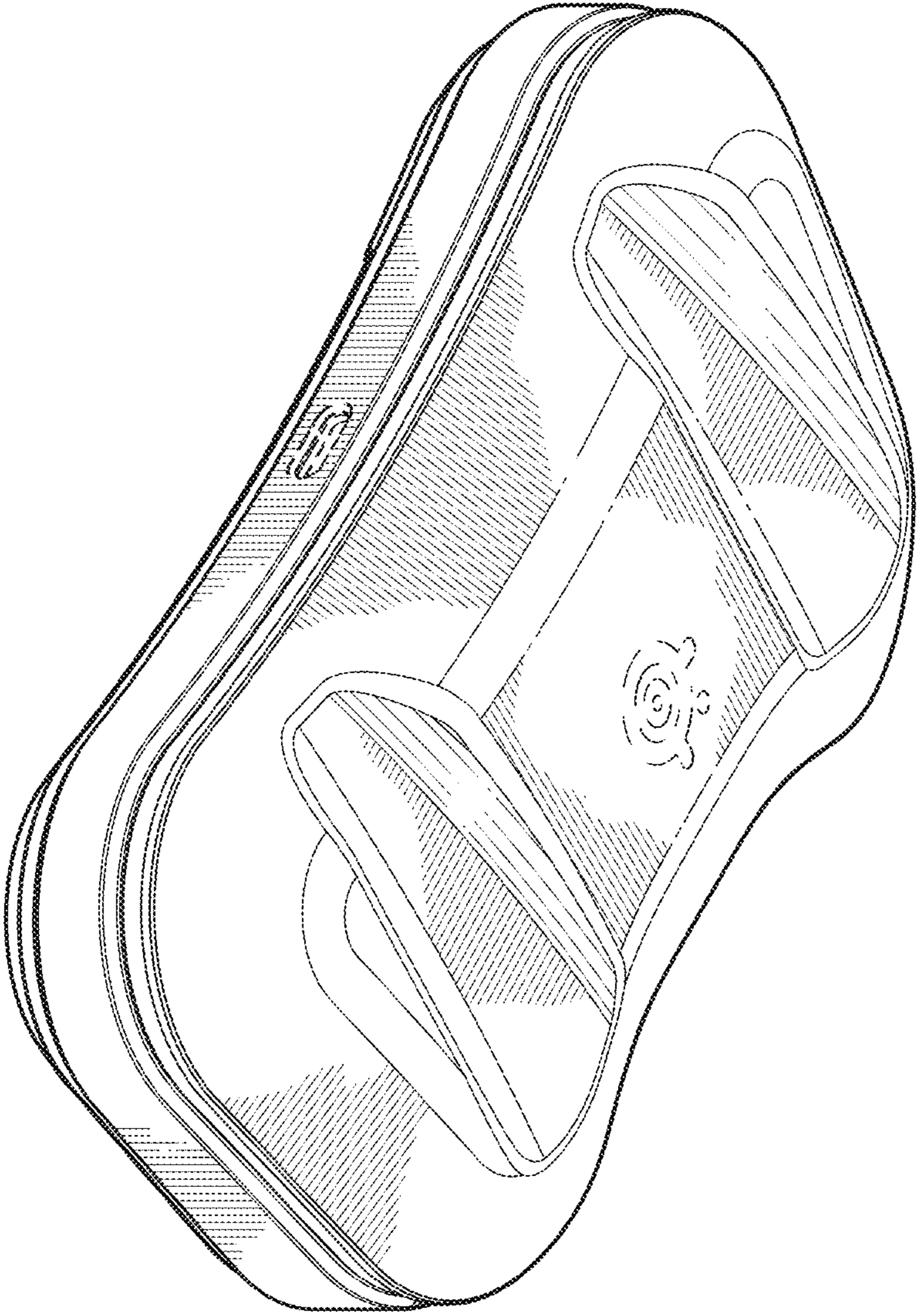


FIG. 9

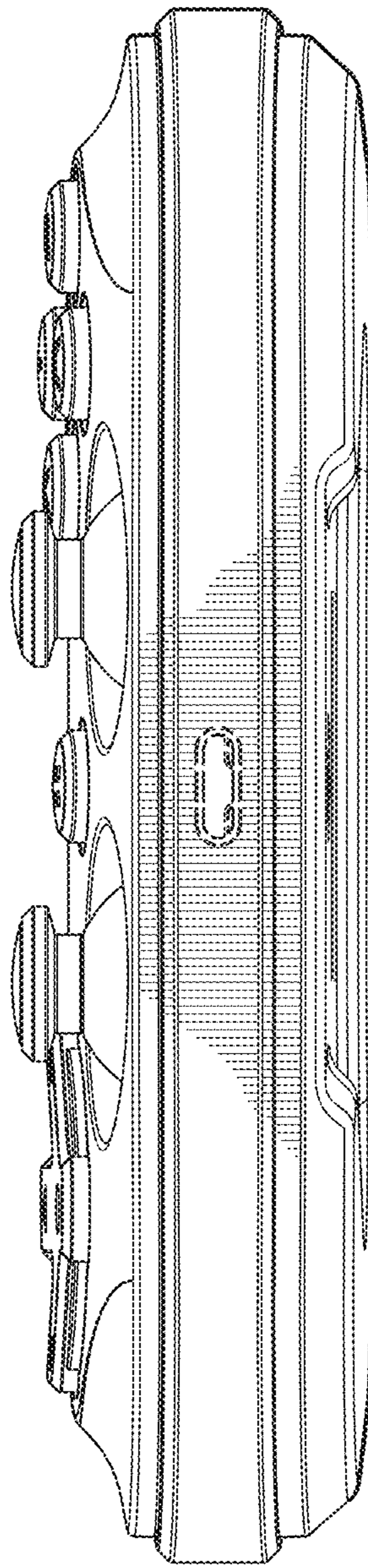


FIG. 10

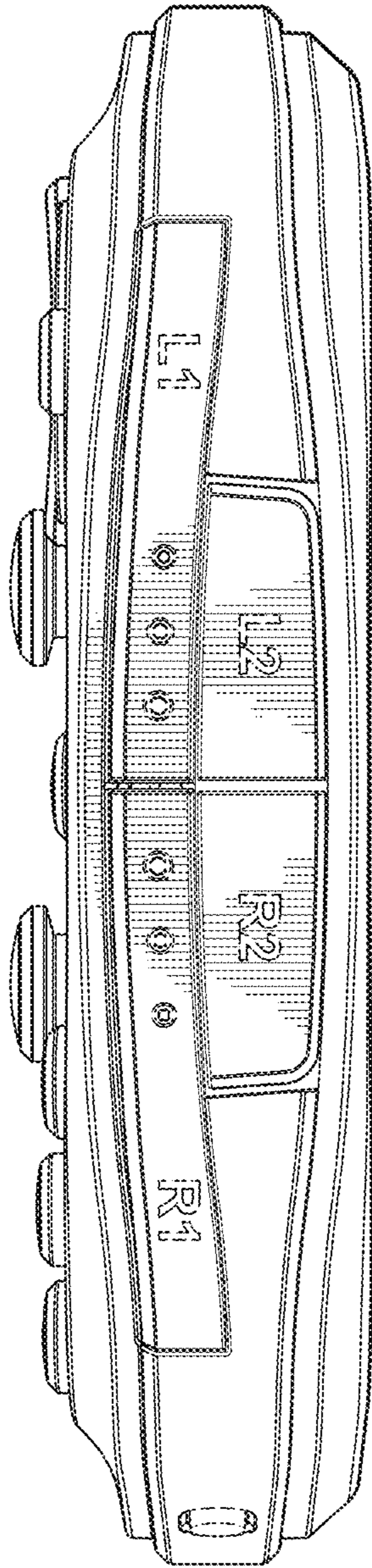


FIG. 11

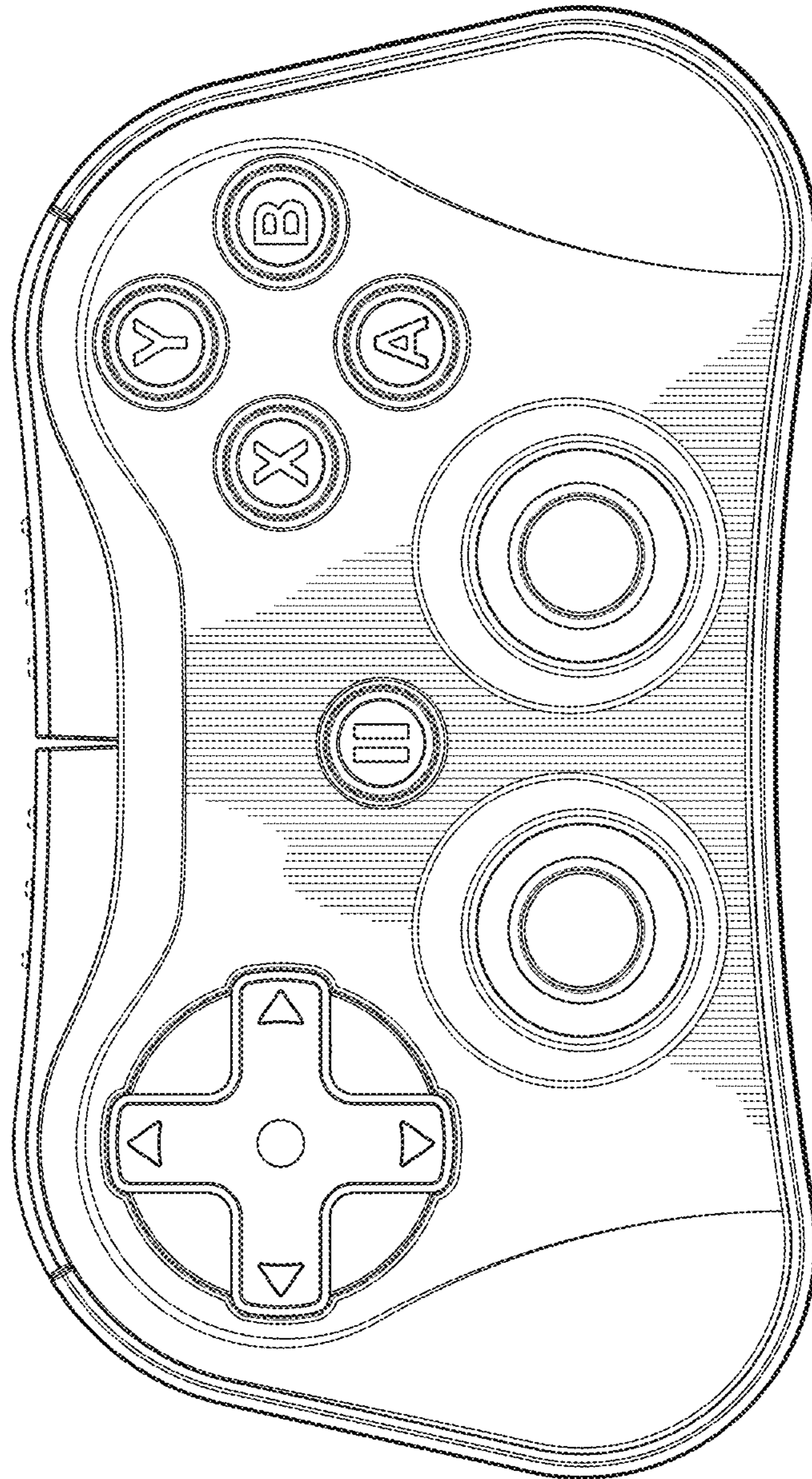


FIG. 12

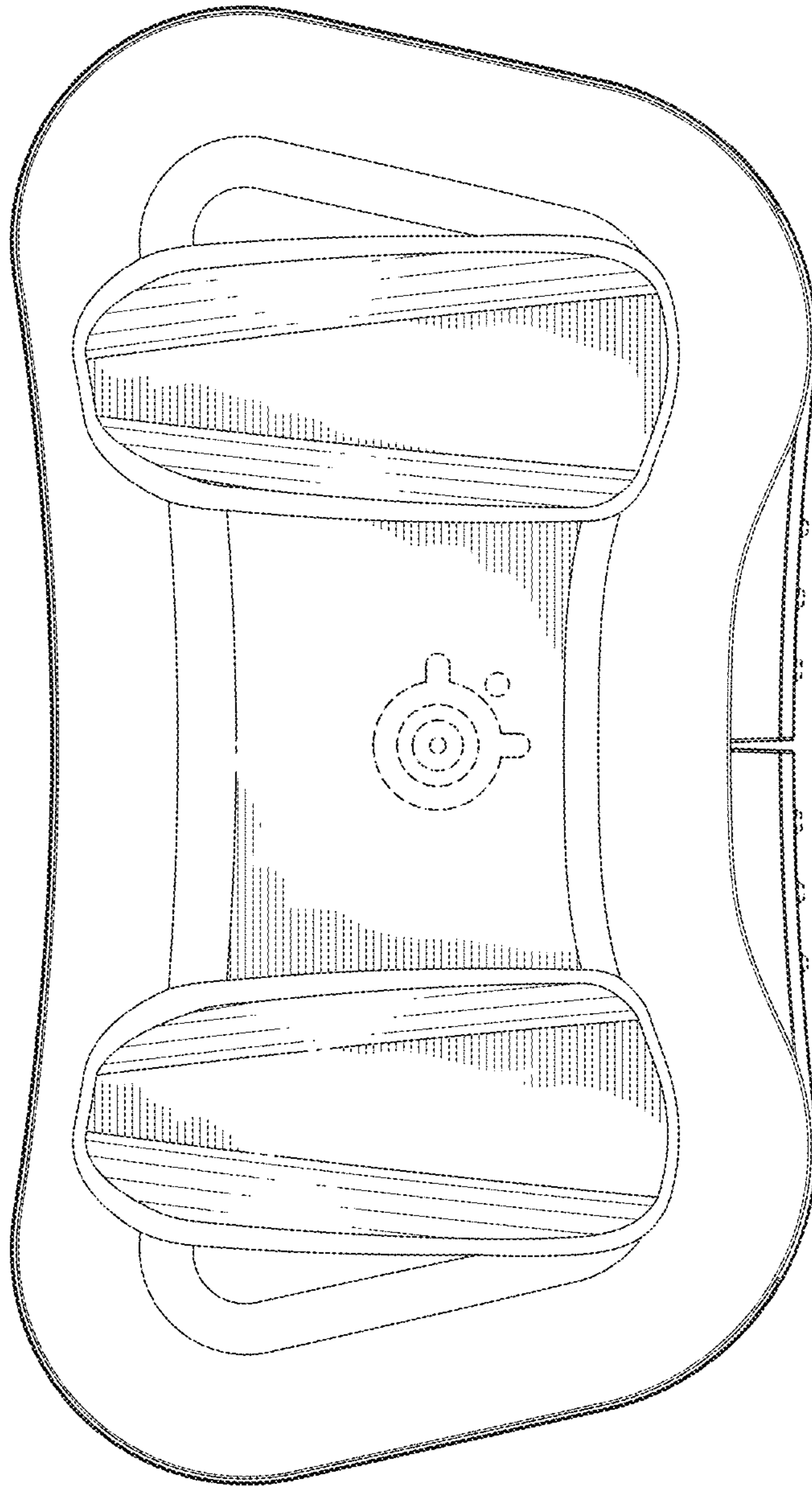


FIG. 13

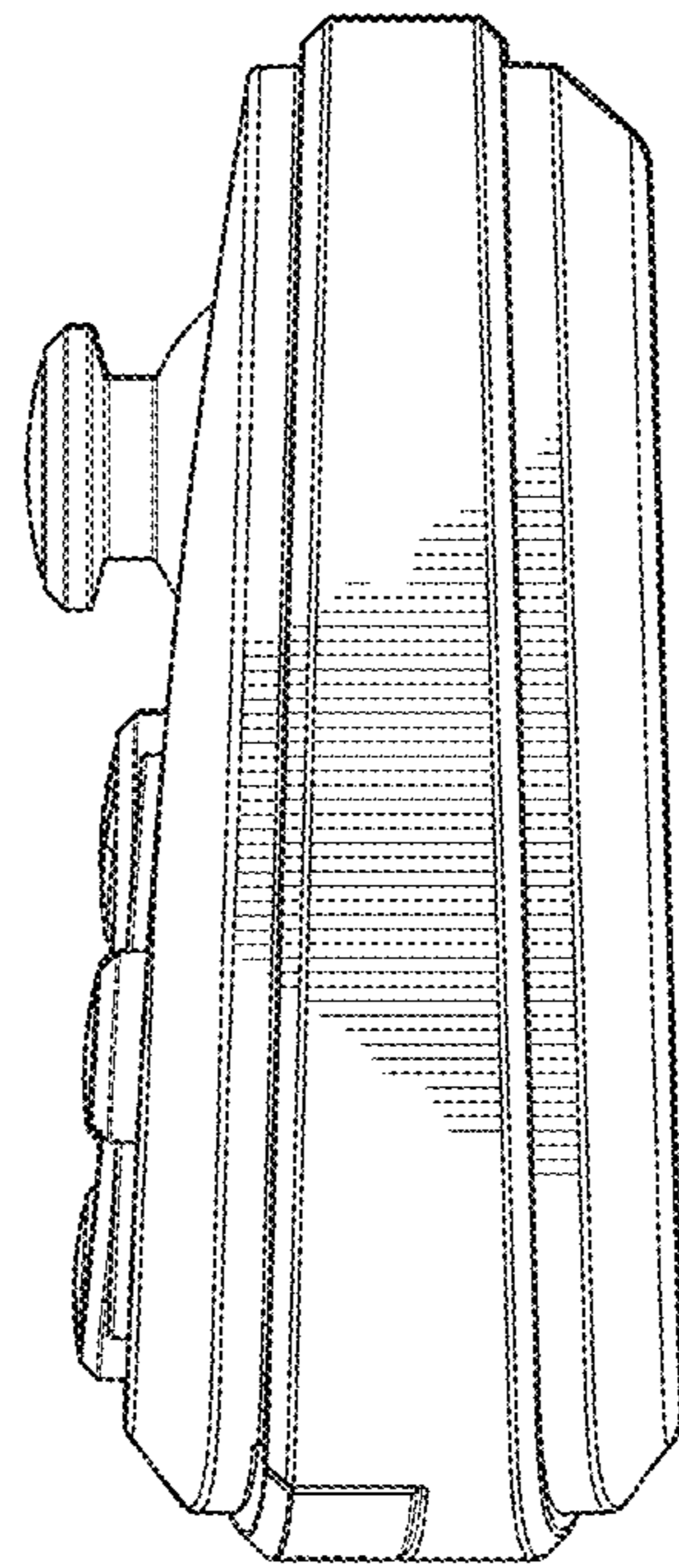


FIG. 14



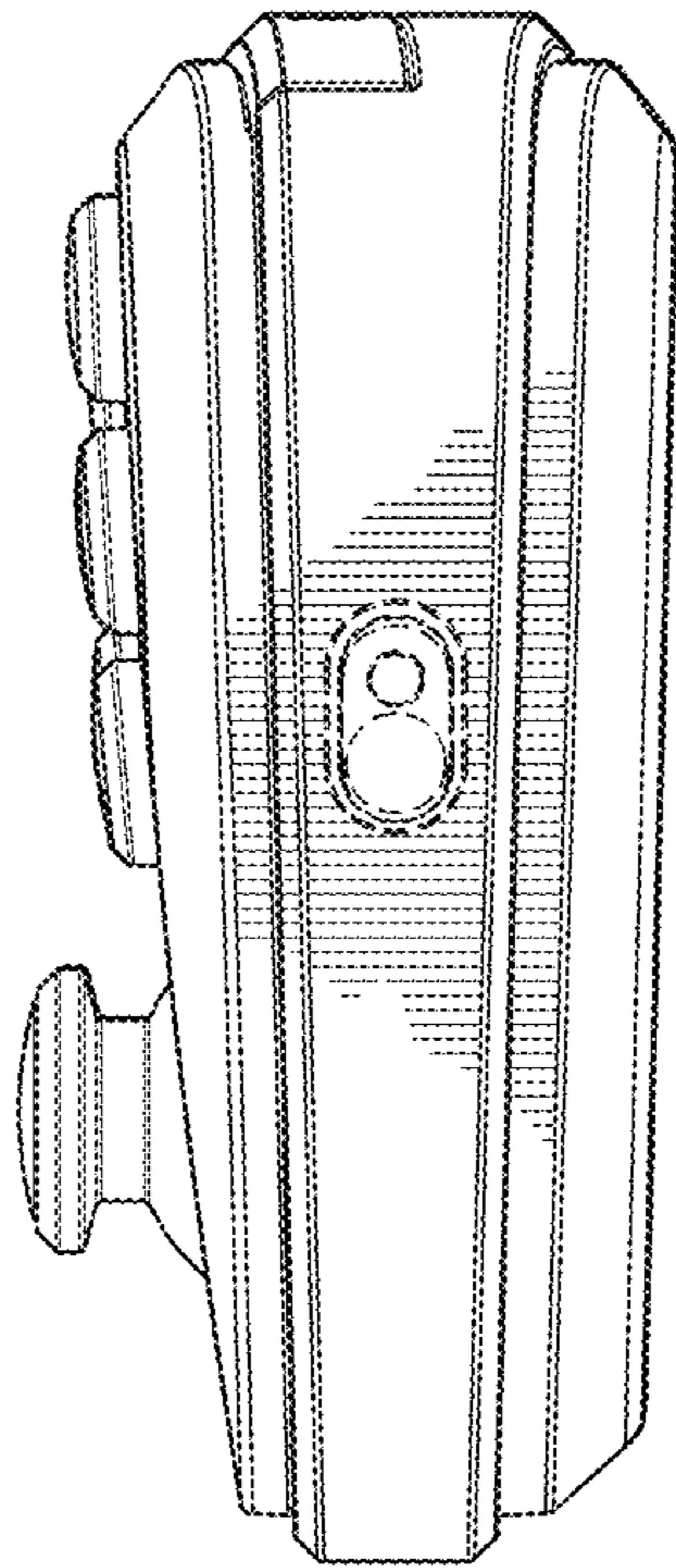


FIG. 15