



US00D753237S

(12) **United States Design Patent**
Jackson et al.

(10) **Patent No.:** **US D753,237 S**
(45) **Date of Patent:** **** Apr. 5, 2016**

(54) **GUITAR-SHAPED GAME CONTROLLER BODY**

(71) Applicants: **Jamie Jackson**, Leamington Spa (GB);
Gareth Morrison, Leamington Spa (GB)

(72) Inventors: **Jamie Jackson**, Leamington Spa (GB);
Gareth Morrison, Leamington Spa (GB)

(73) Assignee: **Activision Publishing, Inc.**, Santa Monica, CA (US)

(**) Term: **14 Years**

(21) Appl. No.: **29/511,571**

(22) Filed: **Dec. 11, 2014**

(51) **LOC (10) Cl.** **21-01**

(52) **U.S. Cl.**
USPC **D21/333; D14/400**

(58) **Field of Classification Search**
USPC D21/324-333; D14/400, 356, 454-457, D14/496; D17/14, 18, 20, 99; 273/148 B; 463/1, 29-35, 46, 47; 84/646, 2, 9, 10, 84/267, 290-293, 314 R, 453, DIG. 30
CPC G19D 3/00; G10D 3/06; G10H 3/18; A63F 9/24; A63F 11/00; A63F 13/00
See application file for complete search history.

(56) **References Cited**

U.S. PATENT DOCUMENTS

3,785,239 A * 1/1974 Smith G09B 15/06
84/314 R
4,037,510 A * 7/1977 Ginex G10D 3/06
451/28

4,748,887 A * 6/1988 Marshall G01H 1/0066
84/645
D302,825 S * 8/1989 Riley D17/14
5,373,768 A * 12/1994 Sciortino G10D 3/00
362/253
D576,165 S * 9/2008 Yow D14/400
D589,512 S * 3/2009 Gray D14/400
D623,181 S * 9/2010 Mattie D14/300
D637,190 S * 5/2011 McGuire, II D14/400
D646,274 S * 10/2011 Lim D14/400
D646,682 S * 10/2011 Lim D14/400
8,653,345 B1 * 2/2014 Rogers G10D 3/06
84/314 N

* cited by examiner

Primary Examiner — Prabhakar Deshmukh

(74) *Attorney, Agent, or Firm* — Klein, O'Neill & Singh, LLP

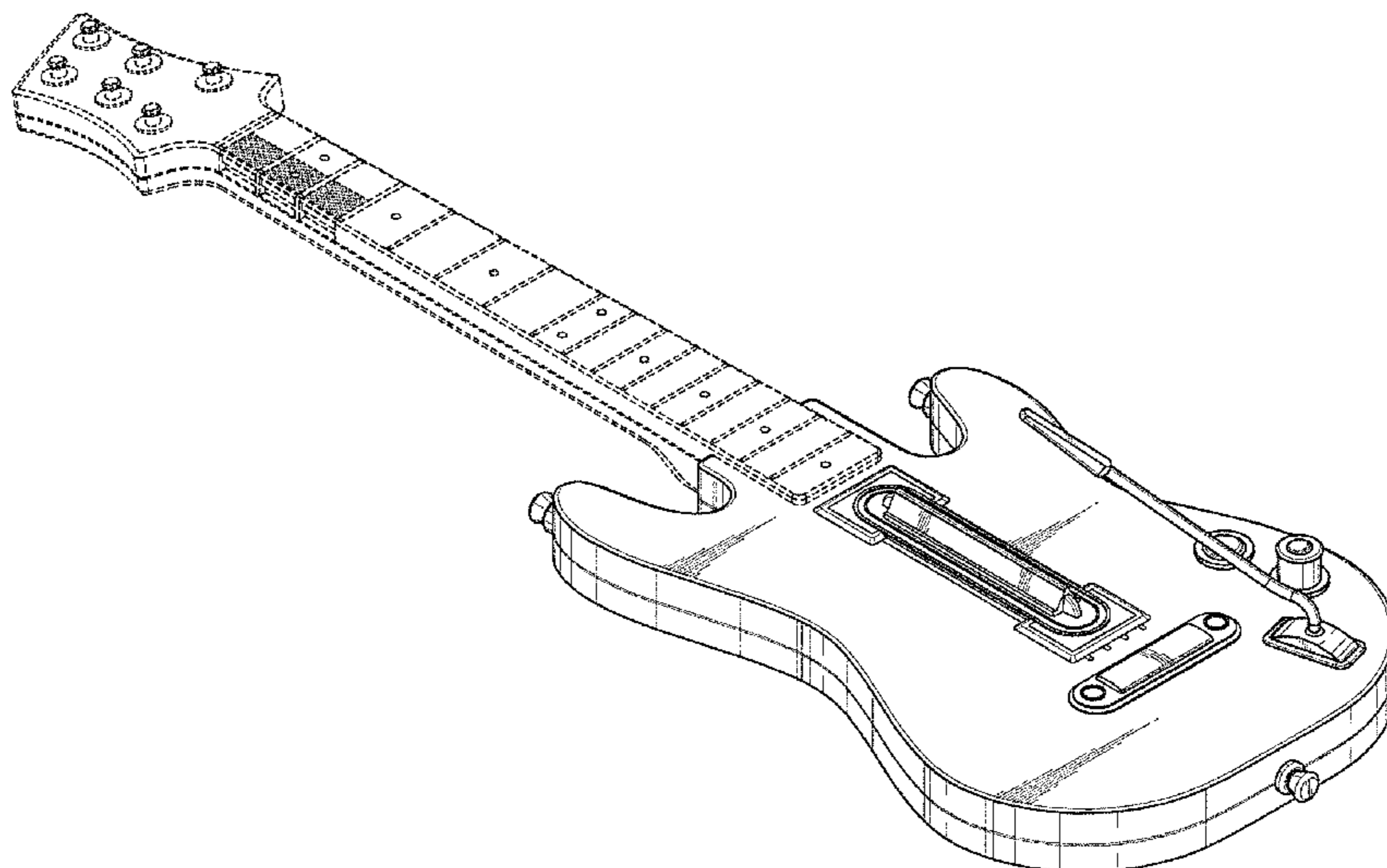
(57) **CLAIM**

The ornamental design for a guitar-shaped game controller body, as shown and described.

DESCRIPTION

FIG. 1 is a perspective view of a guitar-shaped game controller body showing our new design;
FIG. 2 is a front elevational view thereof;
FIG. 3 is a right side elevational view thereof;
FIG. 4 is a rear elevational view thereof;
FIG. 5 is a left side elevational view thereof;
FIG. 6 is a bottom plan view thereof;
FIG. 7 is a top plan view thereof; and,
FIG. 8 is another perspective view thereof.
The broken lines indicate unclaimed portions and form no part of the claimed design.

1 Claim, 5 Drawing Sheets



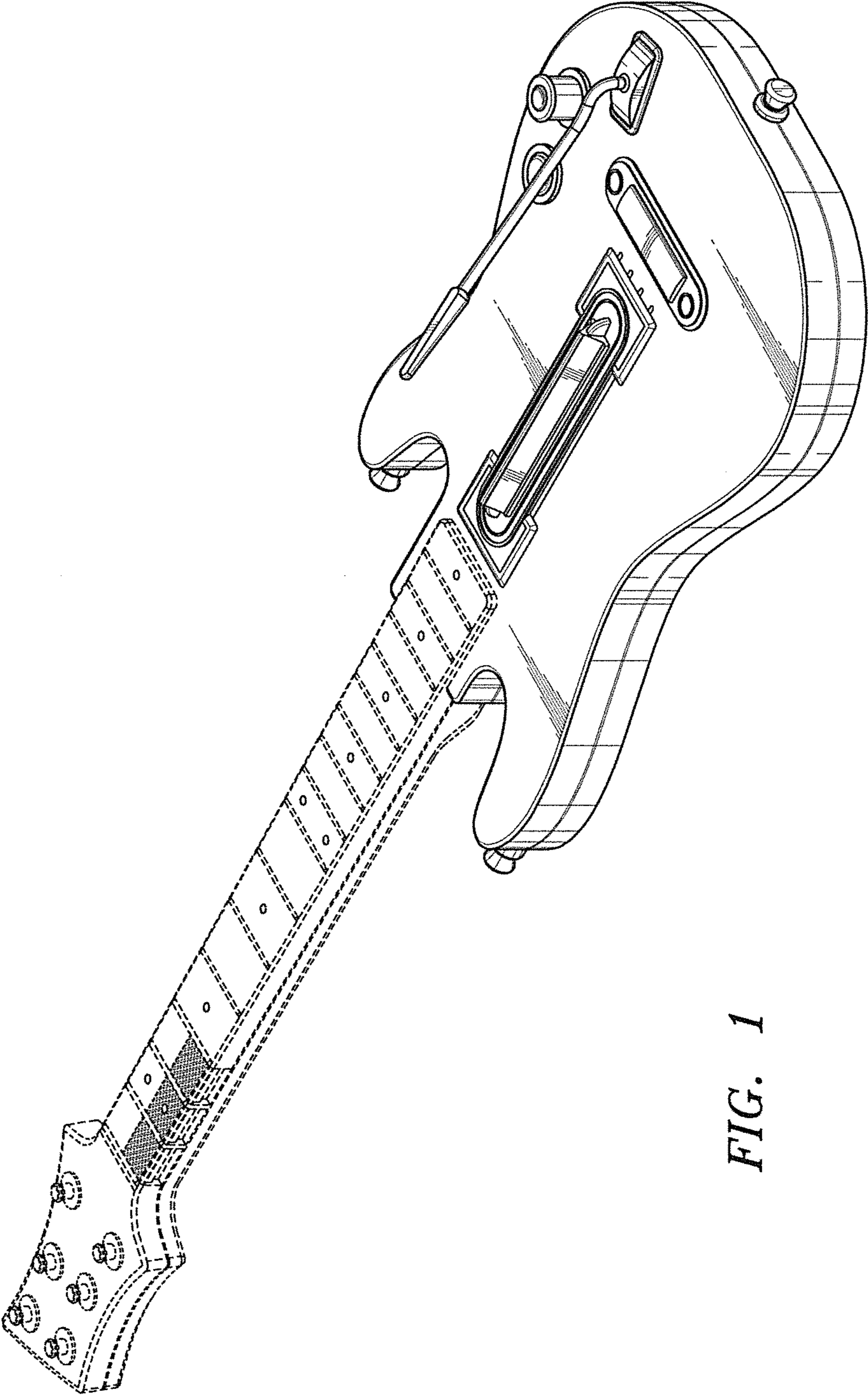


FIG. 1

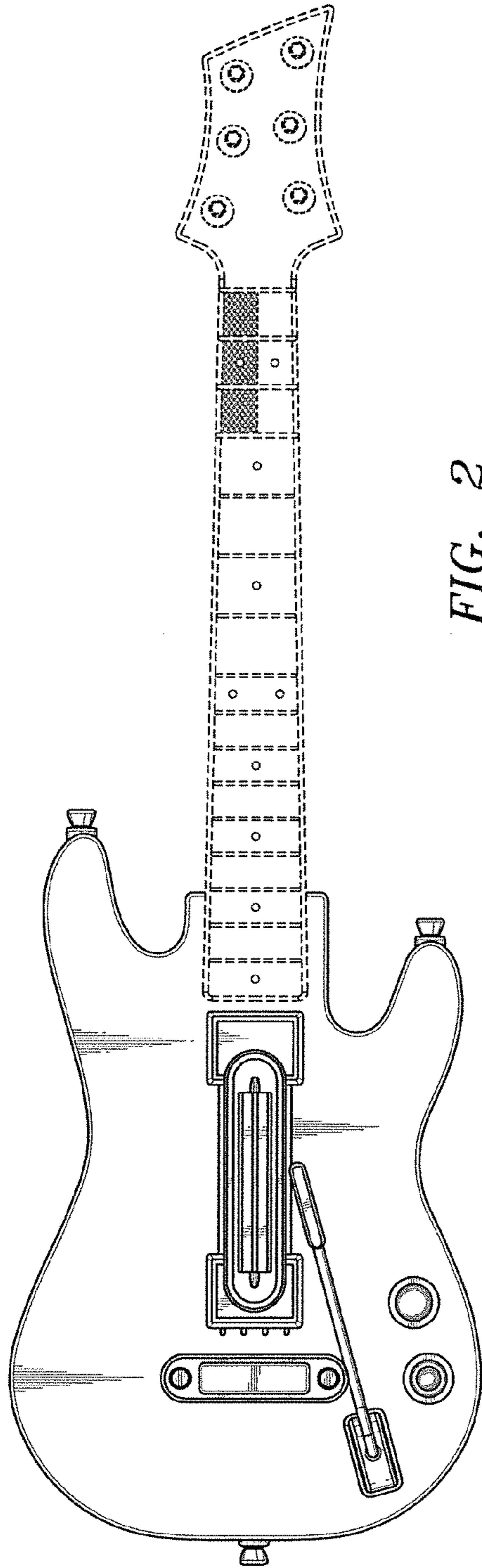


FIG. 2

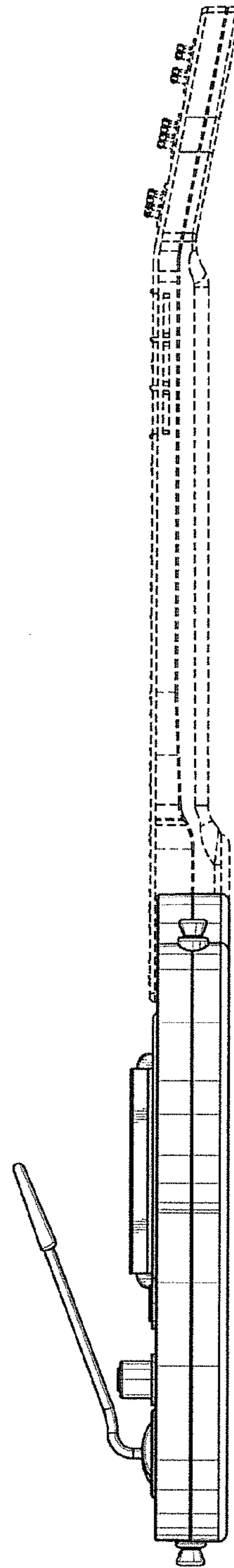
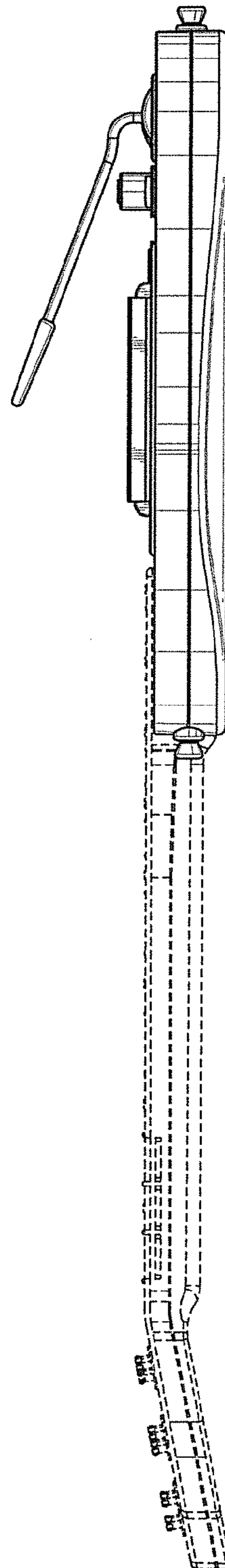
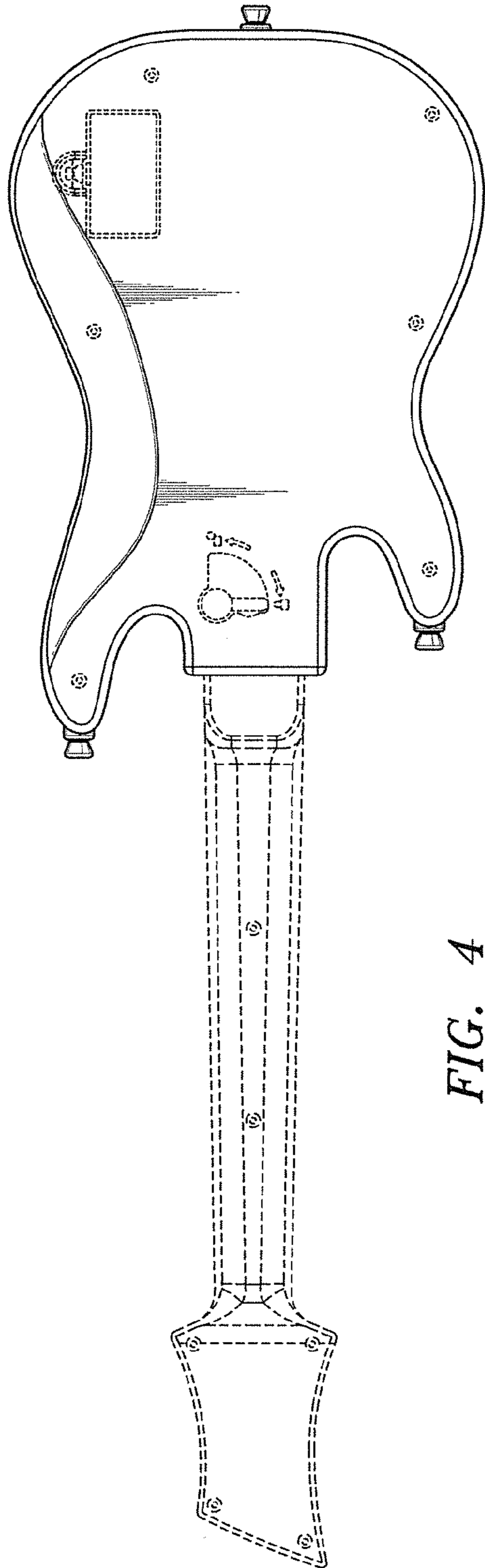


FIG. 3



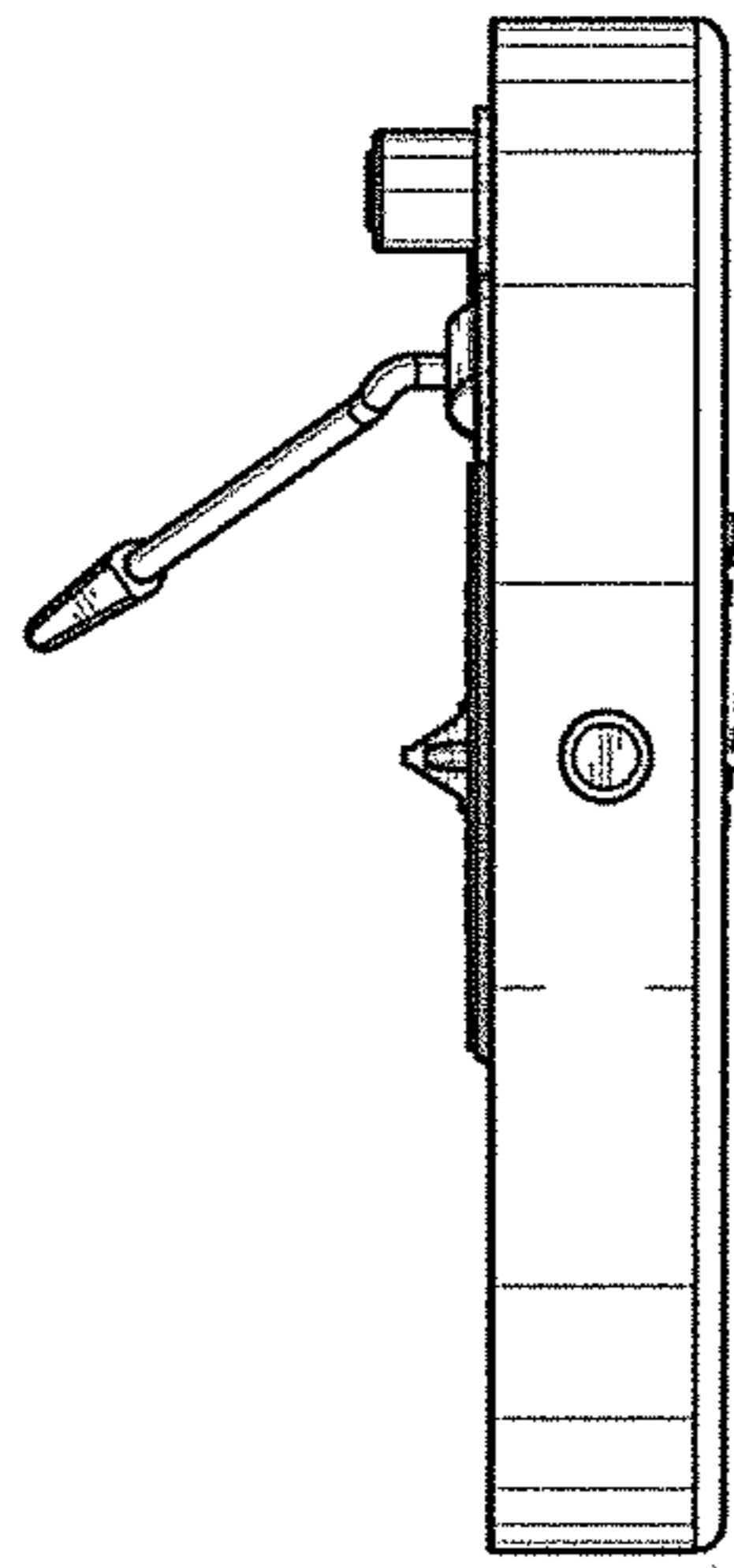


FIG. 7

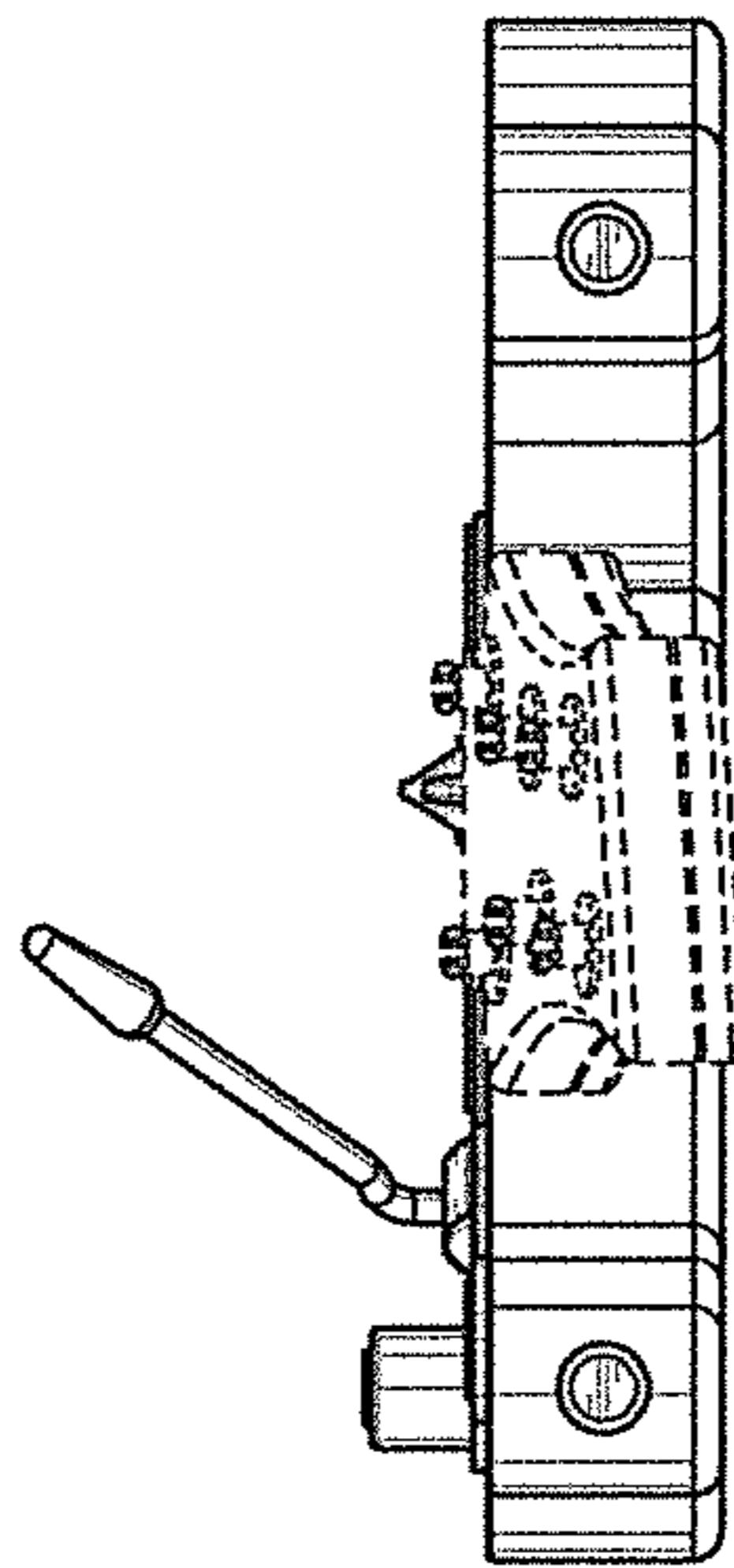


FIG. 6

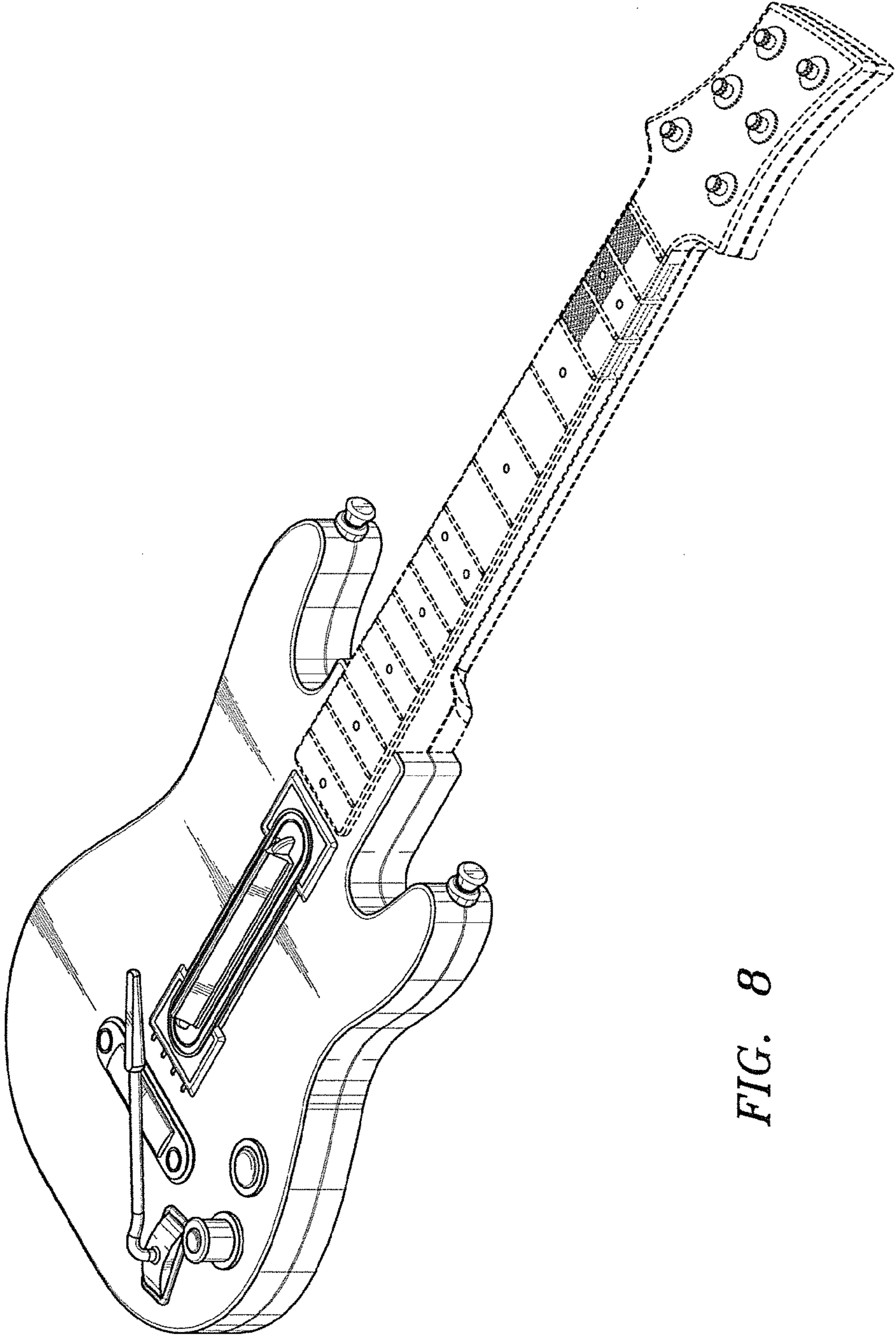


FIG. 8