



US00D753235S

(12) **United States Design Patent**  
**Choi et al.**

(10) **Patent No.:** **US D753,235 S**  
(45) **Date of Patent:** **\*\* Apr. 5, 2016**

(54) **CONTROLLER FOR ELECTRONIC DEVICE**

(71) Applicant: **Samsung Electronics Co., Ltd.**,  
Suwon-si, Gyeonggi-do (KR)

(72) Inventors: **Eunha Choi**, Seoul (KR); **Inshik Kim**,  
Seongnam-si (KR)

(73) Assignee: **SAMSUNG ELECTRONICS CO., LTD.** (KR)

(\*\*) Term: **14 Years**

(21) Appl. No.: **29/508,877**

(22) Filed: **Nov. 12, 2014**

(30) **Foreign Application Priority Data**

May 14, 2014 (KR) ..... 30-2014-0023725

(51) **LOC (10) Cl.** ..... **21-01**

(52) **U.S. Cl.**  
USPC ..... **D21/333; D14/401**

(58) **Field of Classification Search**  
USPC ..... D21/324, 328, 333, 385, 477, 566;  
D14/399-402, 412, 414, 416, 432;  
273/148 B, 449, 441, 442; 463/1,  
463/29-35, 46, 47; 345/156, 161; 434/45,  
434/46  
CPC ..... A63F 13/00; A63F 13/02; A63F 9/00;  
G09G 9/00  
See application file for complete search history.

(56) **References Cited**

**U.S. PATENT DOCUMENTS**

5,643,087 A \* 7/1997 Marcus ..... A63F 13/03  
273/148 B  
5,645,277 A \* 7/1997 Cheng ..... A63F 13/06  
273/148 B  
5,667,220 A \* 9/1997 Cheng ..... A63F 13/06  
273/148 B

D505,424 S \* 5/2005 Ashida ..... D14/401  
D601,564 S \* 10/2009 Maeno ..... D14/400  
7,639,478 B2 \* 12/2009 Wu ..... H05K 5/0008  
312/223.2  
D614,705 S \* 4/2010 Biheller ..... D14/400  
8,439,753 B2 \* 5/2013 Wakitani ..... A63F 13/06  
273/148 B  
8,731,218 B2 \* 5/2014 Yeates ..... H01H 9/0228  
381/105  
D719,165 S \* 12/2014 Hill ..... D14/412  
D729,803 S \* 5/2015 Avery ..... D14/401  
D740,369 S \* 10/2015 Cho ..... D21/333

\* cited by examiner

*Primary Examiner* — Prabhakar Deshmukh

(74) *Attorney, Agent, or Firm* — Cantor Colburn LLP

(57) **CLAIM**

The ornamental design for a controller for electronic device, as shown and described.

**DESCRIPTION**

FIG. 1 is a perspective view of a controller for electronic device, showing our new design;  
FIG. 2 is a front view thereof;  
FIG. 3 is a rear view thereof;  
FIG. 4 is a left-side view thereof;  
FIG. 5 is a right-side view thereof;  
FIG. 6 is a top plan view thereof;  
FIG. 7 is a bottom plan view thereof;  
FIG. 8 is another perspective view thereof, as shown in another configuration; and,  
FIG. 9 is still another perspective view thereof, as shown in a further configuration.  
The broken in the figures show portions of the controller for electronic device which form no part of the claimed design. FIG. 8 discloses the invention of FIGS. 1-7 as separated in two parts while FIG. 9 discloses the same invention as joined together.

**1 Claim, 9 Drawing Sheets**

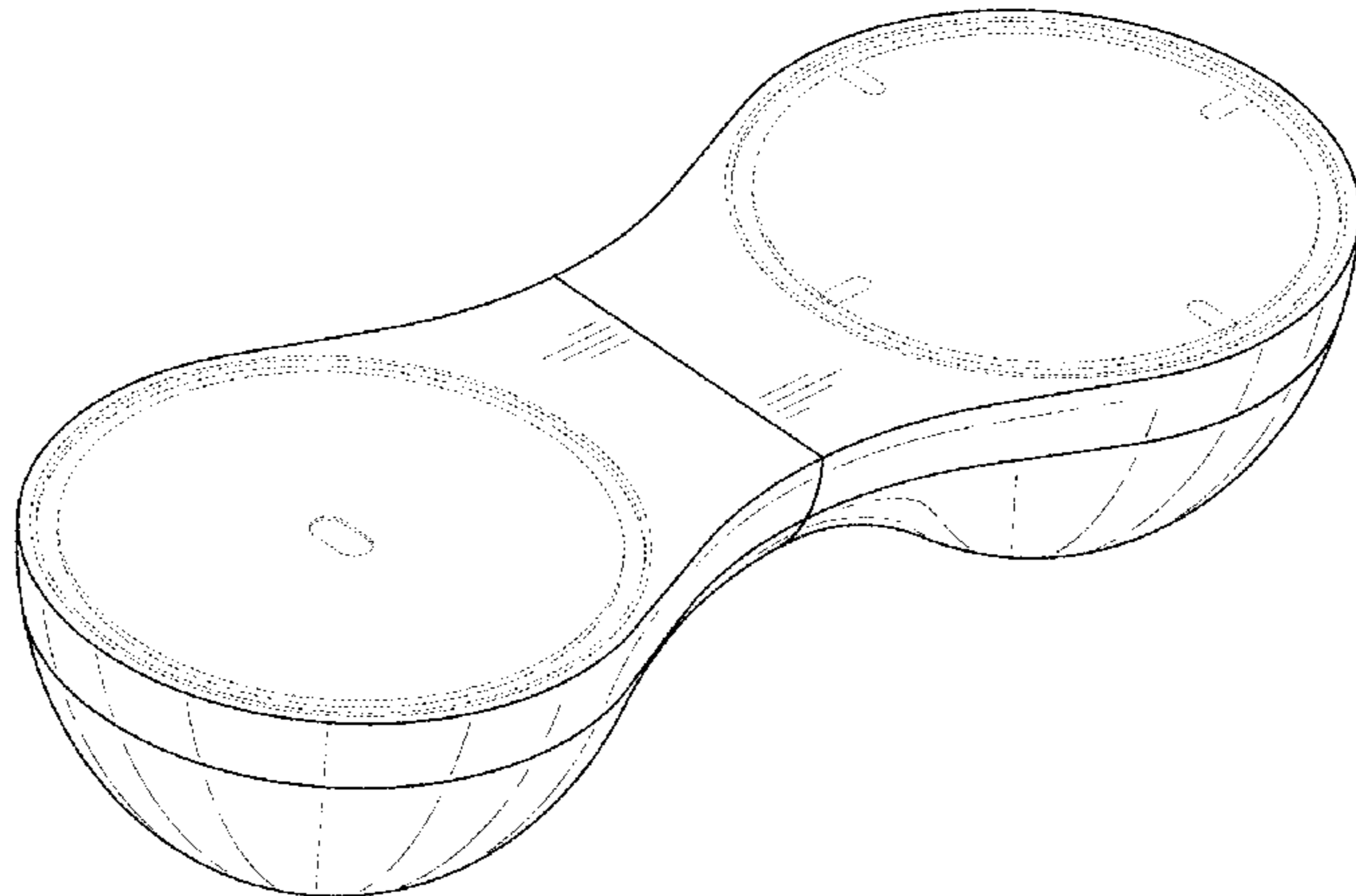


FIG. 1

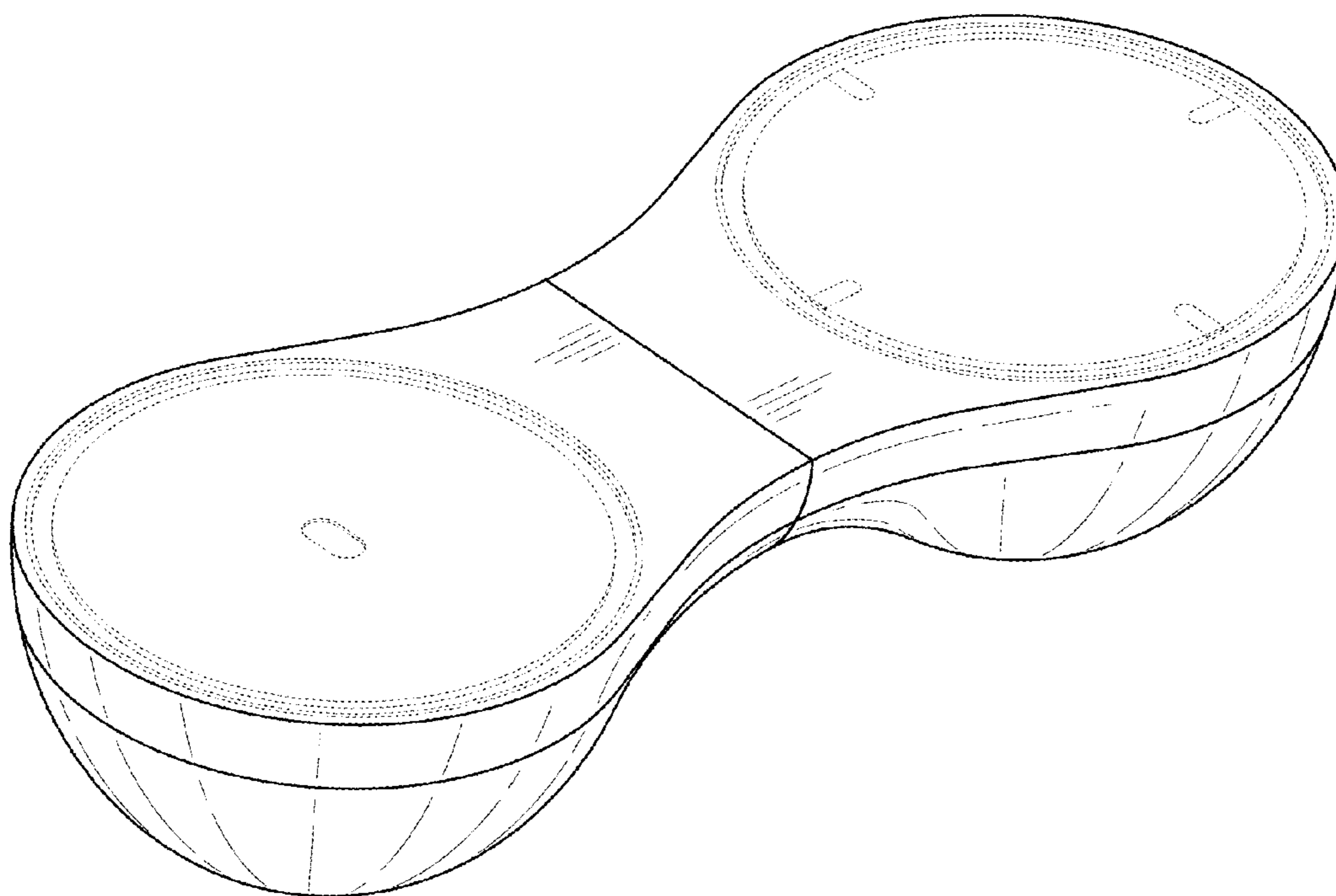


FIG. 2

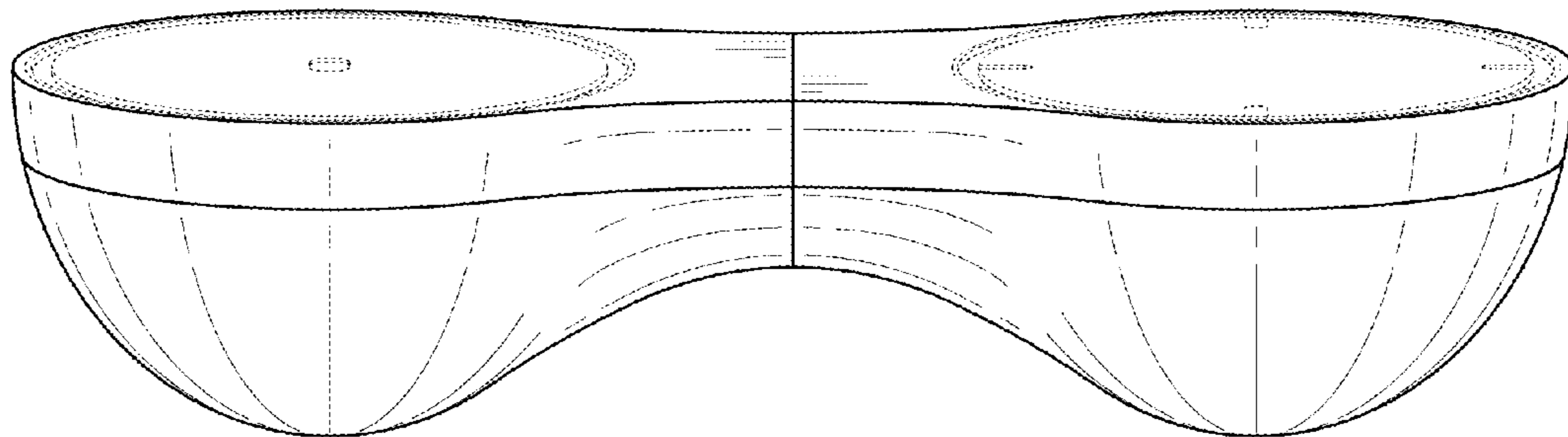


FIG. 3

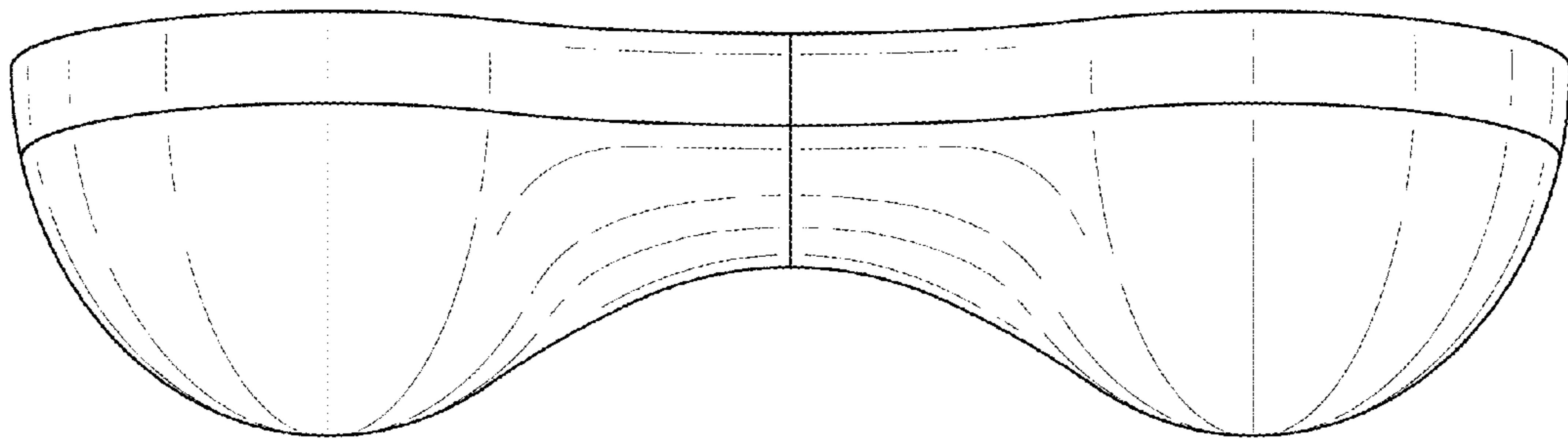


FIG. 4

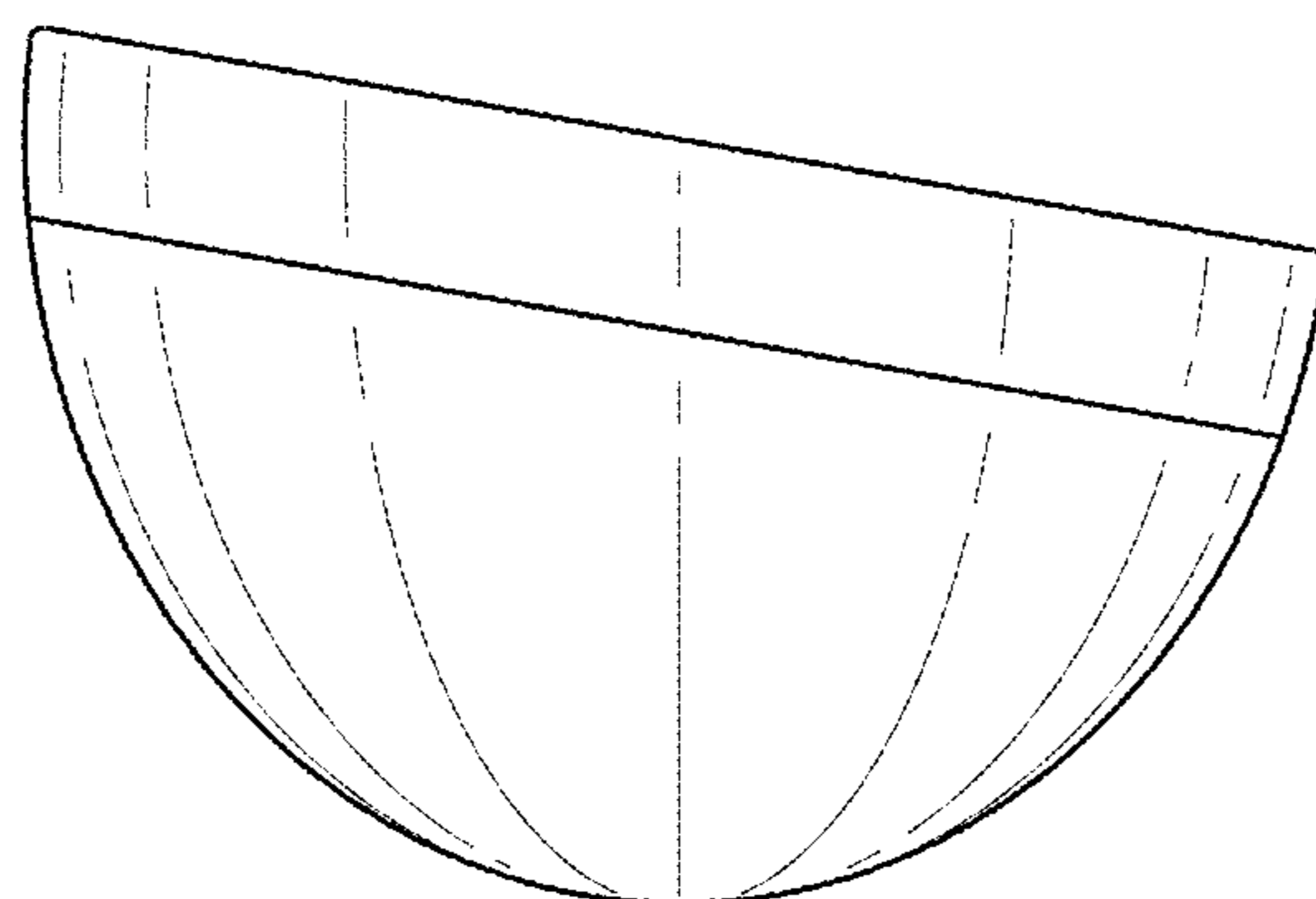


FIG. 5

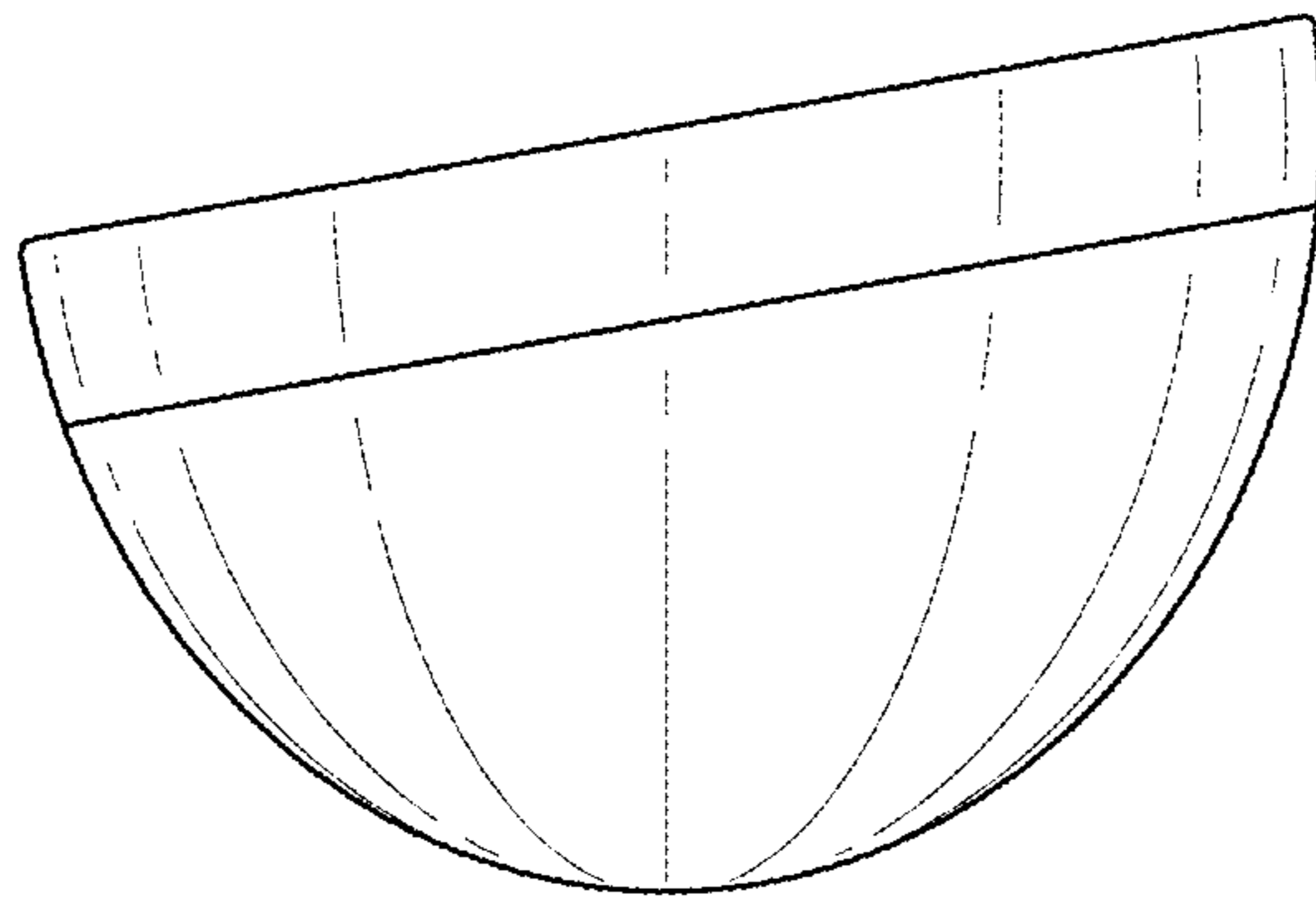


FIG. 6

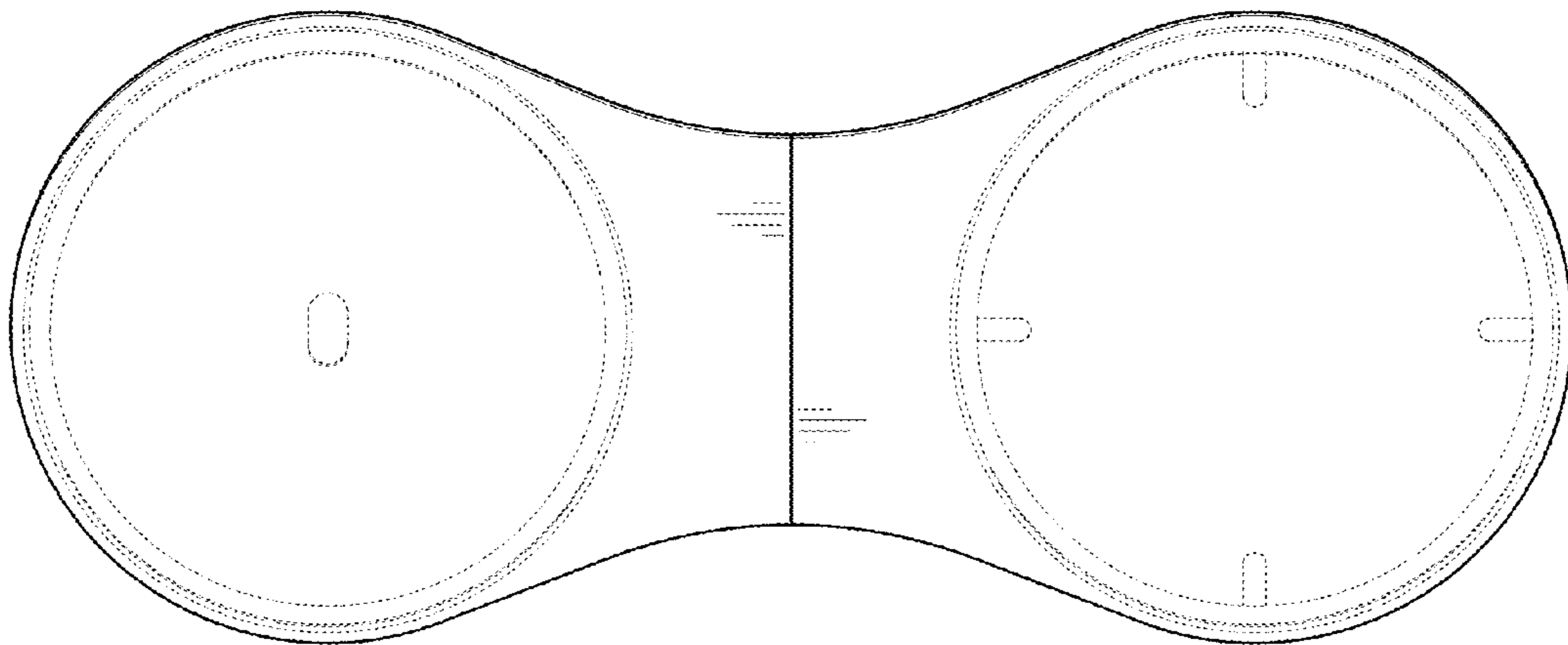


FIG. 7

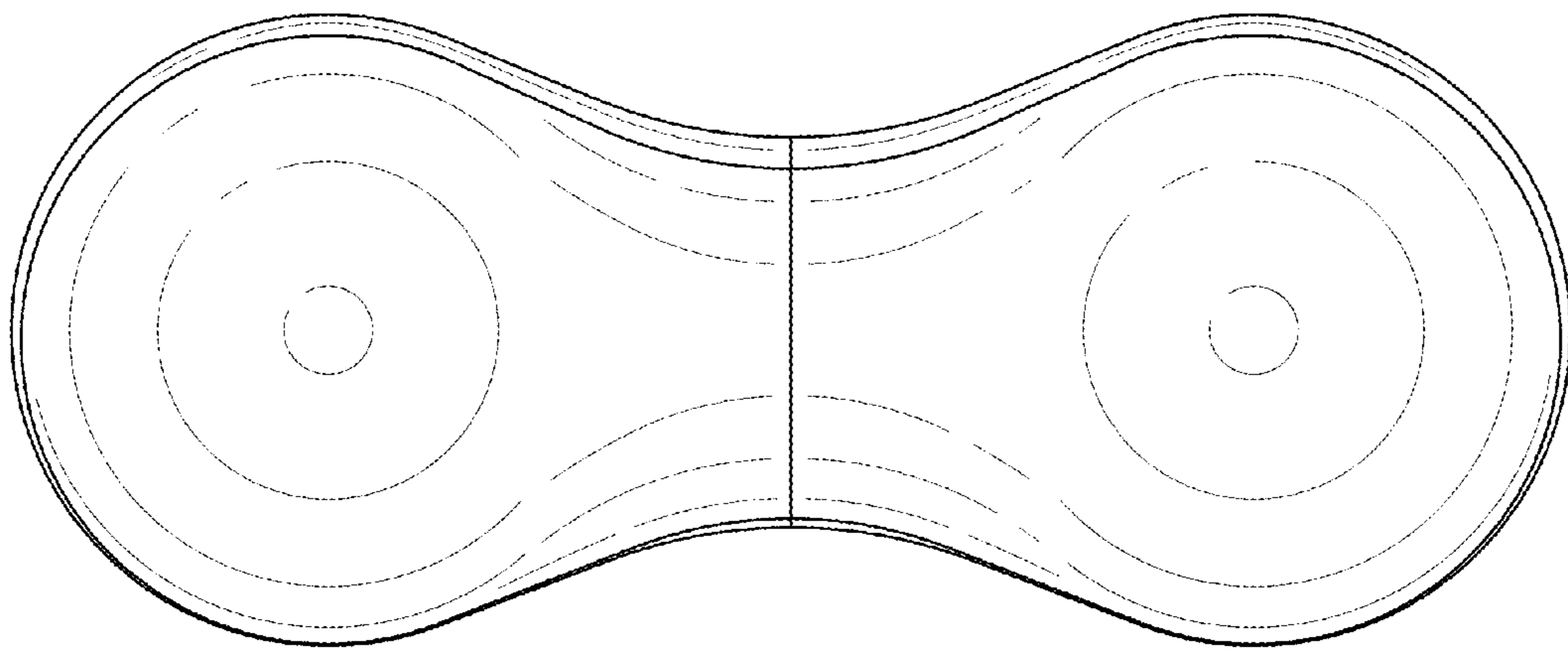




FIG. 8

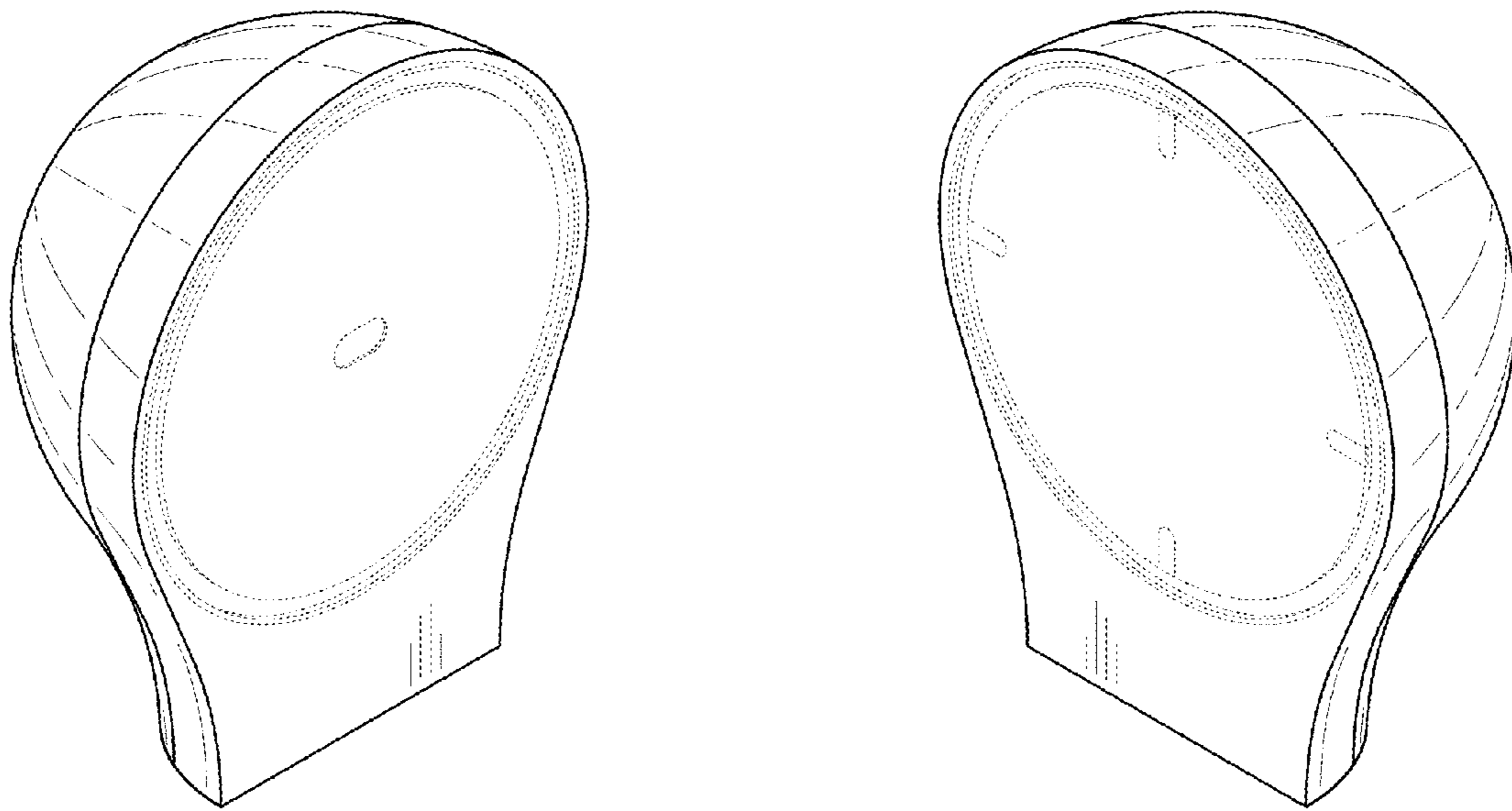


FIG. 9

