



US00D753234S

(12) **United States Design Patent**
Sakai et al.

(10) **Patent No.:** **US D753,234 S**

(45) **Date of Patent:** **** Apr. 5, 2016**

(54) **GAME MACHINE**

(71) Applicant: **BANDAI NAMCO GAMES INC.**,
Tokyo (JP)

(72) Inventors: **Tsuyoshi Sakai**, Yokohama (JP); **Yasuji Fukutomi**, Tokyo (JP); **Jun Arai**, Setagaya (JP); **Kiwamu Nakamura**, Yokohama (JP); **Shoichiro Akamatsu**, Kamakura (JP)

(73) Assignee: **BANDAI NAMCO ENTERTAINMENT, INC.**, Tokyo (JP)

(**) Term: **14 Years**

(21) Appl. No.: **29/512,739**

(22) Filed: **Dec. 22, 2014**

(30) **Foreign Application Priority Data**

Nov. 28, 2014 (EM) 002587501-0001

(51) **LOC (10) Cl.** **21-01**

(52) **U.S. Cl.**
USPC **D21/327**

(58) **Field of Classification Search**
USPC D21/324, 328, 333, 369, 371, 385;
273/148 B, 138.1, 236; 463/1, 16-31,
463/42, 46, 47
CPC A63F 13/00; A63F 9/00; A63F 9/24;
G06F 13/00; G06F 13/06; G06F 19/00
See application file for complete search history.

(56) **References Cited**

U.S. PATENT DOCUMENTS

5,299,810 A * 4/1994 Pierce A63F 13/005
273/442
D392,688 S * 3/1998 Isetani D21/326
D396,898 S * 8/1998 Tsuda D21/326
6,410,835 B2 * 6/2002 Suzuki 434/250
6,471,586 B1 * 10/2002 Aiki A63F 13/08
434/61

D466,161 S * 11/2002 Takahashi D21/327
6,612,929 B2 * 9/2003 Fujimoto A63F 13/06
463/32
D480,770 S * 10/2003 Collins D21/626
6,739,974 B2 * 5/2004 Kanno A63F 13/10
273/148 B
D545,912 S * 7/2007 Nunokawa D21/326
D641,048 S * 7/2011 Nunokawa D21/327
D658,721 S * 5/2012 Yang D21/326

FOREIGN PATENT DOCUMENTS

CN 2009 3 0203713.8 7/2010

OTHER PUBLICATIONS

Jun. 19, 2009 Office Action issued in Japanese Patent Application No. 2009-003416.

* cited by examiner

Primary Examiner — Prabhakar Deshmukh

(74) *Attorney, Agent, or Firm* — Oliff PLC

(57) **CLAIM**

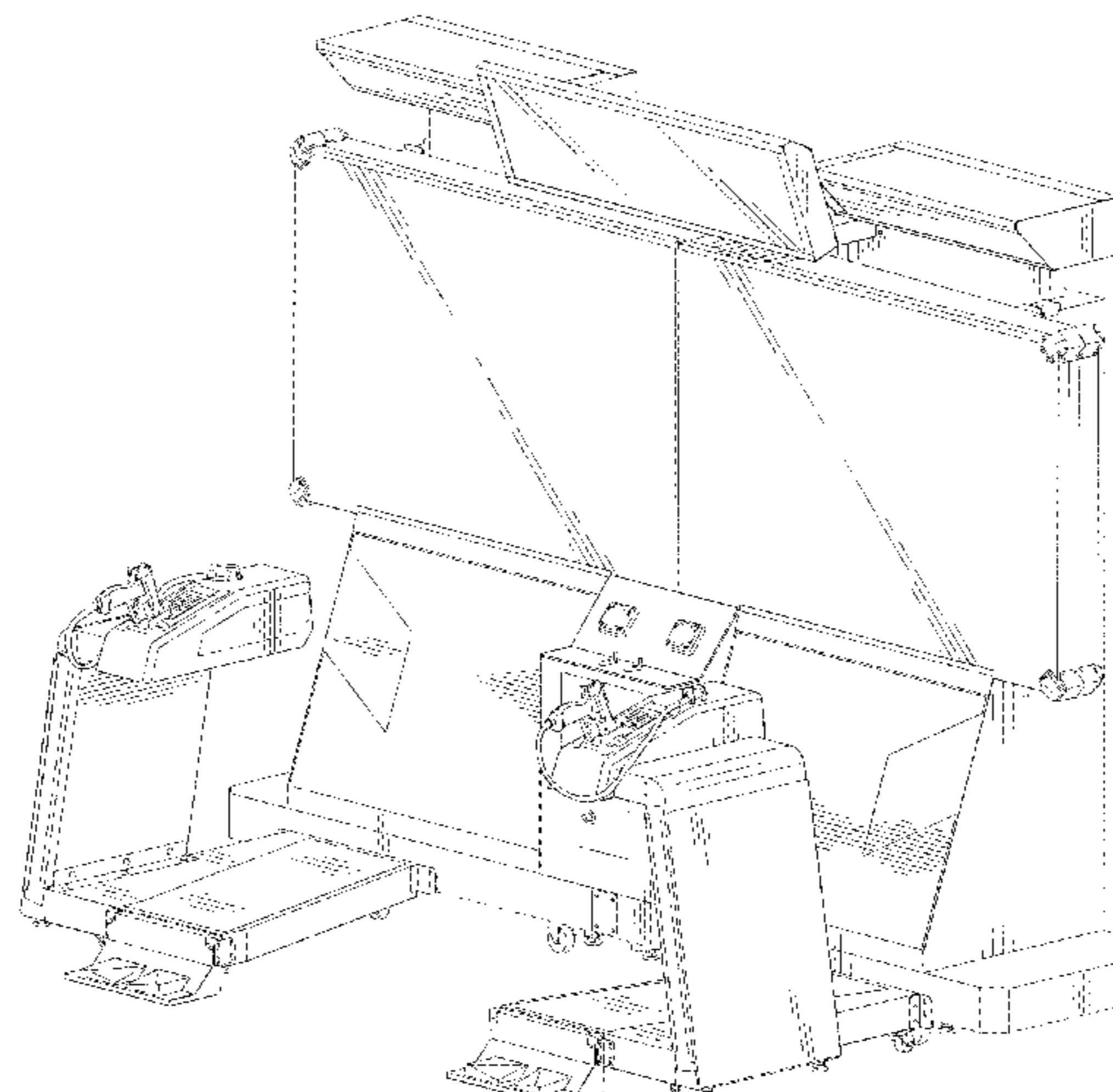
The ornamental design for a game machine, as shown and described.

DESCRIPTION

FIG. 1 is a front, top, right-side perspective view of the game machine;
FIG. 2 is a front elevational view thereof;
FIG. 3 is a top plan view thereof;
FIG. 4 is a right-side elevational view thereof;
FIG. 5 is a left-side elevational view thereof;
FIG. 6 is a rear elevational view thereof; and,
FIG. 7 is a bottom plan view thereof.

The broken lines depict unclaimed portions and form no part of the claimed design. The broken lines adjacent to the surface shading define the boundary of the claimed design and form no part of the claimed design.

1 Claim, 7 Drawing Sheets



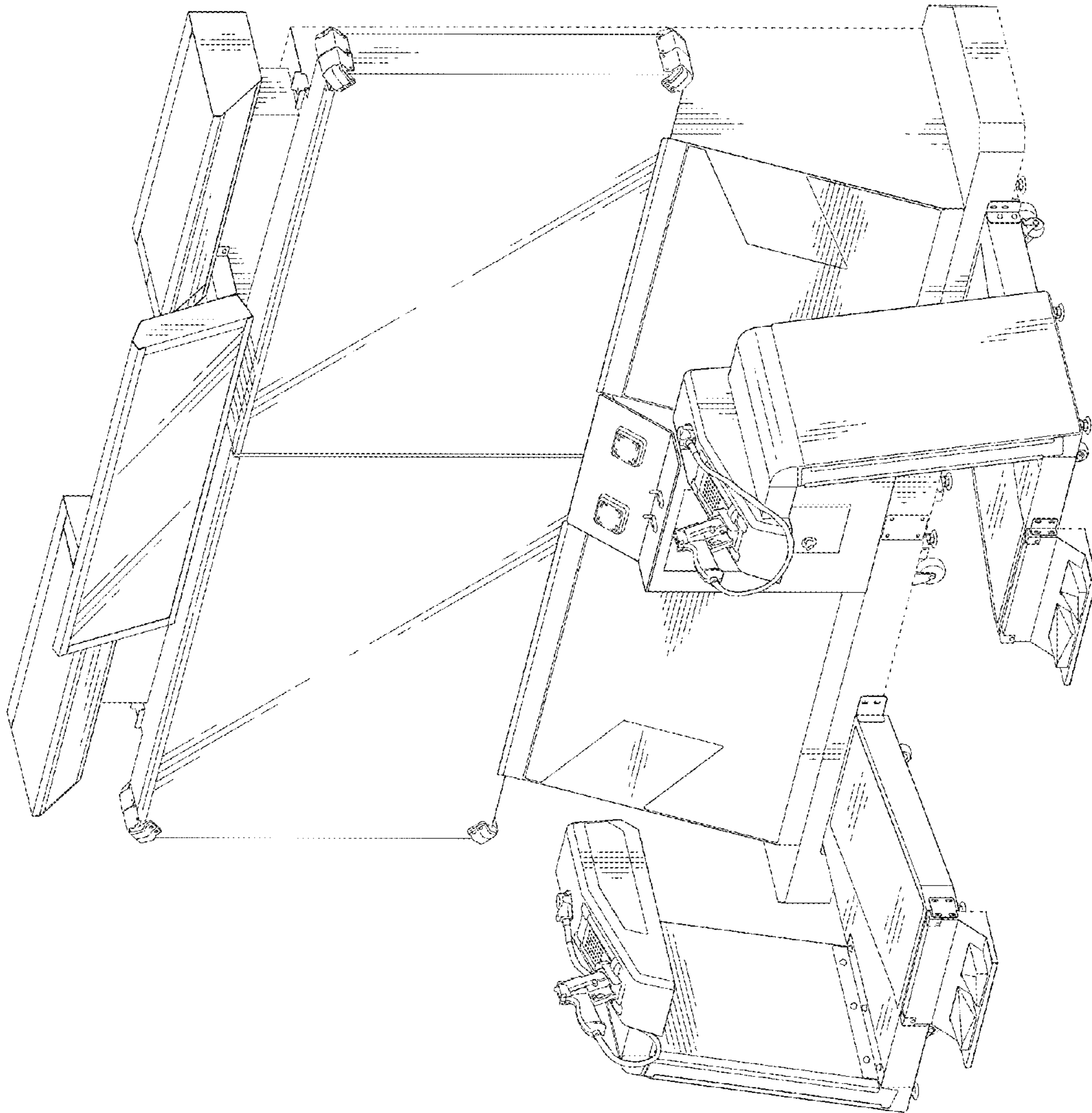


FIG. 1

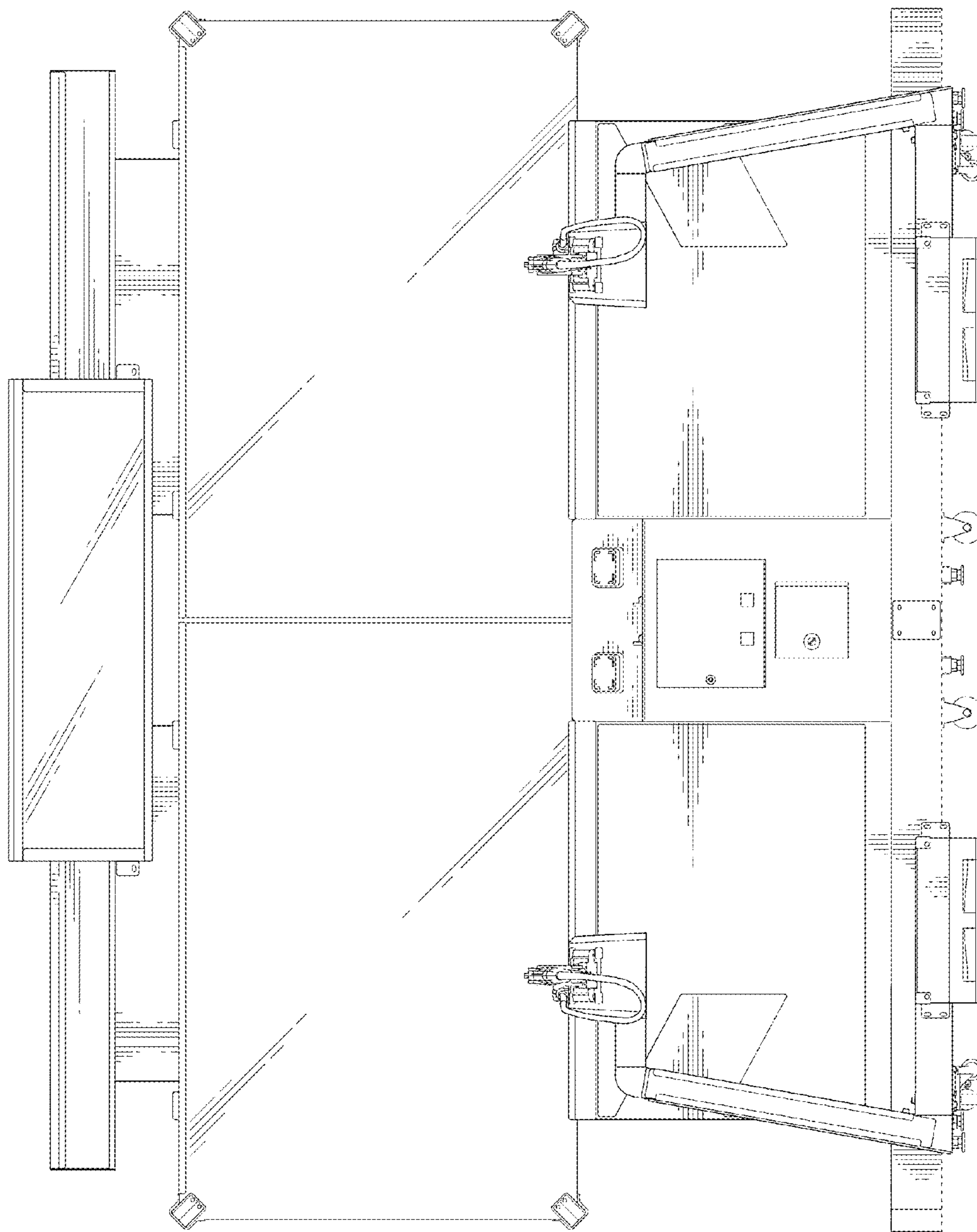


FIG. 2

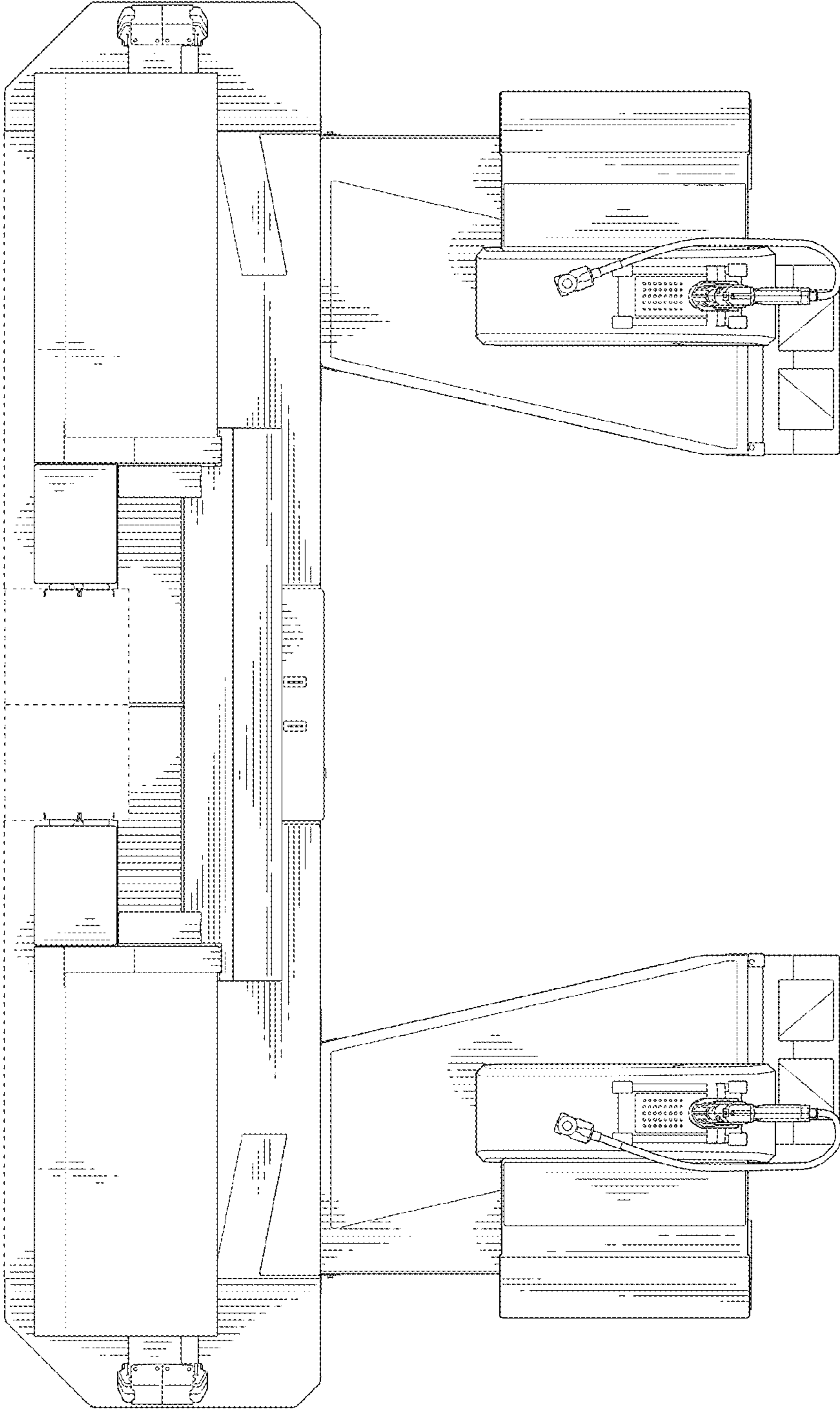


FIG. 3

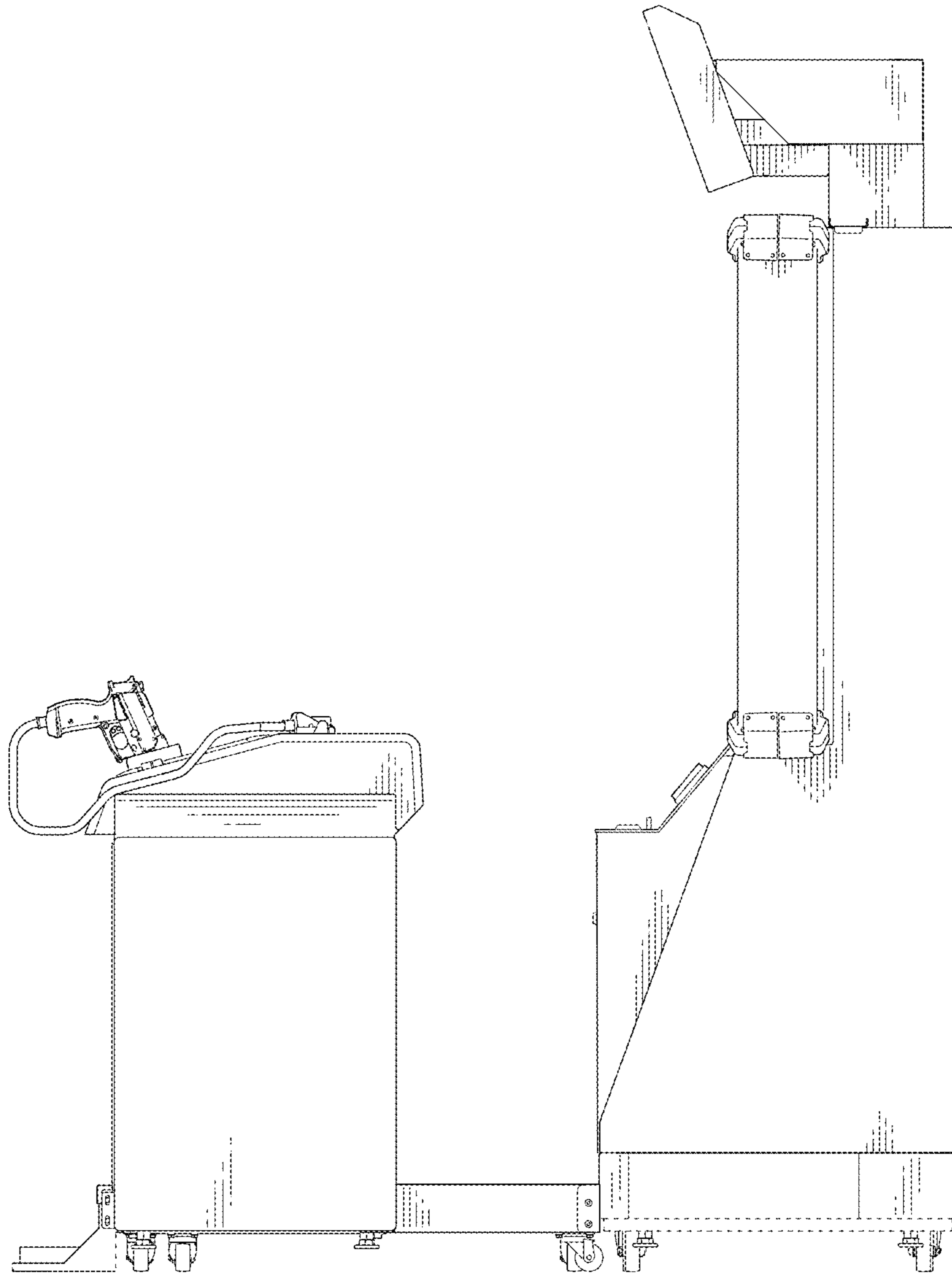


FIG. 4

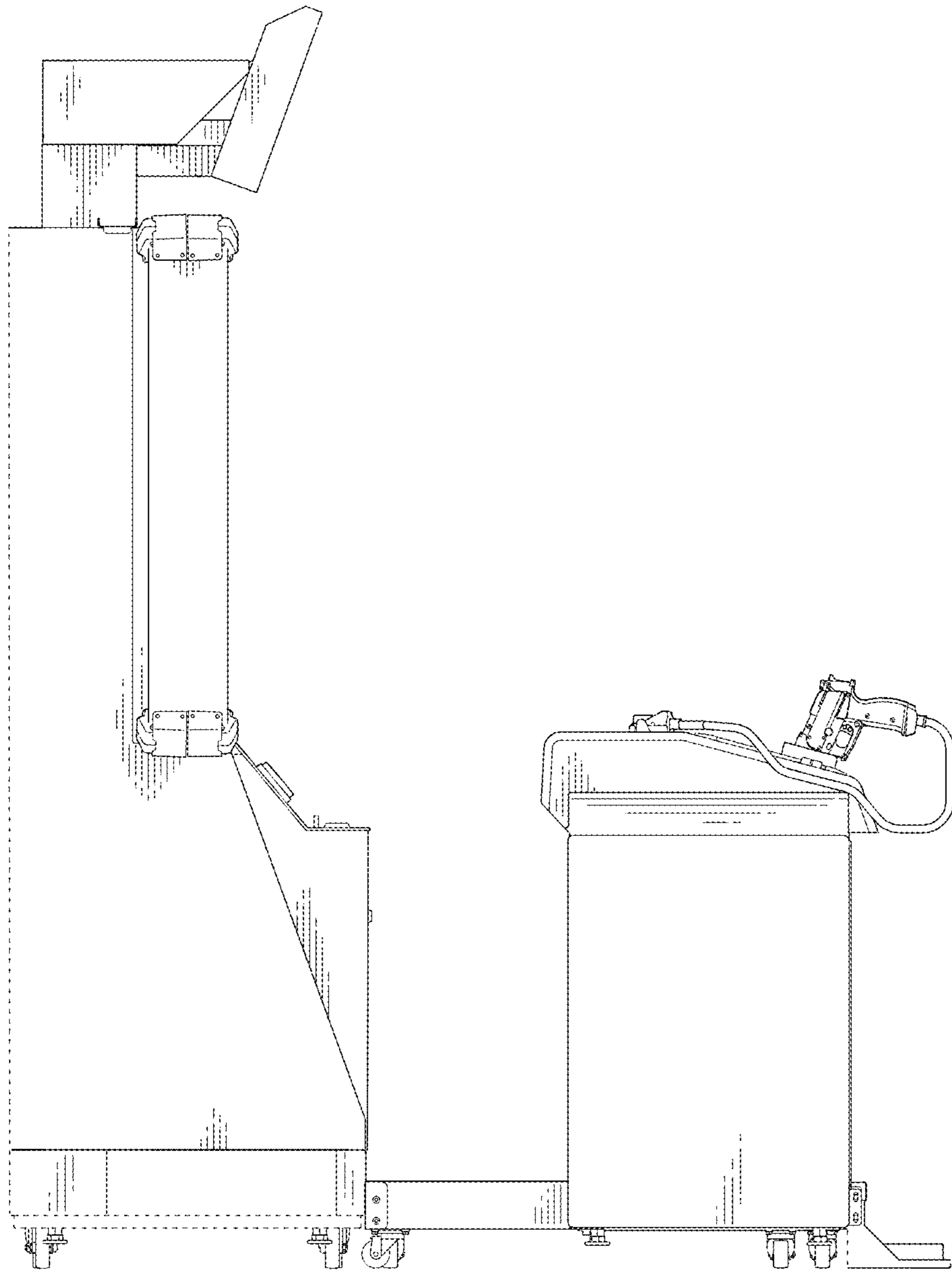


FIG. 5

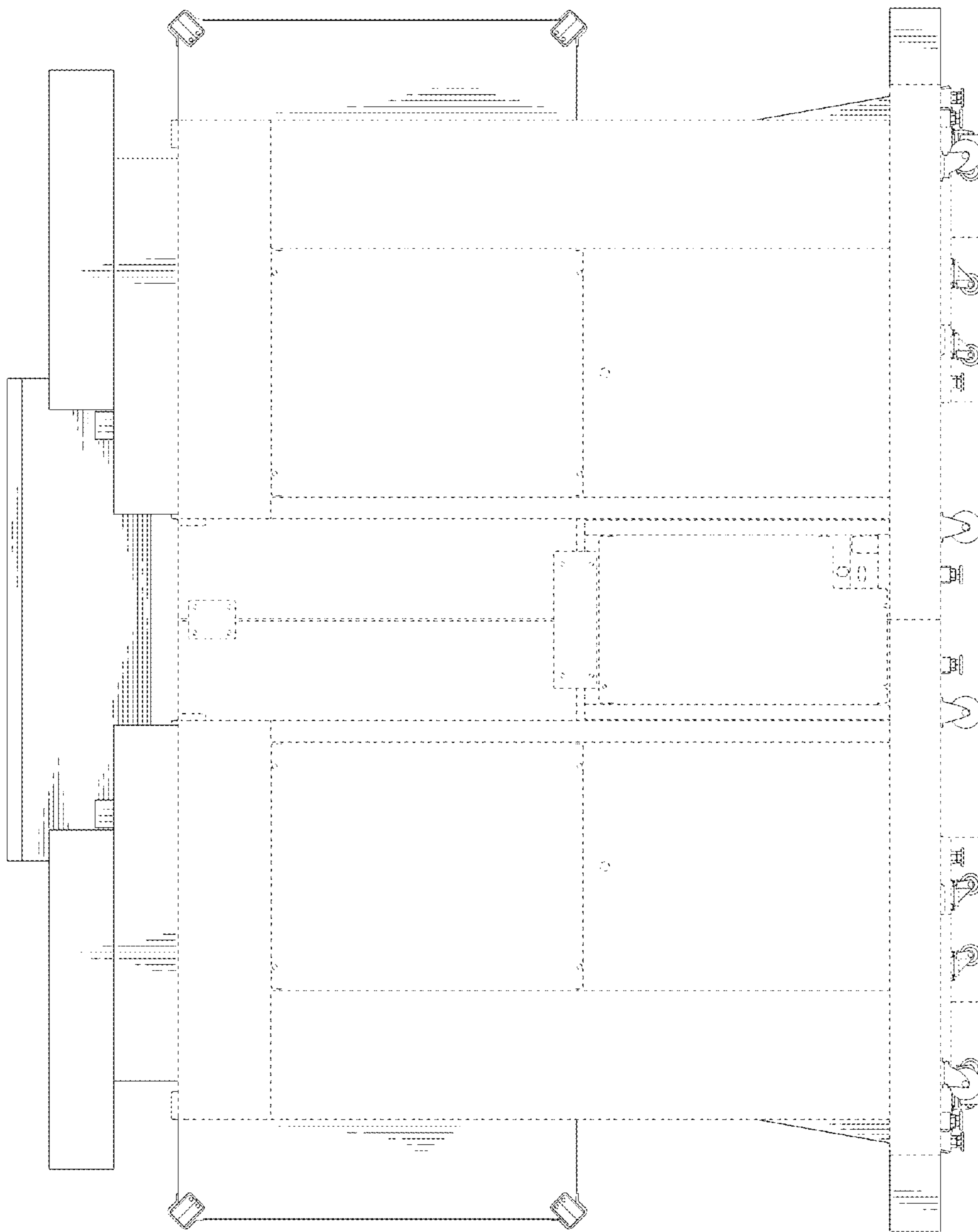


FIG. 6

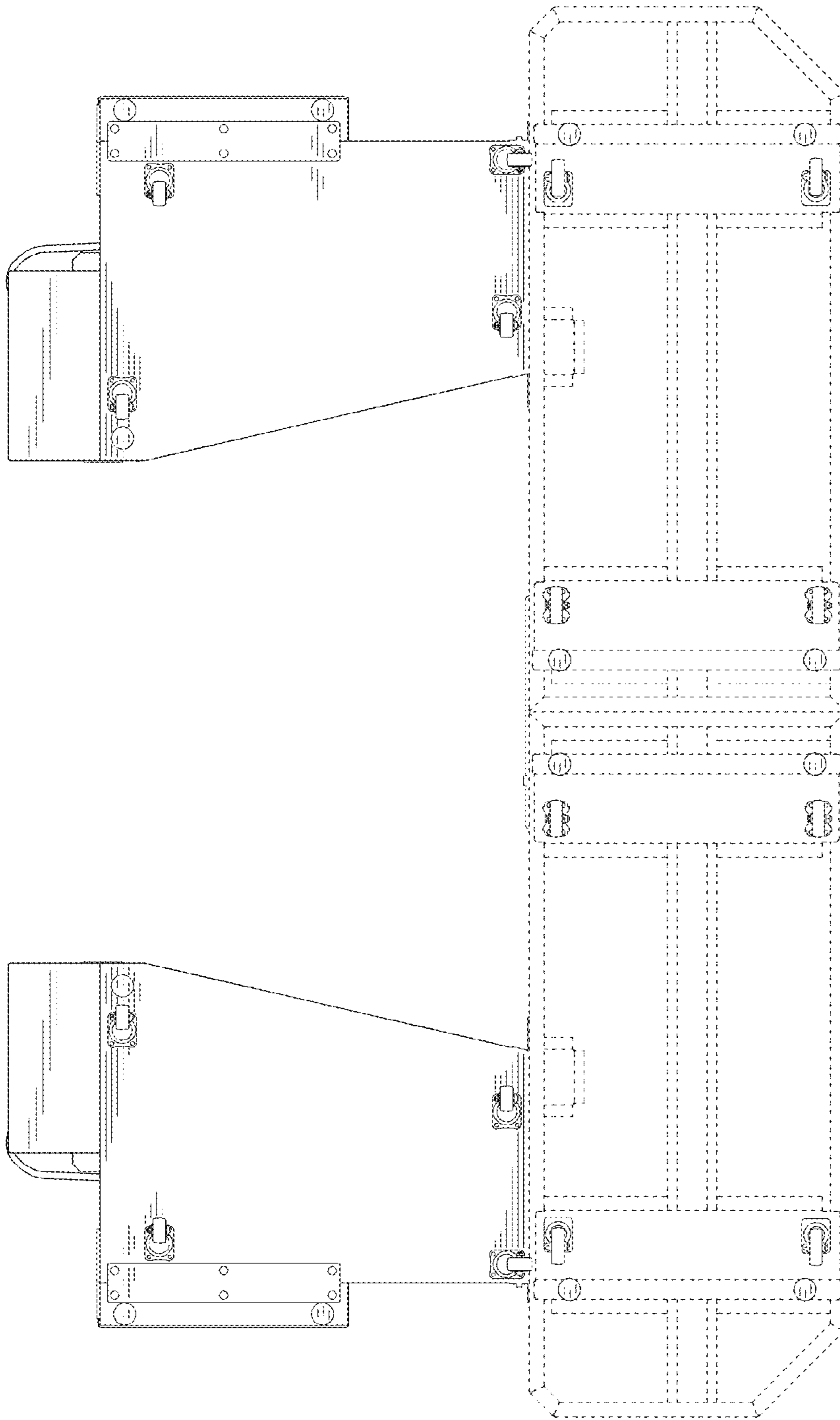


FIG. 7