



US00D753231S

(12) **United States Design Patent**  
**Sakai et al.**

(10) **Patent No.:** **US D753,231 S**  
(45) **Date of Patent:** **\*\* Apr. 5, 2016**

(54) **CHASSIS FOR GAME MACHINE**  
(71) Applicant: **BANDAI NAMCO GAMES, INC.**,  
Tokyo (JP)  
(72) Inventors: **Tsuyoshi Sakai**, Yokohama (JP); **Yasuji Fukutomi**, Tokyo (JP); **Jun Arai**, Tokyo (JP); **Kiwamu Nakamura**, Yokohama (JP); **Shoichiro Akamatsu**, Kamakura (JP)

6,471,586 B1 \* 10/2002 Aiki ..... A63F 13/08  
434/61  
D466,161 S \* 11/2002 Takahashi ..... D21/327  
6,612,929 B2 \* 9/2003 Fujimoto ..... A63F 13/06  
463/32  
D480,770 S \* 10/2003 Collins ..... D21/626  
6,739,974 B2 \* 5/2004 Kanno ..... A63F 13/10  
273/148 B  
D545,912 S \* 7/2007 Nunokawa ..... D21/326  
D641,048 S \* 7/2011 Nunokawa ..... D21/327  
D658,721 S \* 5/2012 Yang ..... D21/326

(73) Assignee: **BANDAI NAMCO ENTERTAINMENT, INC.**, Tokyo (JP)

FOREIGN PATENT DOCUMENTS  
CN 2009 3 0203715.7 7/2010  
ZL

(\*\*) Term: **14 Years**

OTHER PUBLICATIONS

(21) Appl. No.: **29/512,731**

May 26, 2009 Office Action issued in Japanese Patent Application No. 2009-003415.

(22) Filed: **Dec. 22, 2014**

\* cited by examiner

(30) **Foreign Application Priority Data**

Nov. 28, 2014 (EM) ..... 002587584-0002

*Primary Examiner* — Prabhakar Deshmukh  
(74) *Attorney, Agent, or Firm* — Oliff PLC

(51) **LOC (10) Cl.** ..... **21-01**

(57) **CLAIM**

(52) **U.S. Cl.**  
USPC ..... **D21/326**

The ornamental design for a chassis for game machine, as shown and described.

(58) **Field of Classification Search**

**DESCRIPTION**

USPC ..... D21/324, 328, 333, 369, 371, 385;  
273/148 B, 138.1, 236; 463/1, 16-31,  
463/42, 46, 47  
CPC ..... A63F 13/00; A63F 9/00; A63F 9/24;  
G06F 13/00; G06F 13/06; G06F 19/00  
See application file for complete search history.

FIG. 1 is a front, top, right-side perspective view of the chassis for game machine;  
FIG. 2 is a front elevational view thereof;  
FIG. 3 is a top plan view thereof;  
FIG. 4 is a right-side elevational view thereof;  
FIG. 5 is a left-side elevational view thereof;  
FIG. 6 is a rear elevational view thereof; and,  
FIG. 7 is a bottom plan view thereof.

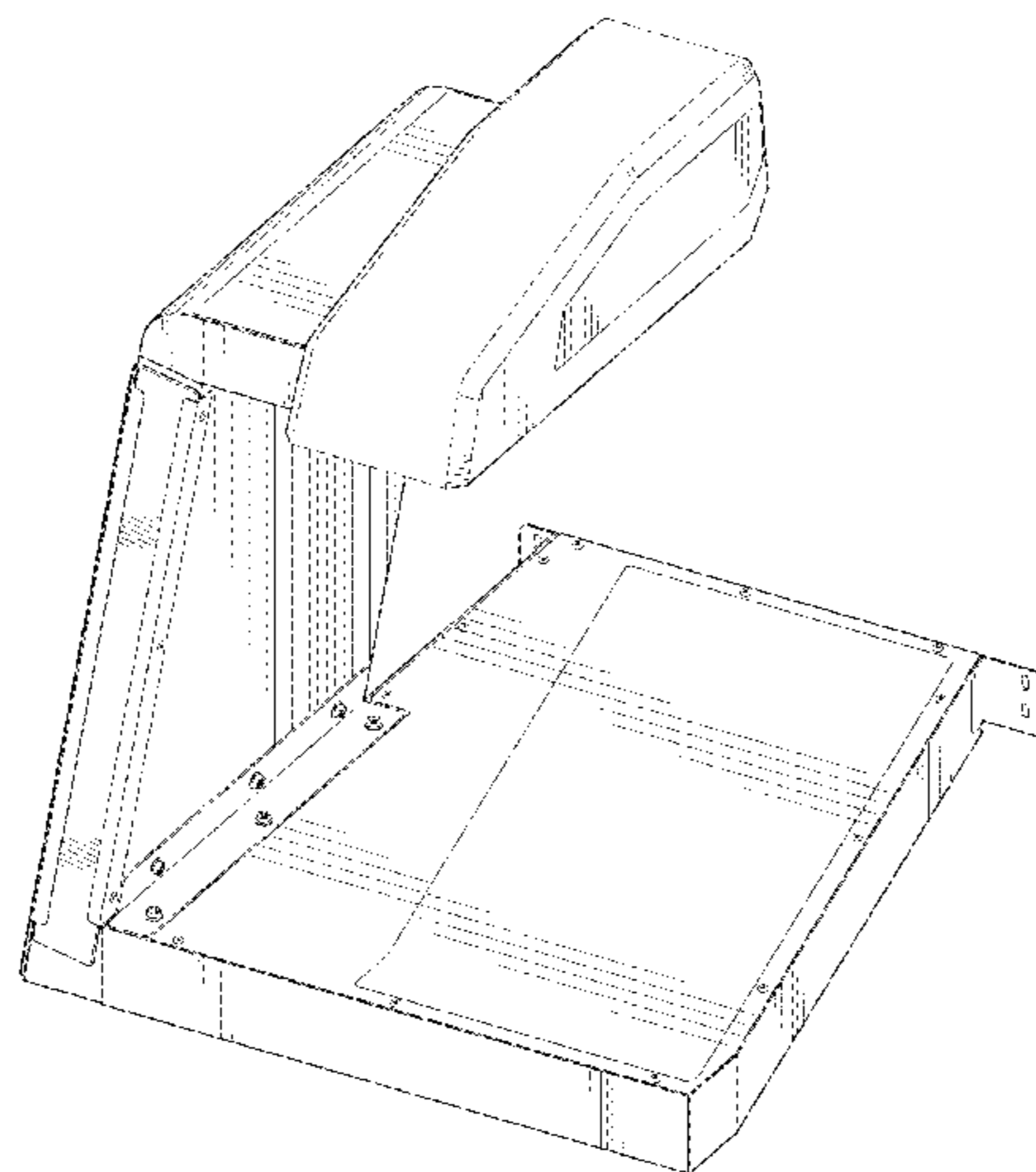
(56) **References Cited**

U.S. PATENT DOCUMENTS

5,299,810 A \* 4/1994 Pierce ..... A63F 13/005  
273/442  
D392,688 S \* 3/1998 Isetani ..... D21/326  
D396,898 S \* 8/1998 Tsuda ..... D21/326  
6,410,835 B2 \* 6/2002 Suzuki ..... 434/250

The broken lines depict unclaimed portions and form no part of the claimed design. The broken lines adjacent to the surface shading define the boundary of the claimed design and form no part of the claimed design.

**1 Claim, 7 Drawing Sheets**



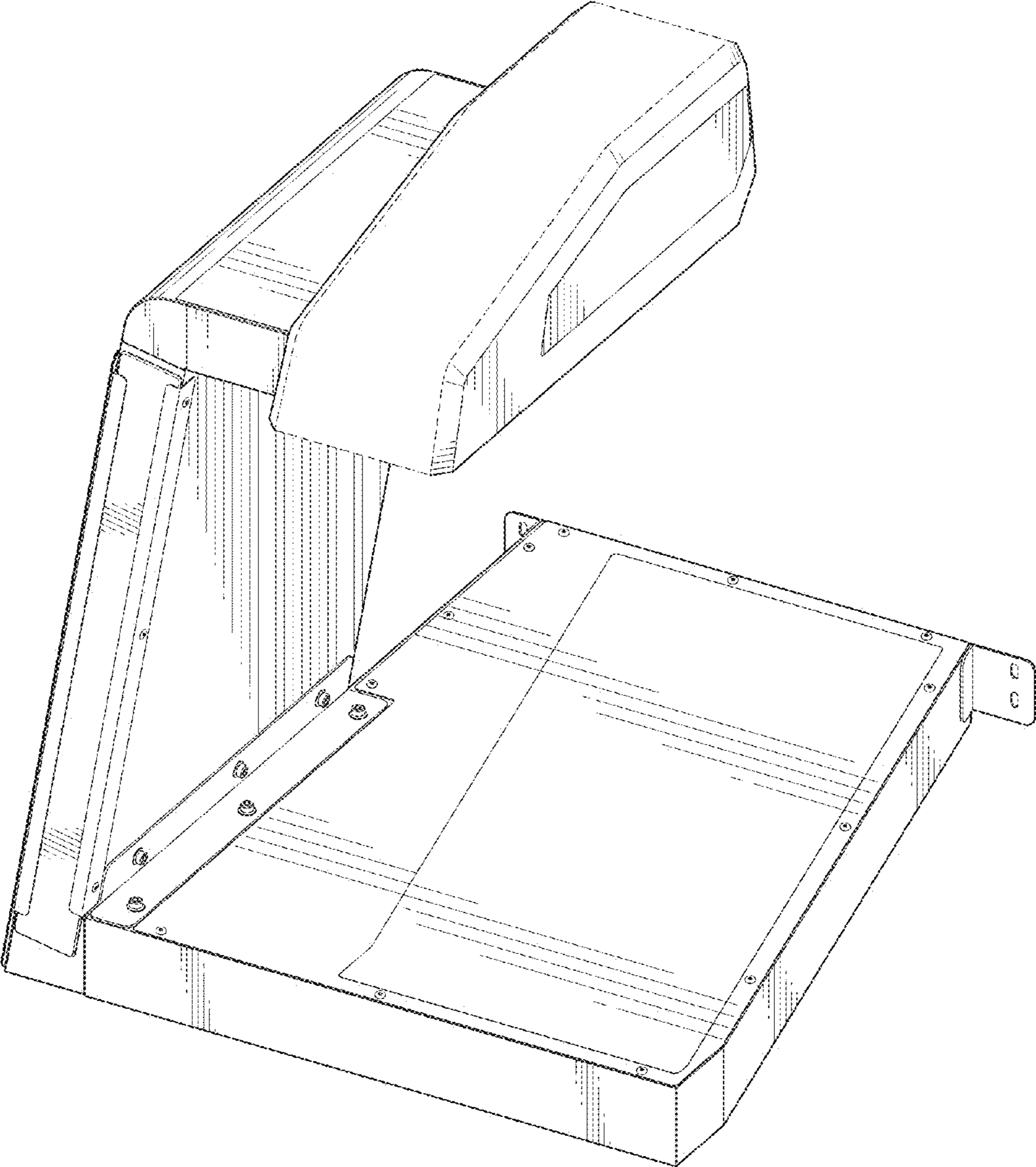


FIG. 1

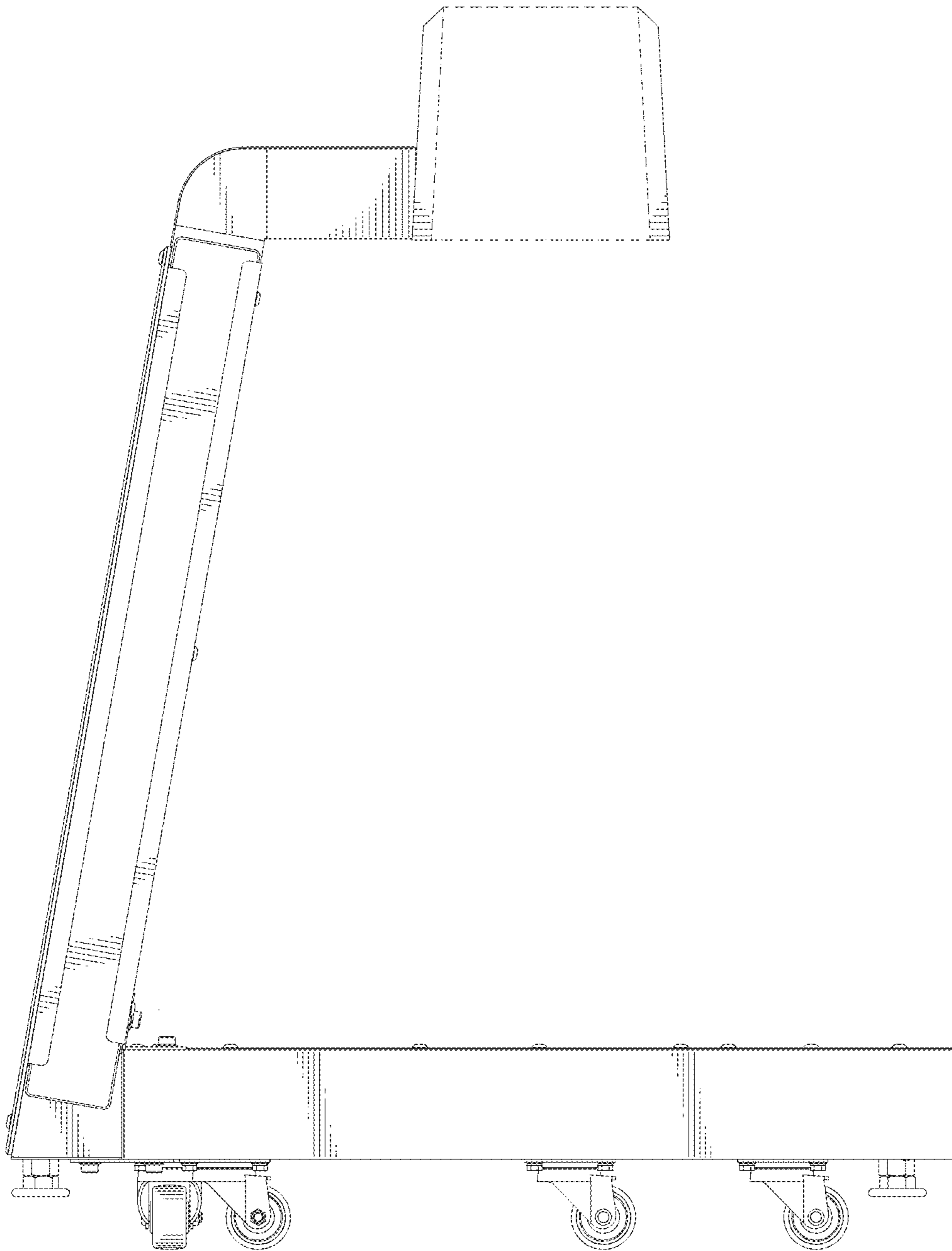


FIG. 2

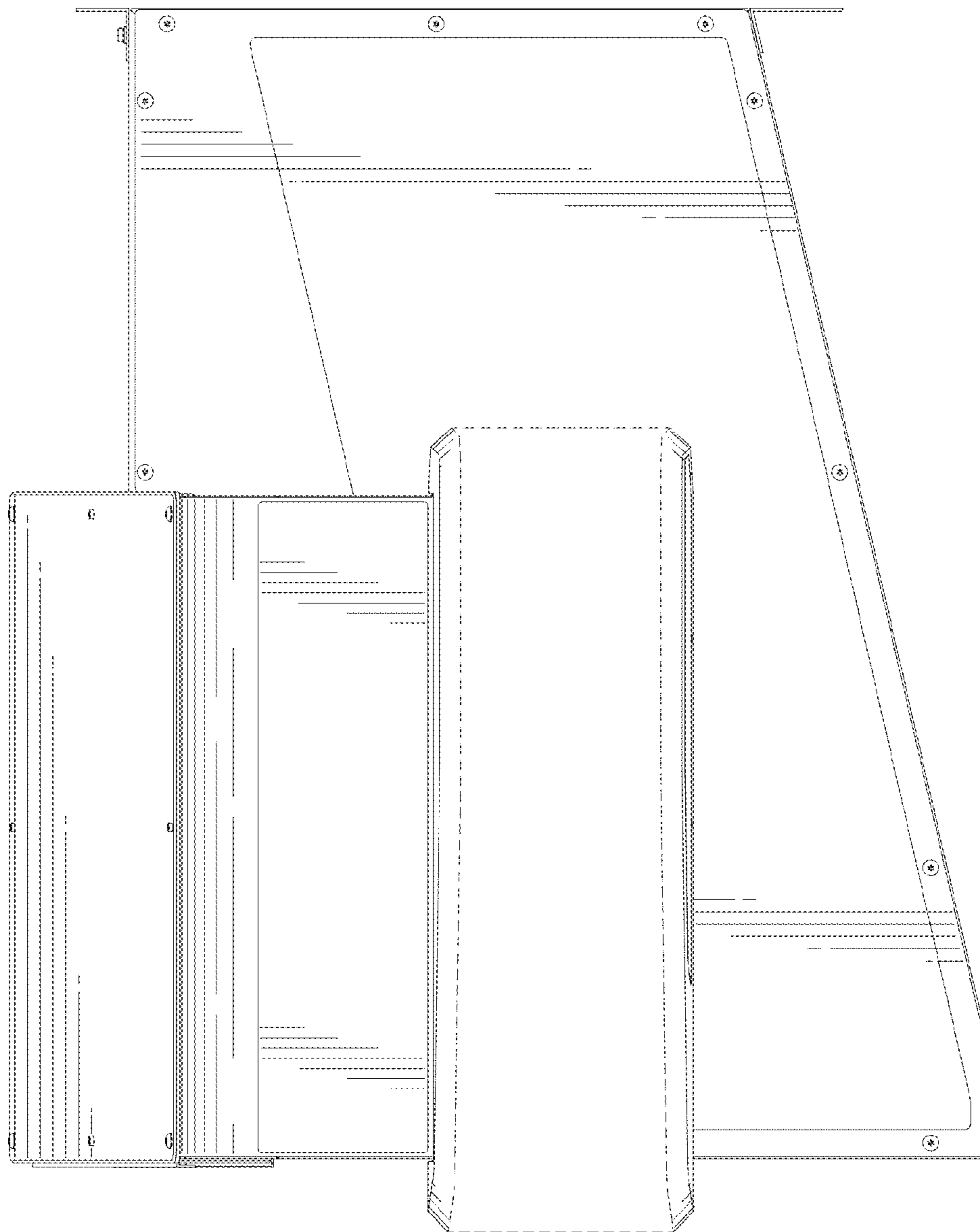


FIG. 3

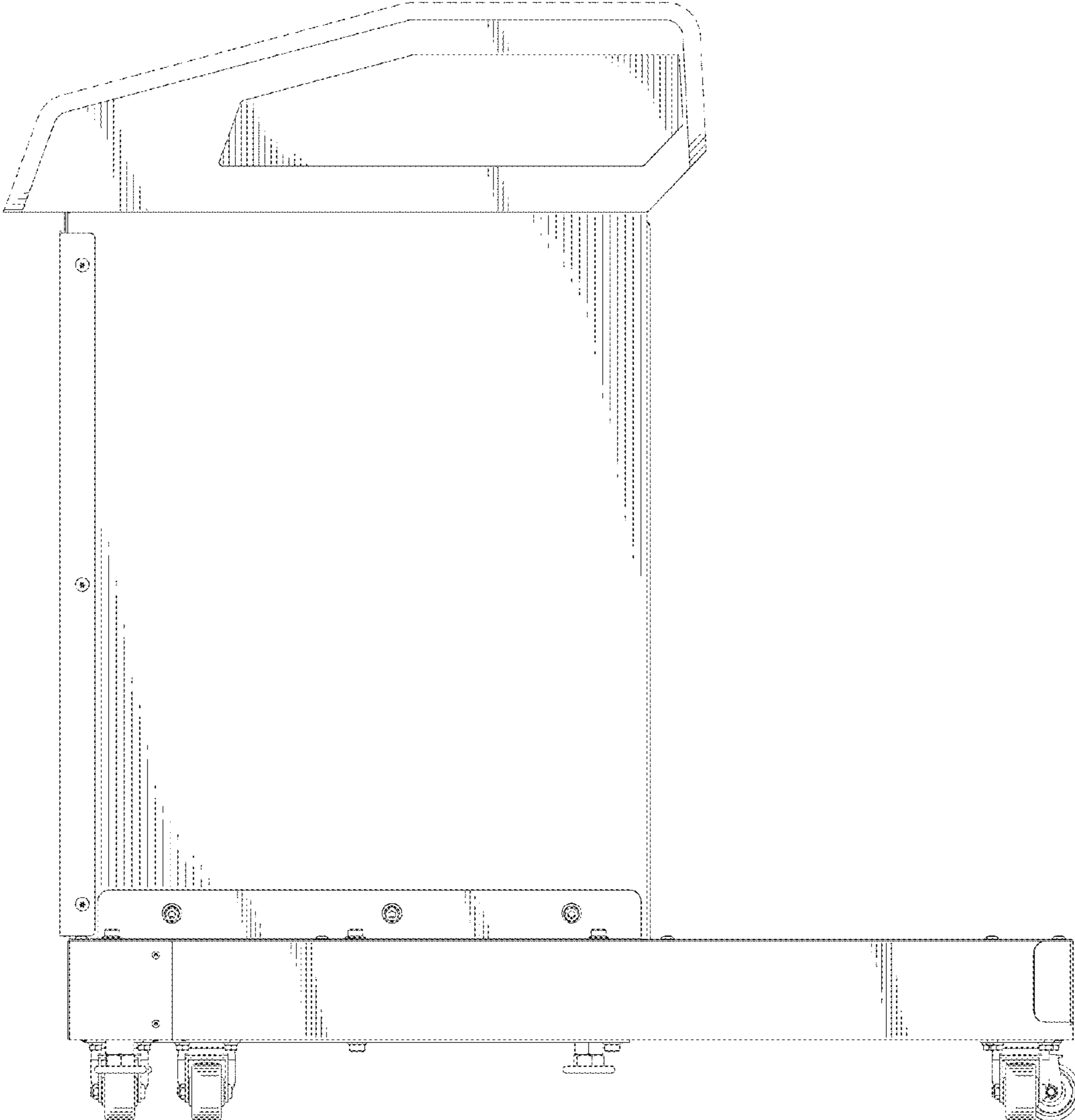


FIG. 4

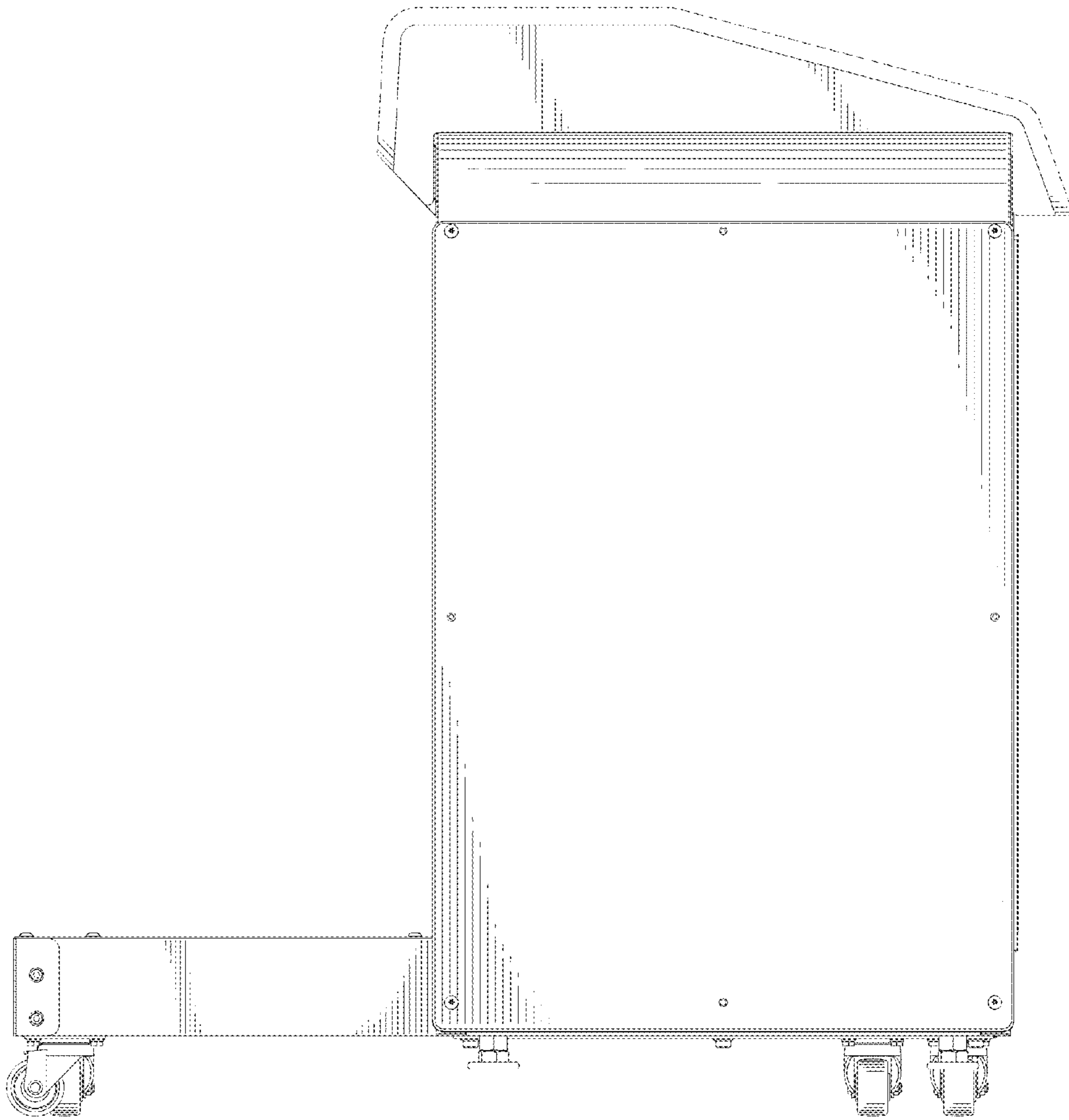


FIG. 5

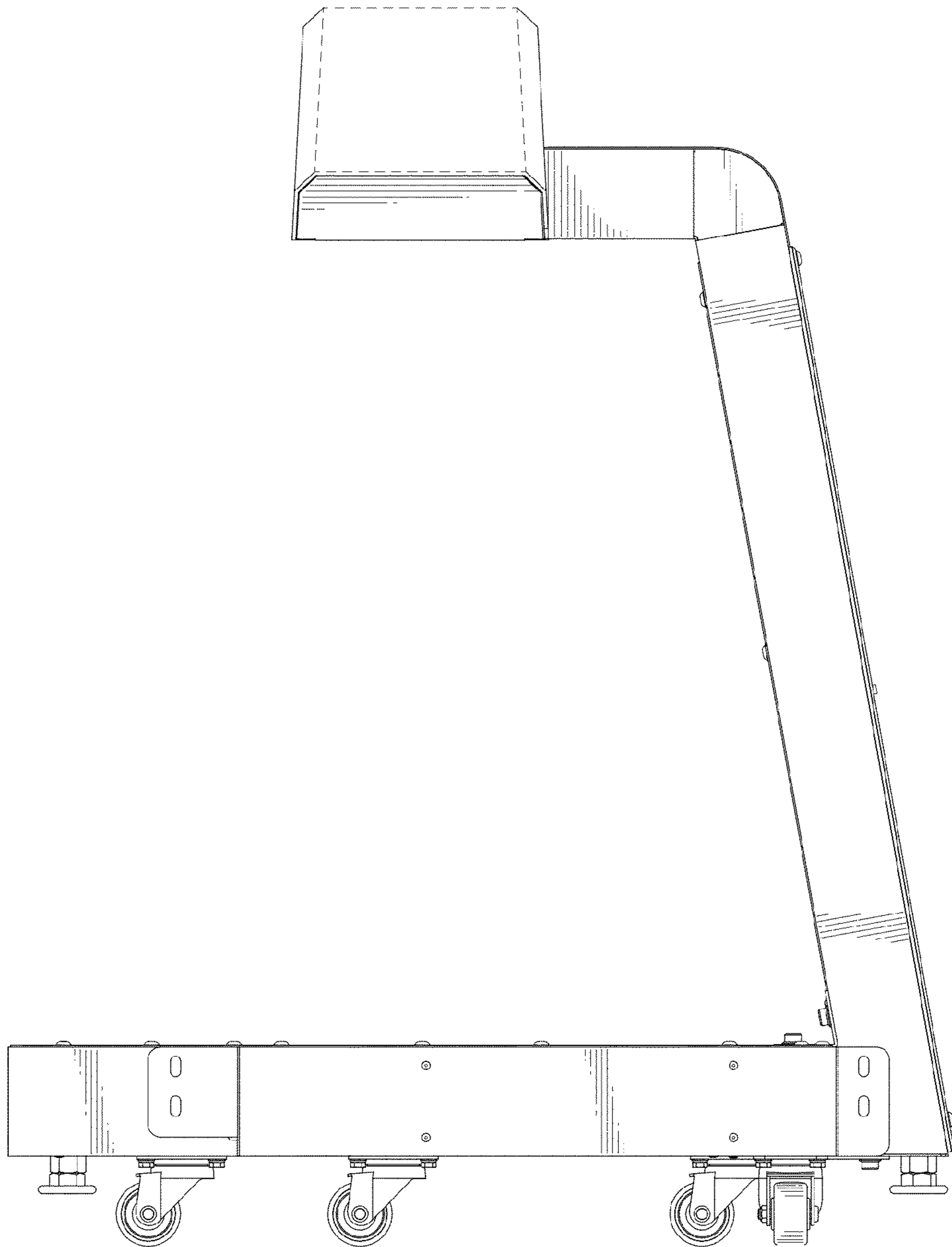


FIG. 6

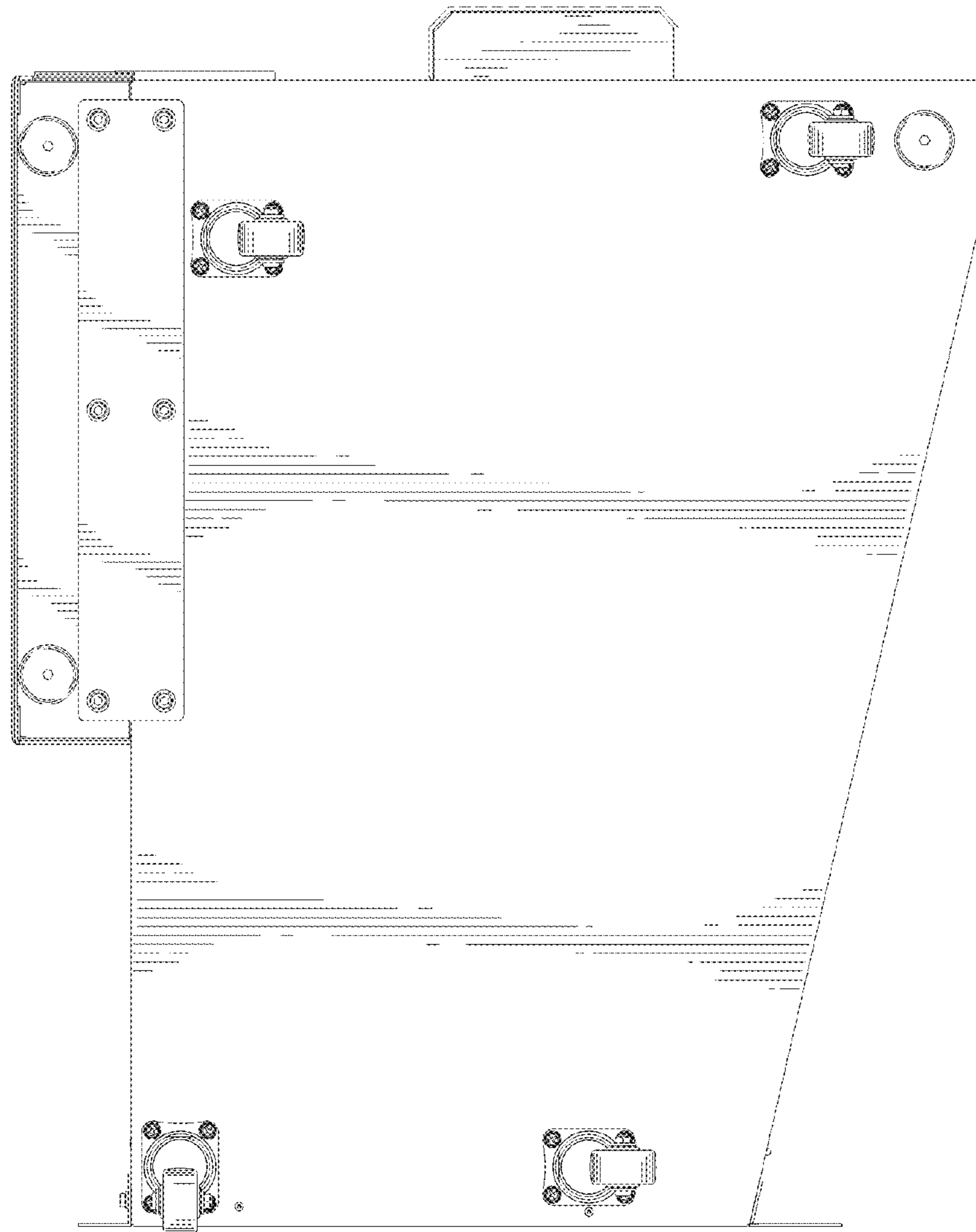


FIG. 7