



US00D753230S

(12) **United States Design Patent**
Ashley et al.

(10) **Patent No.:** **US D753,230 S**
(45) **Date of Patent:** **** Apr. 5, 2016**

(54) **MAKEUP APPLICATOR ATTACHMENT**

8,505,556 B2 8/2013 Park et al.
D699,041 S 2/2014 Waitesmith
2010/0132731 A1 6/2010 Waitesmith

(71) Applicant: **Color Me LLC**, New York, NY (US)

(72) Inventors: **Leah C. Ashley**, New York, NY (US);
Eric M. Jimenez, San Francisco, CA (US)

(73) Assignee: **COLOR ME LLC**, New York, NY (US)

(**) Term: **14 Years**

(21) Appl. No.: **29/498,704**

(22) Filed: **Aug. 6, 2014**

(51) **LOC (10) Cl.** **28-03**

(52) **U.S. Cl.**
USPC **D21/7**

(58) **Field of Classification Search**
USPC D28/7, 8, 20–22, 30–31, 76, 85, 99;
132/108, 202, 208, 317, 320;
401/202–207, 261–267; D24/119,
D24/124–126; D1/126, 127, 130, 199;
D6/595–601; D32/40–45; 15/209.1,
15/244.1, 244.2, 244.3, 244.4
CPC A45D 33/00; A45D 33/34; A45D 33/36
See application file for complete search history.

(56) **References Cited**

U.S. PATENT DOCUMENTS

7,481,592 B2 1/2009 Gueret
8,425,134 B2 4/2013 Gueret

FOREIGN PATENT DOCUMENTS

WO 2013012148 A1 1/2013

Primary Examiner — Zenia Bennett

(74) *Attorney, Agent, or Firm* — Weitzman Law Offices, LLC

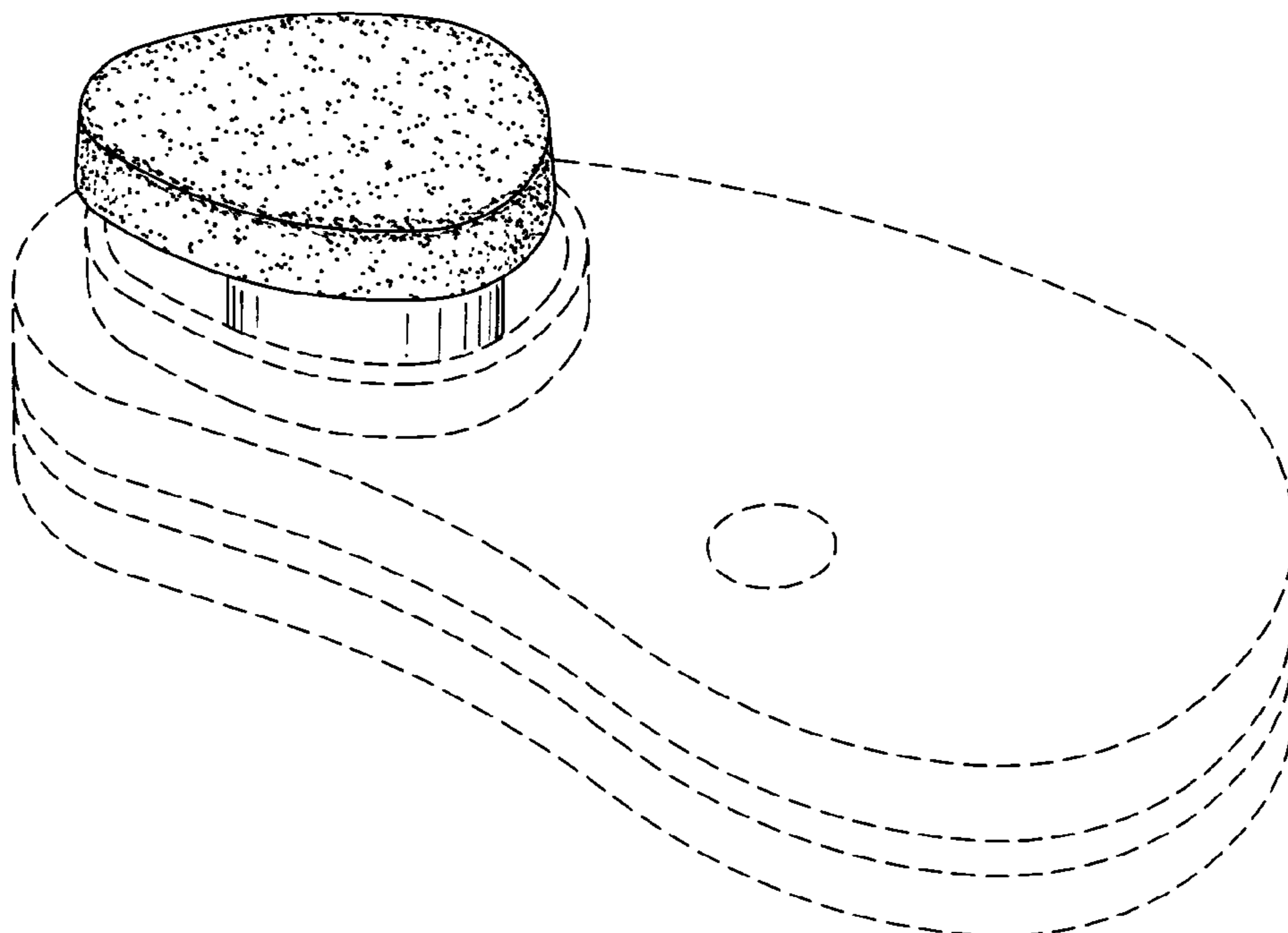
(57) **CLAIM**

The ornamental design for a makeup applicator attachment, as shown and described.

DESCRIPTION

FIG. 1 is a perspective view of a first embodiment of a new ornamental makeup applicator attachment shown in an environment of use as an attachment on a makeup applicator device;
FIG. 2 is a perspective view of the first embodiment thereof;
FIG. 3 is a top view of the first embodiment thereof;
FIG. 4 is a left side elevation view of the first embodiment thereof;
FIG. 5 is a front elevation view of the first embodiment thereof;
FIG. 6 is a rear elevation view of first embodiment thereof
FIG. 7 is a right side elevation view of the first embodiment thereof; and,
FIG. 8 is a bottom view of the first embodiment thereof.
The broken lines in the drawing are for illustrative purposes only and form no part of the claimed design.

1 Claim, 4 Drawing Sheets



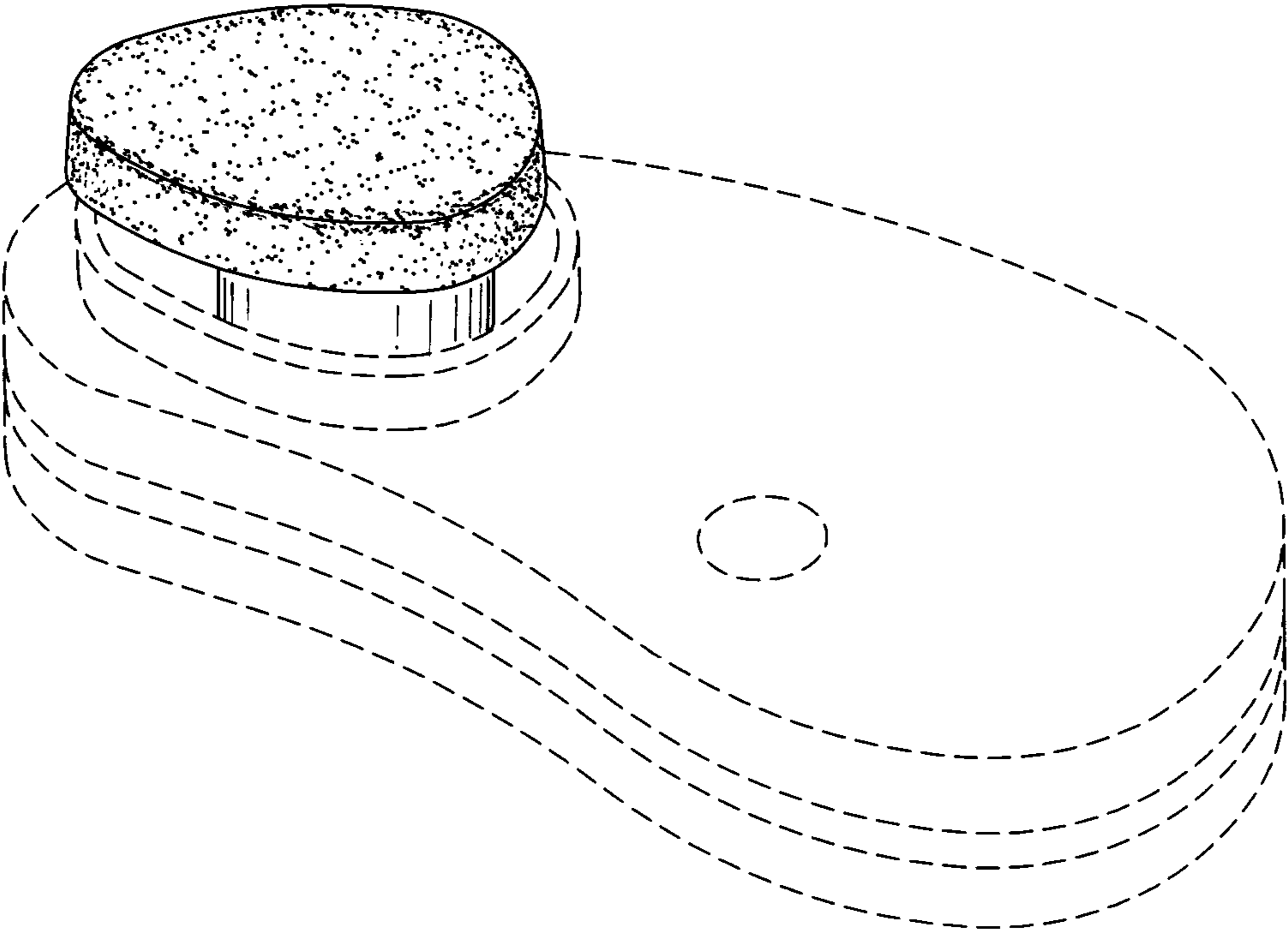


FIG. 1

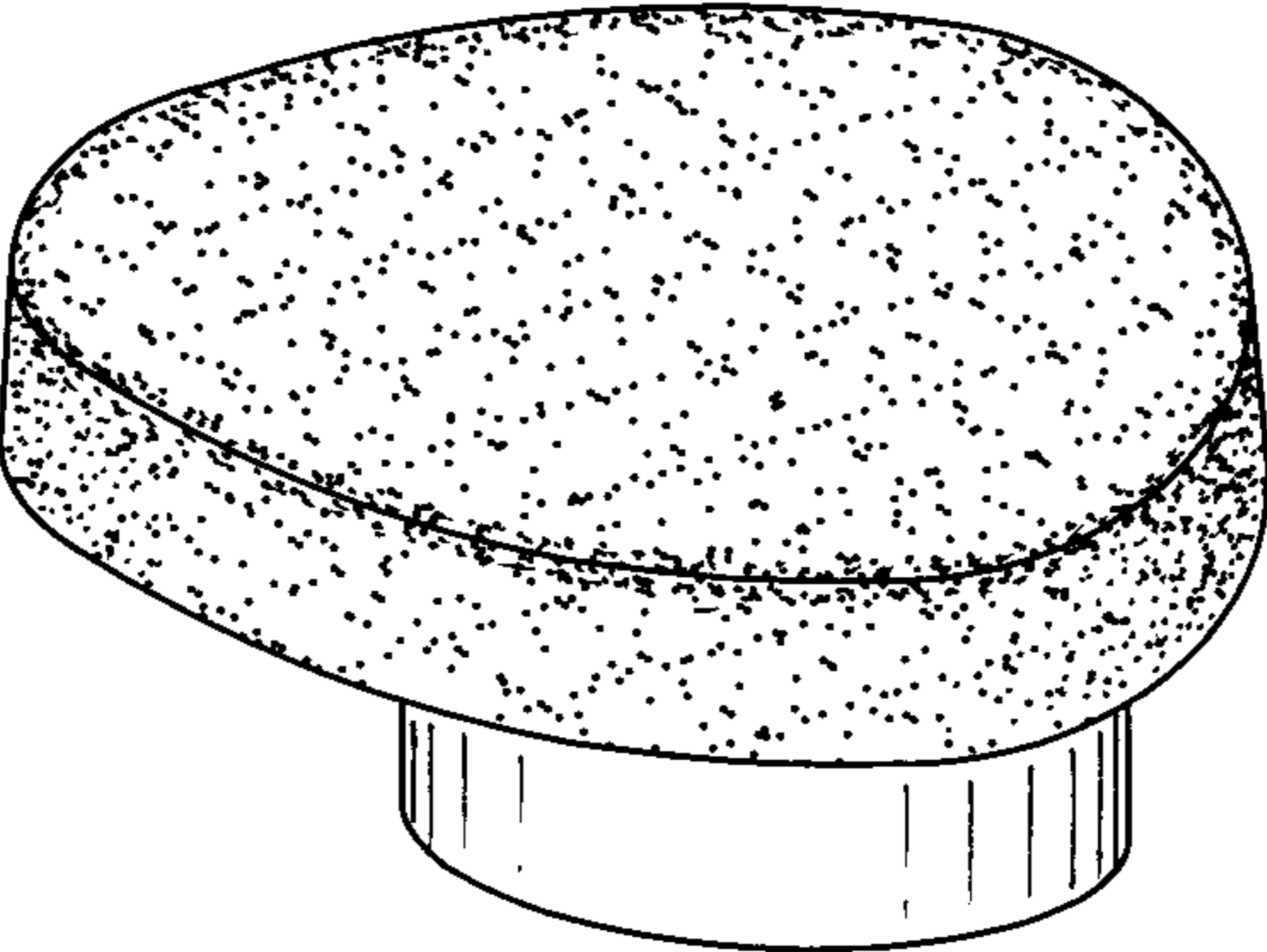


FIG. 2

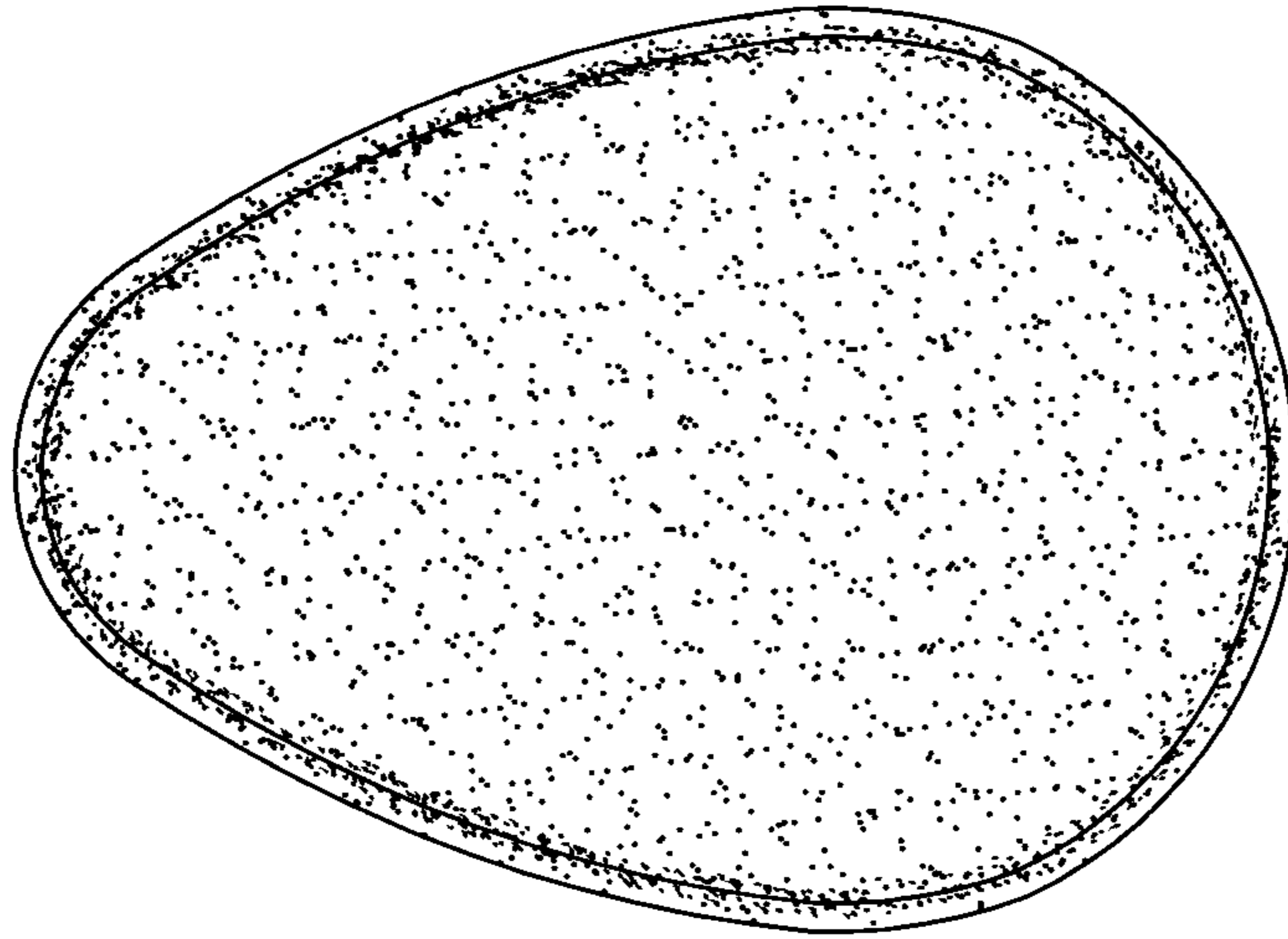


FIG. 3

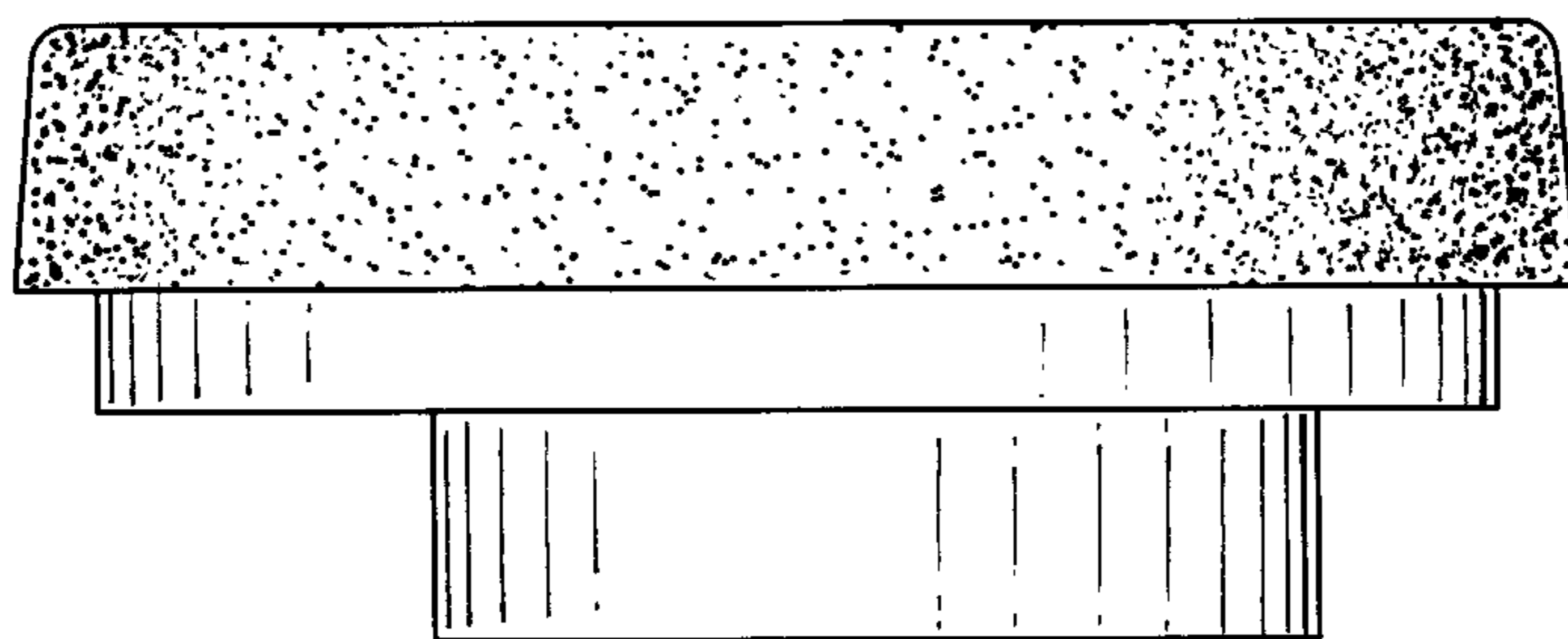


FIG. 4

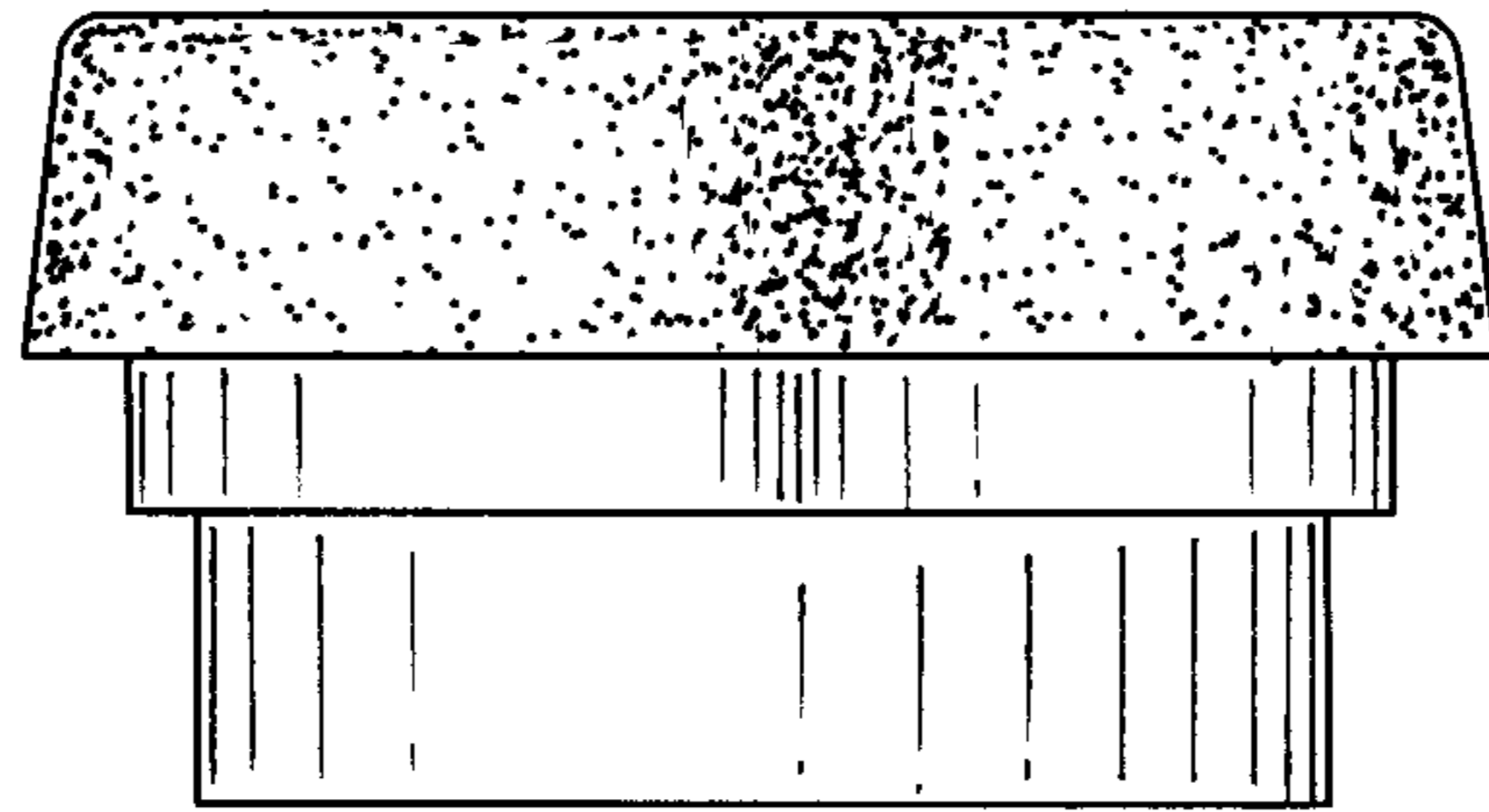


FIG. 5

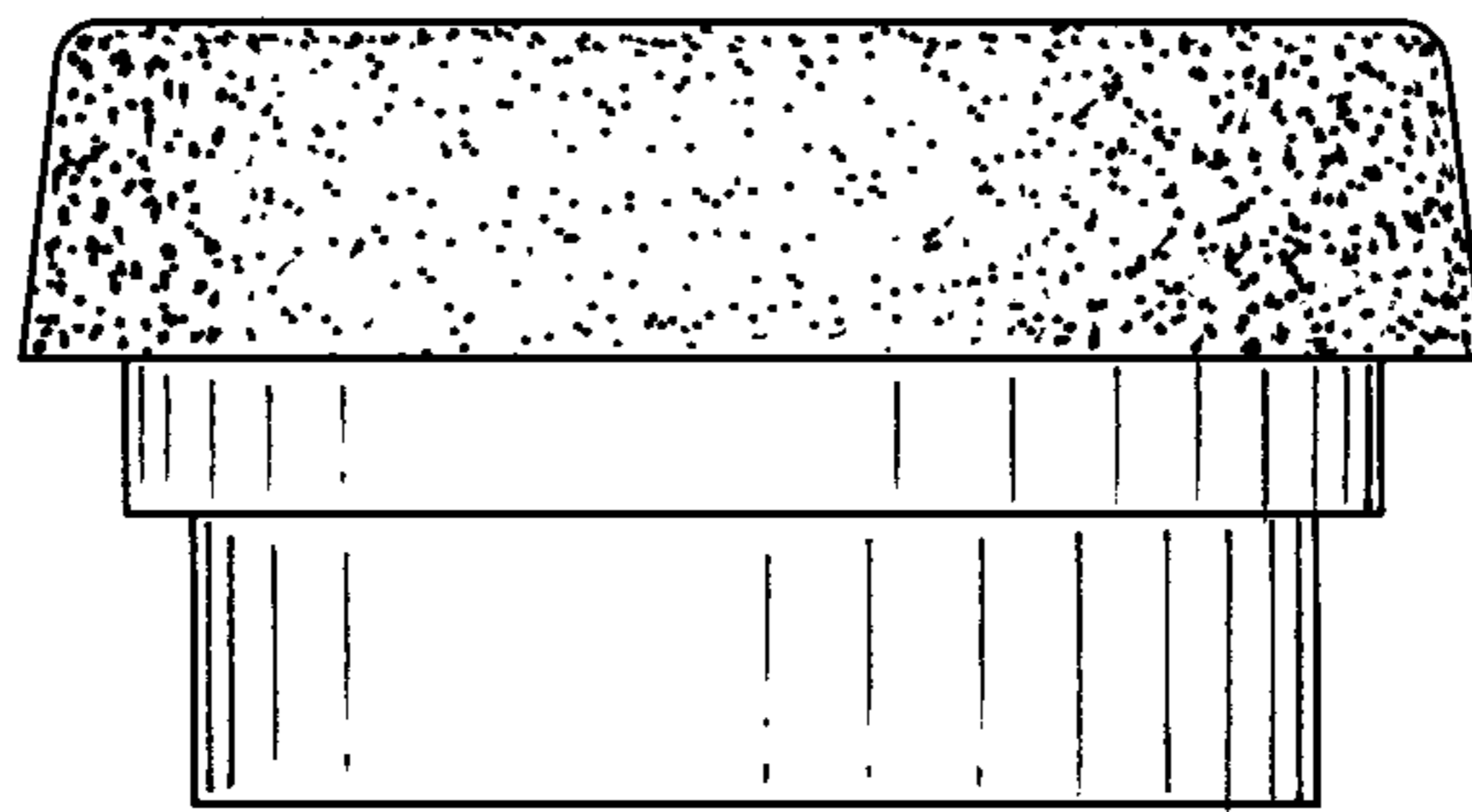


FIG. 6

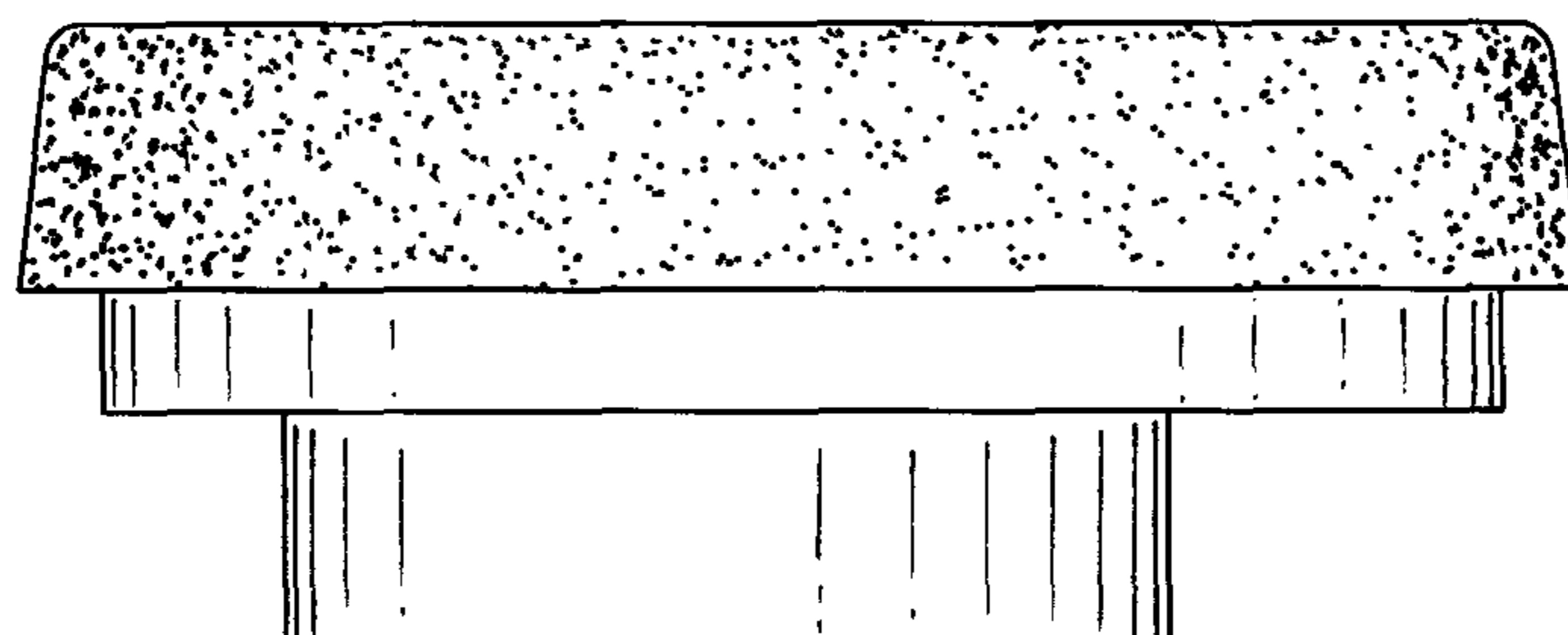


FIG. 7

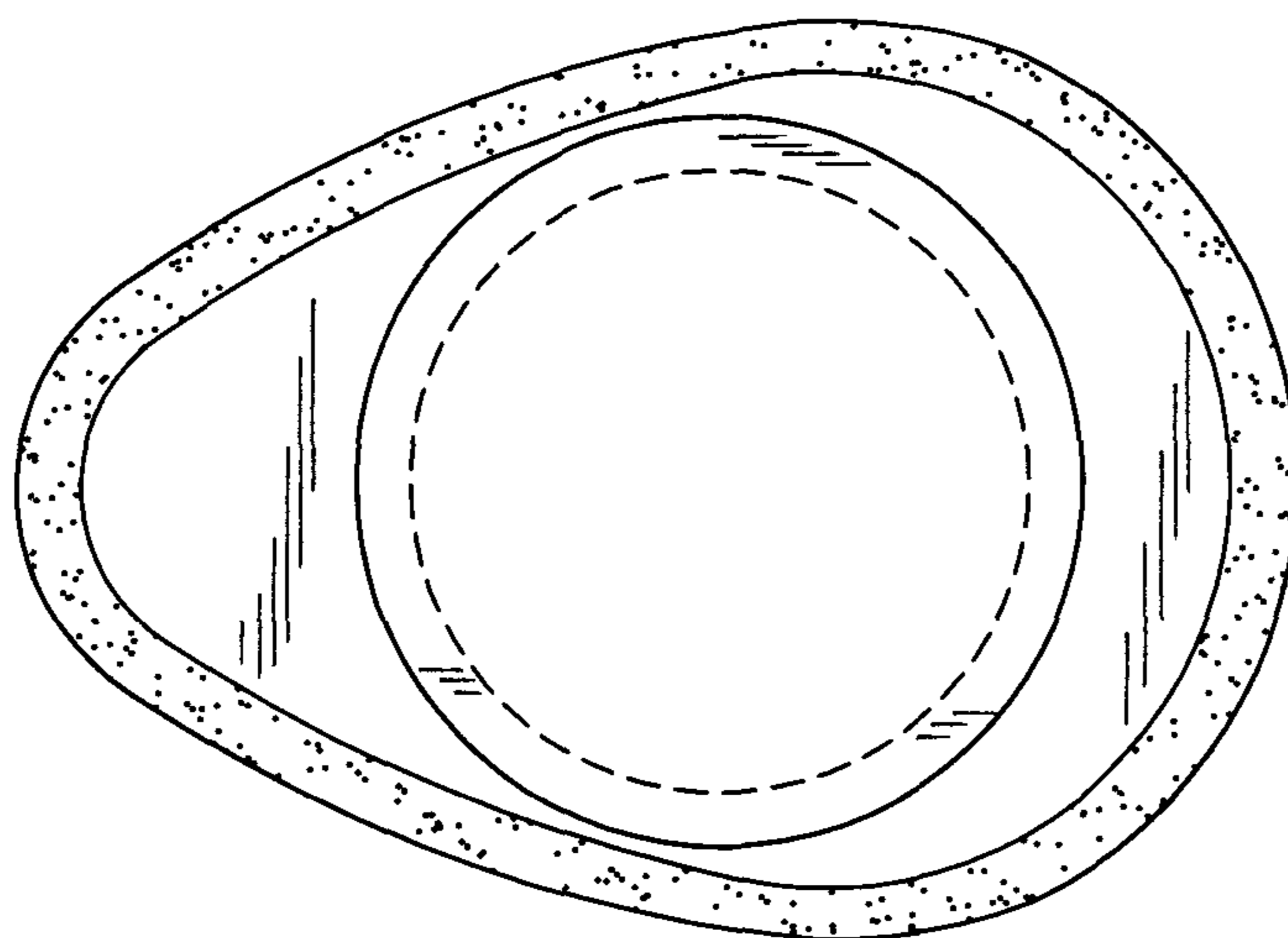


FIG. 8