



US00D753229S

(12) **United States Design Patent**
Saeten

(10) **Patent No.:** **US D753,229 S**

(45) **Date of Patent:** **** Apr. 5, 2016**

(54) **DISPLAY DEVICE**

(71) Applicant: **Anne Jorun Saeten**, Bergen (NO)

(72) Inventor: **Anne Jorun Saeten**, Bergen (NO)

(**) Term: **14 Years**

(21) Appl. No.: **29/509,383**

(22) Filed: **Nov. 17, 2014**

(51) **LOC (10) Cl.** **20-02**

(52) **U.S. Cl.**
USPC **D20/29**

(58) **Field of Classification Search**
USPC D20/10, 19, 29-38, 99; D3/279, 326;
D11/157, 184
CPC G09F 1/08; G09F 19/00; G09F 19/10;
G09F 21/00; G09F 21/02; G09F 21/026;
G09F 5/00; G09F 5/02; G09F 15/0056
See application file for complete search history.

(56) **References Cited**

U.S. PATENT DOCUMENTS

906,568	A *	12/1908	Schweitzer et al.	G09F 5/02 190/100
923,378	A *	6/1909	Schweitzer et al.	G09F 5/02 190/17
933,874	A *	9/1909	Billburg	G09F 5/02 190/17
2,837,185	A *	6/1958	Guenther	G09F 5/02 190/111
3,038,513	A *	6/1962	Hamlett	D05B 77/00 206/320
3,780,458	A *	12/1973	Jacoby	G09F 11/295 40/471
6,240,666	B1	6/2001	Apel et al.		
D641,552	S *	7/2011	Sosnovsky	D3/283
D678,676	S *	3/2013	Bettua	D3/276
D743,168	S *	11/2015	Niu	D3/279

9,230,461	B2 *	1/2016	Saeten	G09F 15/0056
2007/0094907	A1	5/2007	Scarberry		
2010/0243854	A1	9/2010	Logue		

FOREIGN PATENT DOCUMENTS

CA	2284417	3/2001
EP	10006504	6/2000
FR	2598541	11/1987
FR	2871821	12/2005
WO	2013176552	11/2013

OTHER PUBLICATIONS

International Search Report and Written Opinion for PCT/NO2013/050090 dated Sep. 8, 2013.

* cited by examiner

Primary Examiner — Mary Ann Calabrese
(74) *Attorney, Agent, or Firm* — Andrus Intellectual Property Law, LLP

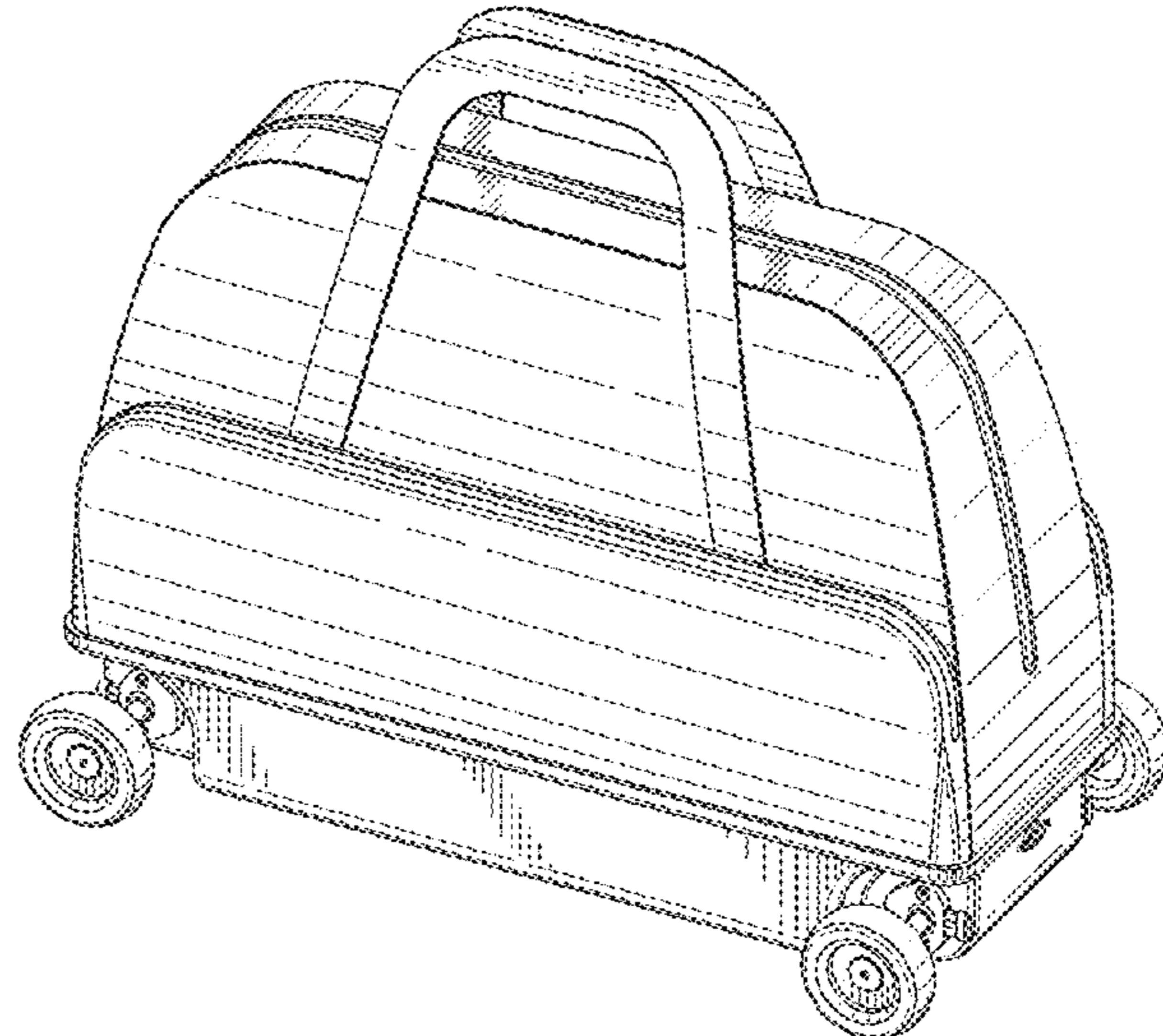
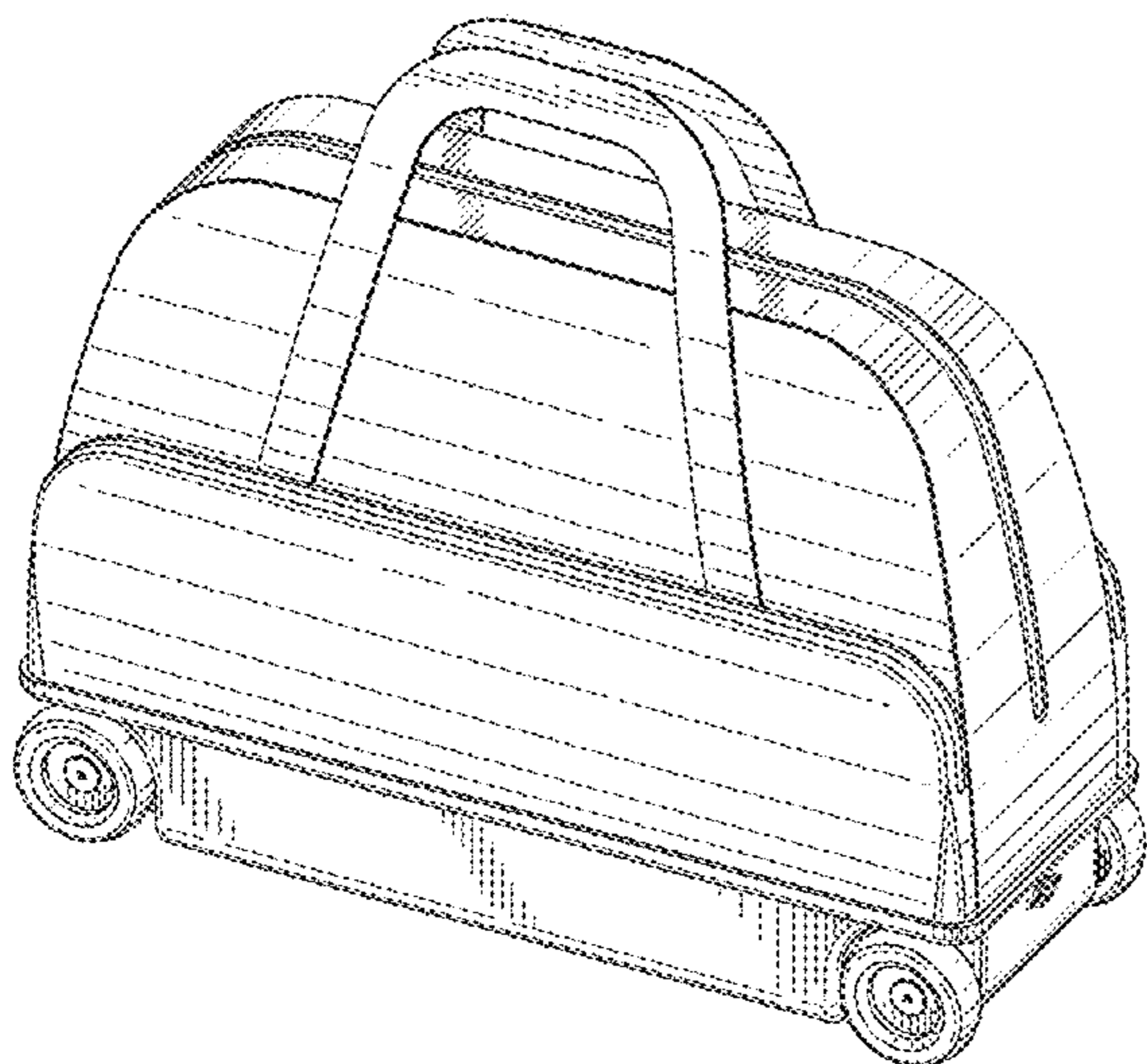
(57) **CLAIM**

The ornamental design for a display device, as shown and described.

DESCRIPTION

FIG. 1 is a perspective view of a display device;
FIG. 2 is a front view of the display device;
FIG. 3 is a rear view of the display device;
FIG. 4 is a side view of the display device;
FIG. 5 is an opposite side view of the display device;
FIG. 6 is a top view of the display device;
FIG. 7 is a bottom view of the display device;
FIG. 8 is perspective view of the display device, shown in an alternate position; and,
FIG. 9 is an opposite side view of the display device, shown in the alternate position.

1 Claim, 7 Drawing Sheets



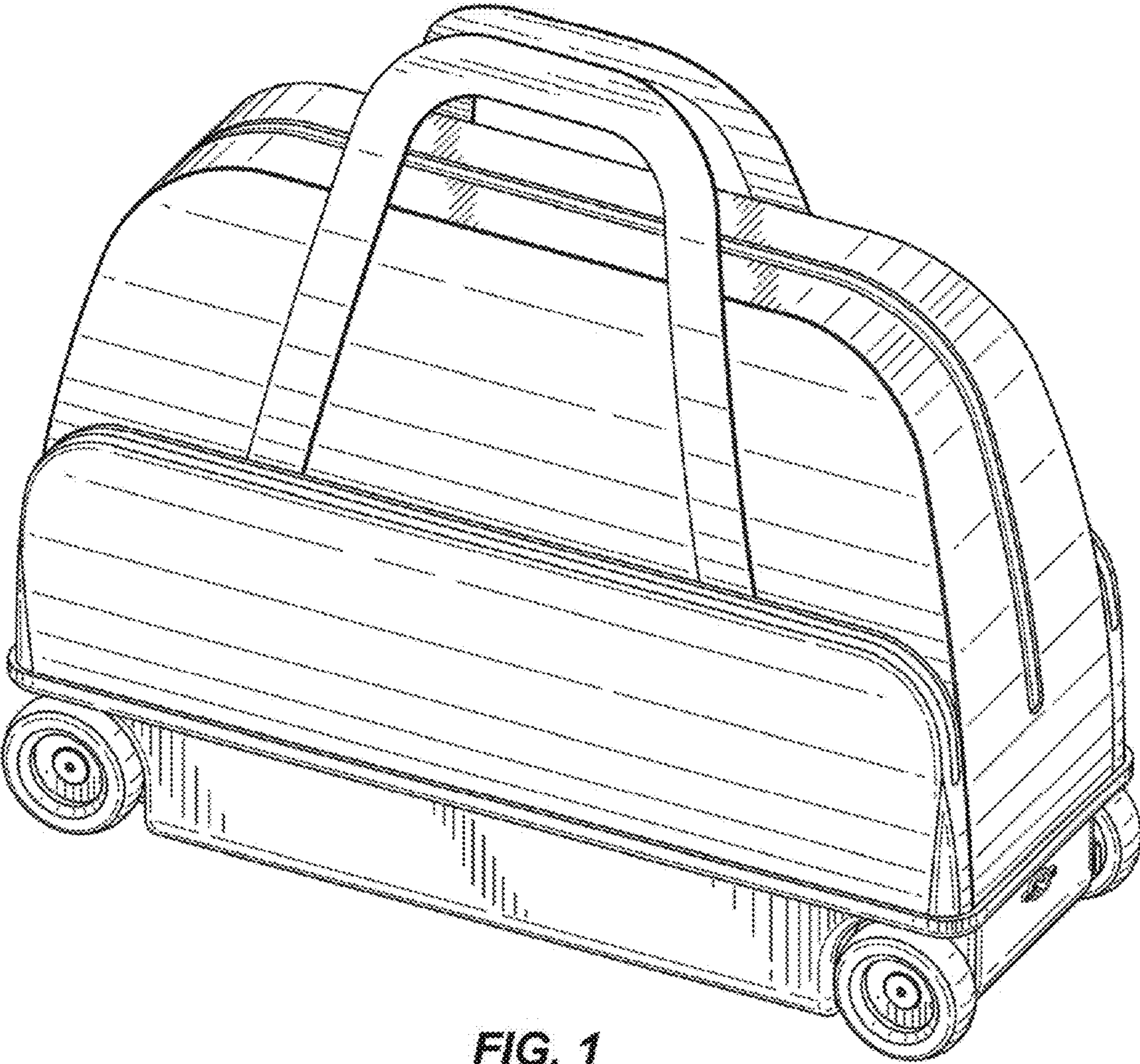


FIG. 1

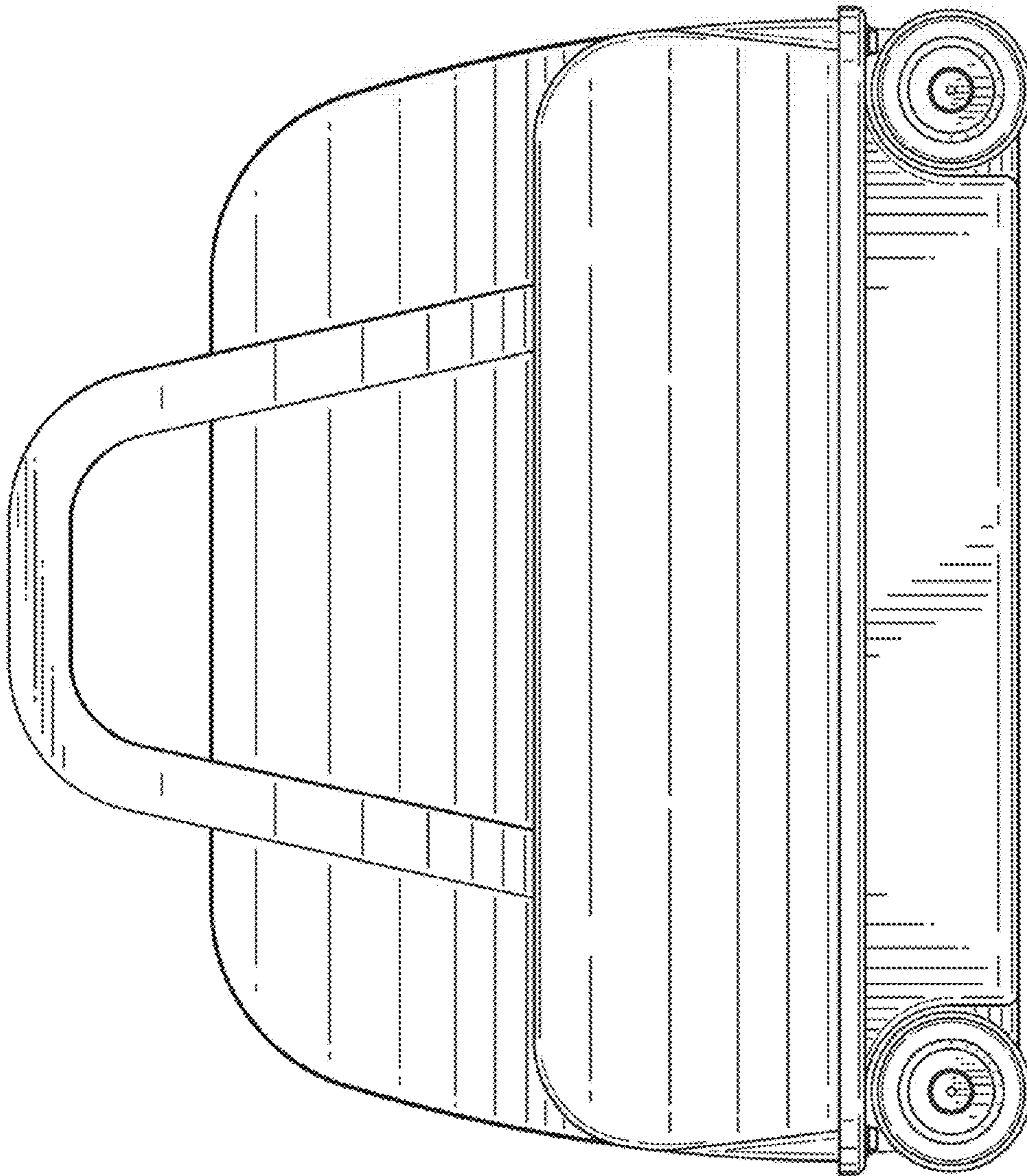


FIG. 2

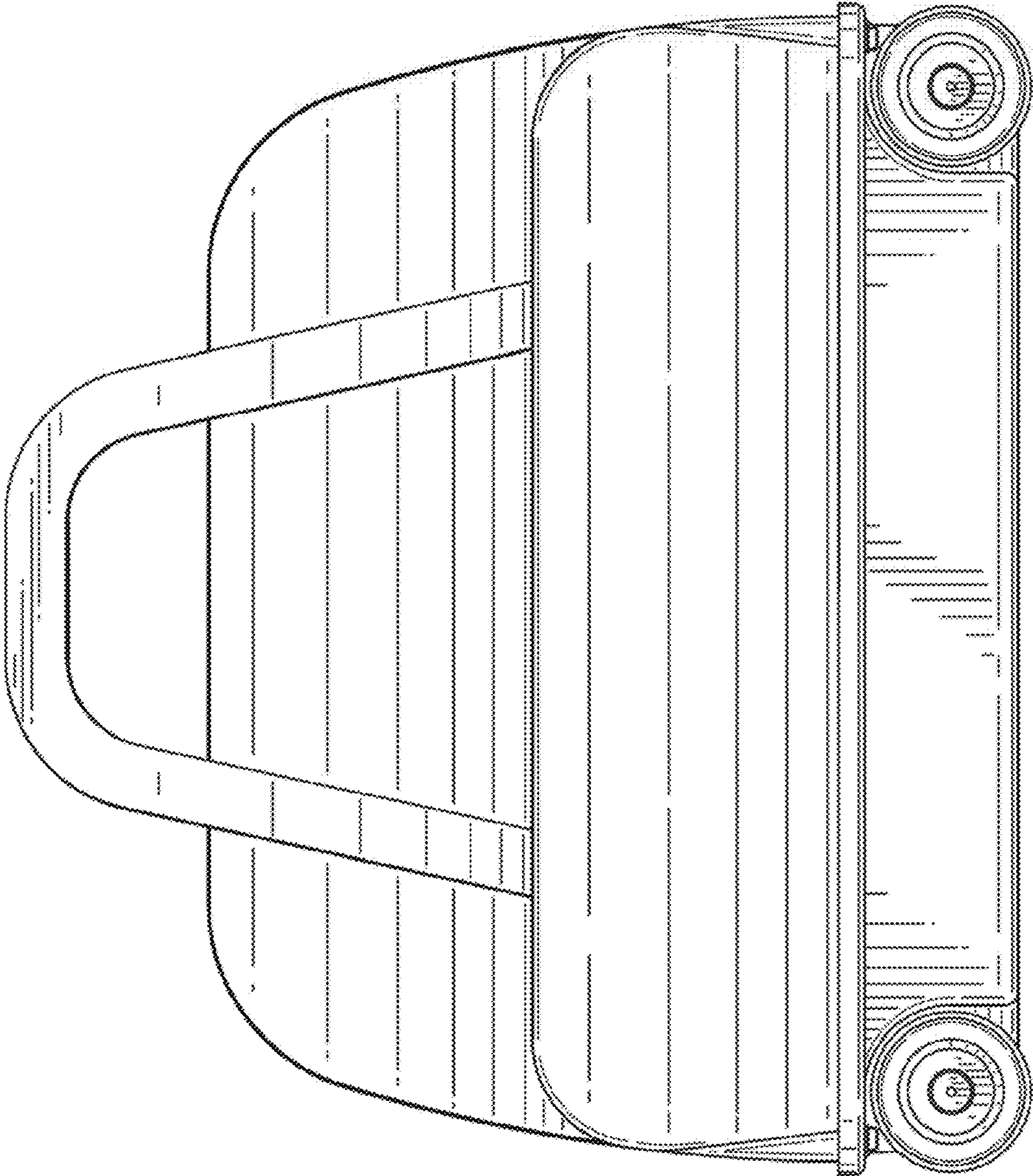


FIG. 3

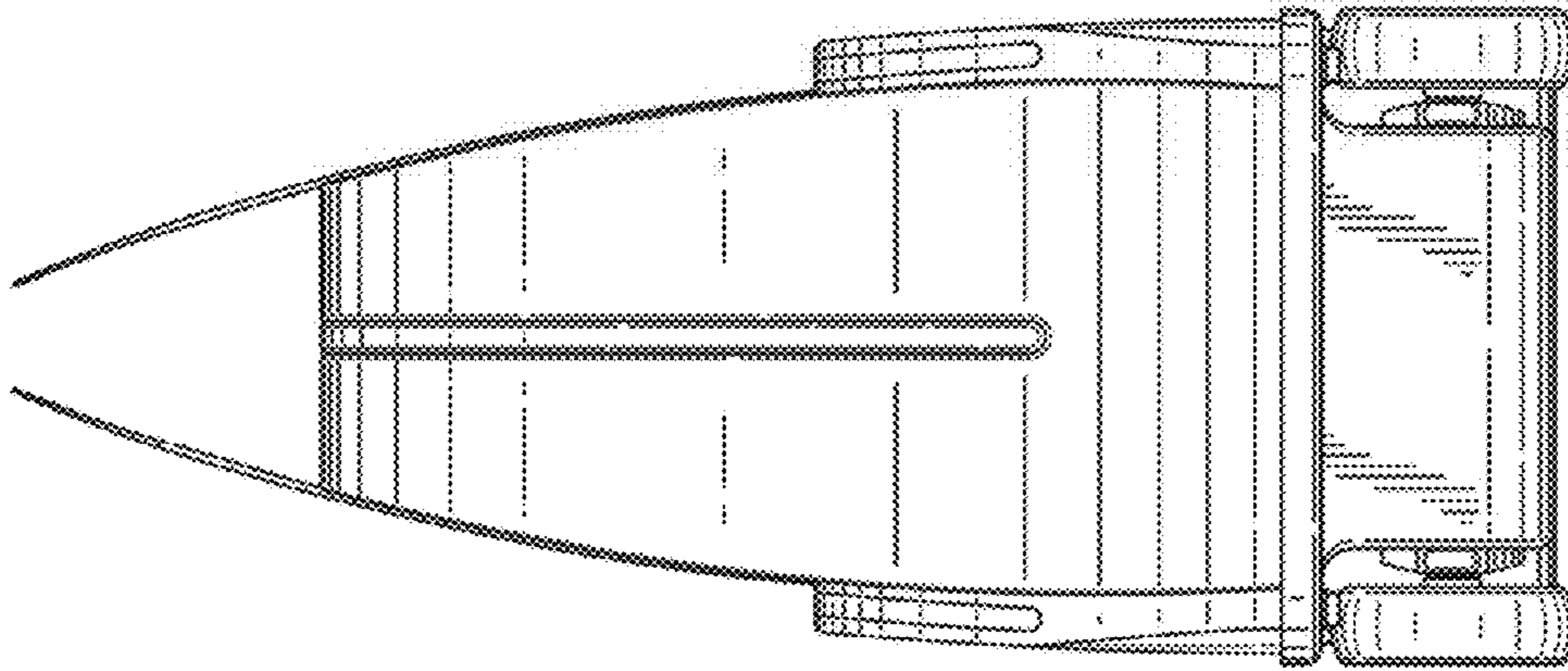


FIG. 5

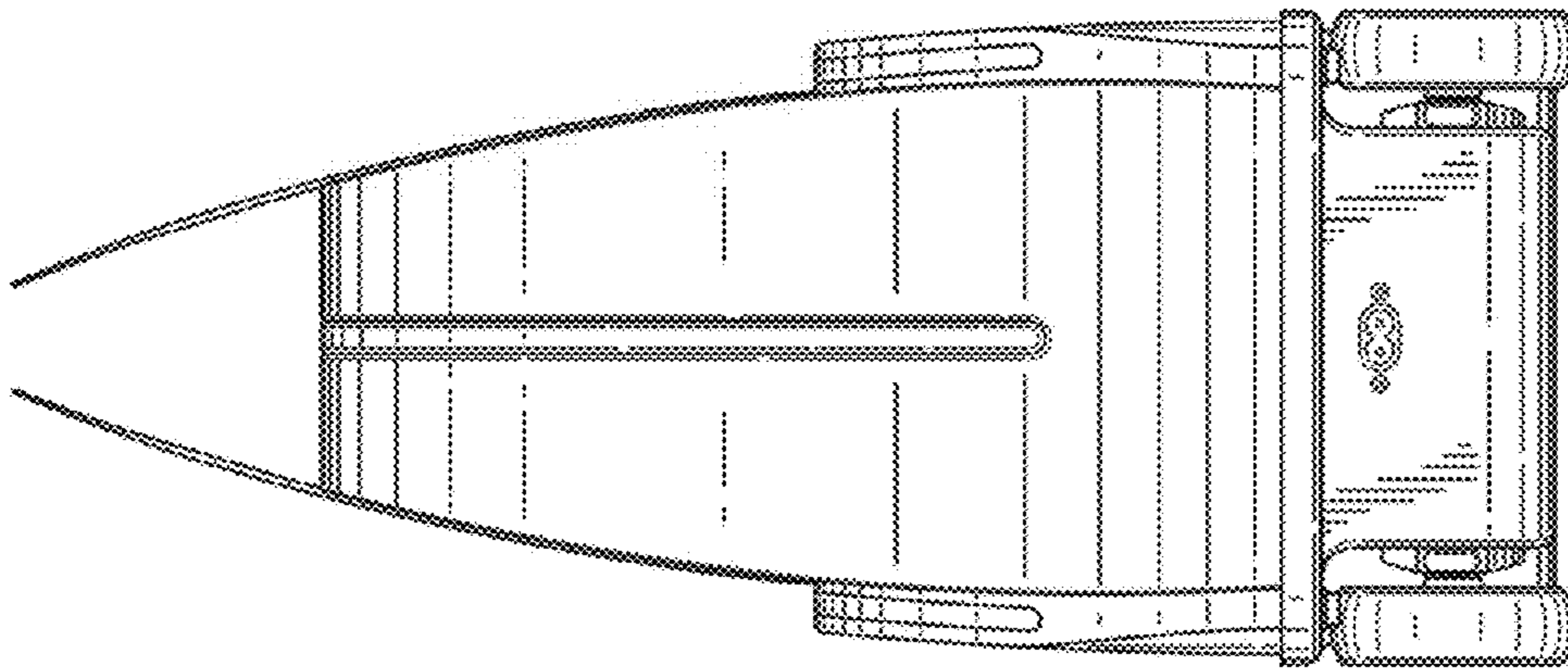


FIG. 4

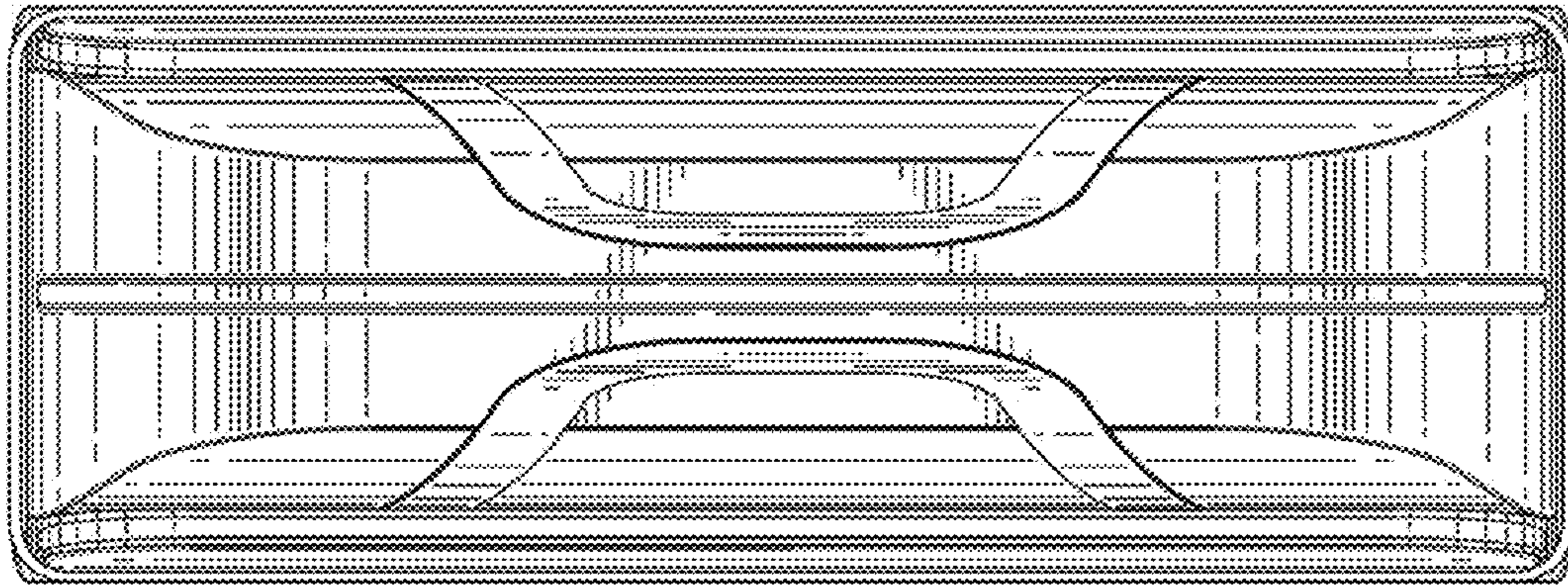


FIG. 6

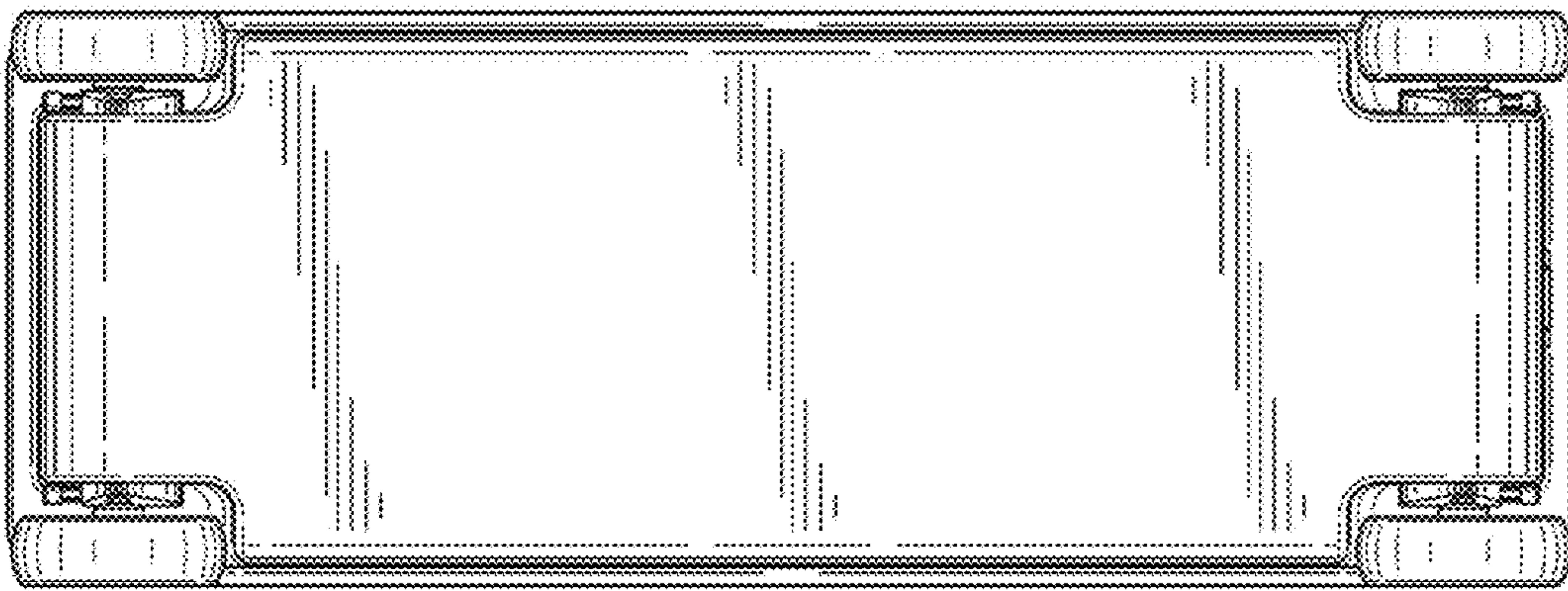


FIG. 7

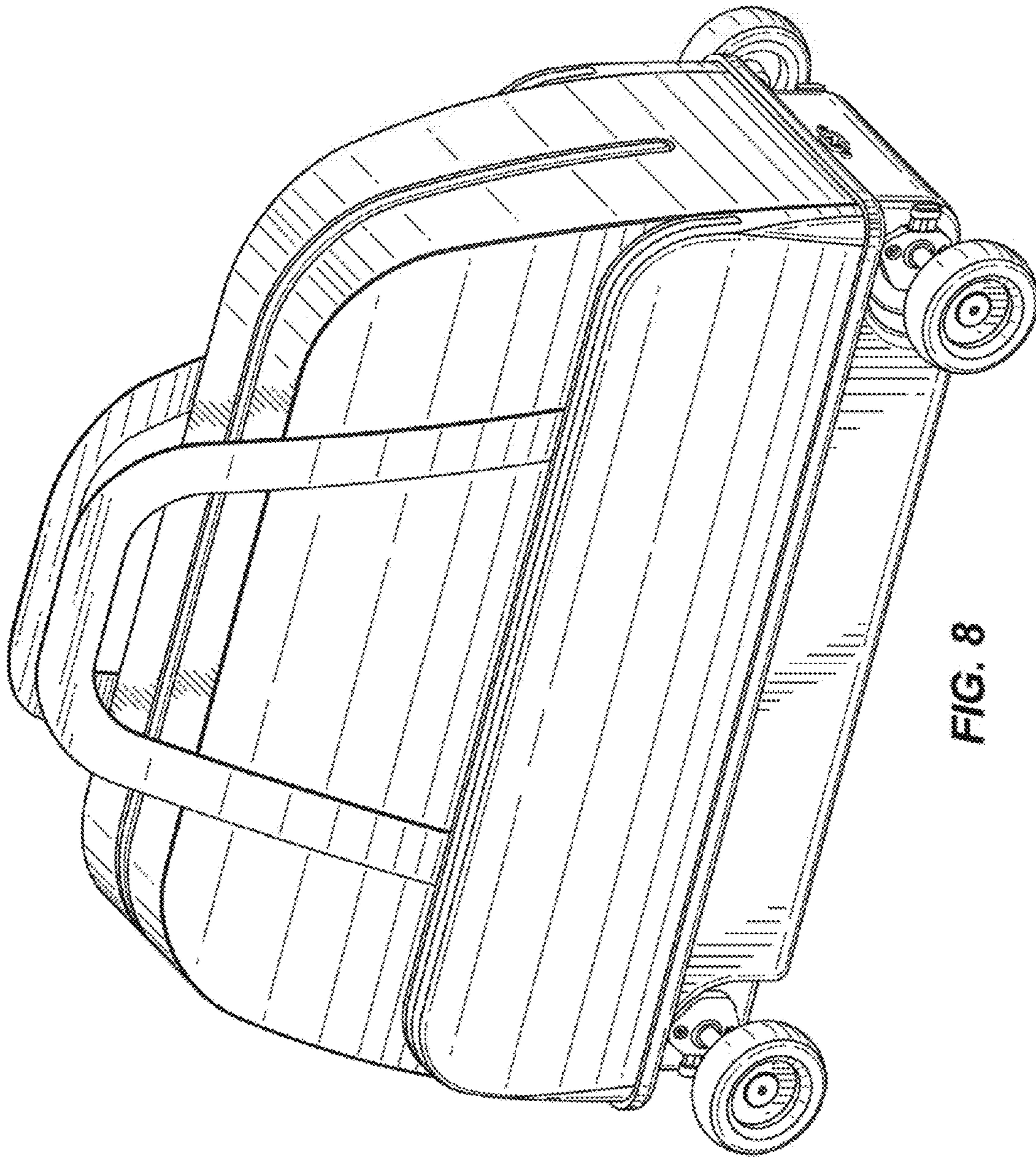


FIG. 8

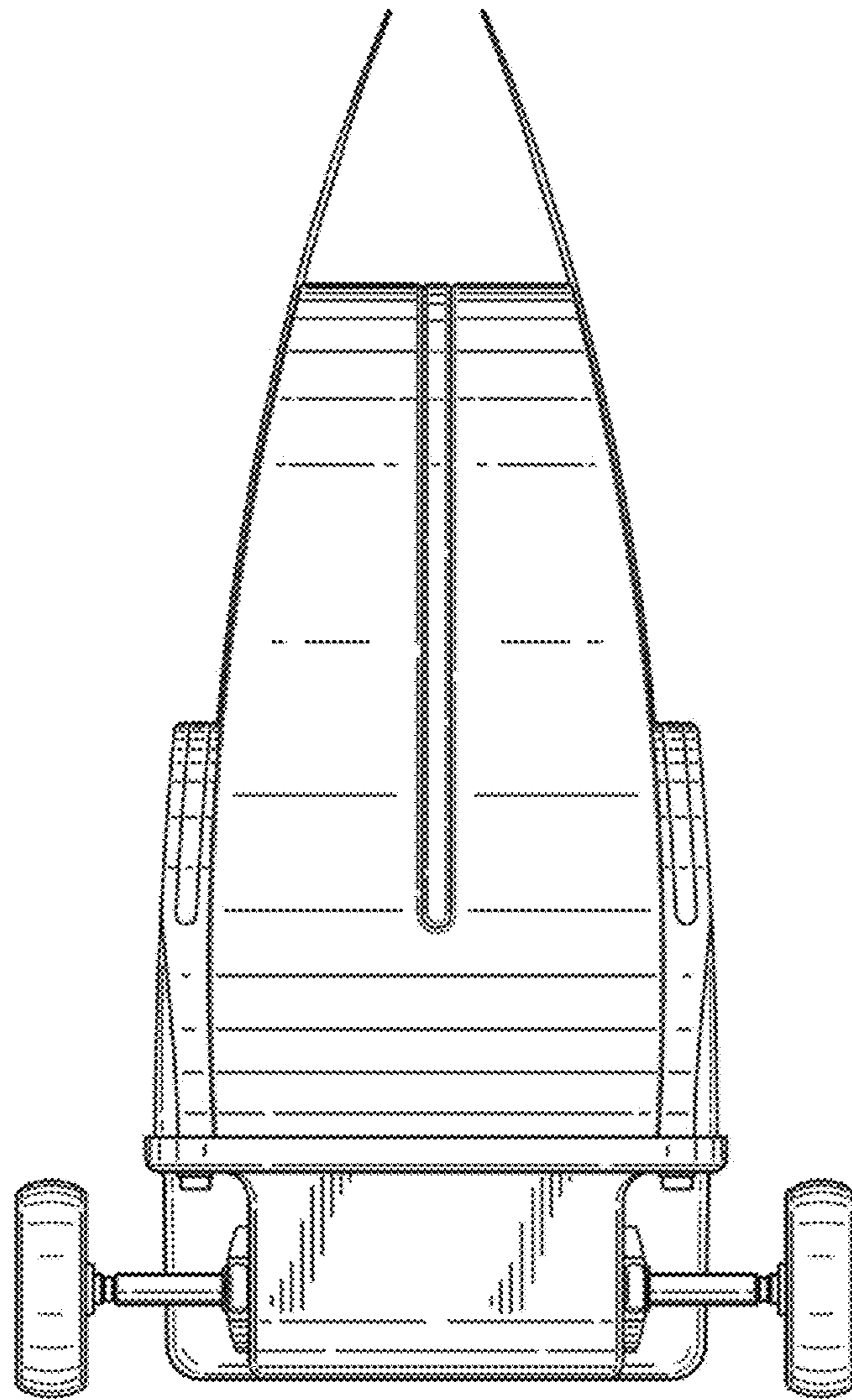


FIG. 9