



US00D753228S

(12) **United States Design Patent**
Minzner

(10) **Patent No.:** **US D753,228 S**
(45) **Date of Patent:** **** Apr. 5, 2016**

(54) **FOAM HAND CARRIED SIGN**

(71) Applicant: **Ellen G. Minzner**, Watertown, MA (US)

(72) Inventor: **Ellen G. Minzner**, Watertown, MA (US)

(**) Term: **14 Years**

(21) Appl. No.: **29/488,200**

(22) Filed: **Apr. 16, 2014**

(51) **LOC (10) Cl.** **20-03**

(52) **U.S. Cl.**
USPC **D20/10**

(58) **Field of Classification Search**

USPC D20/10, 19, 29, 33, 39-43, 99;
D10/109.1, 109.2, 113.4; D2/610, 613,
D2/617; D21/400; D13/115, 118;
D23/411, 413
CPC G09F 7/00; G09F 9/00; G09F 11/00;
G09F 13/00; A63H 3/16
See application file for complete search history.

(56) **References Cited**

U.S. PATENT DOCUMENTS

D315,980 S * 4/1991 Bradley D2/615
5,322,465 A * 6/1994 McGill A63H 3/16
446/100
6,108,817 A 8/2000 Kostelac

D558,273 S 12/2007 Keith
7,367,148 B2 5/2008 Moody
2002/0157289 A1* 10/2002 Hsueh B65D 73/00
40/124.01

* cited by examiner

Primary Examiner — Mary Ann Calabrese
(74) *Attorney, Agent, or Firm* — Davis, Malm &
D'Agostine, P.C.

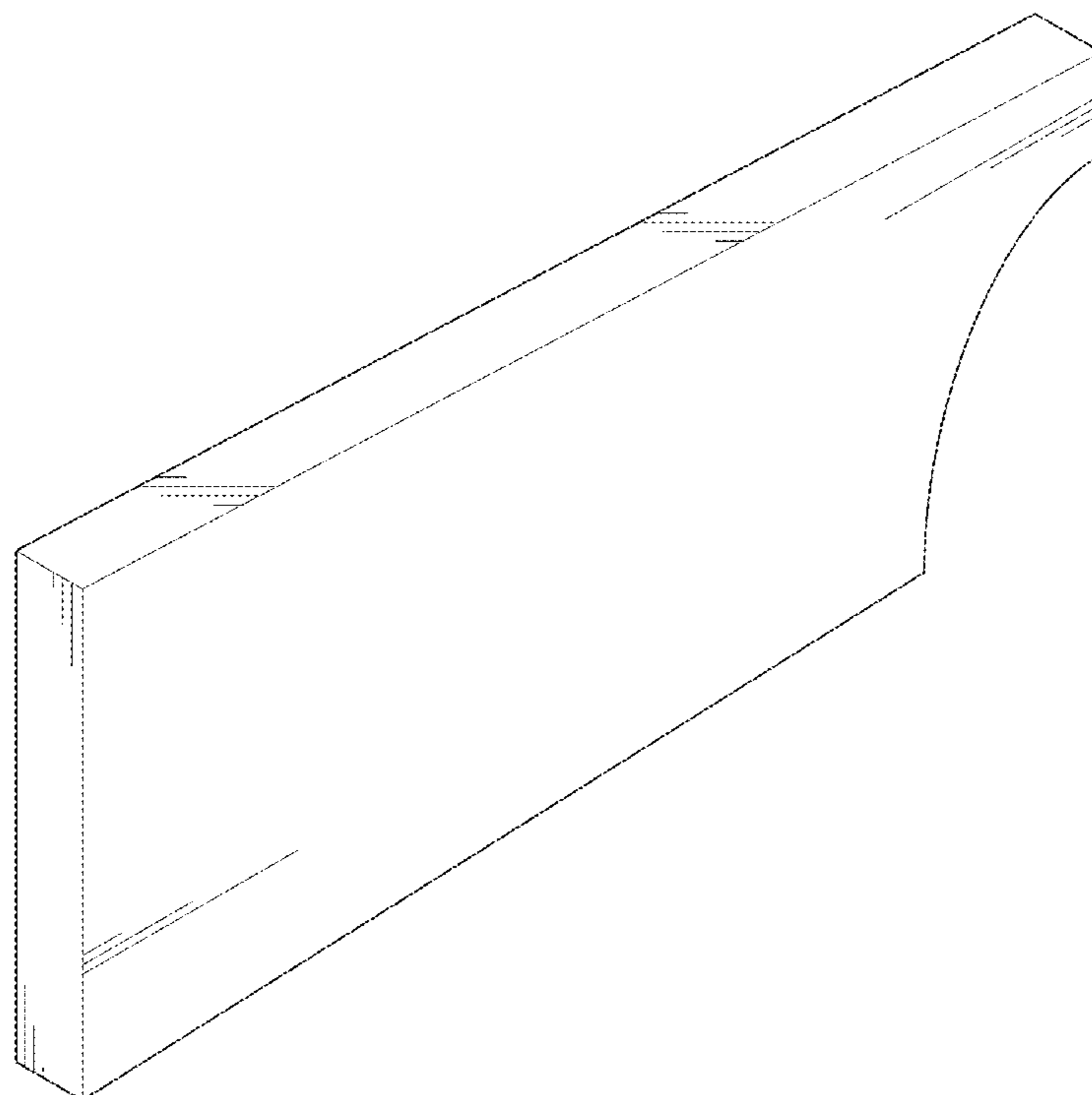
(57) **CLAIM**

The ornamental design for a foam hand carried sign, as shown and described.

DESCRIPTION

FIG. 1. is a perspective view of a foam hand carried sign which embodies my design;
FIG. 2. is a top view of the foam hand carried sign of FIG. 1;
FIG. 3. is a front view of the foam hand carried sign of FIG. 1;
FIG. 4. is a right side view of the foam hand carried sign of FIG. 1;
FIG. 5. is a left side view of the foam hand carried sign of FIG. 1;
FIG. 6. is a bottom view of the foam hand carried sign of FIG. 1; and,
FIG. 7. is a back view of the foam hand carried sign of FIG. 1.

1 Claim, 3 Drawing Sheets



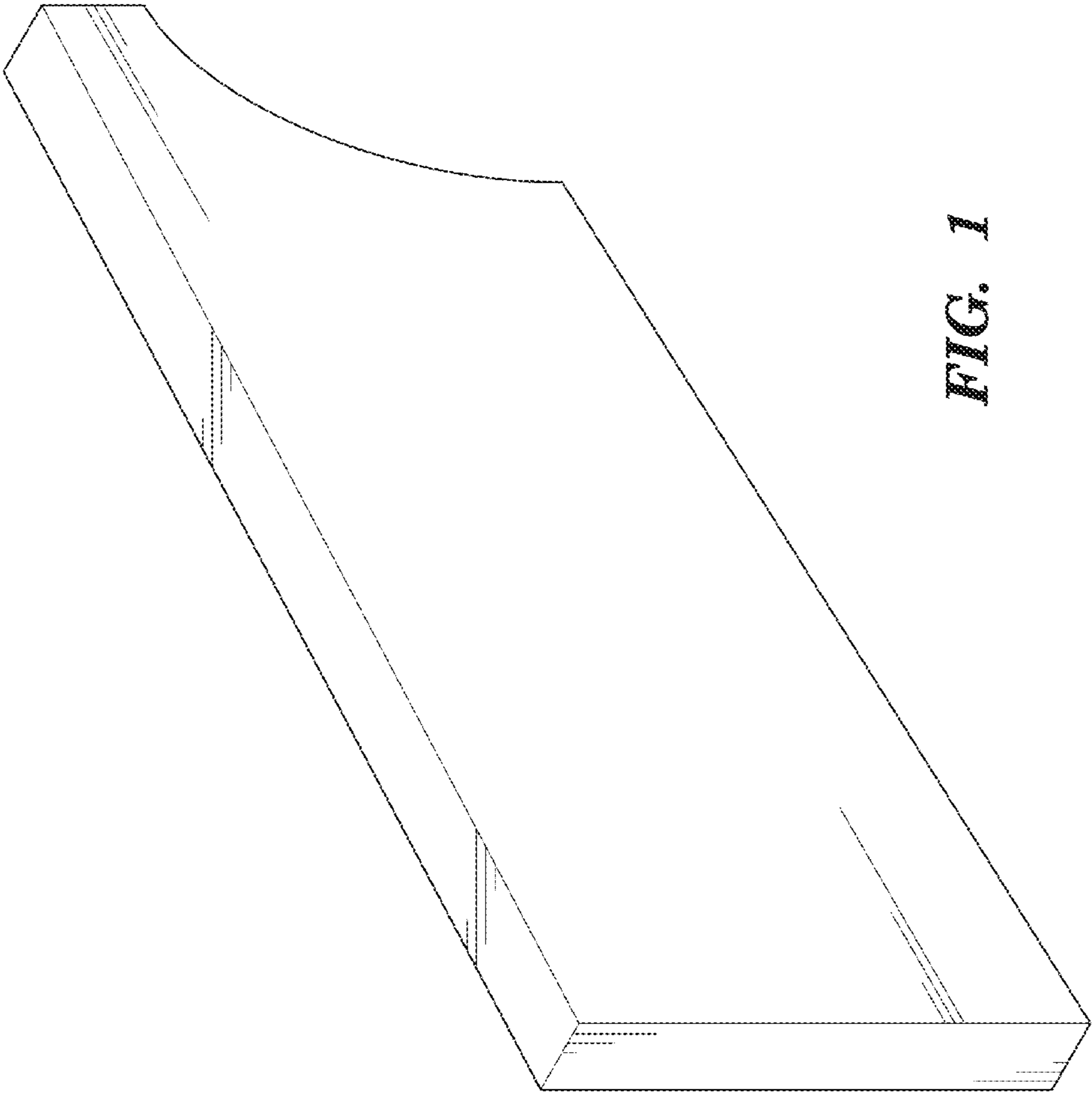


FIG. 1

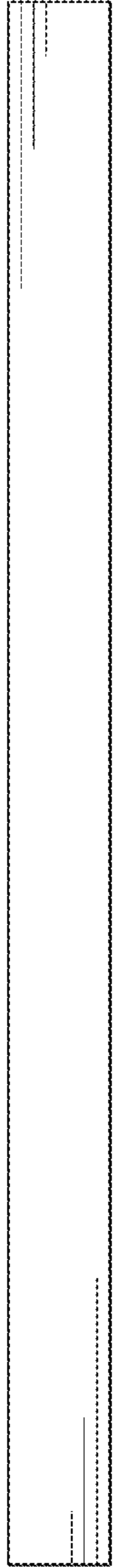


FIG. 2

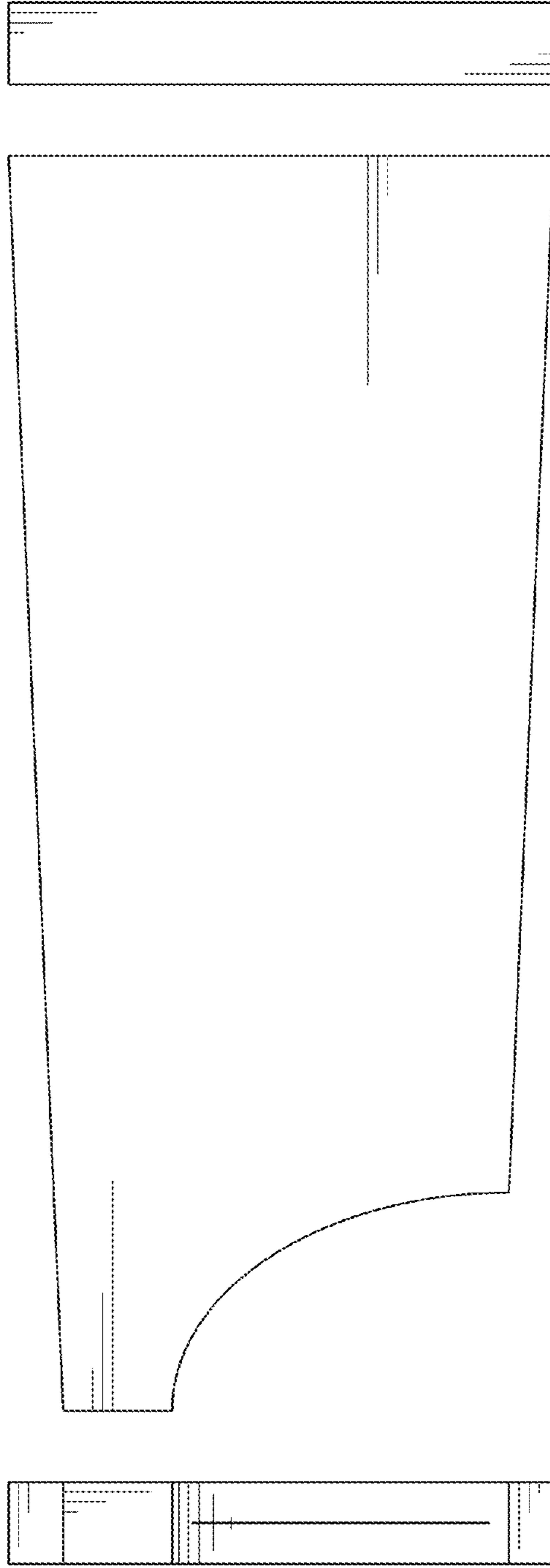


FIG. 5

FIG. 3

FIG. 4

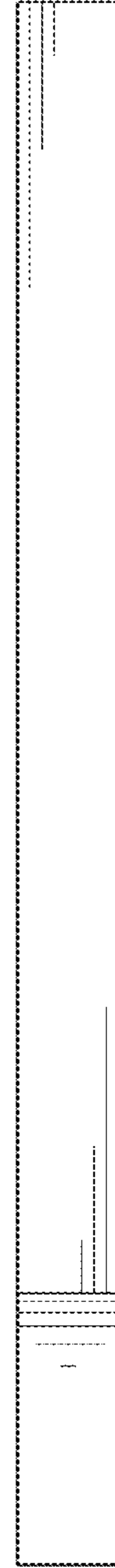


FIG. 6

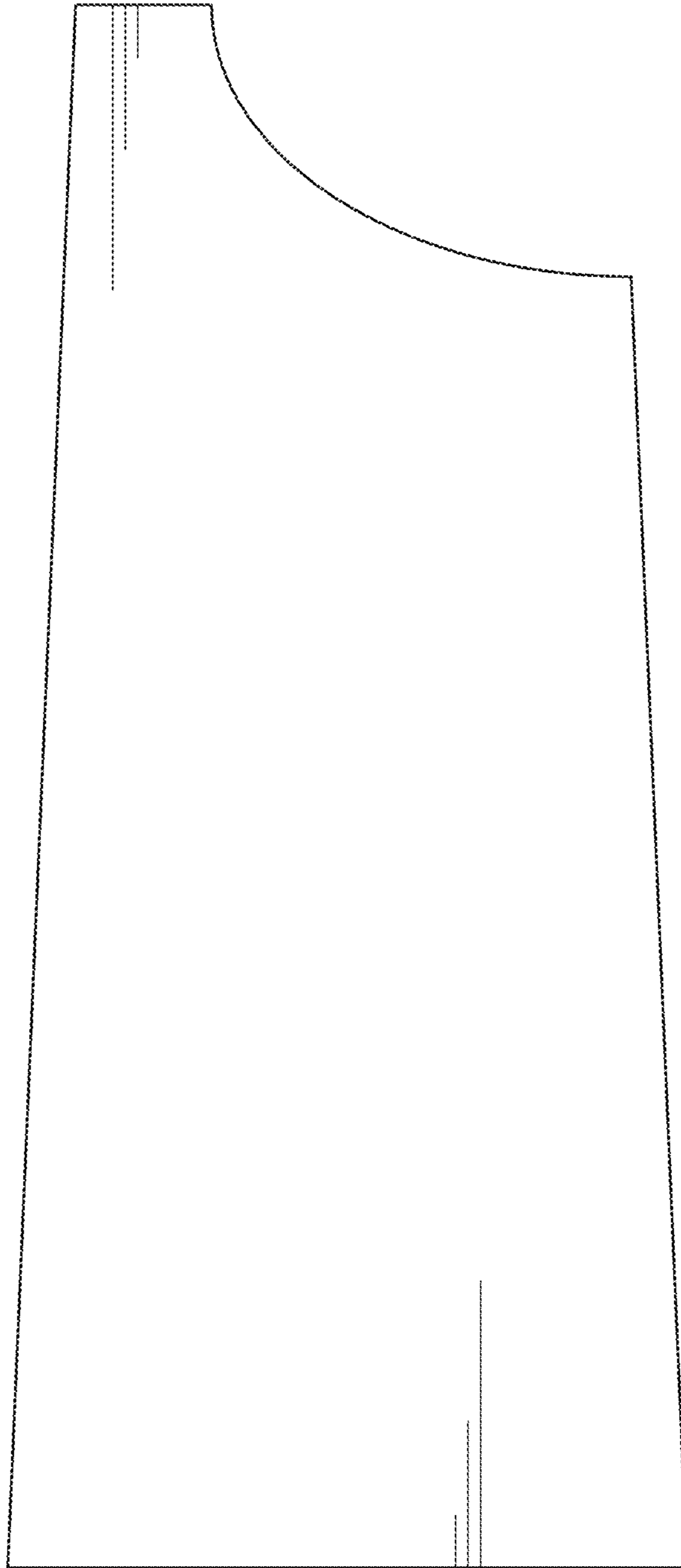


FIG. 7