



US00D753222S

(12) **United States Design Patent**  
**Costas**

(10) **Patent No.:** **US D753,222 S**  
(45) **Date of Patent:** **\*\* Apr. 5, 2016**

- (54) **NOTE HOLDER**
- (71) Applicant: **Trophius Pty Ltd.**, Mascot, New South Wales (AU)
- (72) Inventor: **Eric Costas**, Mascot (AU)
- (73) Assignee: **Trophius Pty Ltd.**, Mascot (AU)

2,779,650 A	1/1957	Lamothe
D218,874 S	9/1970	Whittaker
3,604,727 A	9/1971	Wilkin
4,528,800 A	7/1985	Burns
D316,275 S	4/1991	Davis et al.
D318,625 S	7/1991	Stowell
5,214,825 A	6/1993	Hirzel
5,339,967 A	8/1994	Valiulis
5,975,478 A	11/1999	Marino

(Continued)

- (\*\*) Term: **14 Years**
- (21) Appl. No.: **29/511,316**
- (22) Filed: **Dec. 9, 2014**

FOREIGN PATENT DOCUMENTS

AU	346443	1/2013
AU	346543	1/2013

OTHER PUBLICATIONS

<http://www.officedepot.com/a/products/352108/Office-Depot-Brand-4-Piece-Stainless/>, Office Depot Brand 4 Piece Stainless Steel Magnet Hook Set Assorted Shapes, 1 color sheet, date unknown, but prior to the filing of this application.

*Primary Examiner* — Elizabeth Albert  
(74) *Attorney, Agent, or Firm* — Banner & Witcoff, Ltd.

**Related U.S. Application Data**

- (62) Division of application No. 29/484,107, filed on Mar. 6, 2014, now Pat. No. Des. 719,218.
- (51) **LOC (10) Cl.** ..... **19-02**
- (52) **U.S. Cl.**  
USPC ..... **D19/86**
- (58) **Field of Classification Search**  
USPC ..... D19/86, 87, 88, 89, 90, 91, 92; D8/349, D8/354, 394, 395  
CPC ..... B42F 9/001; B42F 9/002; B42F 9/004; B42L 3/005; B43L 5/02; B42D 5/005; B42D 5/006; B42D 5/007; B42D 5/008  
See application file for complete search history.

(57) **CLAIM**  
The ornamental design for a note holder, as shown and described.

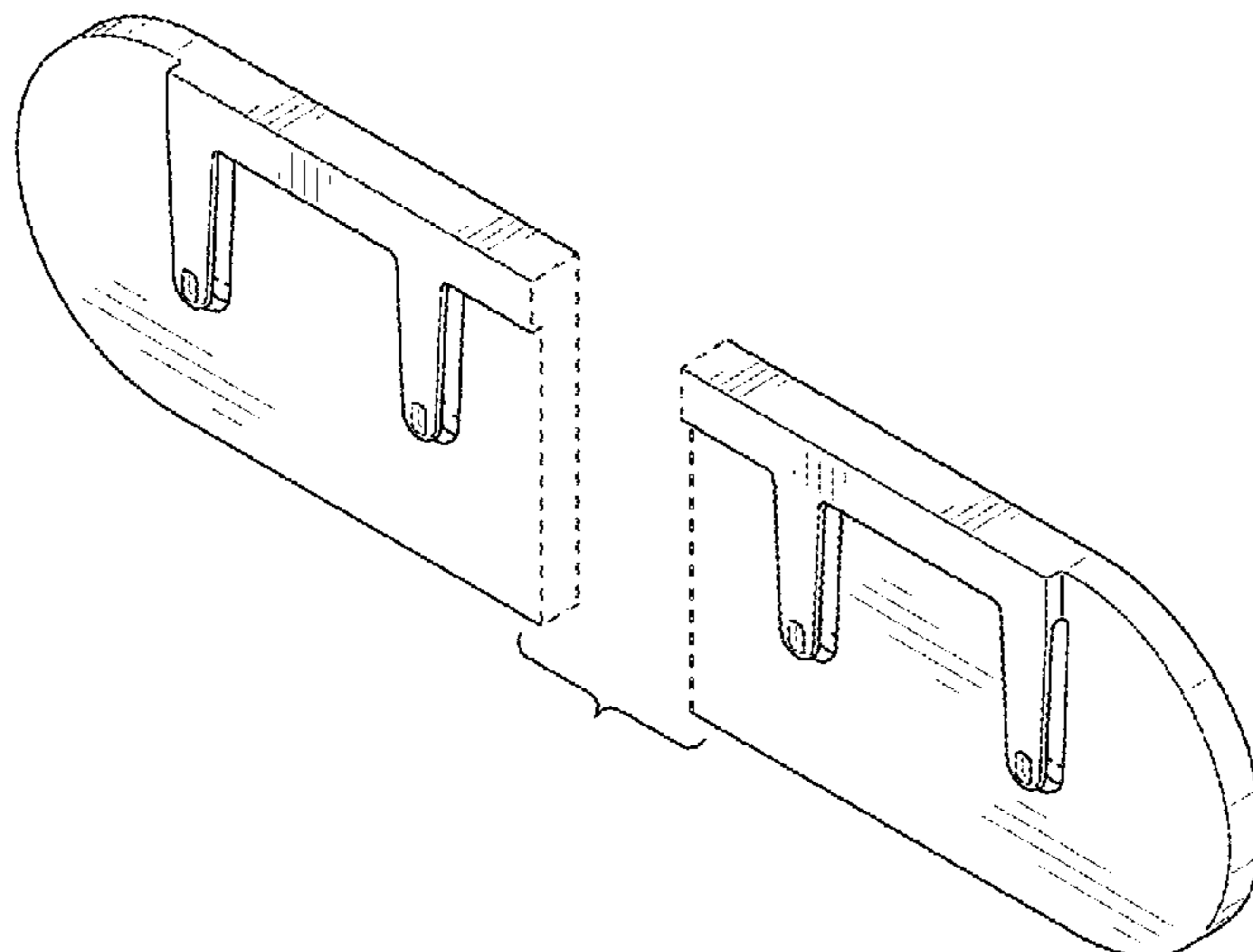
**DESCRIPTION**

FIG. 1 is a perspective view a note holder showing my new design;  
FIG. 2 is a front view thereof;  
FIG. 3 is a top view thereof;  
FIG. 4 is a bottom view thereof;  
FIG. 5 is a right side view thereof; and,  
FIG. 6 is a left side view thereof.  
The broken away symbols in the drawings indicate the appearance of any portion of the article between the break lines forms no part of the claimed design.

- (56) **References Cited**  
U.S. PATENT DOCUMENTS

D26,461 S	12/1896	Sassenhoff
D819,504	5/1906	Benedict
1,618,384 A	2/1927	Morris
1,730,241 A	10/1929	Porter
1,973,989 A	9/1934	Lukacs
D118,748 S	1/1940	Sprague
2,468,355 A	4/1949	Ambler
D159,576 S	8/1950	Bamford
2,779,114 A	1/1957	Orthwine

**1 Claim, 2 Drawing Sheets**



(56)

**References Cited**

U.S. PATENT DOCUMENTS

D445,457 S     7/2001   Brumby  
D451,134 S     11/2001   Fonfeder  
7,100,884 B2    9/2006   Lorber  
D645,515 S     9/2011   Williams, Sr.

8,510,916 B2    8/2013   Kinvi  
D715,859 S \*   10/2014   Costas ..... D19/86  
D715,860 S \*   10/2014   Costas ..... D19/86  
D715,861 S \*   10/2014   Costas ..... D19/86  
D716,377 S \*   10/2014   Costas ..... D19/86  
D719,217 S \*   12/2014   Costas ..... D19/86  
2013/0200228 A1   8/2013   Costas

\* cited by examiner

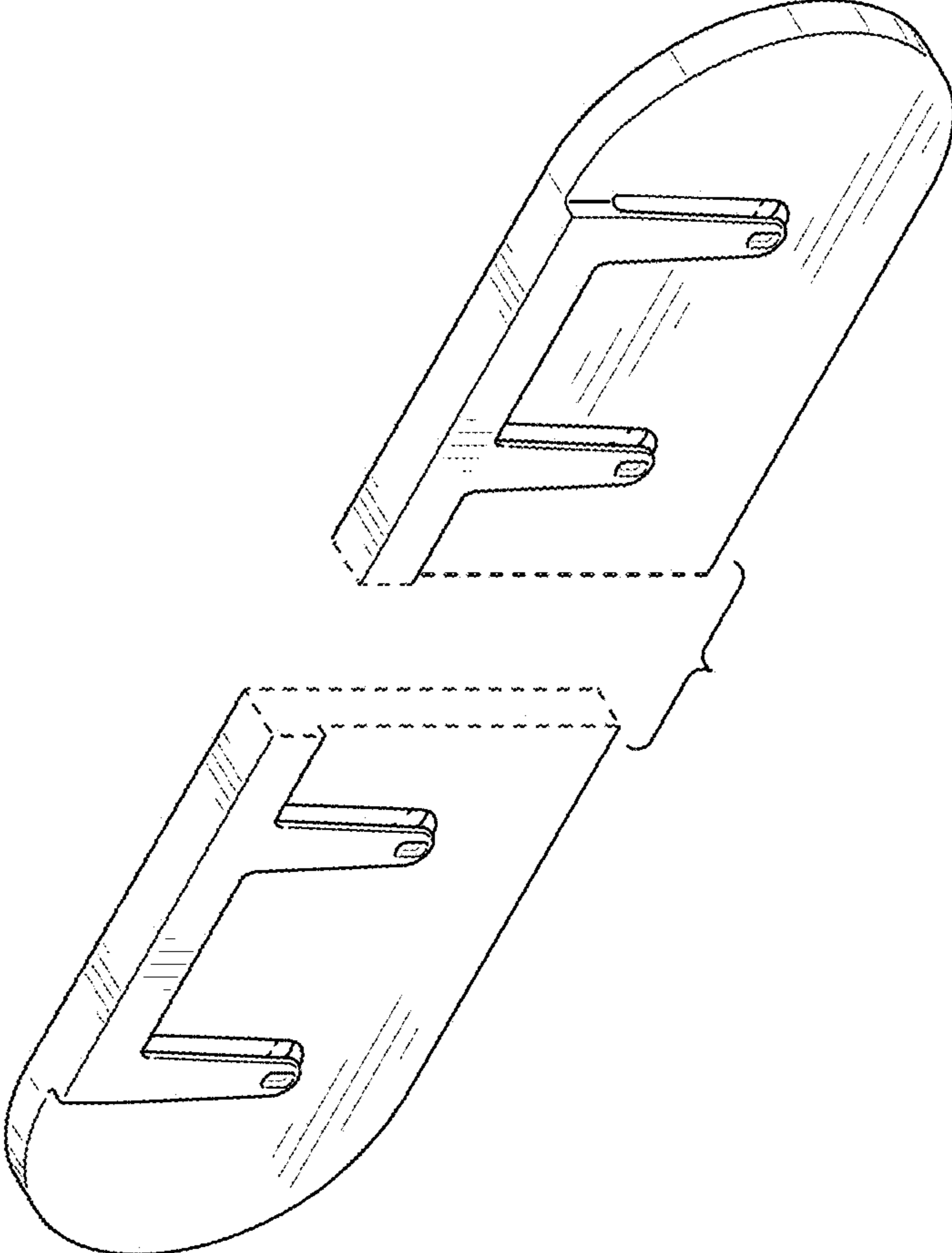


FIG. 1

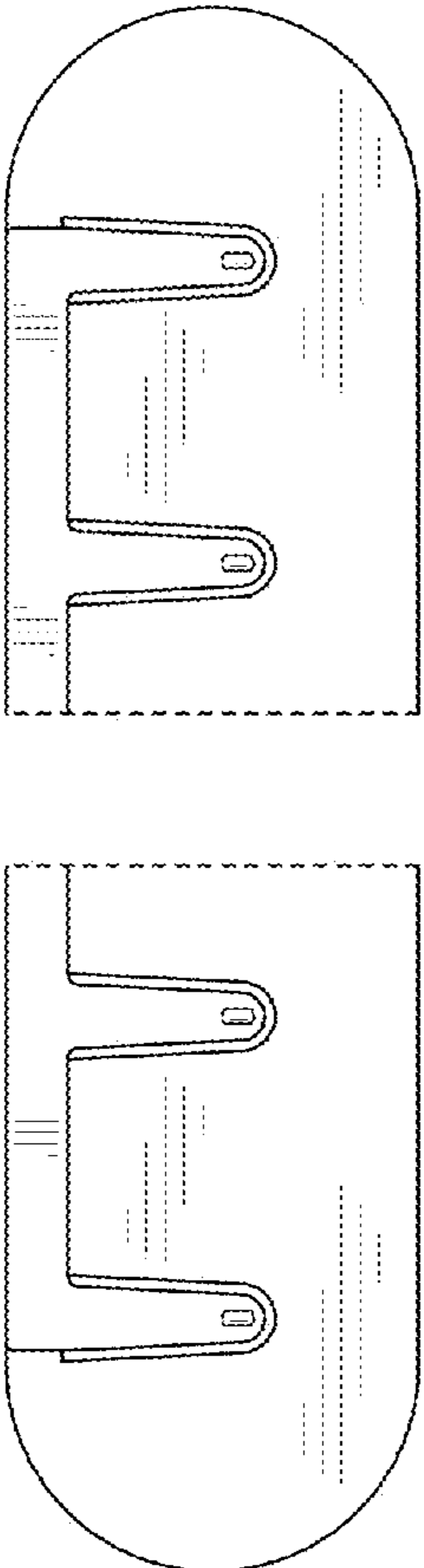


FIG. 2

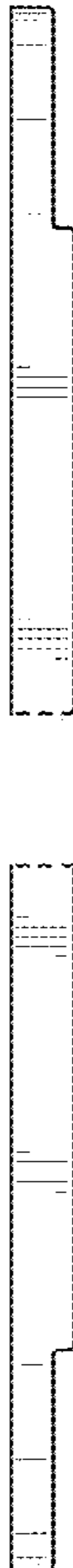


FIG. 3



FIG. 4



FIG. 5

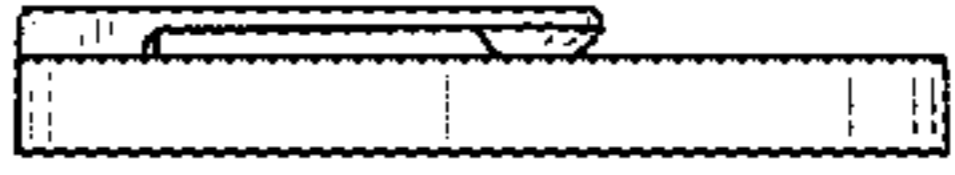


FIG. 6