



US00D753218S

(12) **United States Design Patent**
Kim et al.

(10) **Patent No.:** **US D753,218 S**
(45) **Date of Patent:** **** Apr. 5, 2016**

(54) **PRINTER**

(71) Applicant: **Samsung Electronics Co., Ltd.**,
Suwon-si (KR)

(72) Inventors: **Min-Chul Kim**, Seoul (KR);
Seung-Wook Jeong, Seoul (KR)

(73) Assignee: **Samsung Electronics Co., Ltd.**,
Suwon-si (KR)

(**) Term: **14 Years**

(21) Appl. No.: **29/506,285**

(22) Filed: **Oct. 14, 2014**

(30) **Foreign Application Priority Data**

Apr. 17, 2014 (KR) 30-2014-0019480

(51) **LOC (10) Cl.** **18-02**

(52) **U.S. Cl.**
USPC **D18/56**

(58) **Field of Classification Search**
USPC D18/18, 40, 43, 54, 55, 56, 99
CPC G03G 15/0832; G03G 15/0834; G03G
15/1836; G03G 15/0837; G03G 15/0867;
G03G 15/0868; G03G 15/0872; G03G
15/0877; G03G 15/0898; G03G 15/50;
G03G 15/5016; G03G 15/60; G03G 15/65
See application file for complete search history.

(56) **References Cited**

U.S. PATENT DOCUMENTS

D449,335 S *	10/2001	Giles	347/86
D527,420 S *	8/2006	Okuchi	D18/56
D542,840 S *	5/2007	Nakamura	D18/56
D544,537 S *	6/2007	Nakamura	D18/56
D544,911 S *	6/2007	Nakamura	D18/56

* cited by examiner

Primary Examiner — Daniel Bui

Assistant Examiner — Khawaja Anwar

(74) *Attorney, Agent, or Firm* — NSIP Law

(57) **CLAIM**

We claim the ornamental design for a printer, as shown and described.

DESCRIPTION

FIG. 1 is a front perspective view of a printer showing our new design;

FIG. 2 is a front elevation view thereof;

FIG. 3 is a rear elevation view thereof;

FIG. 4 is a left-side elevation view thereof;

FIG. 5 is a right-side elevation view thereof;

FIG. 6 is a top plan view thereof;

FIG. 7 is a bottom plan view thereof; and,

FIG. 8 is another bottom plan view, shown in alternate position.

The broken line in the figure drawings represents unclaimed environment only and forms no part of the claimed design.

1 Claim, 6 Drawing Sheets

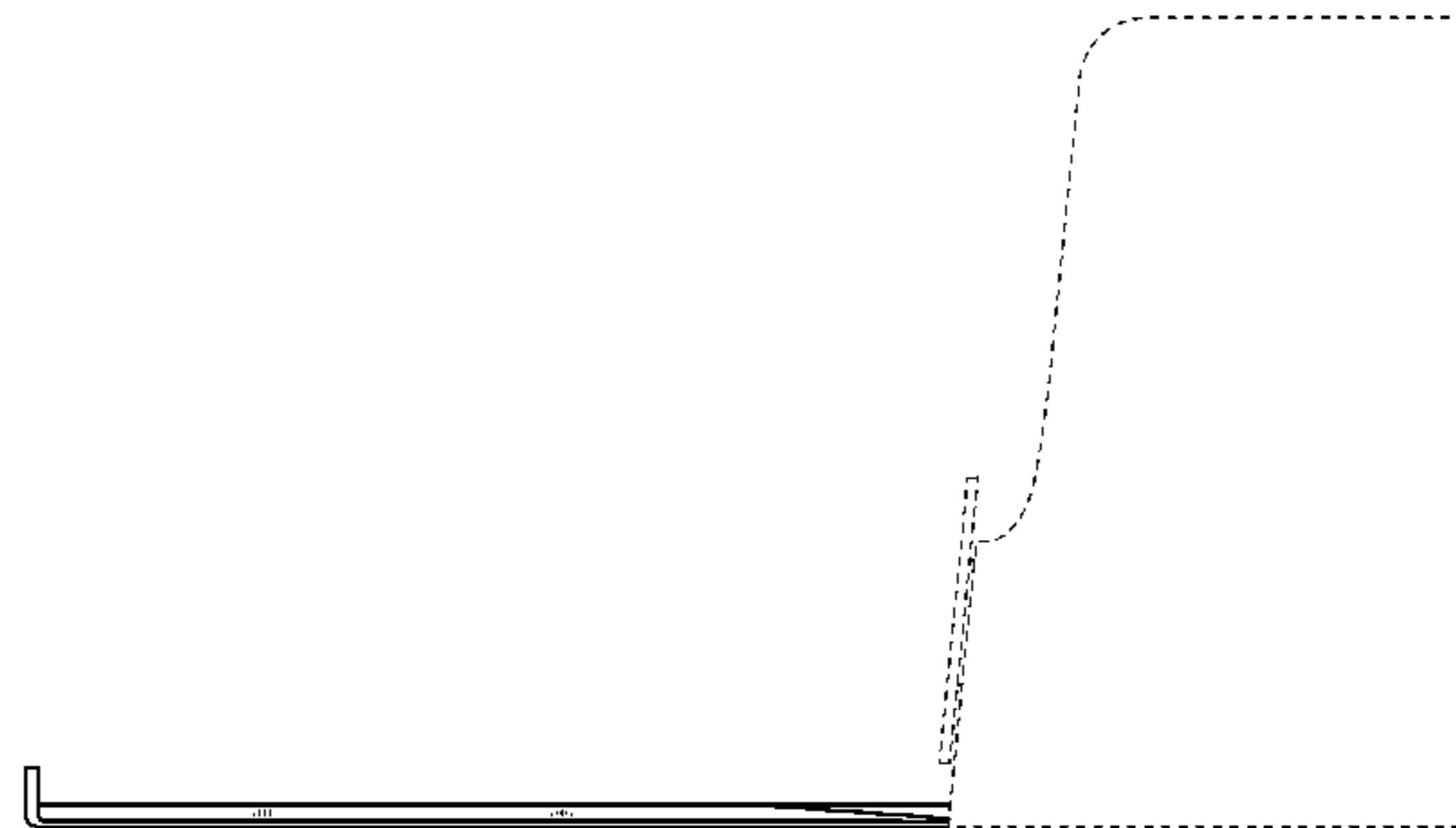
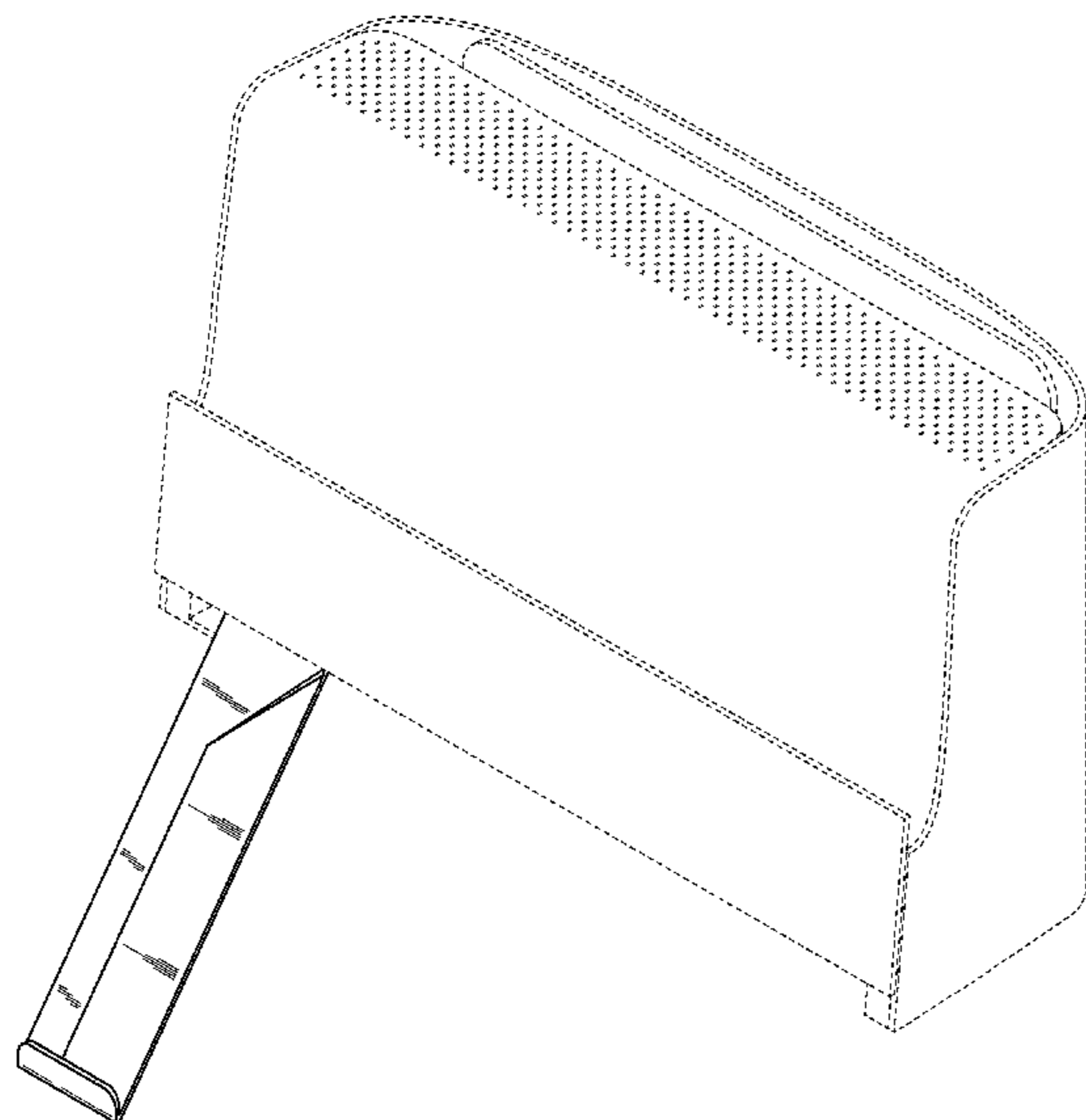


FIG.1

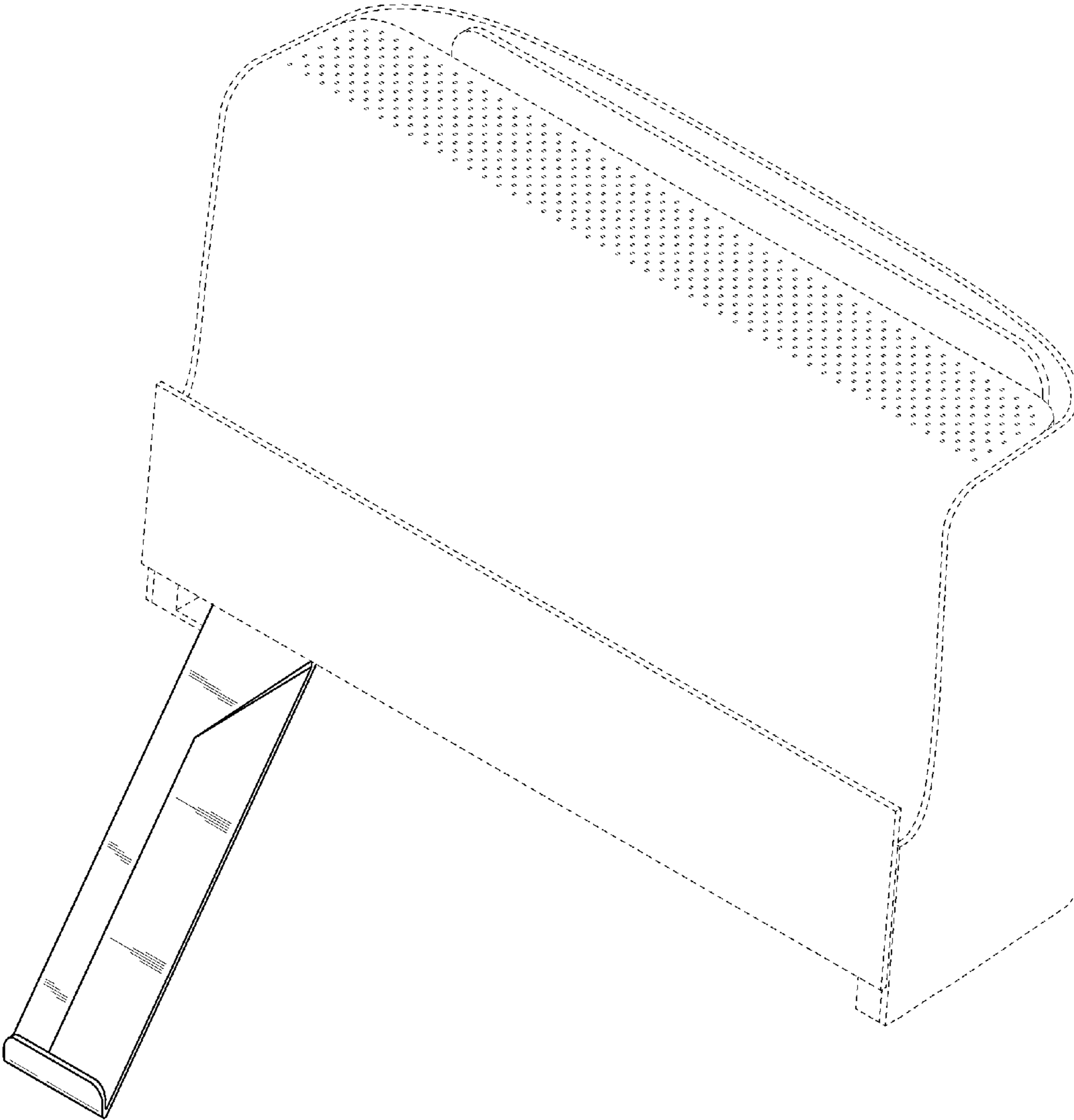


FIG.2



FIG.3



FIG.4

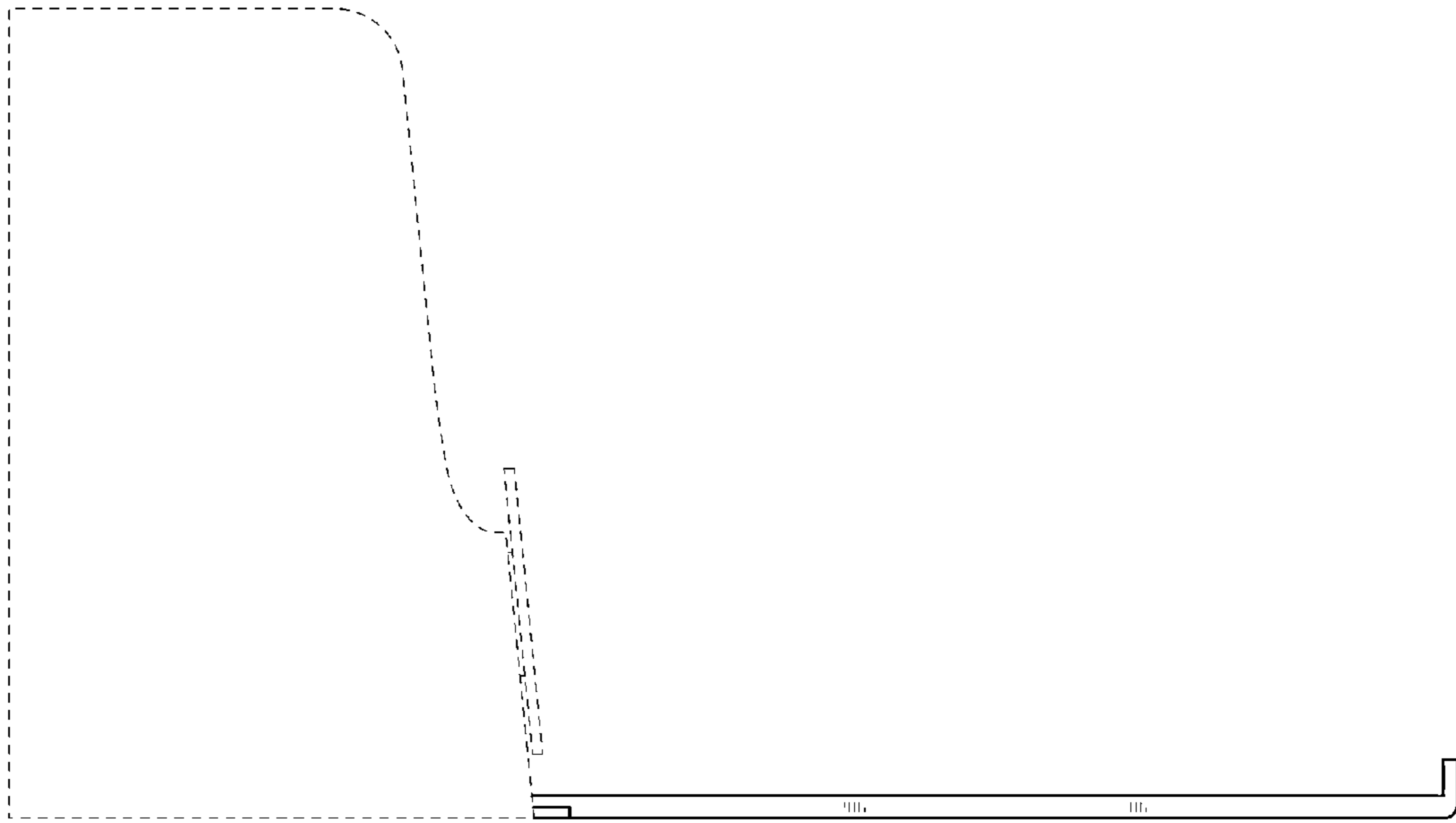


FIG.5

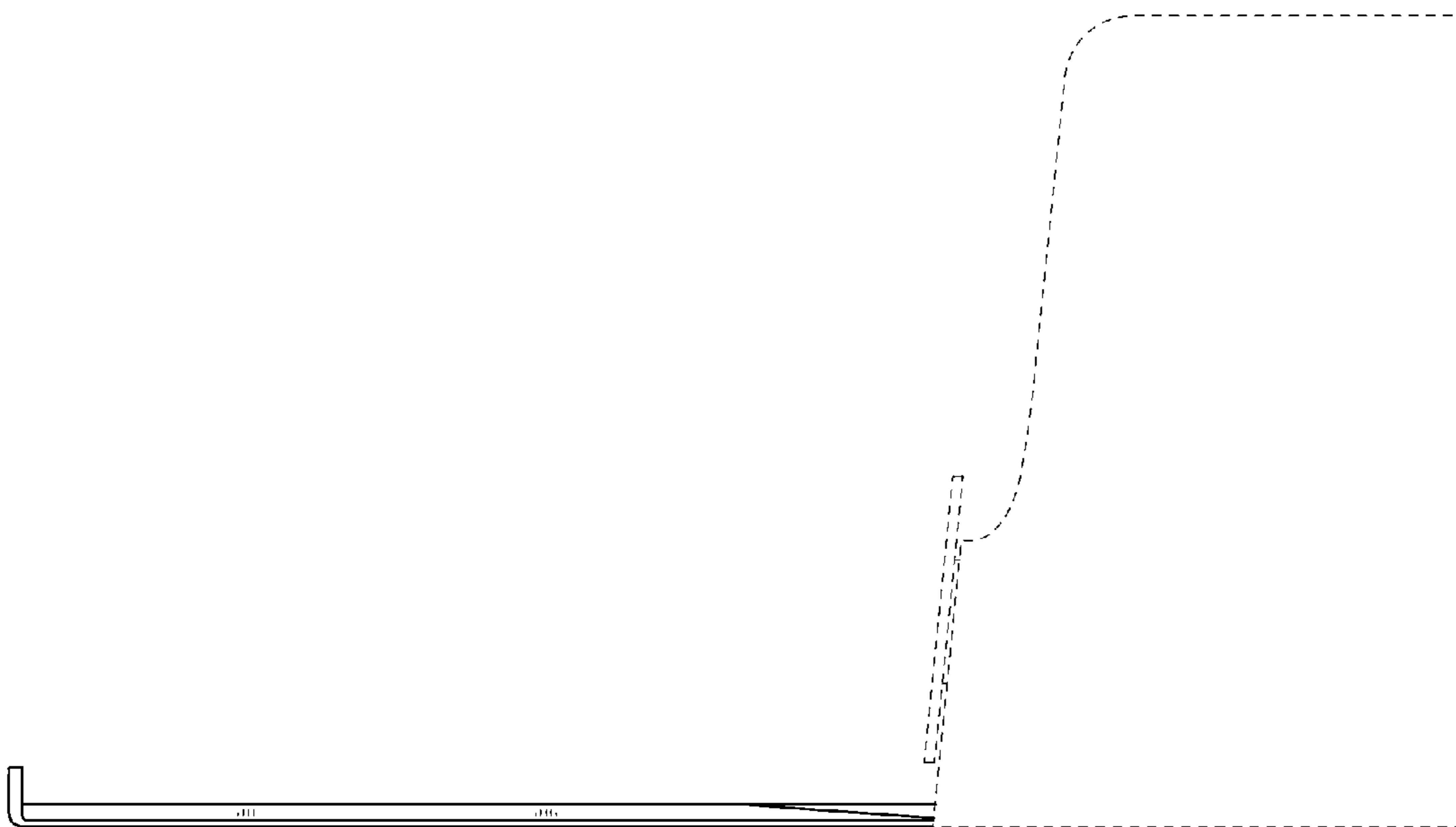


FIG.6

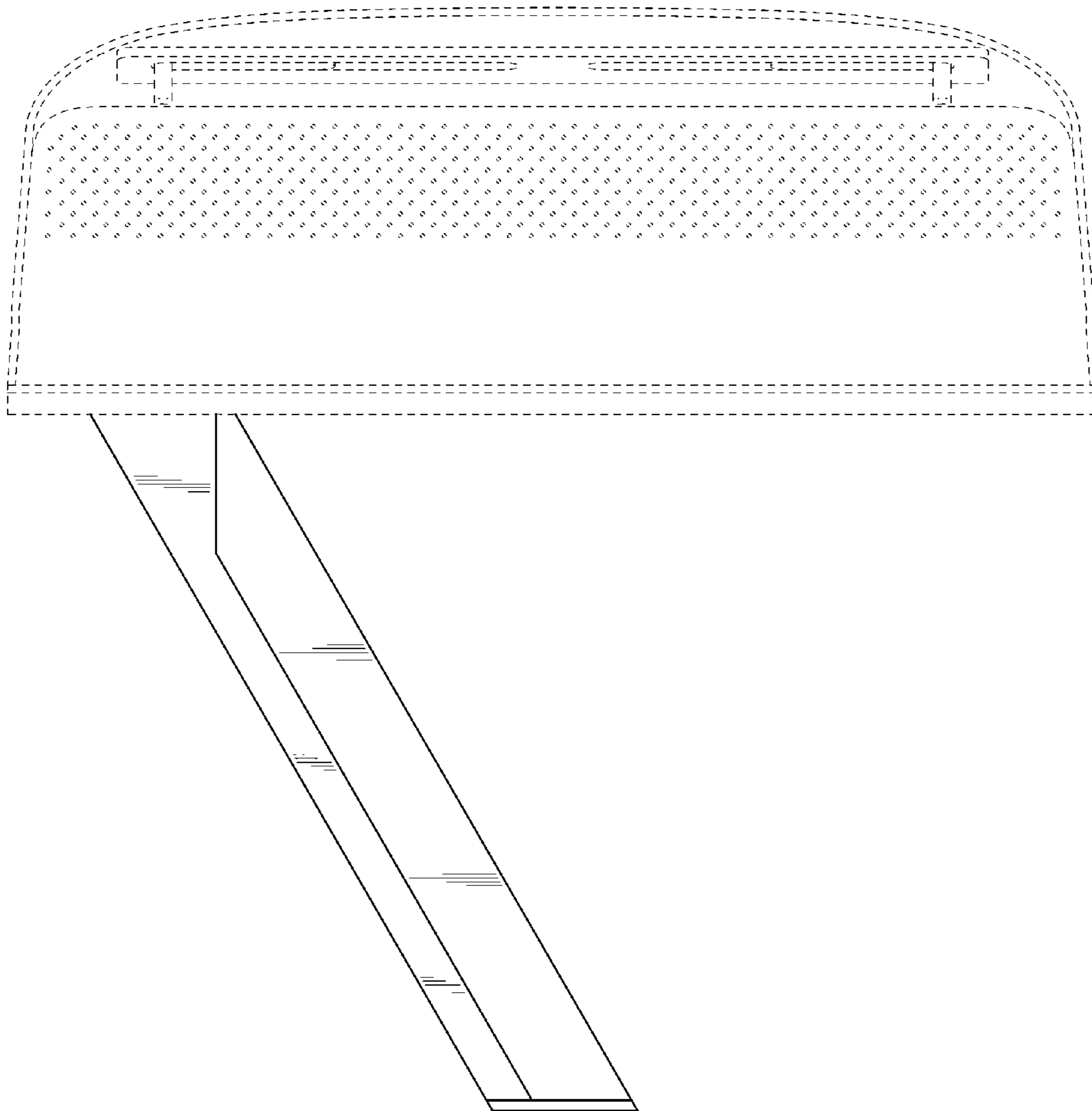


FIG.7

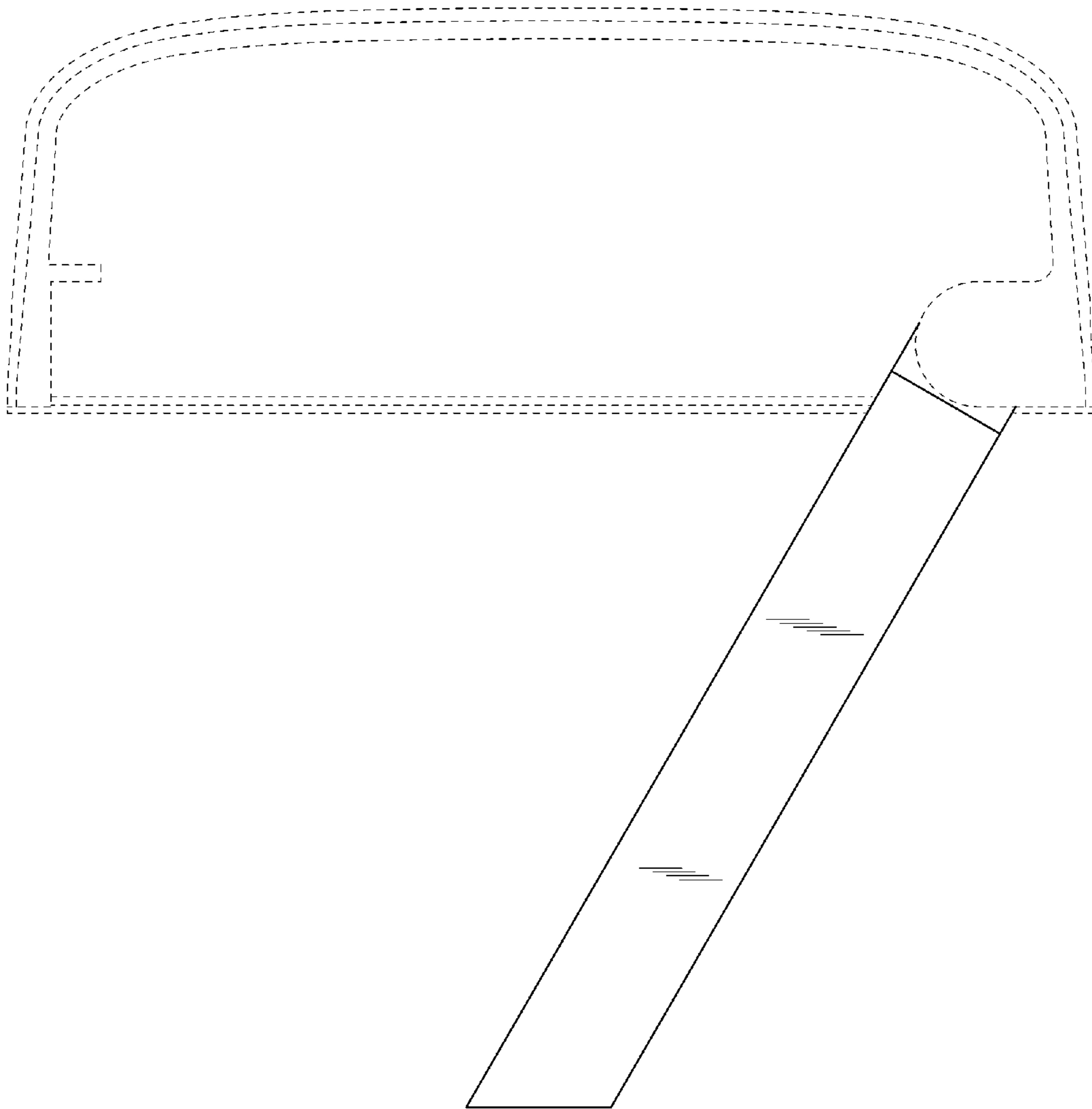


FIG.8

