



US00D753217S

(12) **United States Design Patent**
Ozawa et al.

(10) **Patent No.:** **US D753,217 S**

(45) **Date of Patent:** **** Apr. 5, 2016**

(54) **LABEL PRINTER**

(56) **References Cited**

(71) Applicant: **SATO HOLDINGS**
KABUSHIKIKAISHA, Tokyo (JP)

U.S. PATENT DOCUMENTS

(72) Inventors: **Taichi Ozawa**, Tokyo (JP); **Kota Yamada**, Tokyo (JP); **Hikari Mochizuki**, Tokyo (JP)

D207,059	S	*	2/1967	Regal	D14/469
D218,538	S	*	8/1970	Bixler et al.	D18/54
D239,719	S	*	4/1976	Tooke	D18/54
D318,288	S	*	7/1991	Tashiro	D18/54
D350,150	S	*	8/1994	Weitkamp	D18/19
D528,587	S	*	9/2006	Nakaeda	D18/19
D579,487	S	*	10/2008	Yamada	D18/50
D720,397	S	*	12/2014	Hirabayashi	D18/50
D739,459	S	*	9/2015	Murata	D18/50

(73) Assignee: **SATO HOLDINGS KABUSHIKI**
KAISHA, Tokyo (JP)

* cited by examiner

(**) Term: **14 Years**

Primary Examiner — Cathy Anne MacCormac

(21) Appl. No.: **29/510,459**

(74) *Attorney, Agent, or Firm* — Andrew F. Young, Esq.;
Lackebach Siegel, LLP

(22) Filed: **Nov. 28, 2014**

(57) **CLAIM**

The ornamental design for a label printer, as shown and described.

(30) **Foreign Application Priority Data**

DESCRIPTION

May 29, 2014 (JP) 2014-011534

(51) **LOC (10) Cl.** **18-02**

(52) **U.S. Cl.**
USPC **D18/50**

(58) **Field of Classification Search**
USPC D18/4.5, 4.6, 14, 19, 36-39, 50, 54,
D18/54.1, 55

CPC B41J 3/4075; B41J 11/58; B41J 15/12;
B41J 15/042; B41J 17/00; B41J 29/02;
B41J 29/08

FIG. 1 is a front perspective view of the present invention.
FIG. 2 is a front elevation view of FIG. 1.
FIG. 3 is a rear elevation view of FIG. 1.
FIG. 4 is a top plan view of FIG. 1.
FIG. 5 is a bottom plan view of FIG. 1.
FIG. 6 is a right side elevation view of FIG. 1; and,
FIG. 7 is a left side elevation view of FIG. 1.
The broken lines depict environmental subject matter, are for illustrative purposes only and form no part of the claimed design.

See application file for complete search history.

1 Claim, 7 Drawing Sheets

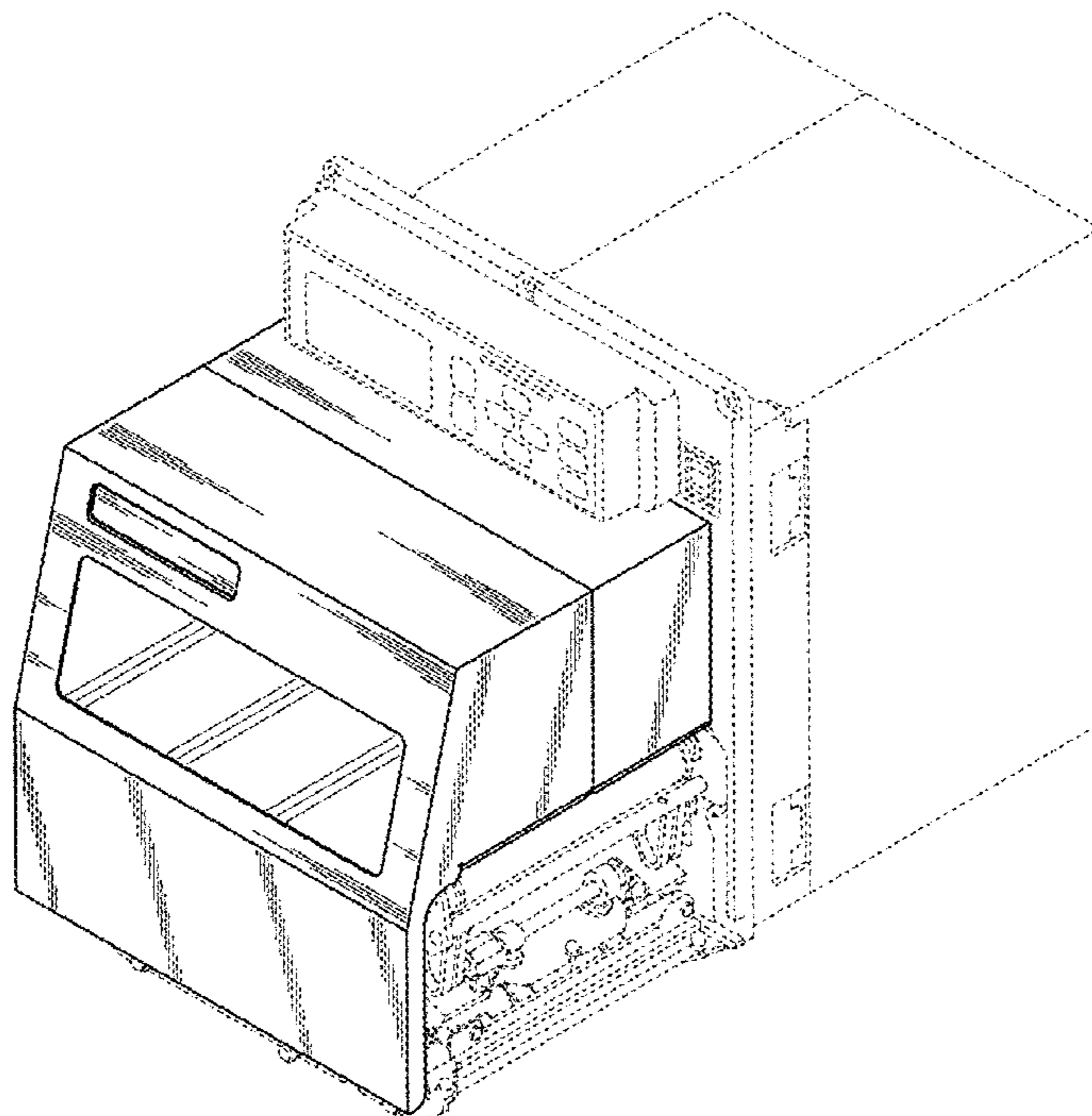


FIG. 1

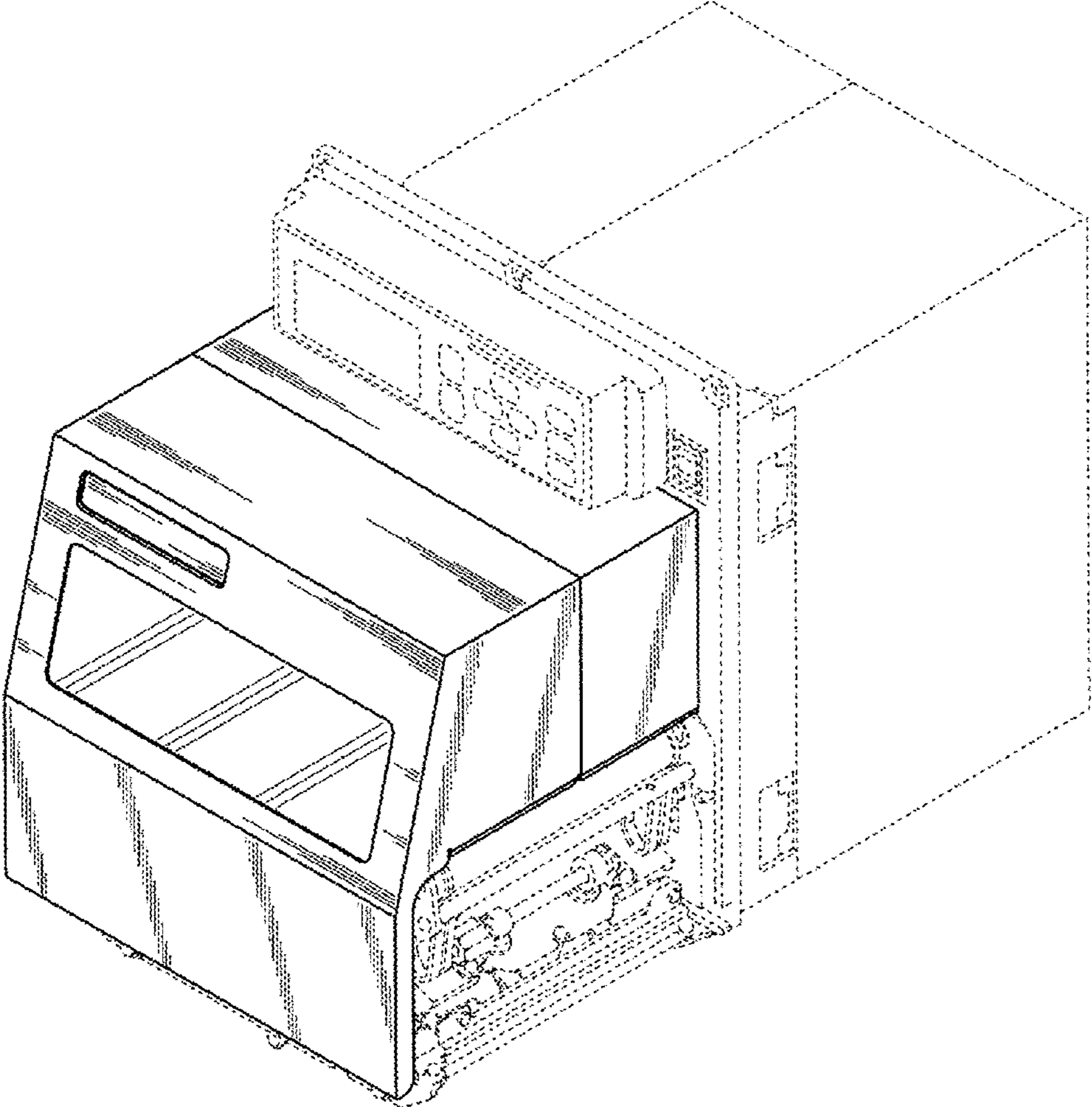


FIG. 2

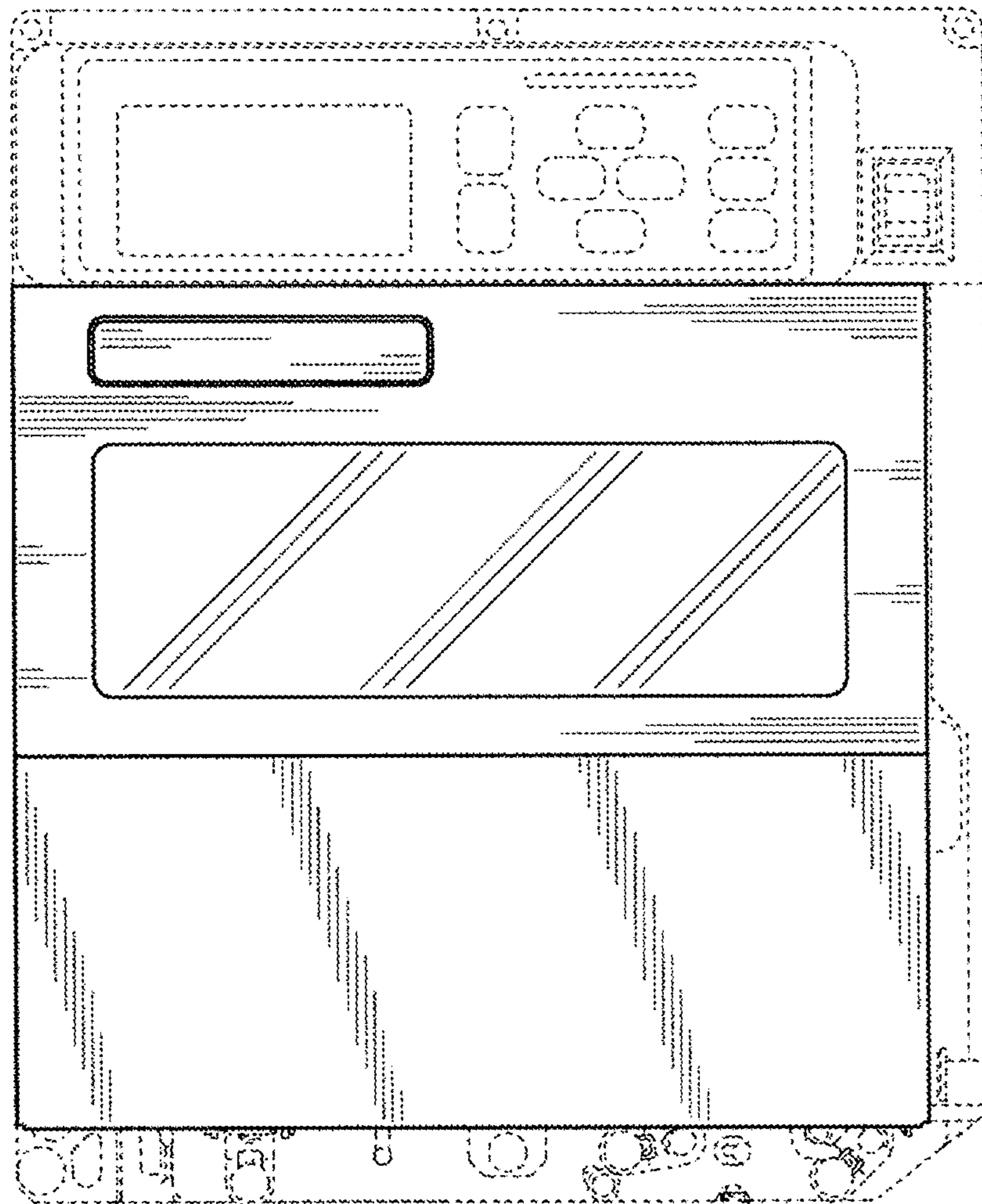


FIG. 3

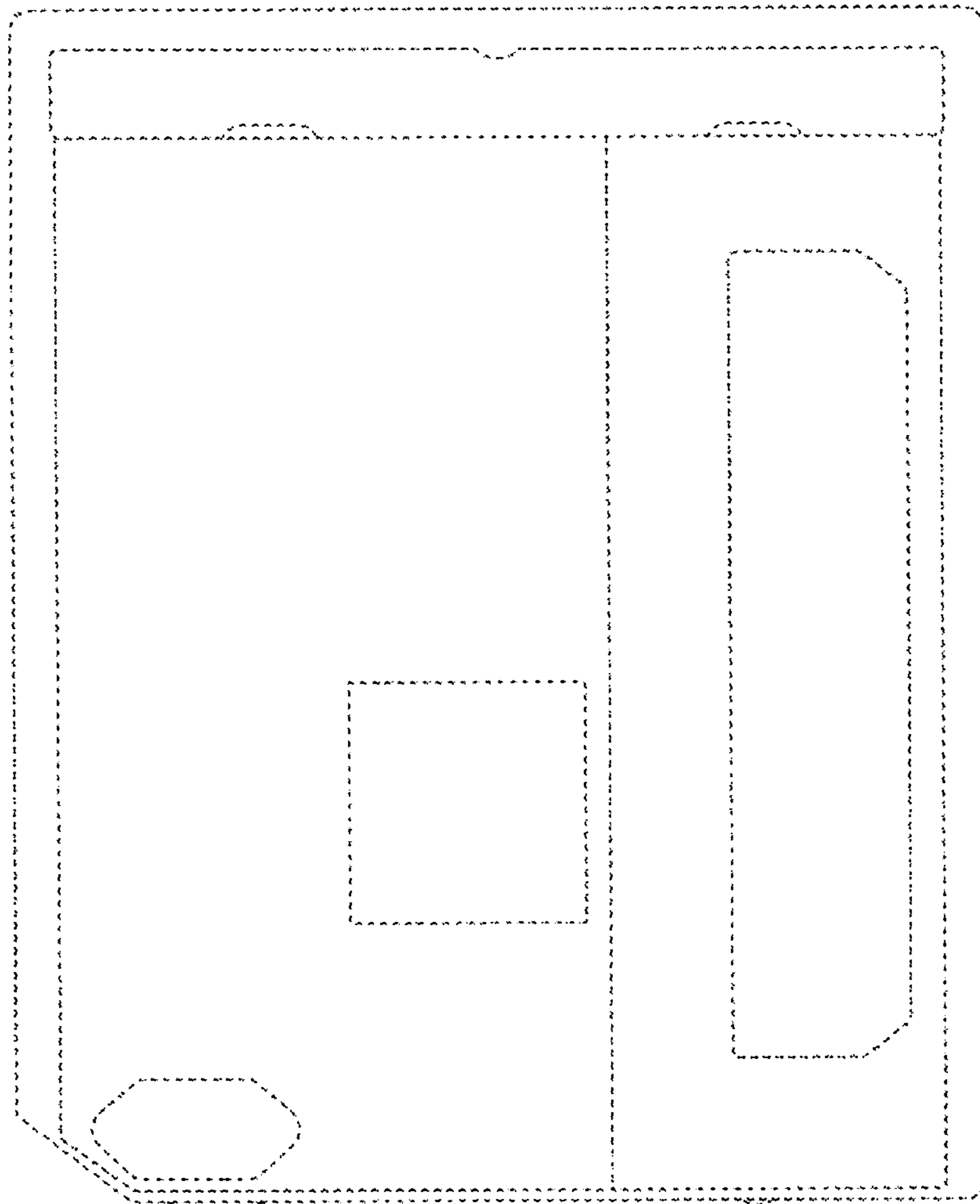


FIG. 4

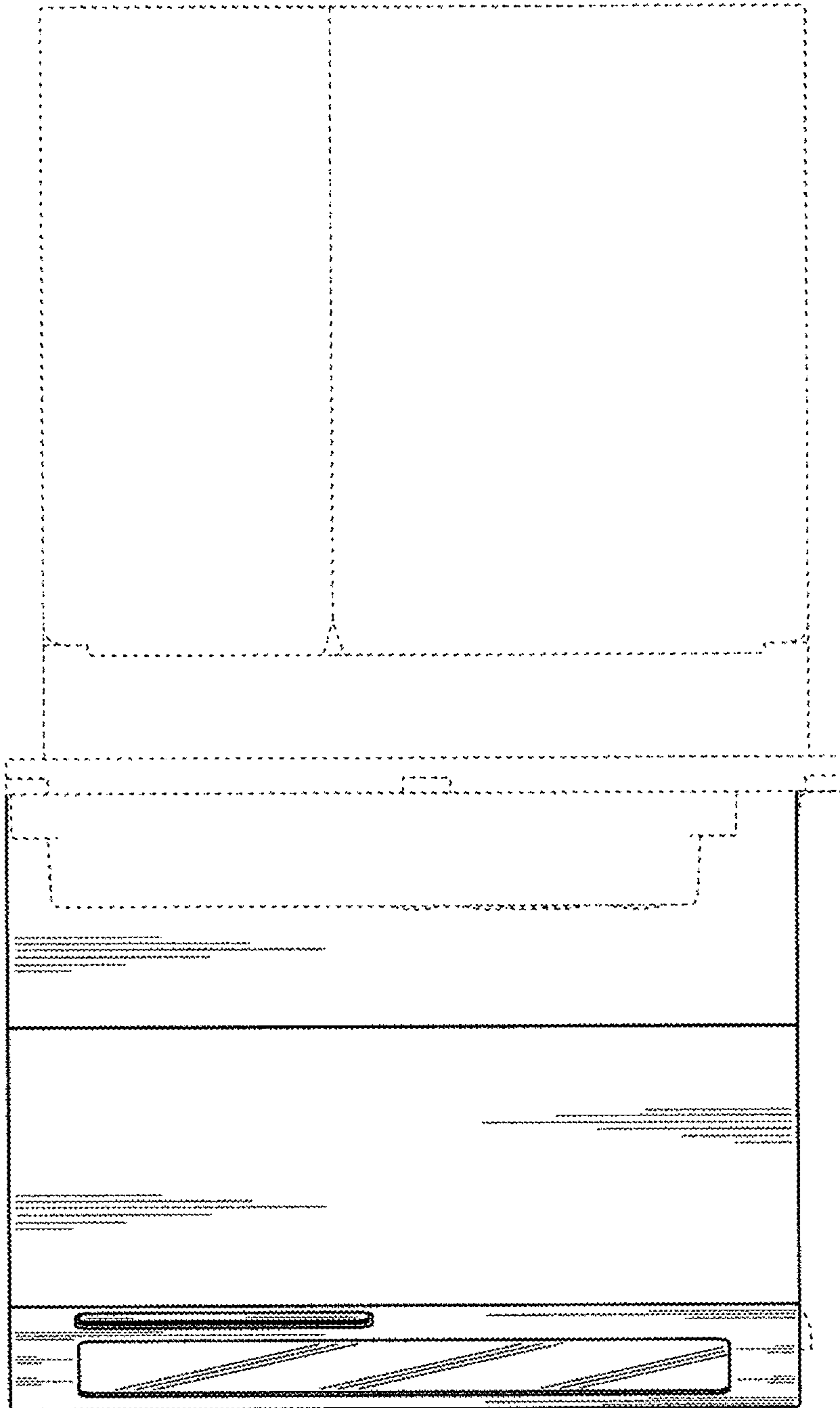


FIG. 5

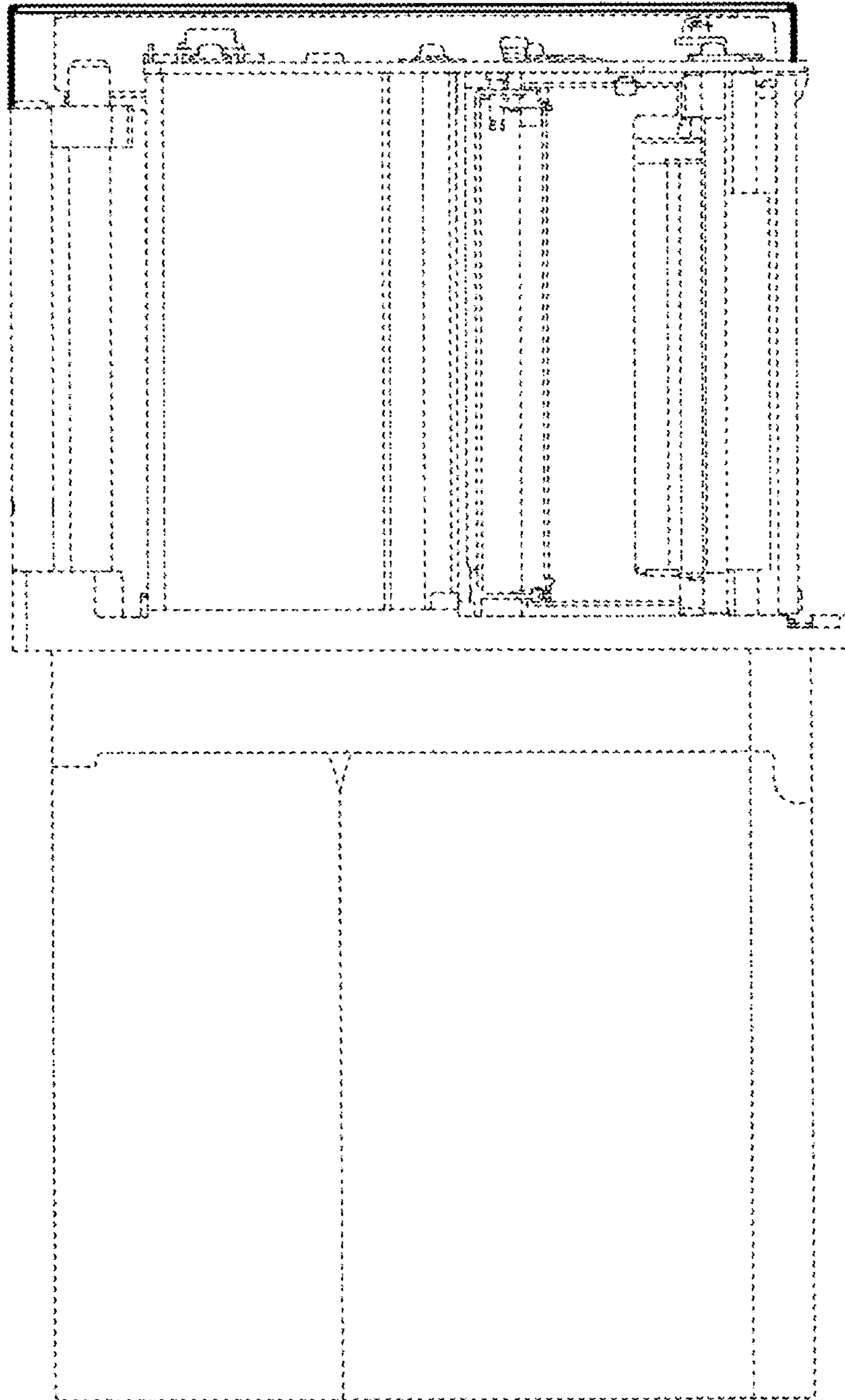


FIG. 6

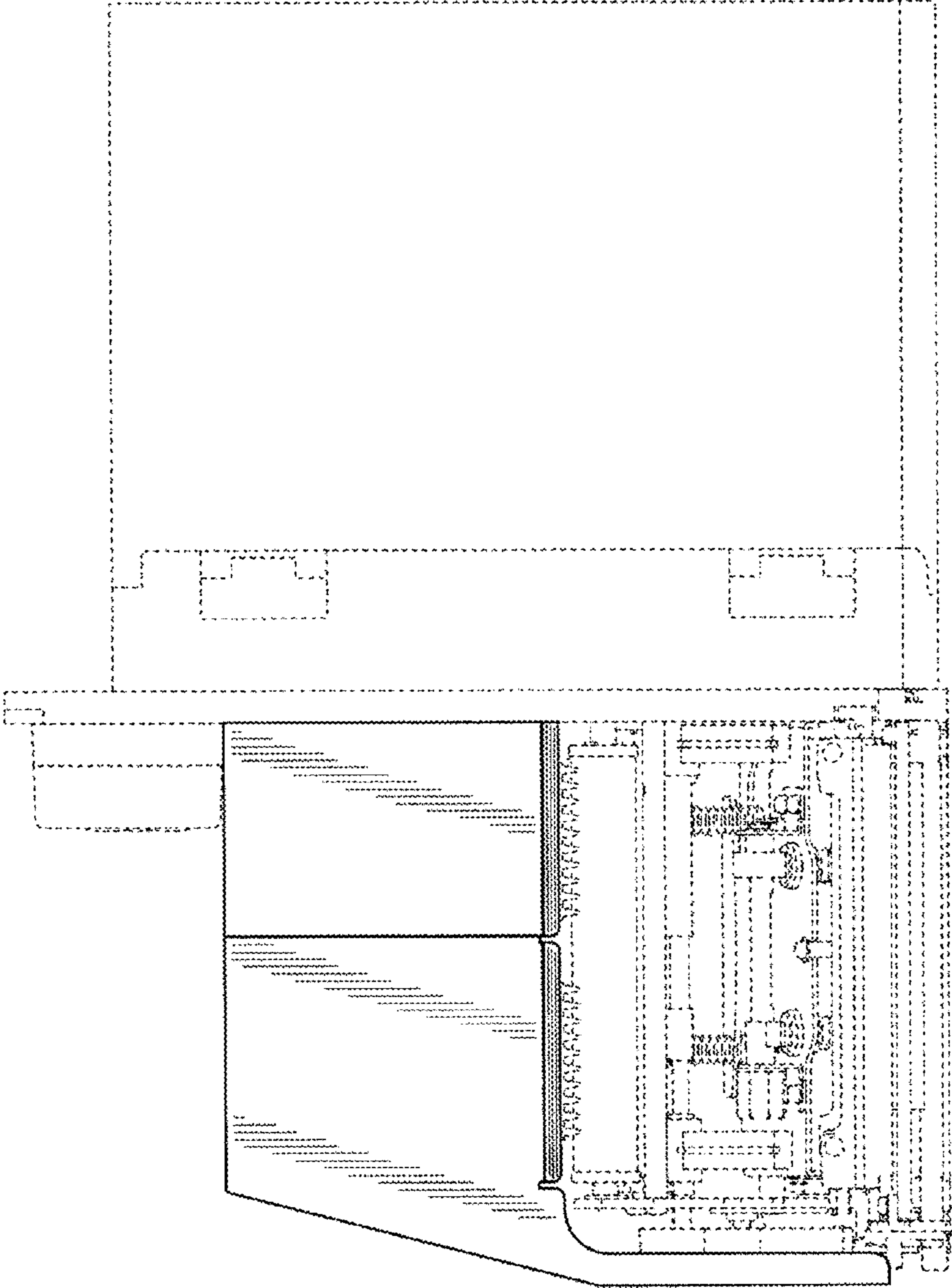


FIG. 7

