



US00D753215S

(12) **United States Design Patent**
Way

(10) **Patent No.:** **US D753,215 S**
(45) **Date of Patent:** **** Apr. 5, 2016**

- (54) **TROMBONE GRIP**
- (71) Applicant: **James Wesley Way**, Fairfax, VA (US)
- (72) Inventor: **James Wesley Way**, Fairfax, VA (US)
- (**) Term: **14 Years**
- (21) Appl. No.: **29/492,039**
- (22) Filed: **May 28, 2014**
- (51) **LOC (10) Cl.** **17-02**
- (52) **U.S. Cl.**
USPC **D17/13**
- (58) **Field of Classification Search**
USPC D17/10, 11, 12, 13; D21/411, 586;
984/1, 10, 11
CPC G10B 1/04; G10D 3/05; G10D 7/10;
G10D 9/02; G10D 9/04
See application file for complete search history.

(56) **References Cited**

U.S. PATENT DOCUMENTS

468,116	A	2/1892	Robinson	
673,983	A	5/1901	Harrison	
677,965	A	7/1901	Ennis	
958,051	A	5/1910	White	
959,034	A	5/1910	Summers	
1,255,766	A	2/1918	Martens	
1,270,215	A	6/1918	Sanuy et al.	
1,782,452	A *	11/1930	Williams	G10D 7/10 84/395
1,905,045	A	10/1931	Neptune	
D110,493	S	2/1938	Olds	
2,113,502	A *	4/1938	Beers	G10D 7/10 84/395
3,834,268	A	9/1974	McCracken	
3,847,051	A	11/1974	Miller	
3,937,116	A	2/1976	Ramirez	
5,656,788	A	8/1997	Wise	
5,894,098	A *	4/1999	Hsieh	G10B 7/10 84/387 A
6,118,059	A	9/2000	Ternes	
6,504,087	B2	1/2003	Shulman	
7,396,985	B1	7/2008	Roth	
7,638,699	B2	12/2009	Buettgen	

8,138,405	B2 *	3/2012	Hsiao	F16K 5/02 84/394
8,227,676	B2 *	7/2012	Jackson	G10D 7/10 84/380 R
8,461,439	B2	6/2013	Rashleigh	
8,466,362	B2 *	6/2013	Hsiao	G10D 9/04 84/390
2007/0056430	A1	3/2007	Lee	
2010/0147134	A1 *	6/2010	Griego	G10D 9/005 84/395
2012/0006177	A1	1/2012	Jackson et al.	
2012/0024127	A1 *	2/2012	Rashleigh	G10D 7/10 84/395

OTHER PUBLICATIONS

Stanza Grip: <http://stanzaproductions.com/stanzagrip.html>, Jun. 28, 2010.

(Continued)

Primary Examiner — Manpreet Matharu
Assistant Examiner — Lisa A Grabenstetter
(74) *Attorney, Agent, or Firm* — Intellalegal; James W. Pravel

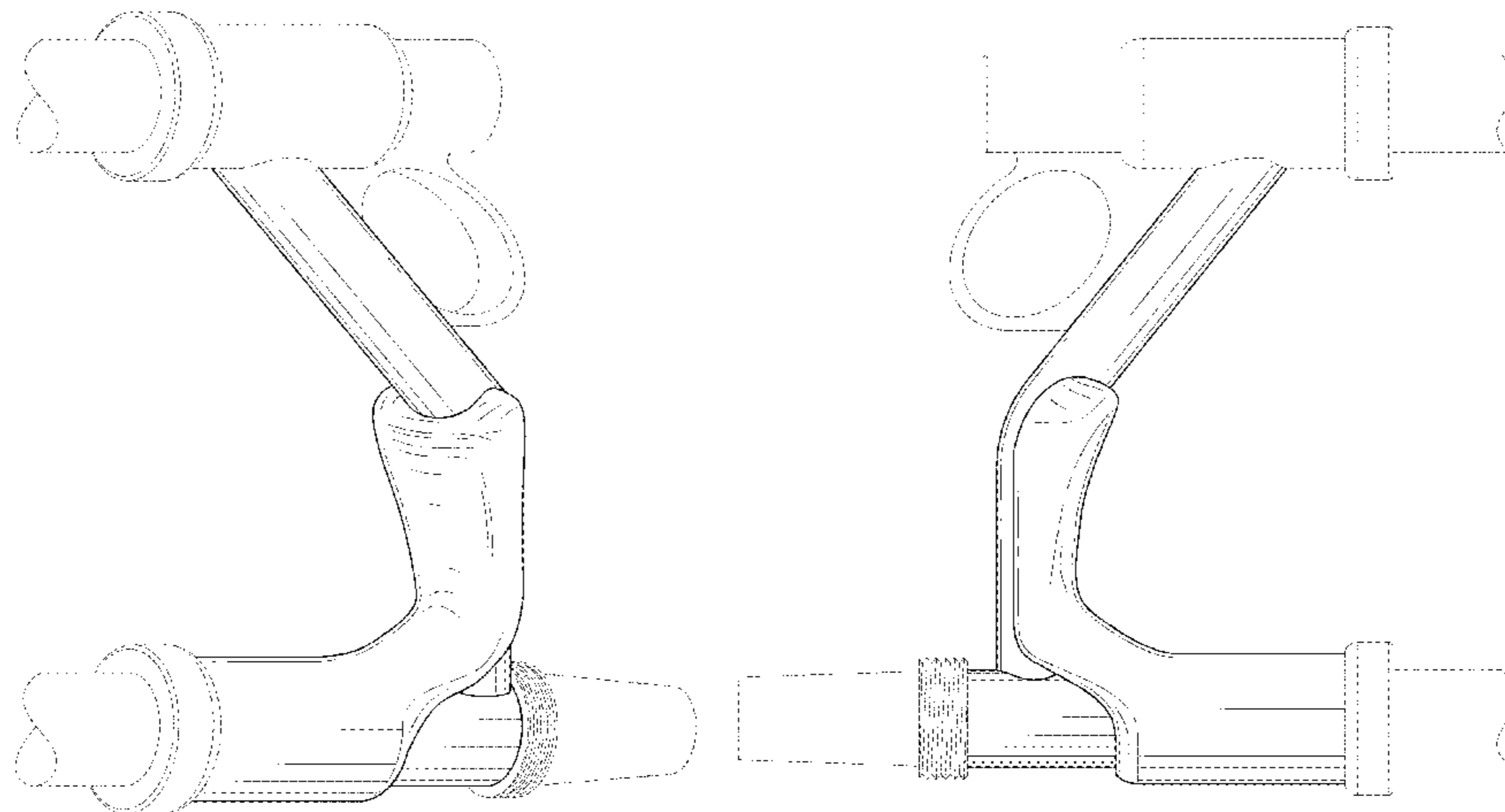
(57) **CLAIM**

The ornamental design for a trombone grip, as shown and described.

DESCRIPTION

FIG. 1 is a left side perspective view of a trombone grip showing my new design;
FIG. 2 is a front elevation view thereof;
FIG. 3 is a rear elevation view thereof;
FIG. 4 is a right side elevation view thereof;
FIG. 5 is a top plan view thereof;
FIG. 6 is a bottom plan view thereof;
FIG. 7 is a right side elevation view thereof shown in an environment use; and,
FIG. 8 is a right side perspective view thereof, shown in a reduced scale, shown in an environmental use.
The broken line portions of FIGS. 1-8 show unclaimed subject matter only and form no part of the claimed design.

1 Claim, 6 Drawing Sheets



(56)

References Cited

OTHER PUBLICATIONS

B. A. C. Custom: <https://www.facebook.com/bachornddoctor>, Oct. 7, 2009 and Apr. 7, 2012.

BACH Horn Doctor; Elliot Mason, Signature Series: http://bachornddoctor.com/ct/?page_id=52 also photographs at: http://www.facebook.com/bachornddoctor/photos_stream.

* cited by examiner

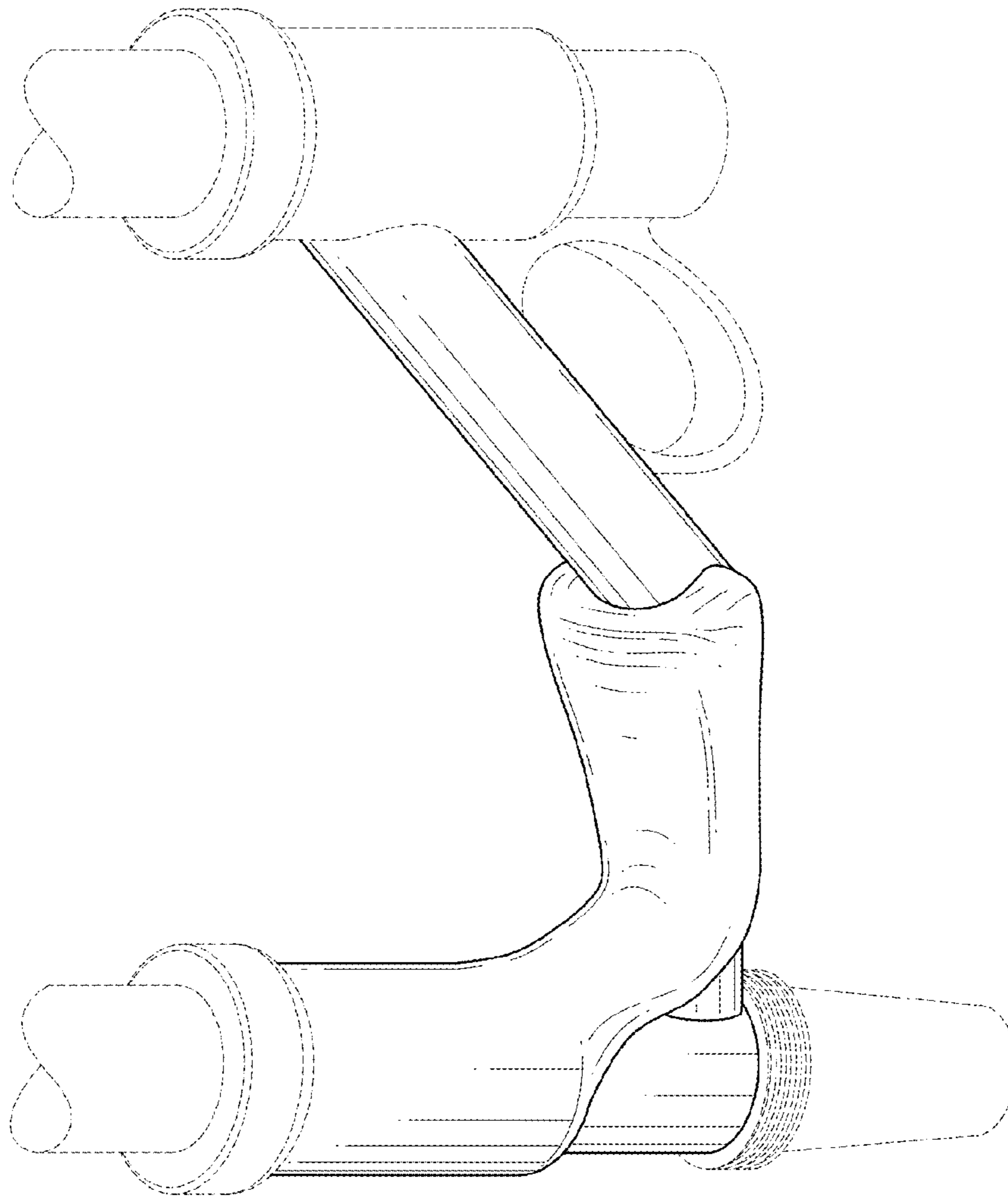


FIG. 1

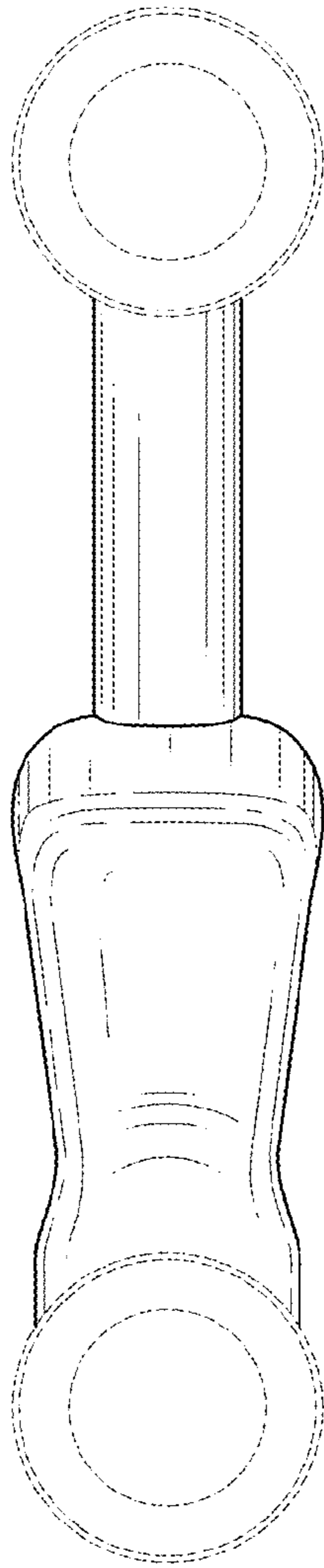


FIG. 2

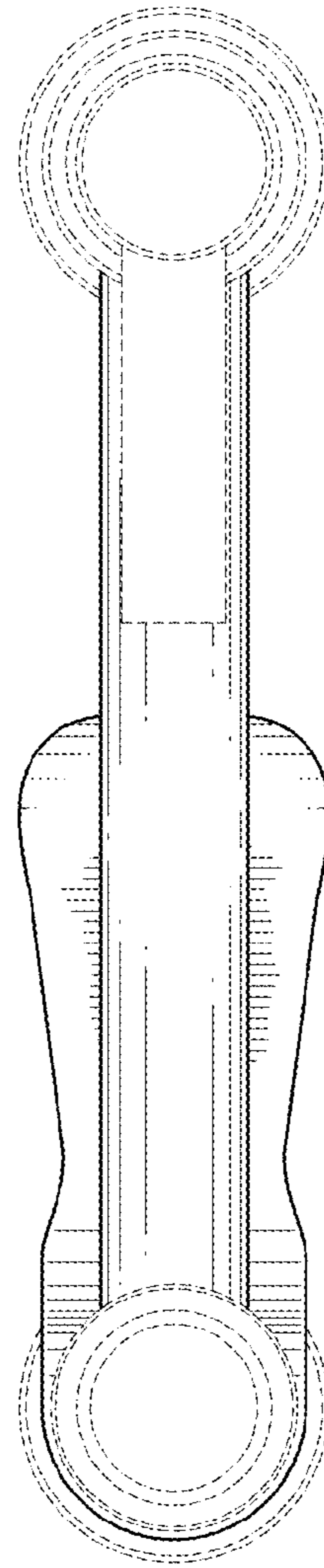


FIG. 3

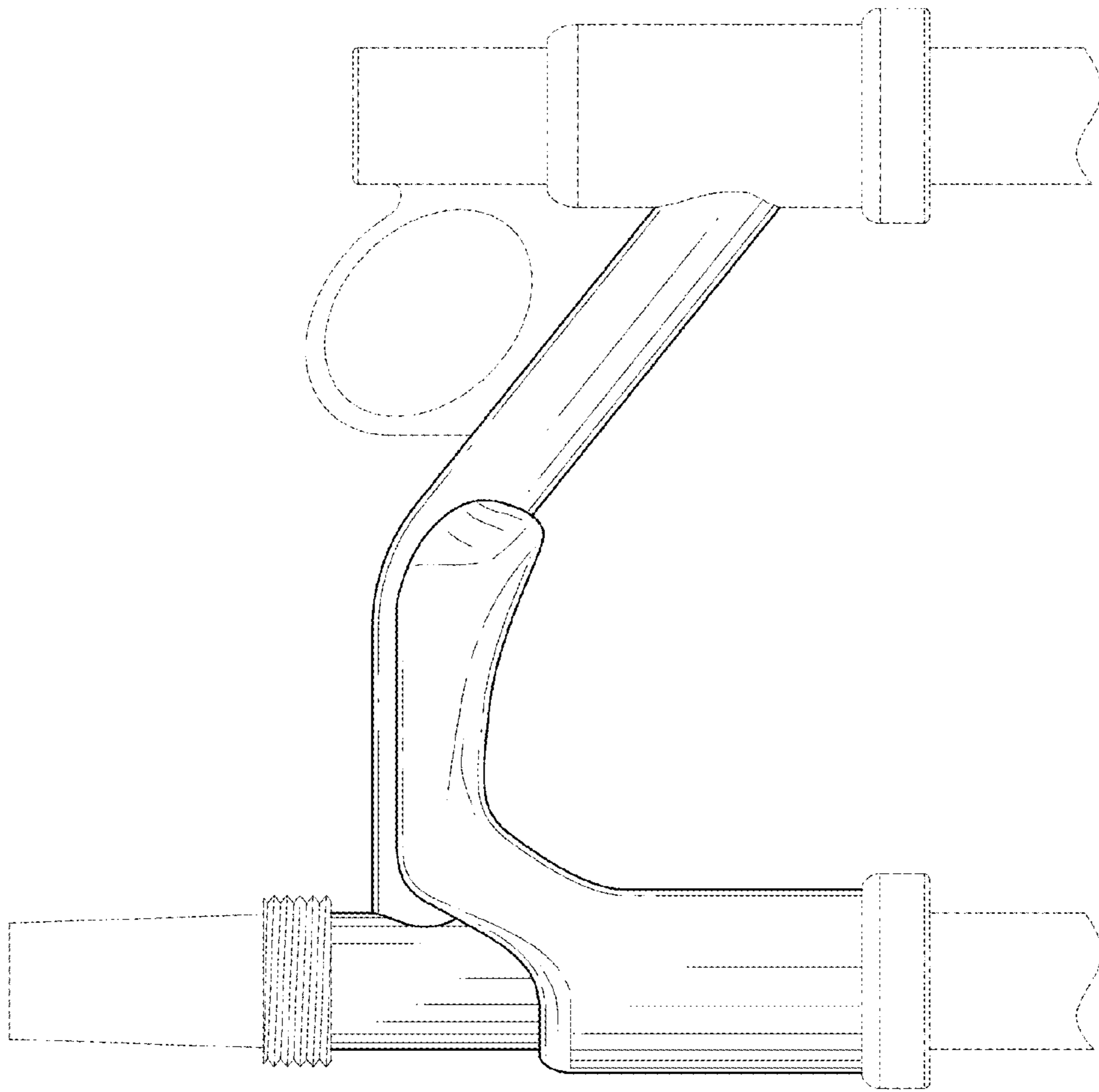


FIG. 4

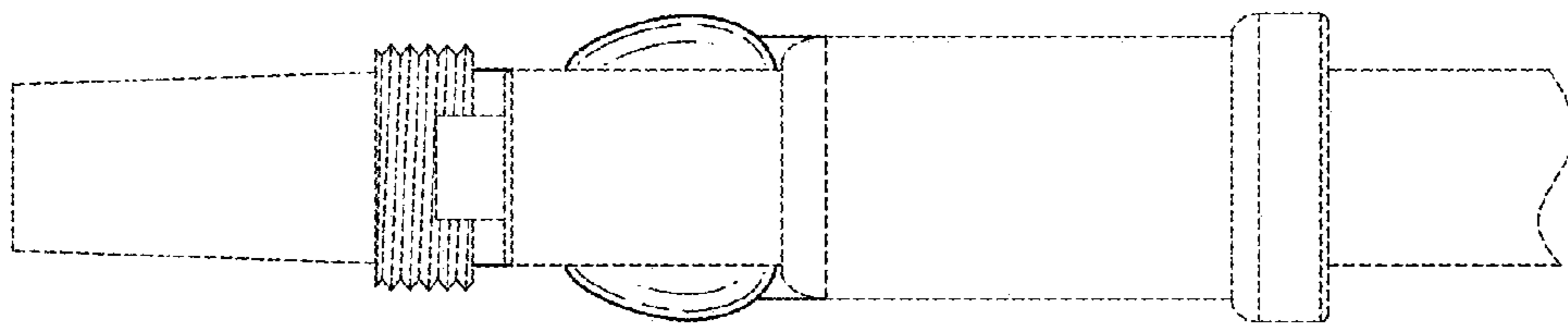


FIG. 5

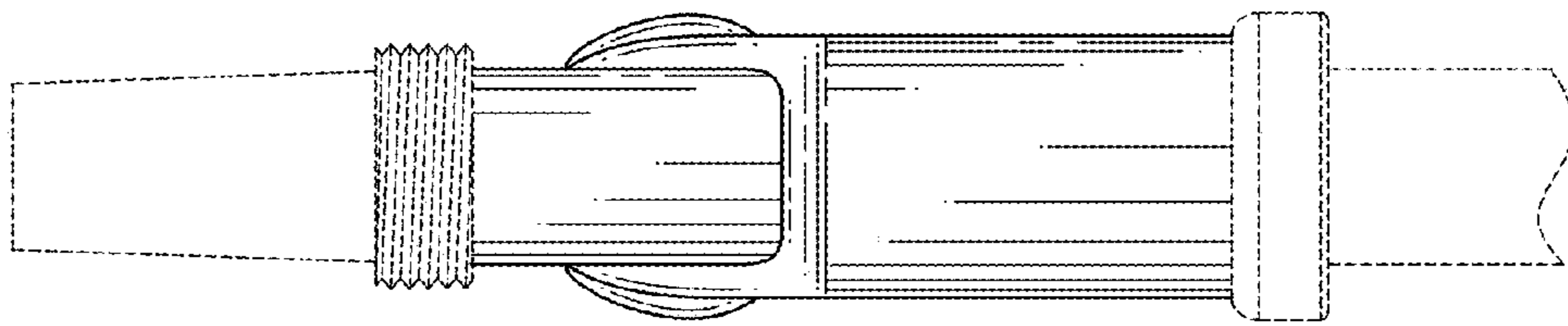


FIG. 6

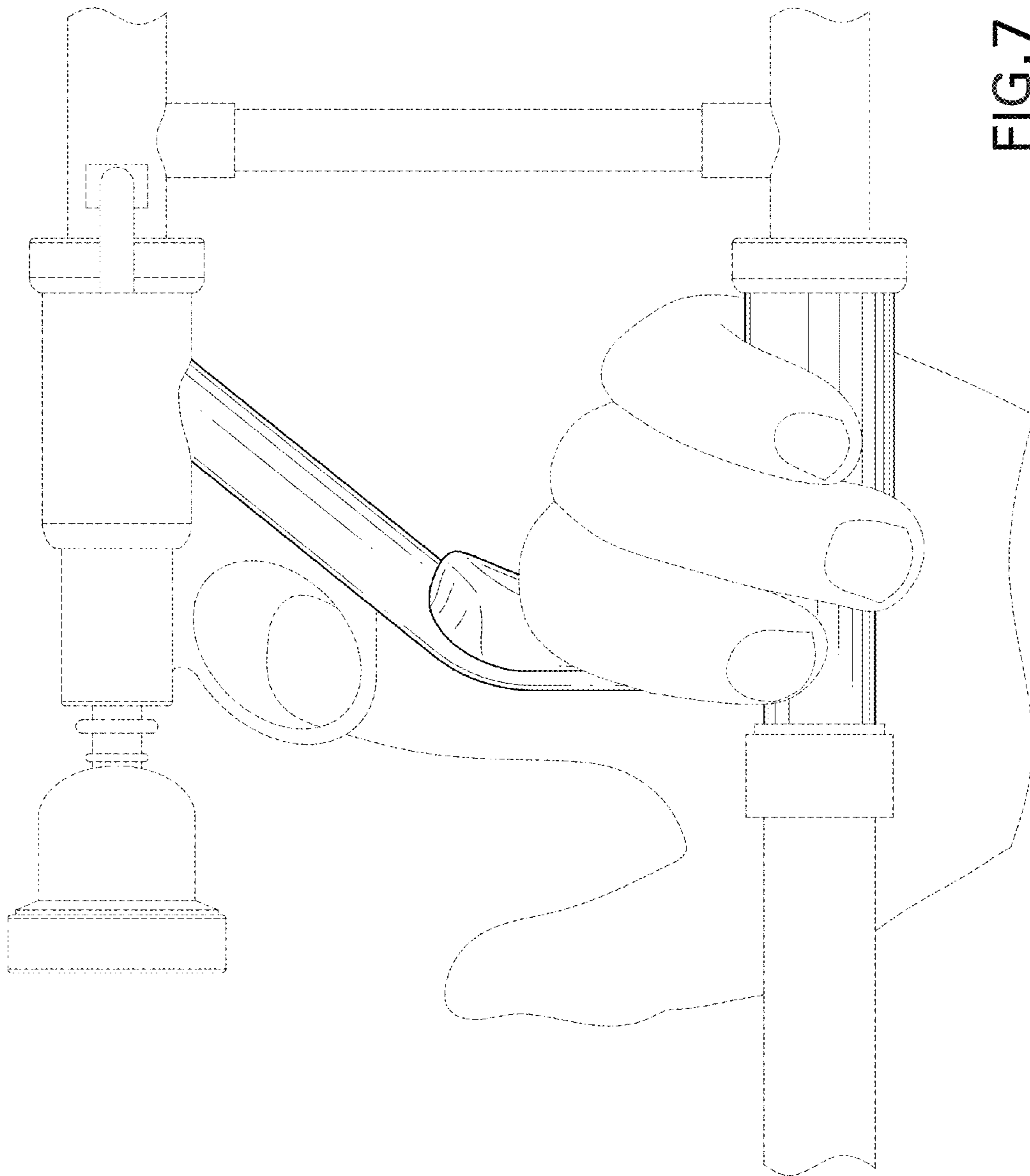


FIG. 7

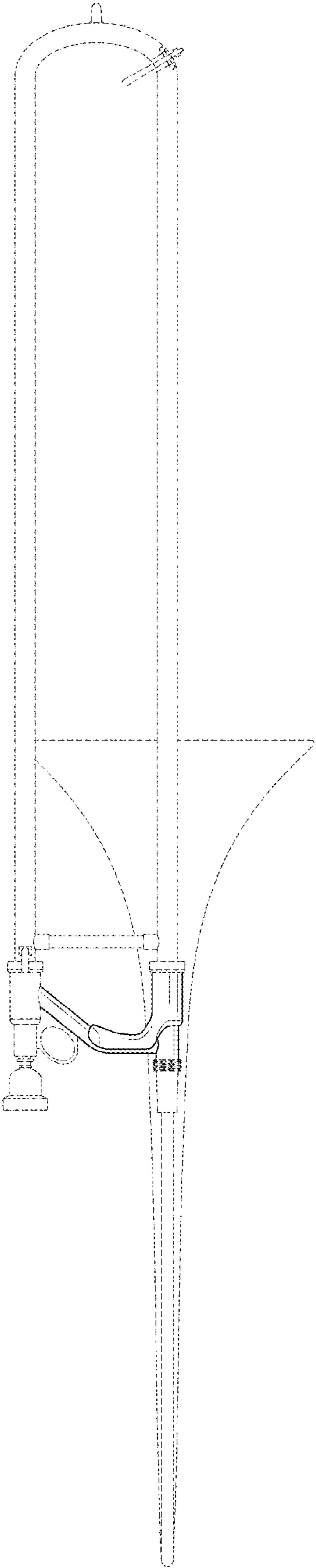


FIG. 8