



US00D753210S

(12) **United States Design Patent**
Gorsuch et al.

(10) **Patent No.:** **US D753,210 S**
(45) **Date of Patent:** **** Apr. 5, 2016**

(54) **CAMERA MOUNT**

(71) Applicant: **Wisconsin Archery Products LLC**,
Mukwonago, WI (US)
(72) Inventors: **Timothy M. Gorsuch**, Mukwonago, WI
(US); **Steven K. Hansen**, Port
Washington, WI (US); **Gregg R. Matter**,
Sussex, WI (US)
(73) Assignee: **Wisconsin Archery Products LLC**,
Mukwonago, WI (US)

(**) Term: **14 Years**
(21) Appl. No.: **29/524,772**
(22) Filed: **Apr. 23, 2015**

Related U.S. Application Data

(63) Continuation-in-part of application No. 29/480,885,
filed on Jan. 30, 2014, now Pat. No. Des. 729,863.
(51) **LOC (10) Cl.** **16-05**
(52) **U.S. Cl.**
USPC **D16/242**
(58) **Field of Classification Search**
USPC D16/134, 136, 208, 213–219, 235,
D16/237–245, 250; D14/203.4, 218, 224,
D14/250–253, 345, 440, 449; D8/22, 23,
D8/56, 60, 106, 363, 373, 394; D22/107,
D22/108
CPC G03B 17/02–17/04; G03B 17/14;
G03B 17/56; G03B 17/561–17/568; G03B
21/20–21/2066; G03B 15/041–15/0436;
G02B 7/02–7/04; G02B 7/14; H04N
5/2251–5/2554; F16M 11/02; F16M 11/20;
F16M 11/40
See application file for complete search history.

(56) **References Cited**

U.S. PATENT DOCUMENTS

584,871 A	6/1897	Gordon	
1,582,381 A	4/1926	Citero	
D140,011 S	1/1945	Creedon	
2,375,214 A	5/1945	Creedon	
D144,840 S	5/1946	Creedon	
3,136,519 A	6/1964	Spriggle	
3,185,422 A	5/1965	Spindler	
3,601,598 A *	8/1971	Horn F21V 21/26 248/278.1

(Continued)

OTHER PUBLICATIONS

Slate River LLC Camera Mounts Product List, www.slateriverllc.com/camera_mounts.html, printed Mar. 5, 2014.
(Continued)

Primary Examiner — Susan Bennett Hattan

Assistant Examiner — Vy Koenig

(74) *Attorney, Agent, or Firm* — Ryan Kromholz & Manion,
S.C.

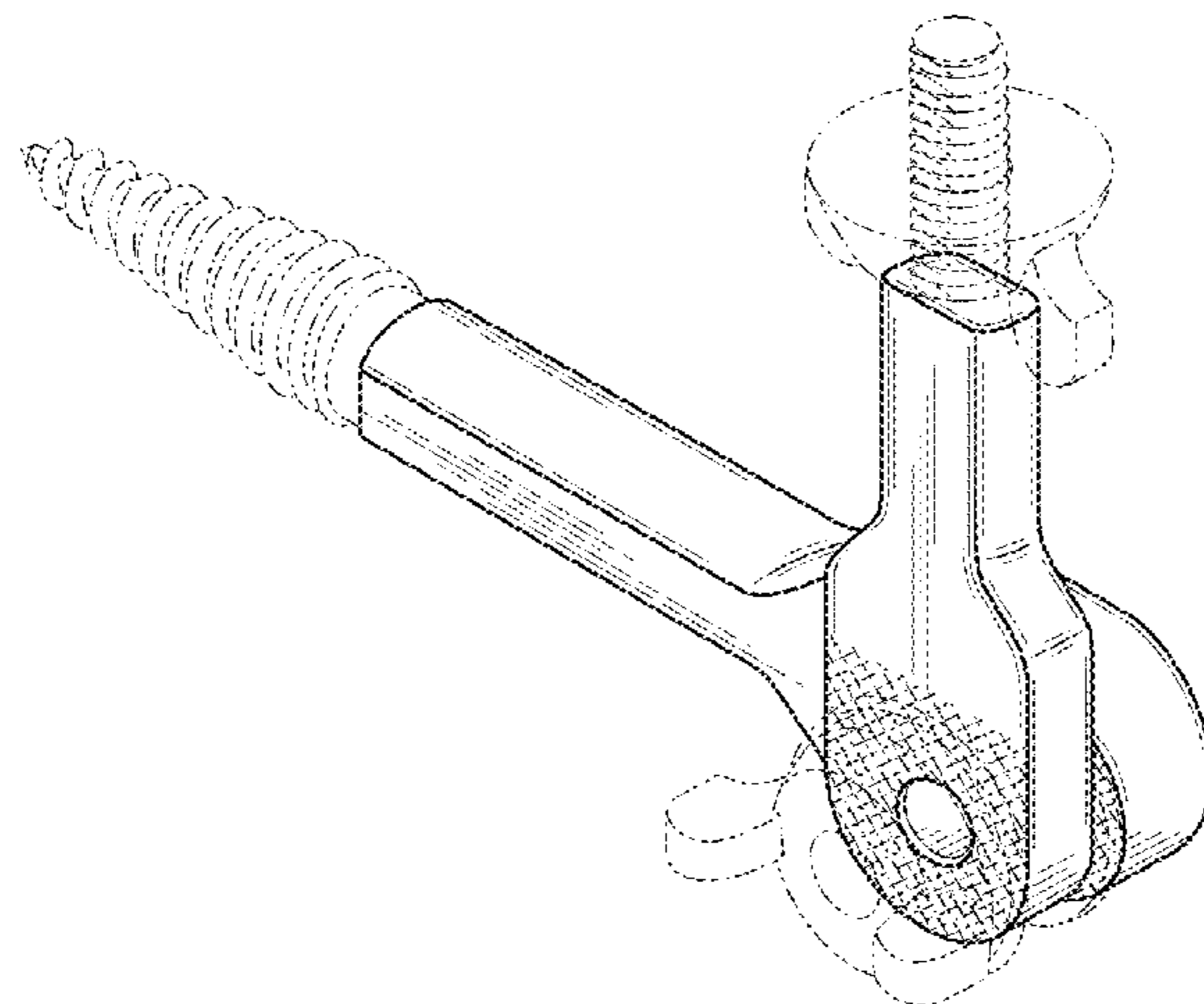
(57) **CLAIM**

The ornamental design for a camera mount, as shown and described.

DESCRIPTION

FIG. 1 is a top perspective view of a camera mount;
FIG. 2 is a bottom view of the camera mount;
FIG. 3 is a top view of the camera mount;
FIG. 4 is a first side view of the camera mount;
FIG. 5 is a second side view of the camera mount;
FIG. 6 is a front side view of the camera mount; and,
FIG. 7 is a rear side view of the camera mount.
The purpose of broken lines in the drawing are environmental structure that form no part of the design to be patented.

1 Claim, 2 Drawing Sheets



(56)

References Cited

U.S. PATENT DOCUMENTS

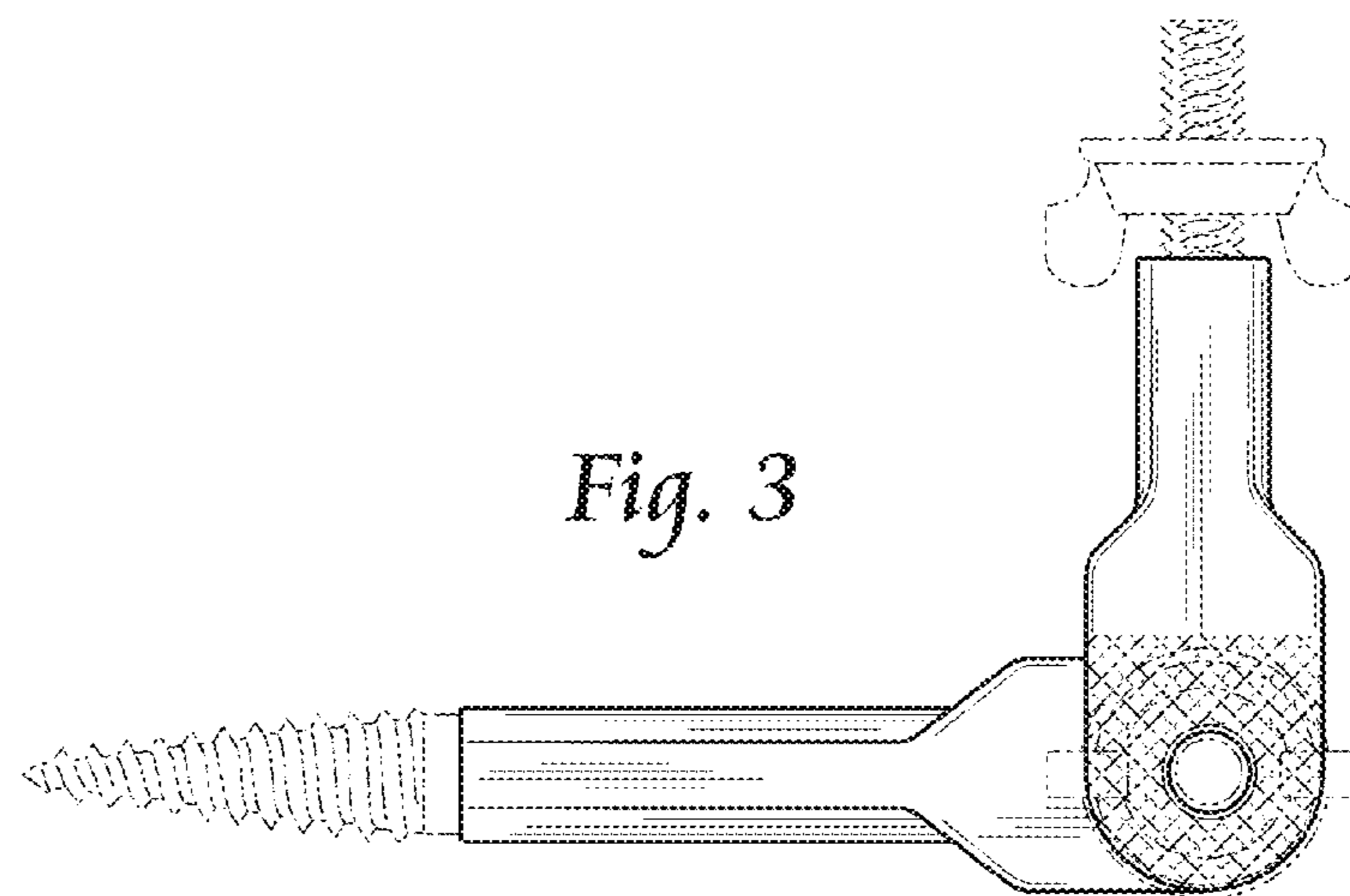
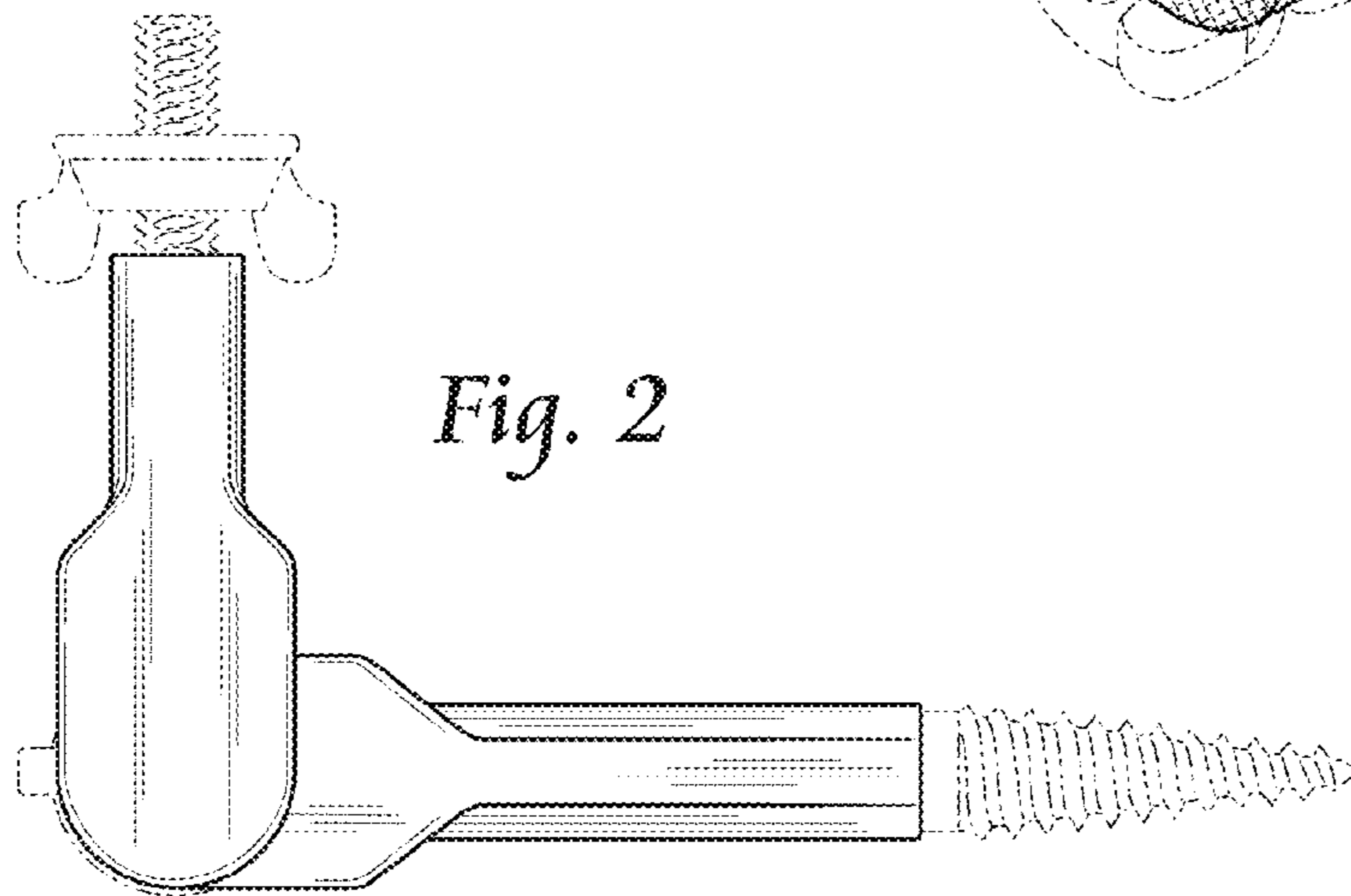
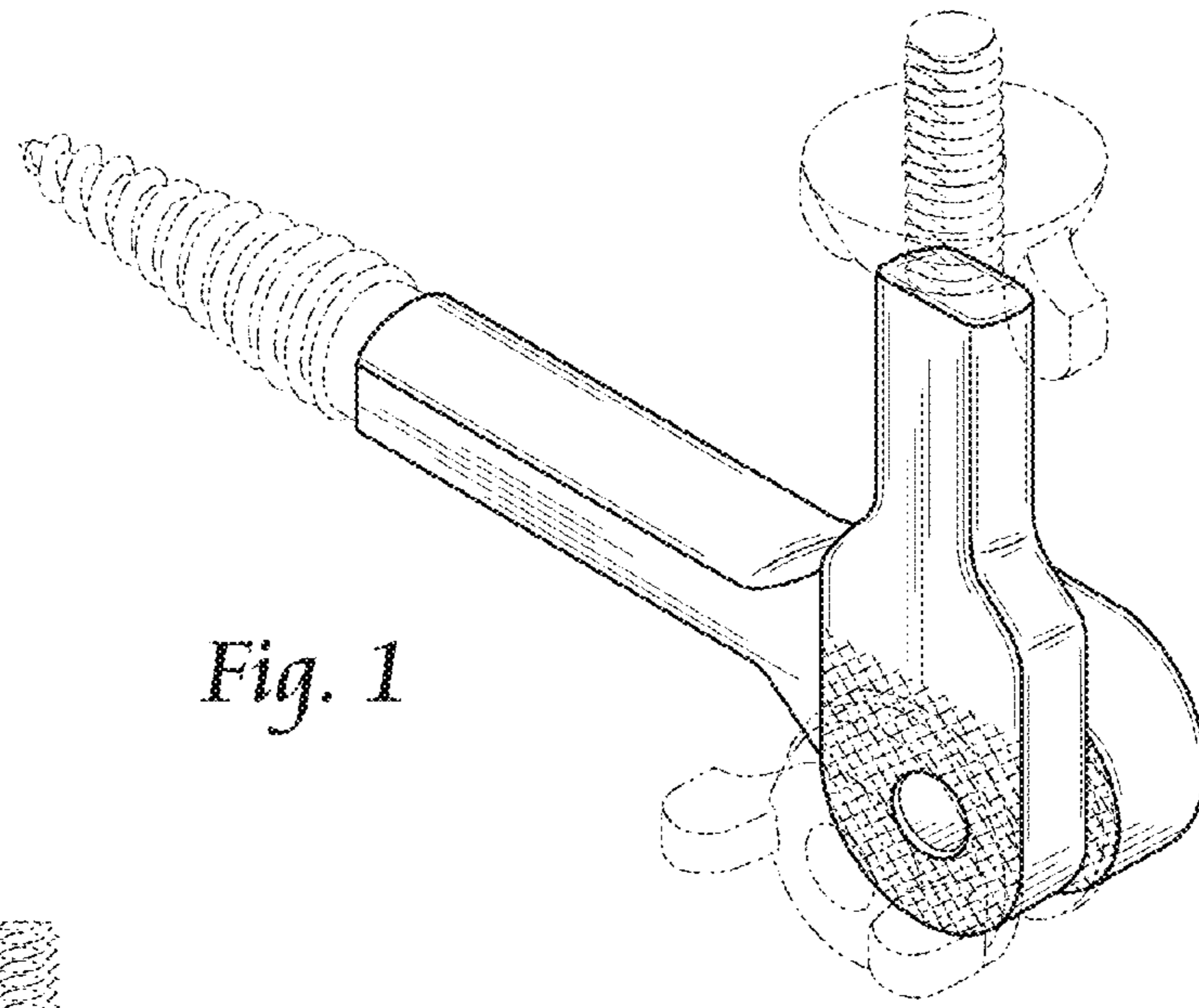
3,776,498 A 12/1973 Peters et al.
 D253,165 S * 10/1979 Scott D8/354
 4,290,219 A 9/1981 Boller et al.
 4,296,725 A 10/1981 Broderick
 4,470,106 A 9/1984 Norton
 4,542,873 A 9/1985 Matherly et al.
 4,617,741 A 10/1986 Bordeaux et al.
 4,708,221 A 11/1987 Kubiak
 4,722,501 A 2/1988 Ruhl
 4,729,363 A 3/1988 Skyba
 4,744,537 A 5/1988 Buckley
 4,753,528 A 6/1988 Hines et al.
 4,894,921 A 1/1990 Barlow
 5,092,552 A 3/1992 Dayton et al.
 5,263,675 A 11/1993 Roberts et al.
 5,310,150 A 5/1994 Fecko
 5,310,151 A 5/1994 Engel
 D348,215 S 6/1994 Melhorn
 D356,640 S * 3/1995 Nordstrom D24/176
 5,442,861 A 8/1995 Lorocco
 5,479,712 A 1/1996 Hargrove et al.
 5,482,241 A 1/1996 Oglesby
 5,484,253 A 1/1996 Johnson
 5,518,083 A 5/1996 Blennert
 5,612,779 A 3/1997 Dunne
 5,619,981 A 4/1997 Breedlove
 5,634,278 A 6/1997 London
 5,652,651 A 7/1997 Dunne
 5,685,103 A 11/1997 Wiggins
 5,692,716 A 12/1997 Himmelsbach
 5,727,760 A 3/1998 Wytovak et al.
 5,769,372 A 6/1998 Klosterman
 5,806,508 A 9/1998 Stempien et al.
 5,857,651 A 1/1999 Kunevicius
 5,926,260 A 7/1999 Dunne et al.
 6,059,240 A 5/2000 Gorsuch
 6,073,352 A 6/2000 Zykan et al.
 6,154,971 A 12/2000 Perkins
 6,191,574 B1 2/2001 Dilger
 6,397,483 B1 6/2002 Perkins
 D462,893 S * 9/2002 Sung D8/373
 6,445,444 B2 9/2002 Dunne
 6,478,272 B1 11/2002 McKinsey et al.
 6,484,888 B2 * 11/2002 Miller B62H 3/12
 211/5
 6,526,956 B1 3/2003 Hankins
 6,663,065 B1 12/2003 Whittenburg
 6,948,690 B1 9/2005 Sandel
 6,952,881 B2 10/2005 McGivern
 7,162,806 B1 1/2007 Swiggart
 7,296,358 B1 11/2007 Murphy et al.

7,313,871 B2 1/2008 Lines et al.
 7,513,050 B2 4/2009 Kroening, Jr.
 7,614,156 B1 11/2009 Imig
 7,832,696 B2 11/2010 Goodman
 7,861,987 B2 1/2011 Gorsuch et al.
 8,016,134 B1 9/2011 Templin et al.
 8,065,807 B2 11/2011 Rucinski
 8,081,298 B1 12/2011 Cross
 D652,287 S 1/2012 Woller
 8,100,044 B1 1/2012 Teetzel et al.
 8,201,571 B1 6/2012 Smith
 8,231,095 B2 7/2012 Bean
 8,316,551 B2 11/2012 Gorsuch et al.
 8,511,433 B2 8/2013 Place
 8,561,952 B2 10/2013 Pfeiler
 8,607,497 B2 12/2013 Green
 D729,302 S * 5/2015 Reese D16/242
 D729,863 S * 5/2015 Gorsuch D16/242
 2003/0038218 A1 2/2003 Eppard et al.
 2005/0021282 A1 1/2005 Sammut et al.
 2005/0229468 A1 10/2005 Zaderey et al.
 2006/0231707 A1 10/2006 Schrot
 2006/0272194 A1 12/2006 Guettner
 2007/0068018 A1 3/2007 Gilmore
 2007/0137088 A1 6/2007 Peters et al.
 2007/0234626 A1 10/2007 Murdock et al.
 2007/0277421 A1 12/2007 Perkins et al.
 2008/0039962 A1 2/2008 McRae
 2008/0107414 A1 5/2008 Showalter
 2009/0078500 A1 3/2009 Wydner et al.
 2009/0205239 A1 8/2009 Smith, III
 2009/0321186 A1 12/2009 Louchart
 2011/0296699 A1 12/2011 Maisonneuve et al.
 2012/0046100 A1 2/2012 Román et al.

OTHER PUBLICATIONS

EZ-Aim Game Camera Mount, www.slateriverllc.myshopify.com,
 printed Mar. 5, 2014.
 EZ-Aim Ratchet Strap Game Camera Mount, www.slateriverllc.myshopify.com,
 printed Mar. 5, 2014.
 EZ-Aim T Post Game Camera Mount, www.slateriverllc.myshopify.com,
 printed Mar. 5, 2014.
 EZ-Aim Stick on Adaptor, www.slateriverllc.myshopify.com,
 printed Mar. 5, 2014.
 Camera Arm with T Handle Mount, www.slateriverllc.myshopify.com,
 printed Mar. 5, 2014.
 Camera Arm with Bear Claw Mount, www.slateriverllc.myshopify.com,
 printed Mar. 5, 2014.
 Screw in T Handle Mount, www.slateriverllc.myshopify.com,
 printed Mar. 5, 2014.

* cited by examiner



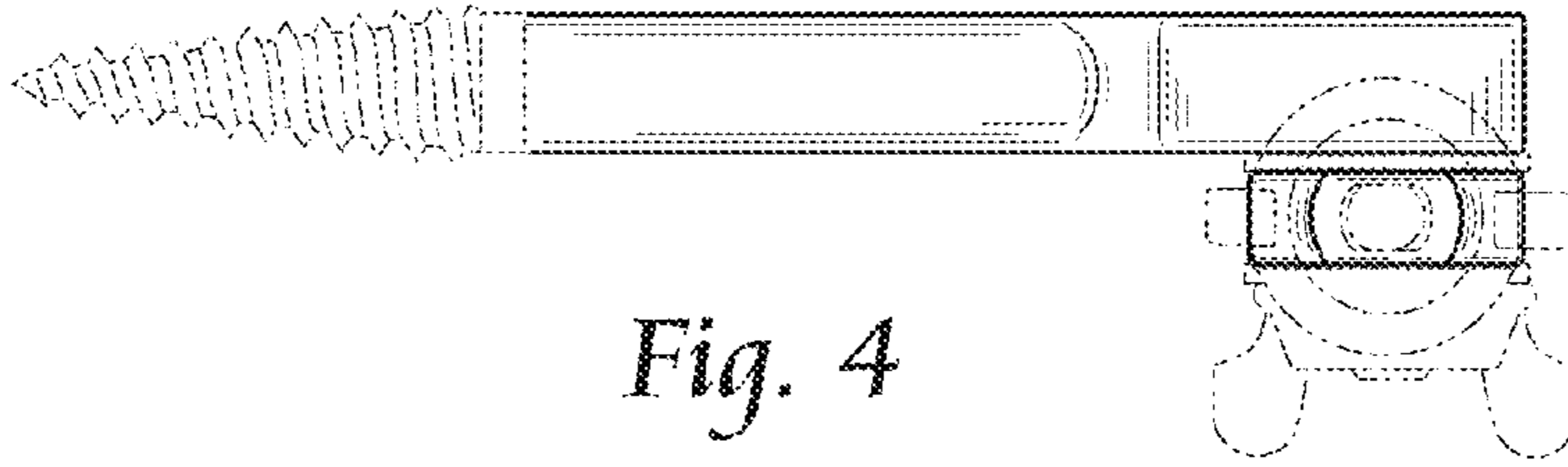


Fig. 4

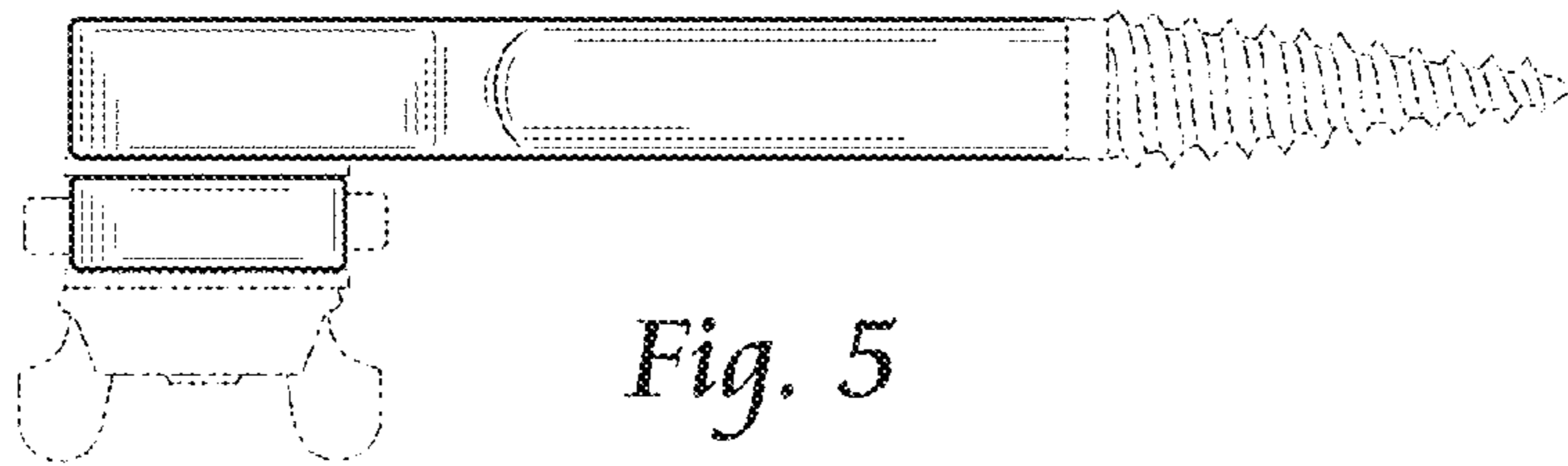


Fig. 5

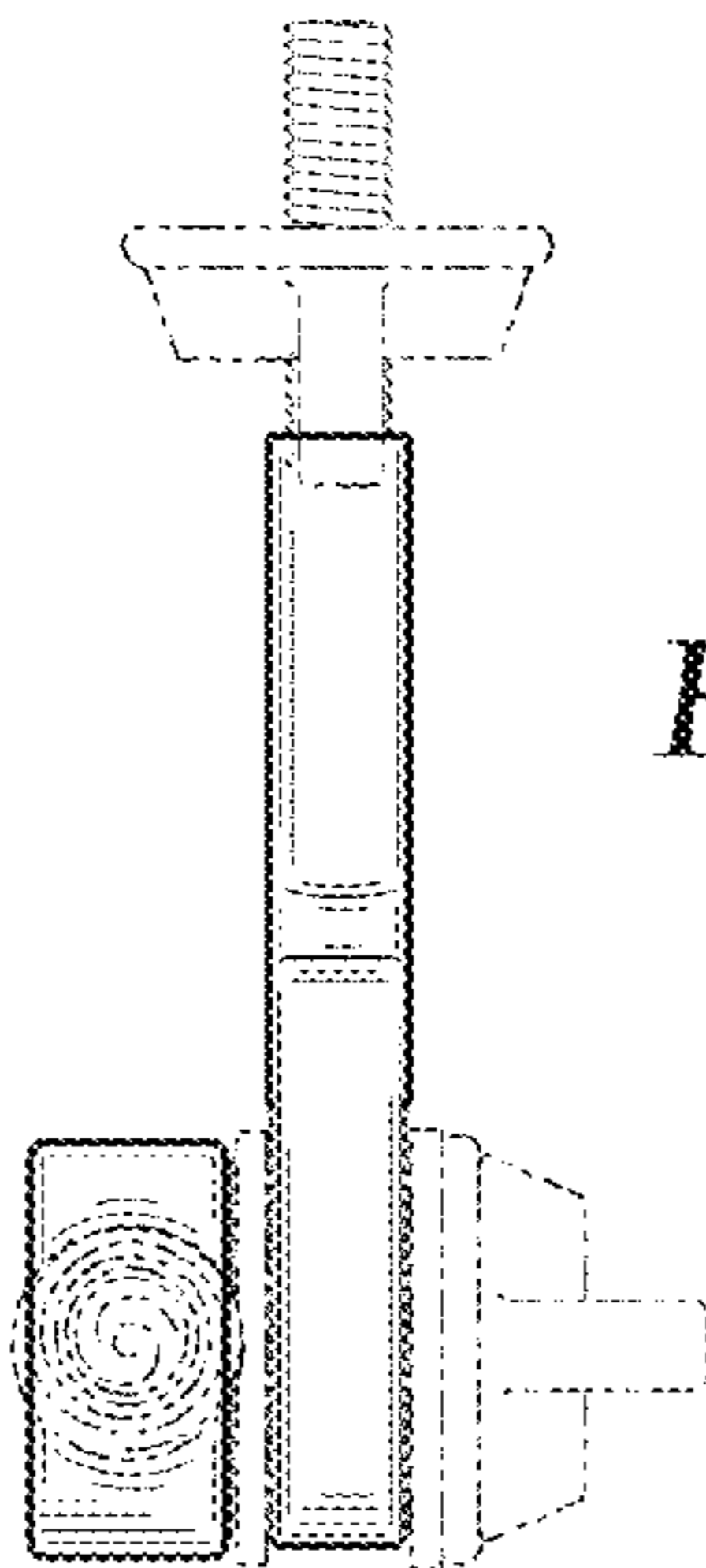


Fig. 6

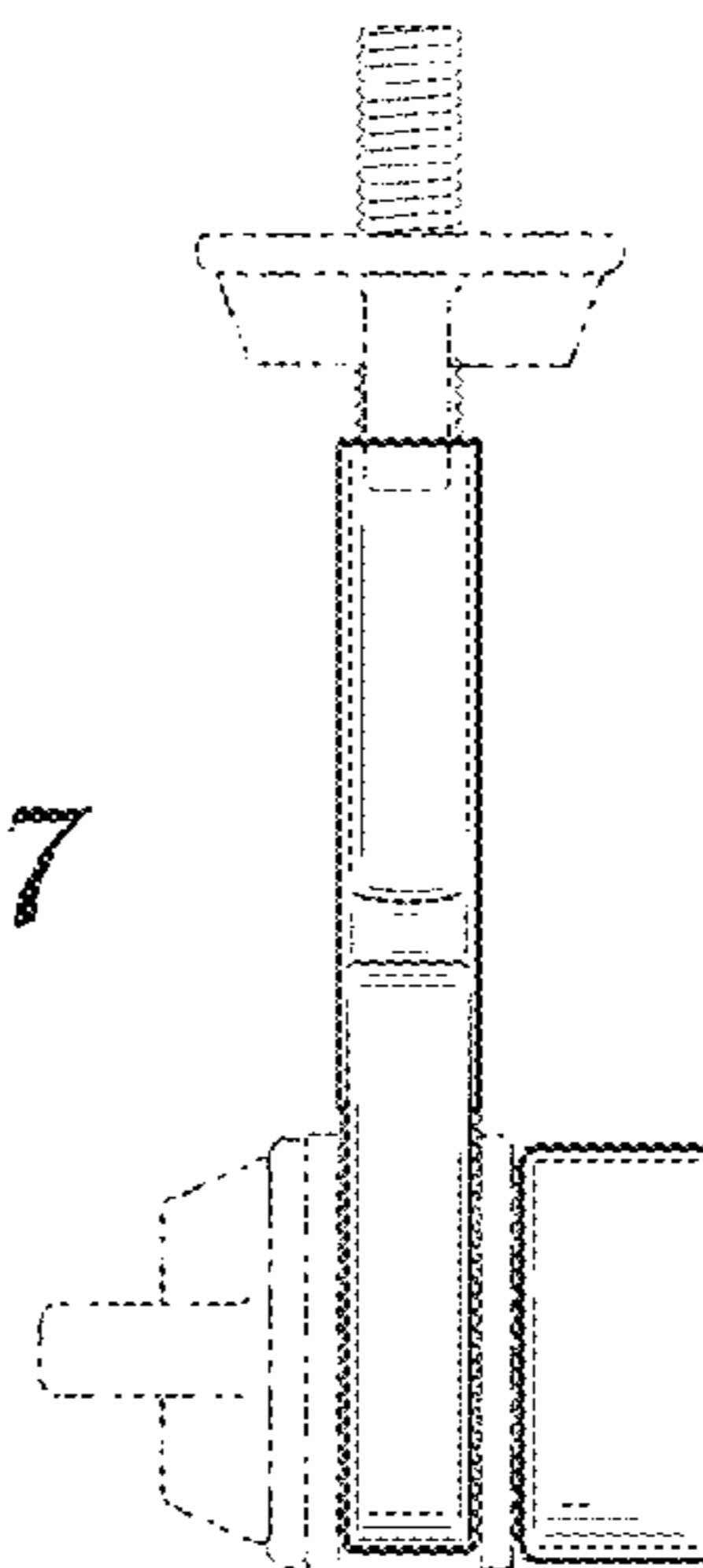


Fig. 7