



US00D753209S

(12) **United States Design Patent**  
**Zetsu et al.**

(10) **Patent No.:** **US D753,209 S**  
(45) **Date of Patent:** **\*\* Apr. 5, 2016**

(54) **PROJECTOR EQUIPPED WITH A CAMERA**

(56) **References Cited**

(71) Applicant: **FUJITSU LIMITED**, Kawasaki-shi,  
Kanagawa (JP)

U.S. PATENT DOCUMENTS

(72) Inventors: **Yuki Zetsu**, Yokohama (JP); **Kohhei Nakajima**, Tokyo (JP)

5,978,028	A *	11/1999	Yamane	.....	348/373
7,824,039	B2 *	11/2010	Takito et al.	.....	353/119
8,002,419	B2 *	8/2011	Amano et al.	.....	353/119
D686,268	S *	7/2013	Dunn	.....	D16/232
D717,855	S *	11/2014	Hong	.....	D16/232
D719,602	S *	12/2014	Tada	.....	D16/225

(73) Assignee: **FUJITSU LIMITED**, Kawasaki (JP)

\* cited by examiner

(\*\*) Term: **14 Years**

*Primary Examiner* — Wan Laymon

(21) Appl. No.: **29/508,370**

(74) *Attorney, Agent, or Firm* — Staas & Halsey LLP

(22) Filed: **Nov. 5, 2014**

(57) **CLAIM**

The ornamental design for a projector equipped with a camera, as shown and described.

(30) **Foreign Application Priority Data**

**DESCRIPTION**

May 8, 2014 (JP) ..... 2014-009866

(51) **LOC (10) Cl.** ..... **16-02**

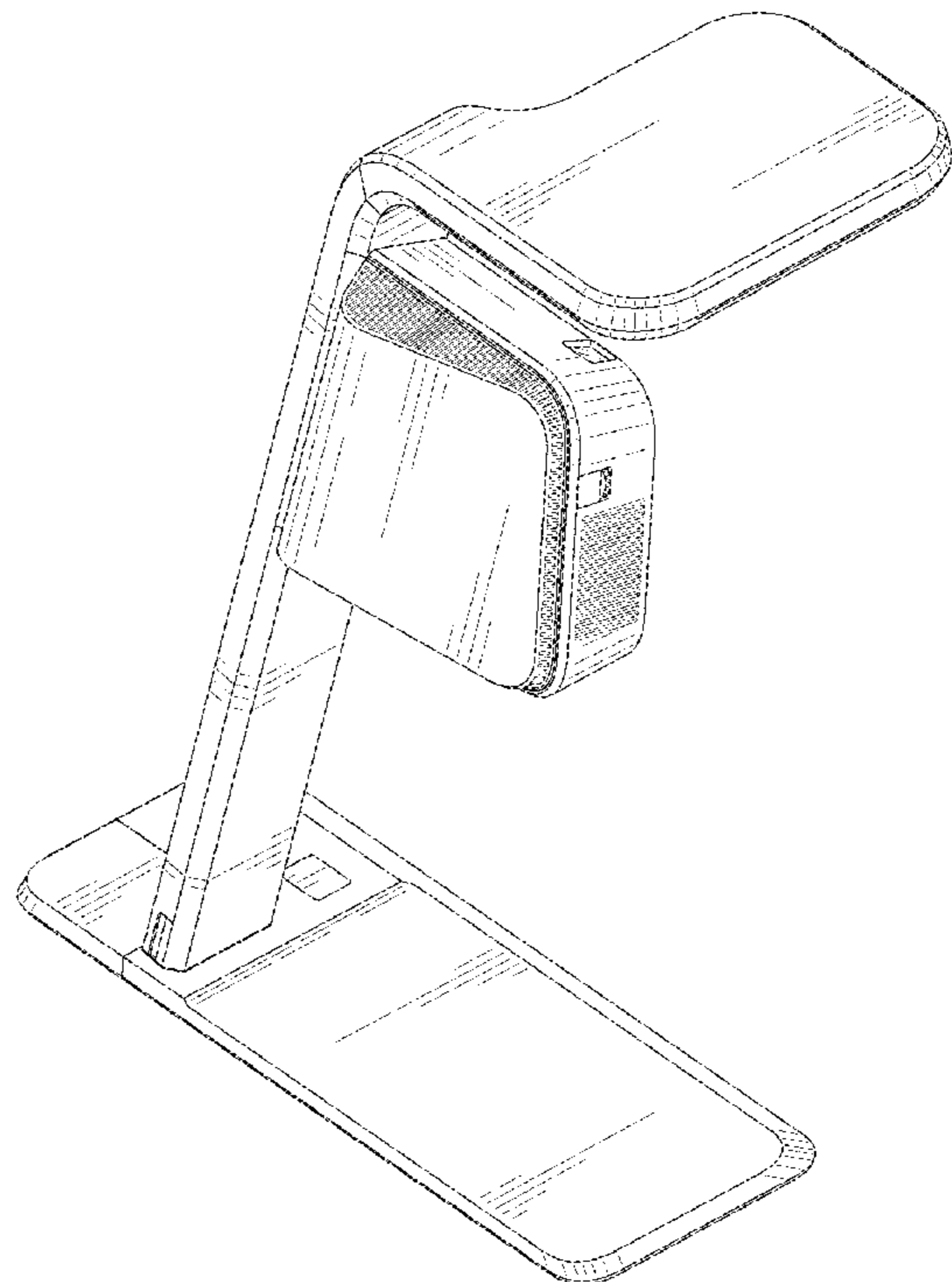
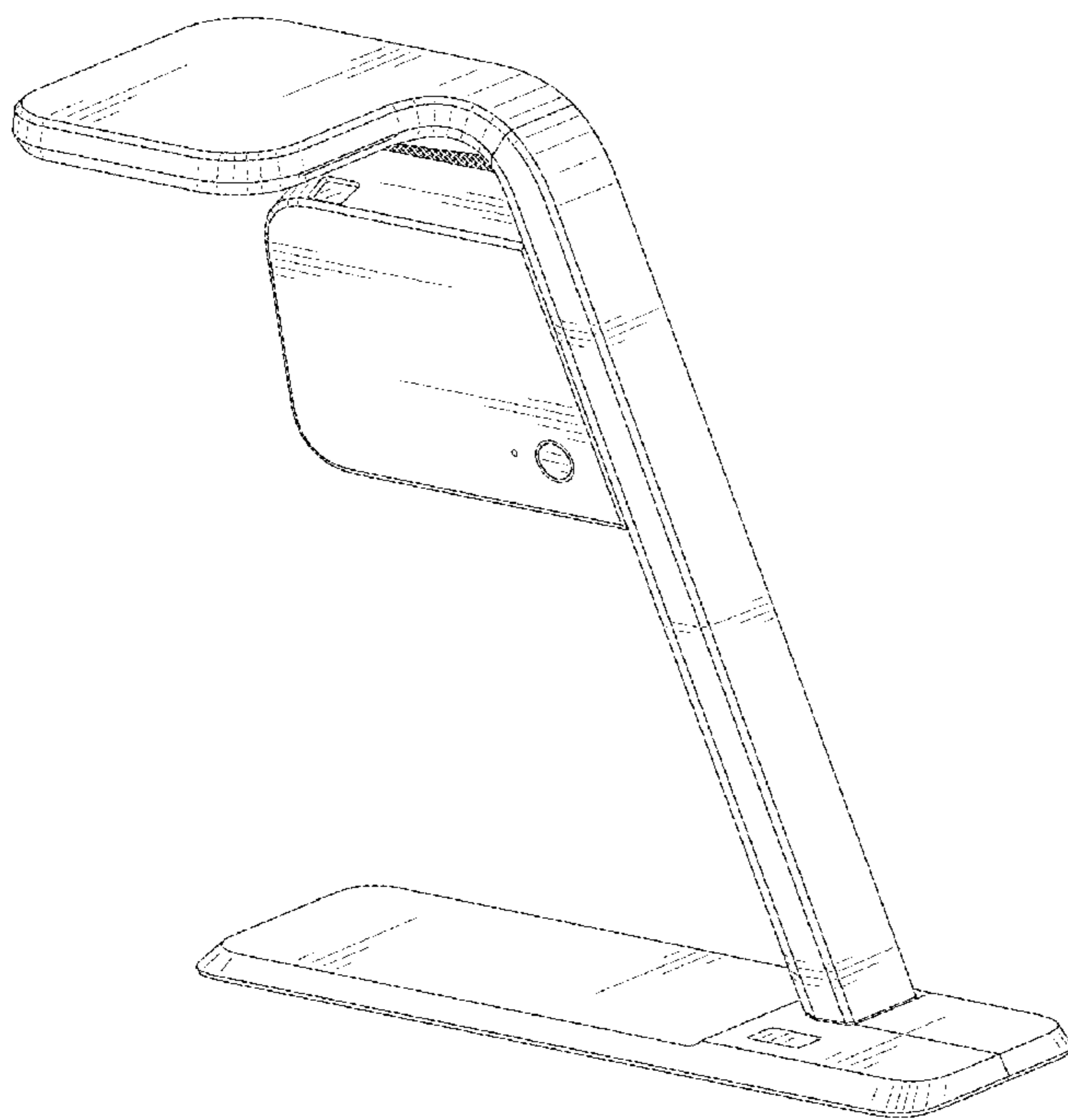
(52) **U.S. Cl.**  
USPC ..... **D16/232; D16/208**

(58) **Field of Classification Search**  
USPC ..... D16/208, 214, 221, 225, 229–232;  
348/373, 375; 353/119, 122  
CPC ..... G03B 21/28; G03B 21/00; G03B 21/10;  
G03B 21/132; G03B 21/145; G03B 29/00;  
G03B 17/54; G03B 37/04

FIG. 1 is a perspective view of front, top and right side of a projector equipped with a camera showing our new design; FIG. 2 is a perspective view of rear, top and left side thereof; FIG. 3 is a front view thereof; FIG. 4 is a rear view thereof; FIG. 5 is a left side view thereof; FIG. 6 is a right side view thereof; FIG. 7 is a top view thereof; and, FIG. 8 is a bottom view thereof. The broken lines shown in FIG. 8 represent portions of the projector equipped with camera that form no part of the claimed design.

See application file for complete search history.

**1 Claim, 8 Drawing Sheets**



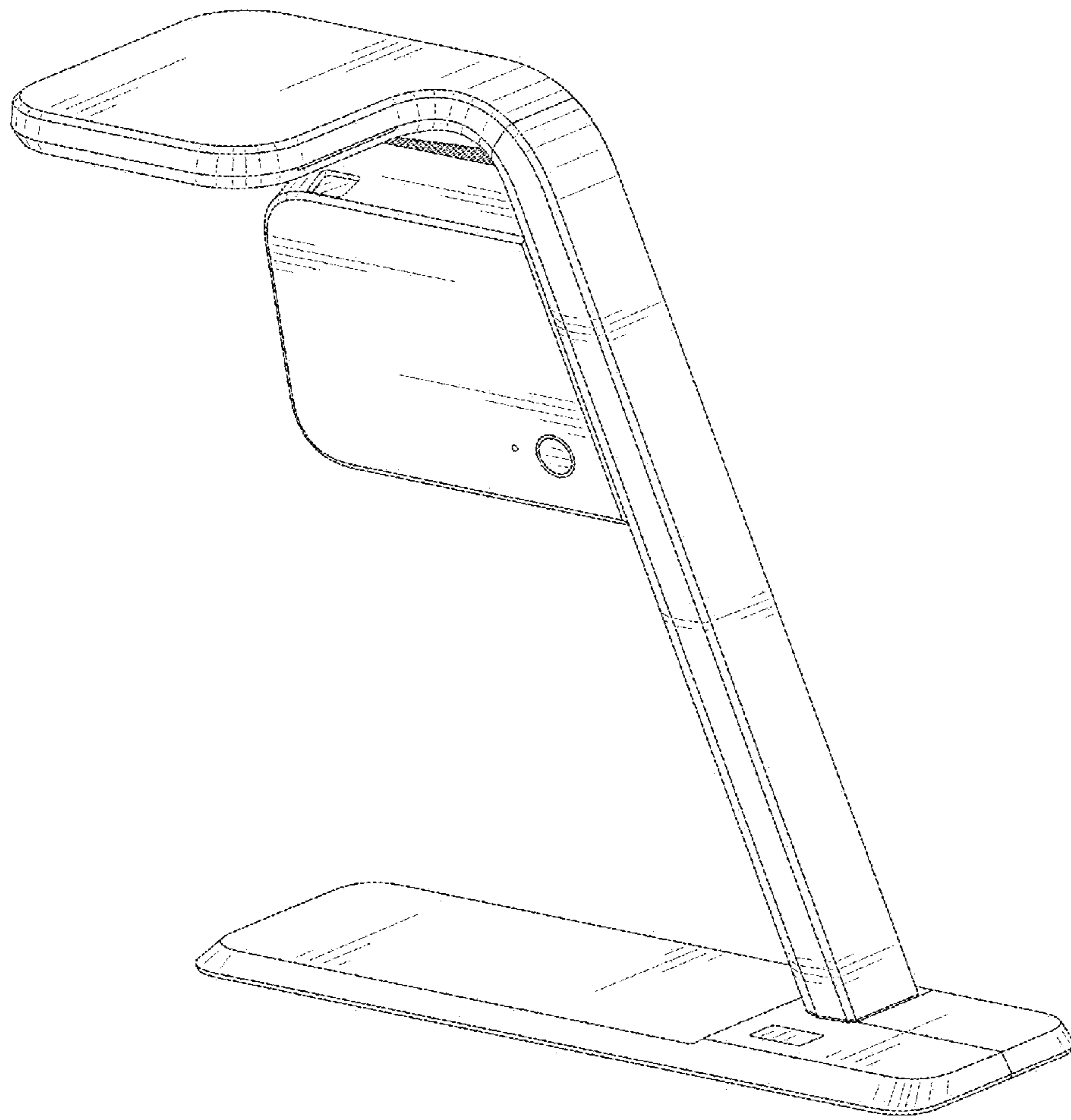


FIG. 1

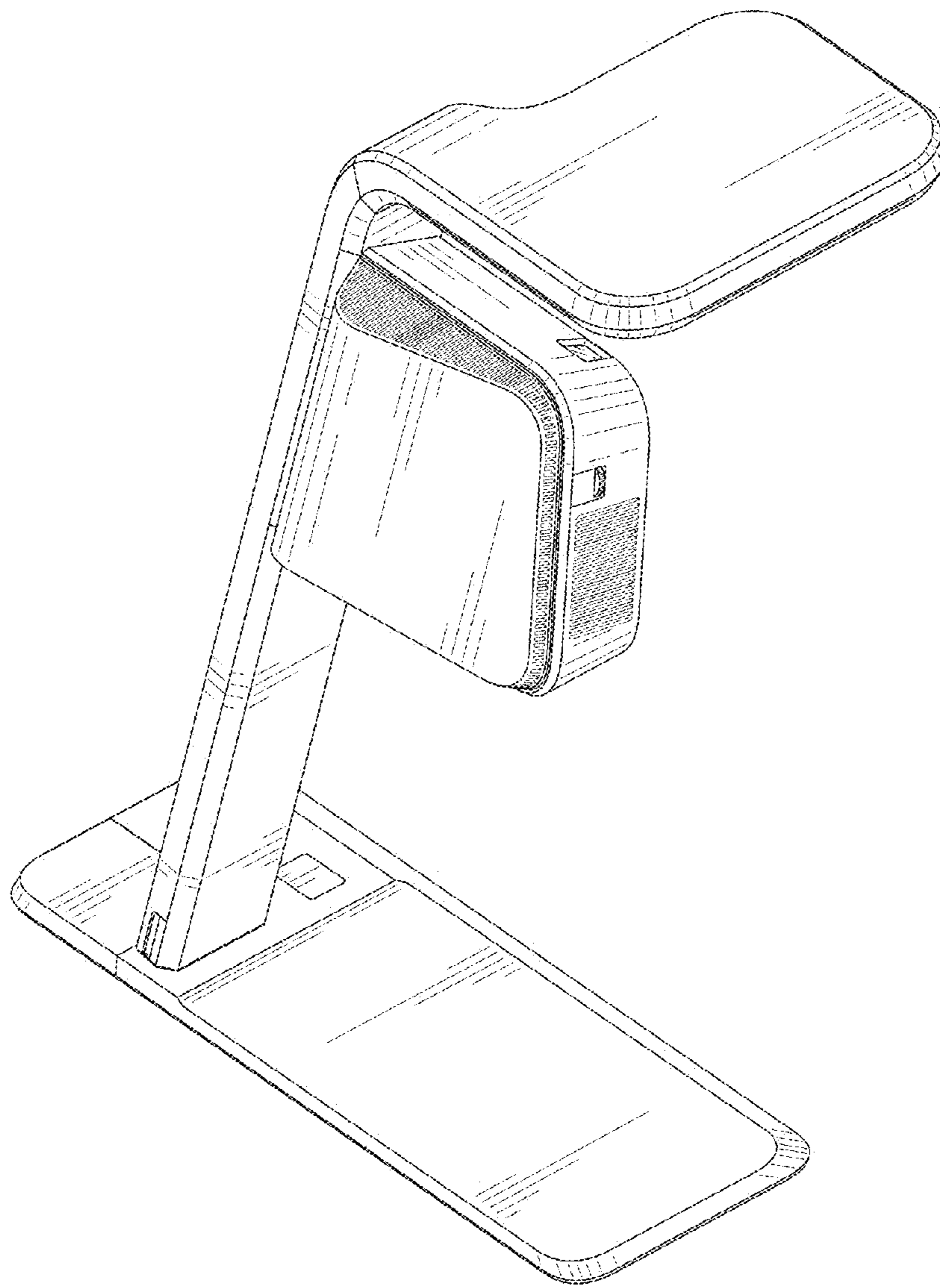


FIG. 2

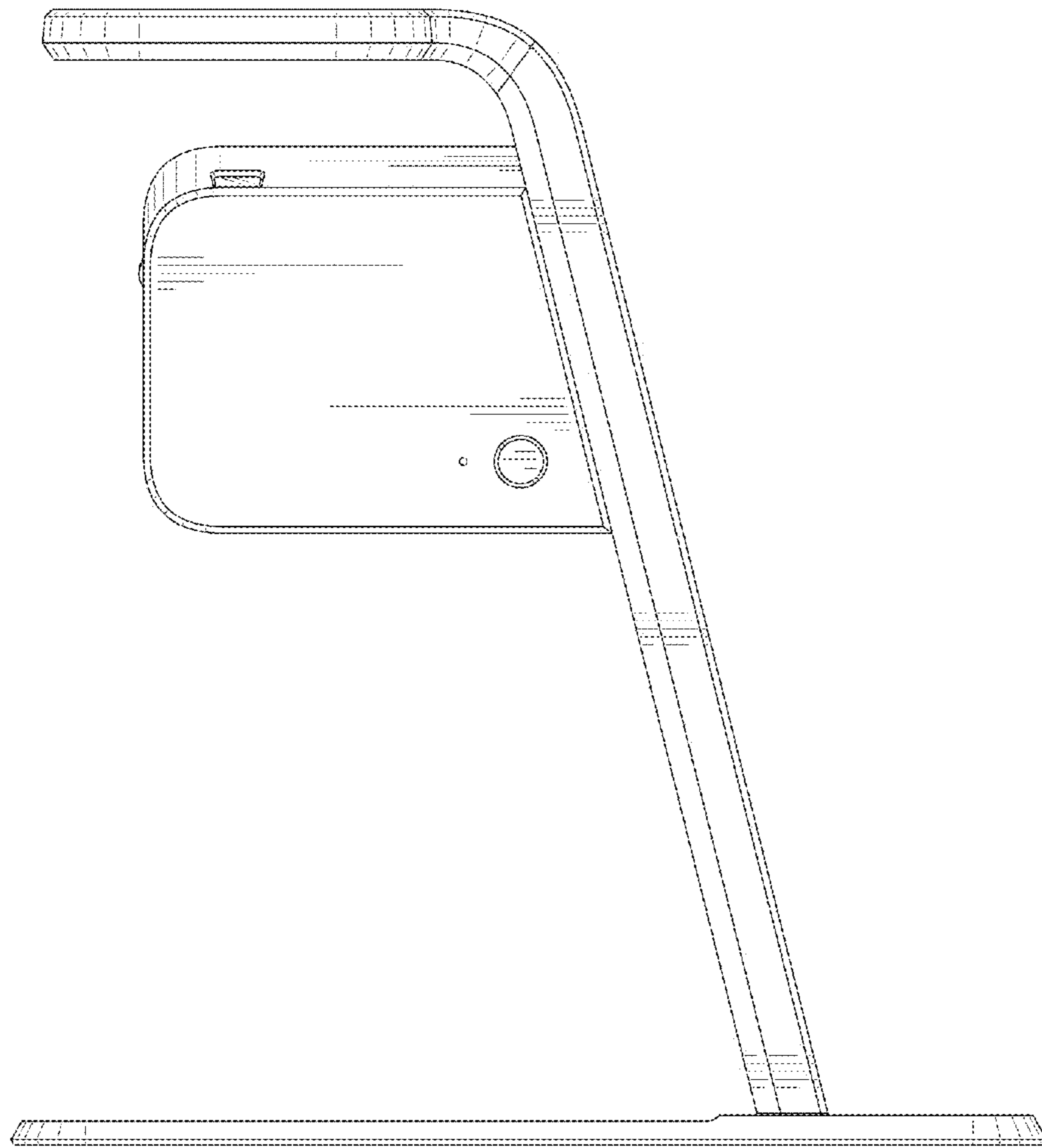


FIG. 3

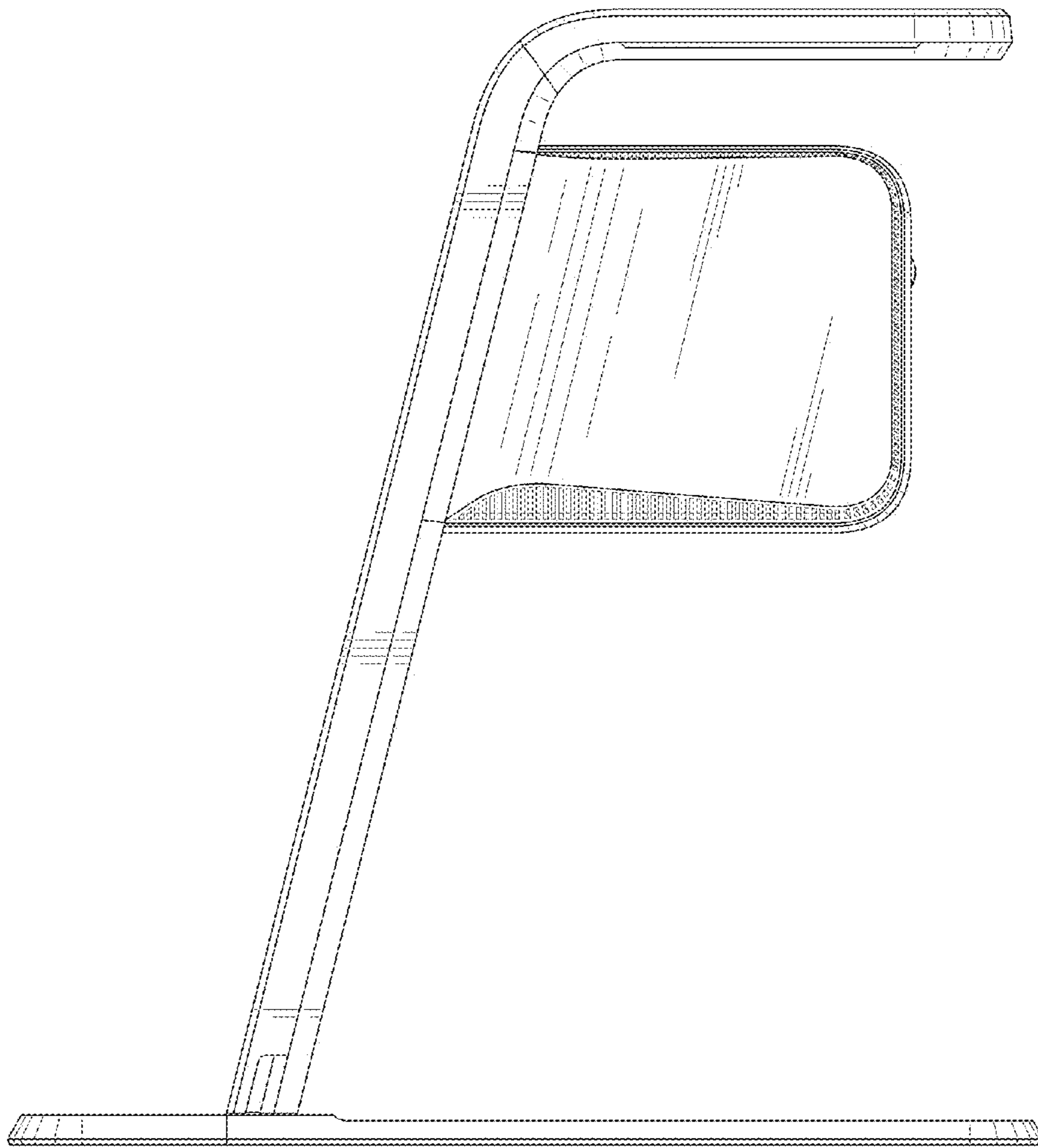


FIG. 4



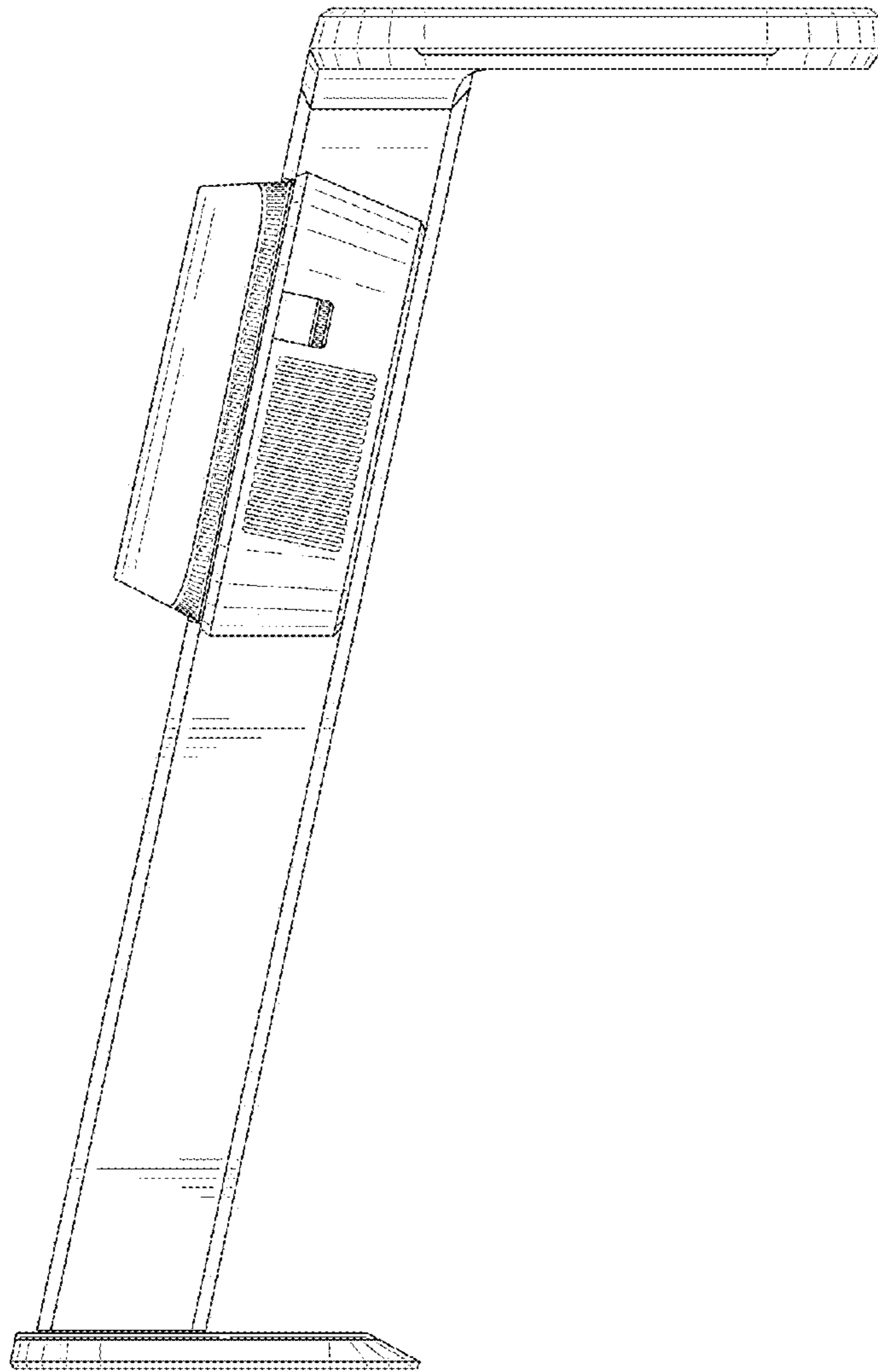


FIG. 5

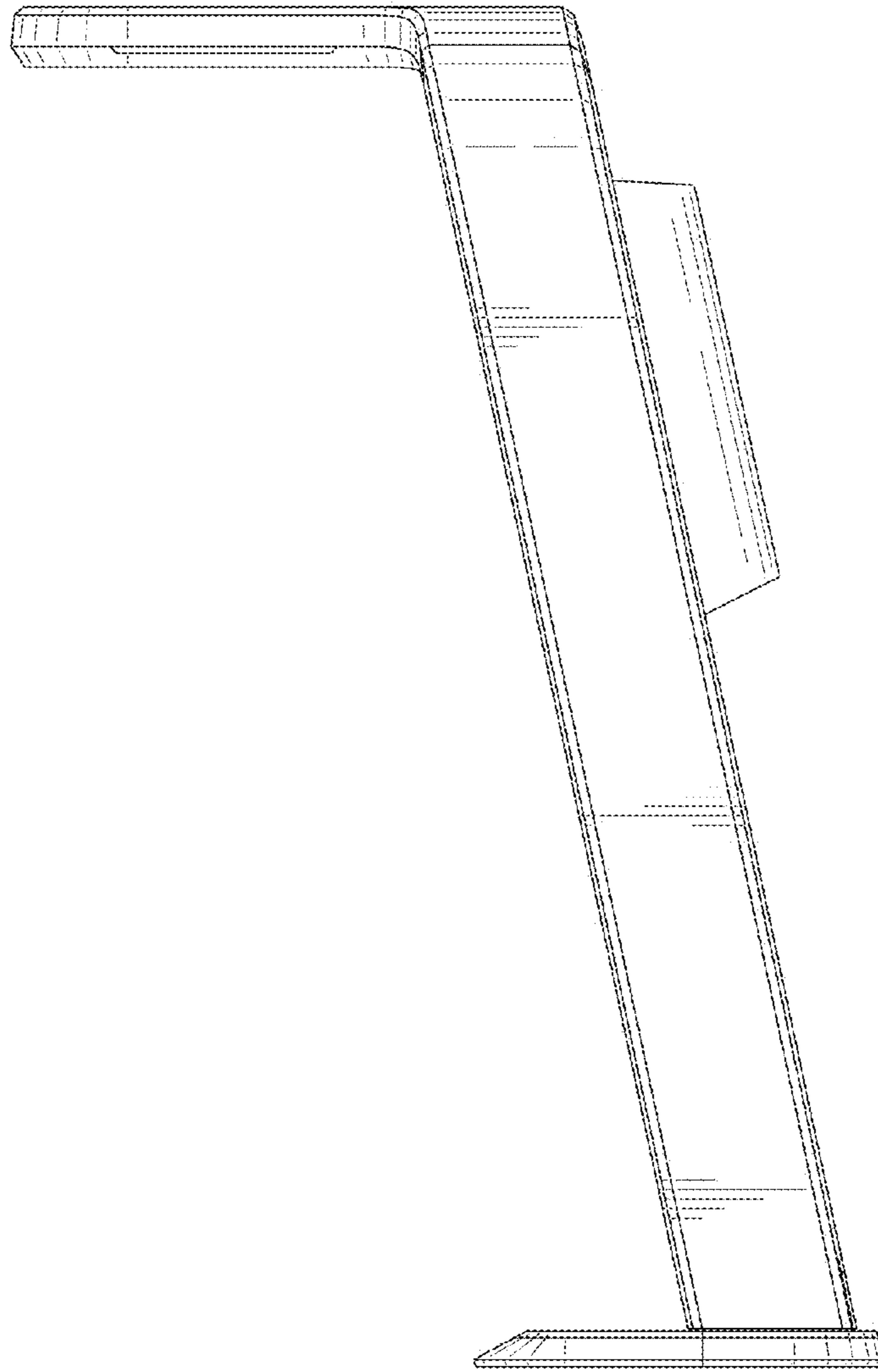


FIG. 6

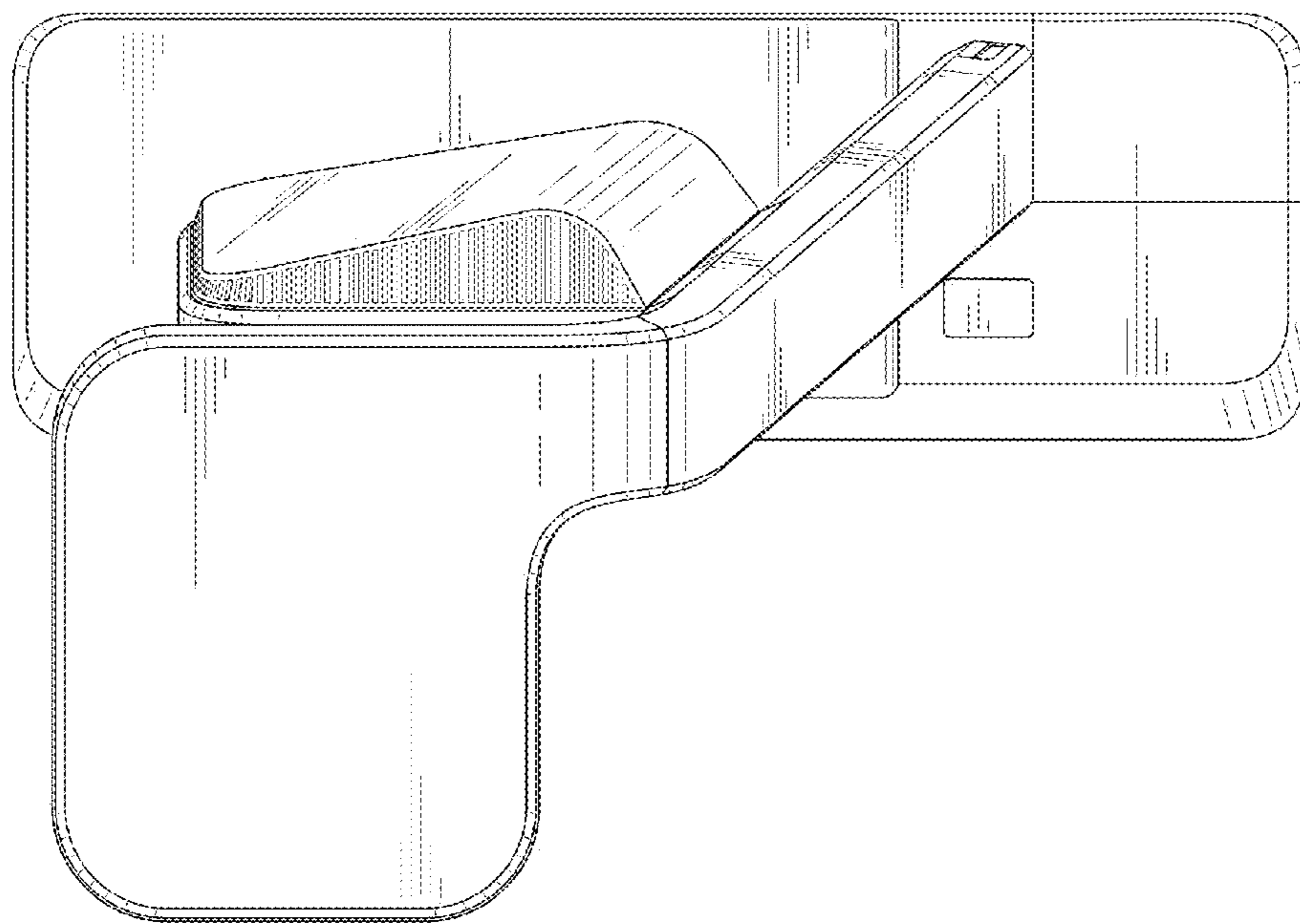


FIG. 7



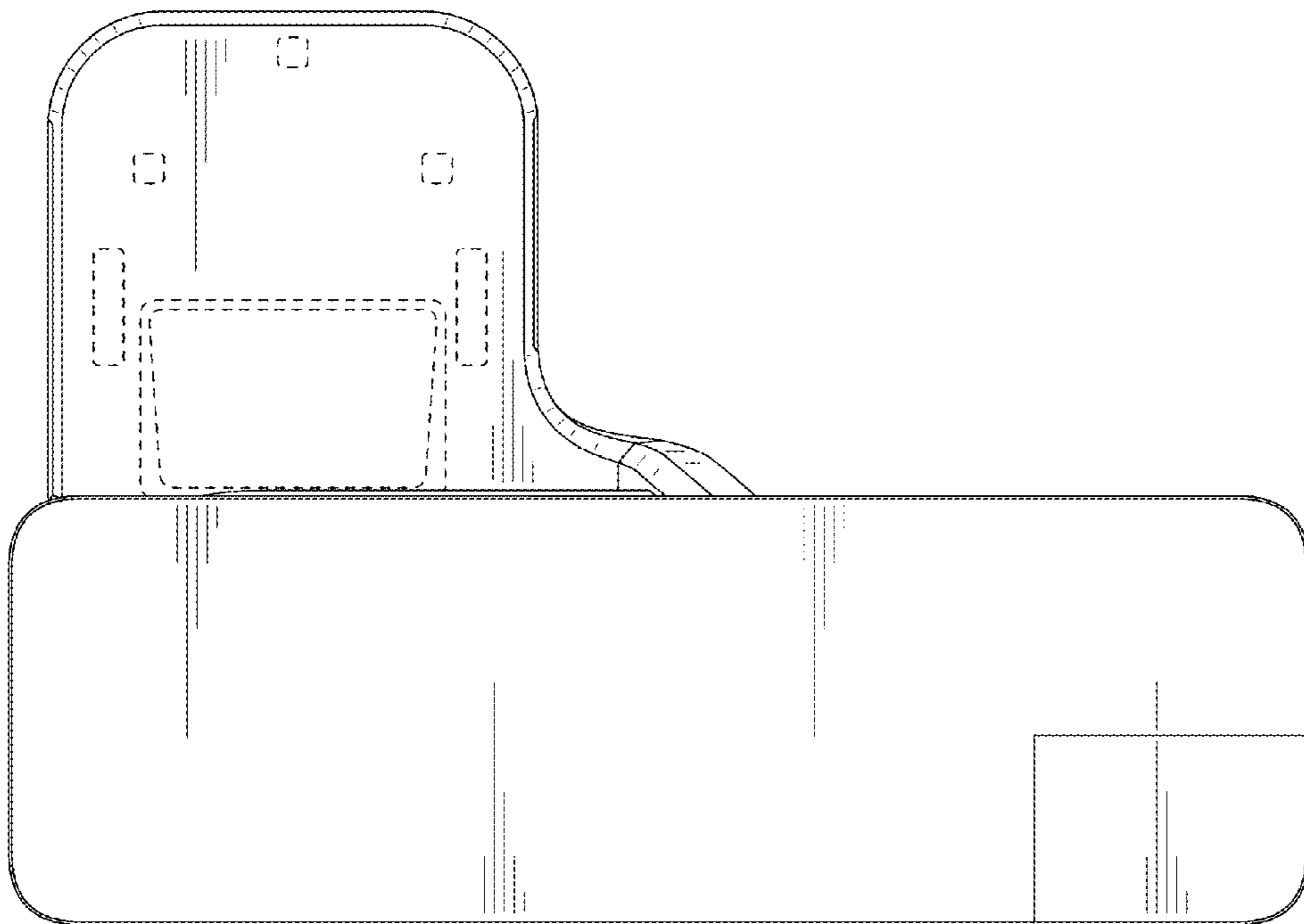


FIG. 8