



US00D753208S

(12) **United States Design Patent**
Elrod et al.

(10) **Patent No.:** **US D753,208 S**
(45) **Date of Patent:** **** Apr. 5, 2016**

- (54) **THERMAL CAMERA**
- (71) Applicant: **Fluke Corporation**, Everett, WA (US)
- (72) Inventors: **Jeffrey M. Elrod**, Seattle, WA (US);
Timothy J. Kesti, Monticello, MN (US)
- (73) Assignee: **Fluke Corporation**, Everett, WA (US)
- (**) Term: **14 Years**
- (21) Appl. No.: **29/515,854**
- (22) Filed: **Jan. 27, 2015**
- (51) **LOC (10) Cl.** **16-01**
- (52) **U.S. Cl.**
USPC **D16/208**
- (58) **Field of Classification Search**
USPC D16/200, 202, 204, 206, 208, 210, 218;
348/164, 373-374; 396/535, 539-541
CPC . H04N 5/2251; H04N 5/2252; H04N 5/2253;
H04N 5/2254
See application file for complete search history.

- 7,924,312 B2 * 4/2011 Packard G06T 7/0028
348/164
- D665,004 S * 8/2012 Lofgren D16/206
- D711,956 S * 8/2014 Adams D16/208
- D713,439 S * 9/2014 Zhang D16/208
- D718,801 S * 12/2014 Zetterlund D16/218

* cited by examiner

Primary Examiner — Adir Aronovich

(74) *Attorney, Agent, or Firm* — Fredrikson & Byron, P.A.

(57) **CLAIM**

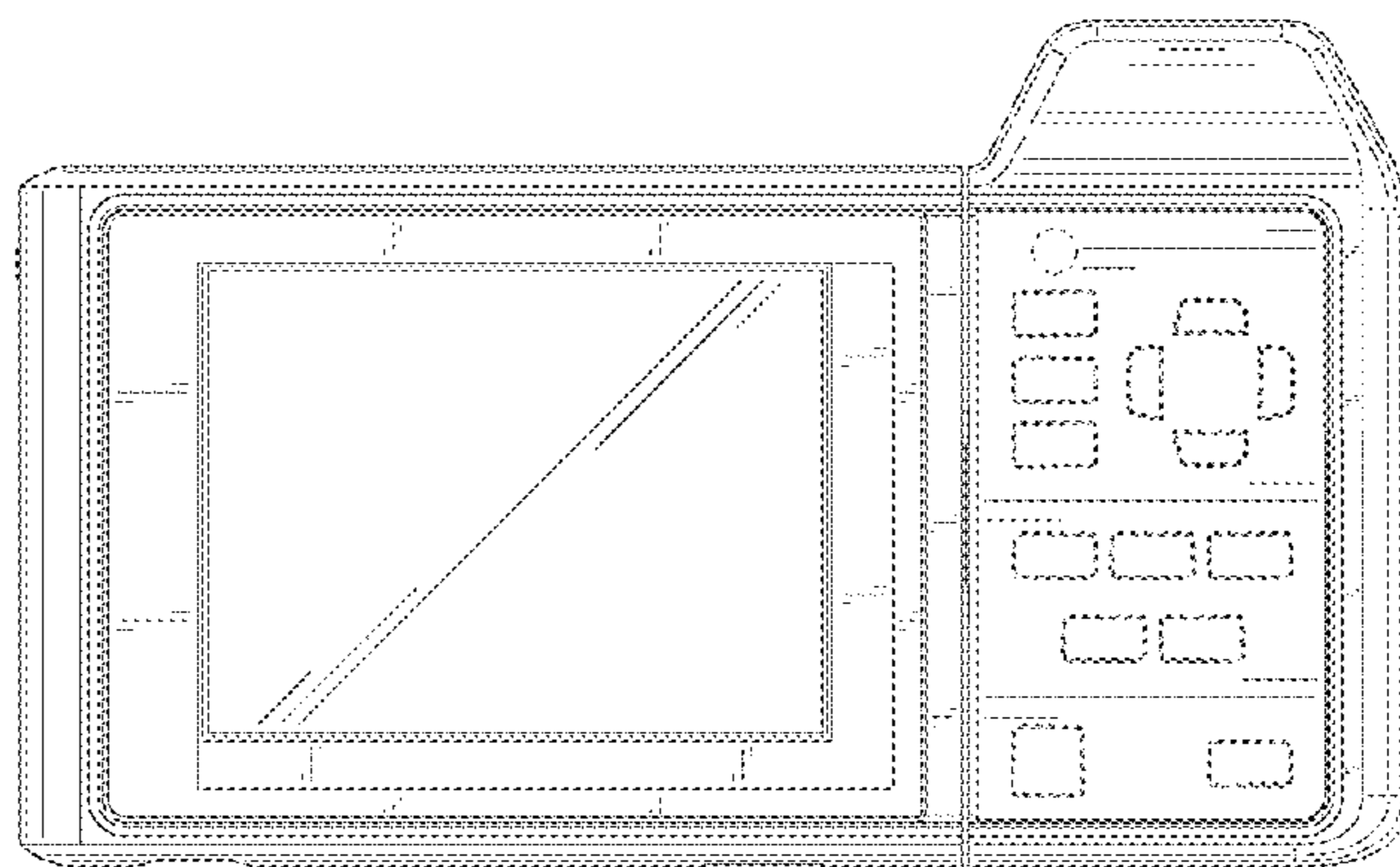
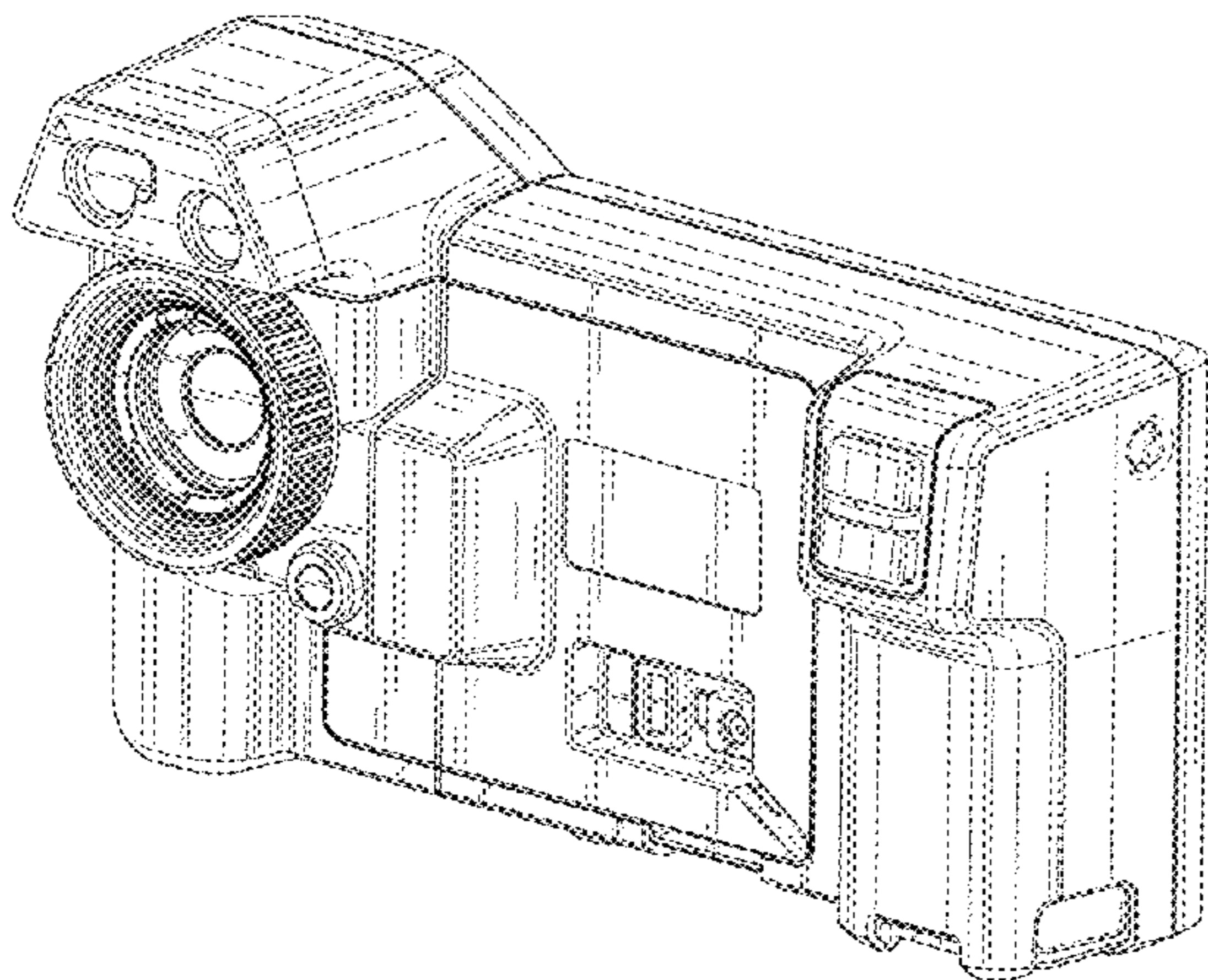
The ornamental design for a thermal camera, as shown and described.

DESCRIPTION

FIG. 1 is a top, front and right side perspective view of a thermal camera showing our new design;
 FIG. 2 is a front elevational view thereof;
 FIG. 3 is a rear elevational view thereof;
 FIG. 4 is a left-side elevation view thereof;
 FIG. 5 is a right-side elevation view thereof;
 FIG. 6 is a top plan view thereof; and,
 FIG. 7 is a bottom plan view thereof.
 The broken lines in the drawings are shown to illustrate the portions of a thermal camera in which the design is embodied and form no part of the claimed design.

1 Claim, 7 Drawing Sheets

- (56) **References Cited**
U.S. PATENT DOCUMENTS
D150,517 S * 8/1948 Iino D16/210
D579,475 S * 10/2008 Aronsson D16/218



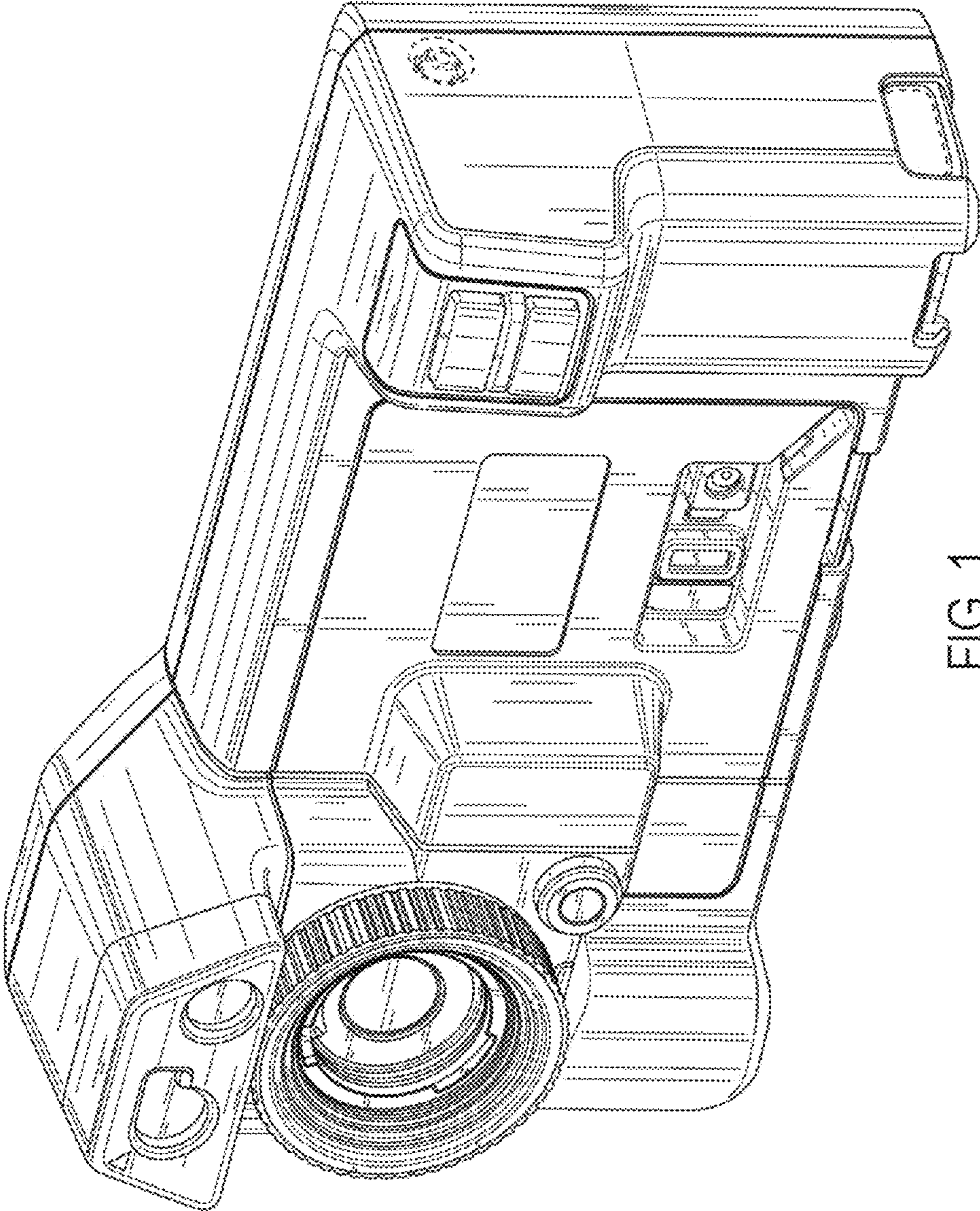


FIG. 1

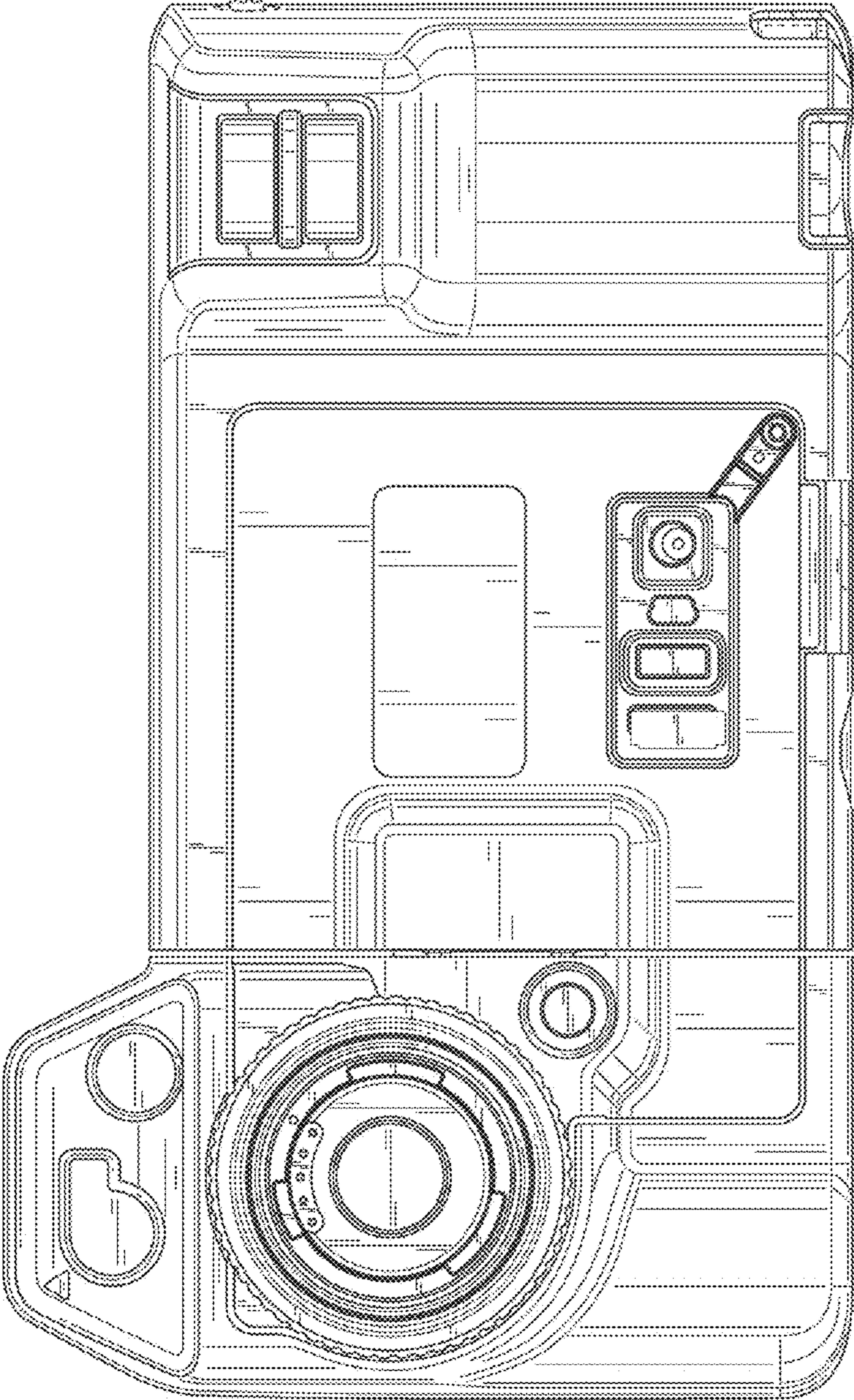


FIG. 2

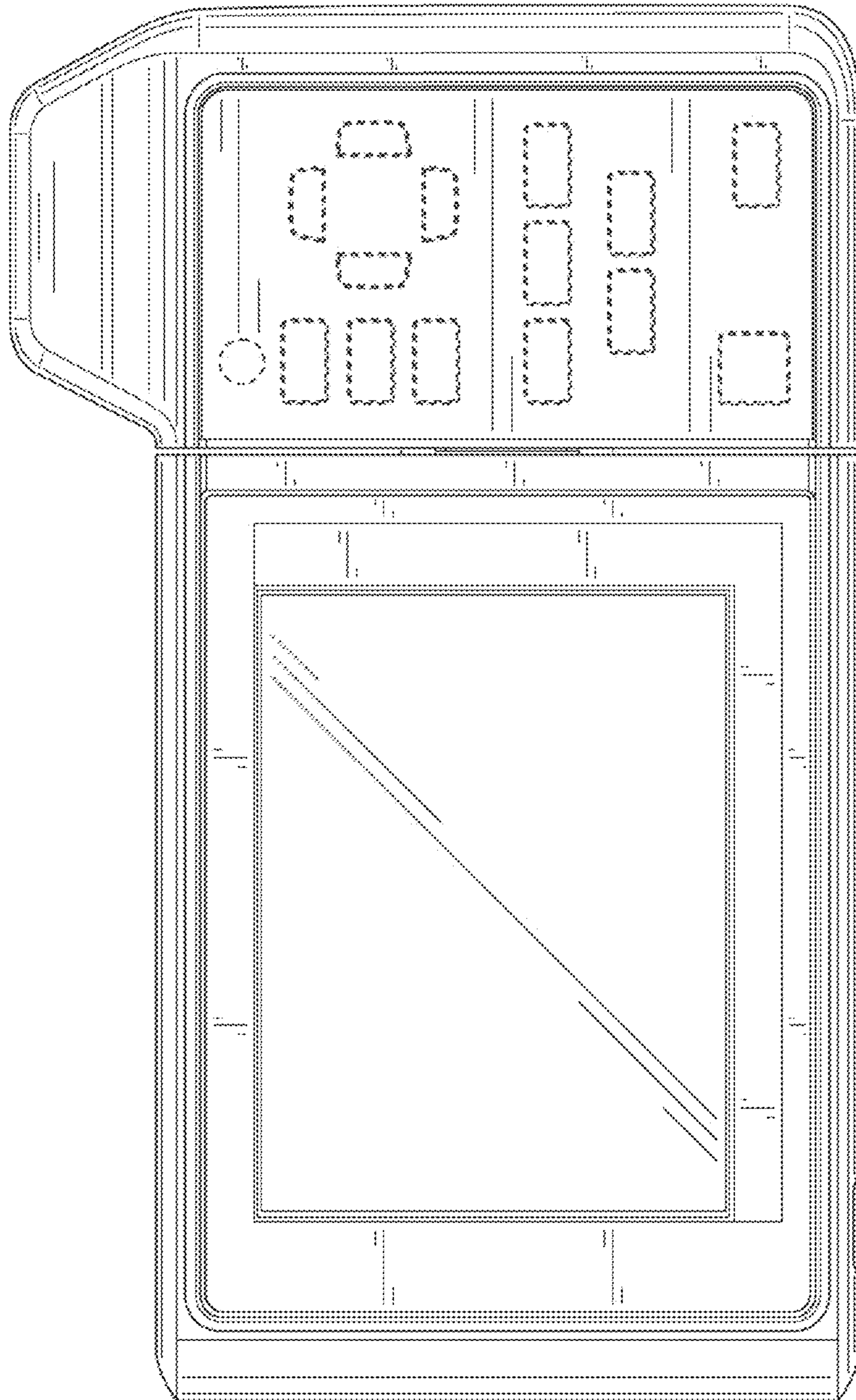


FIG. 3

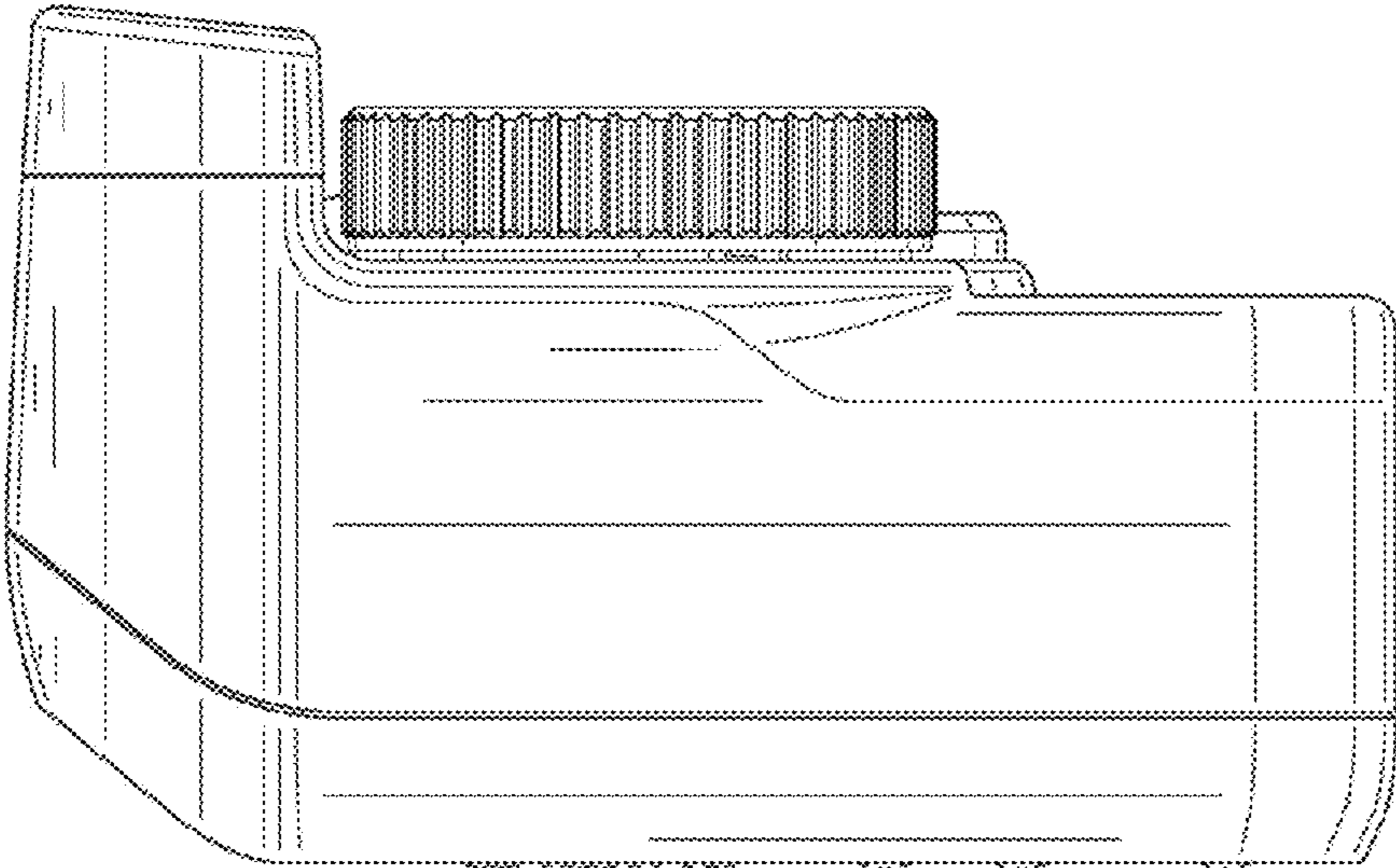


FIG. 4

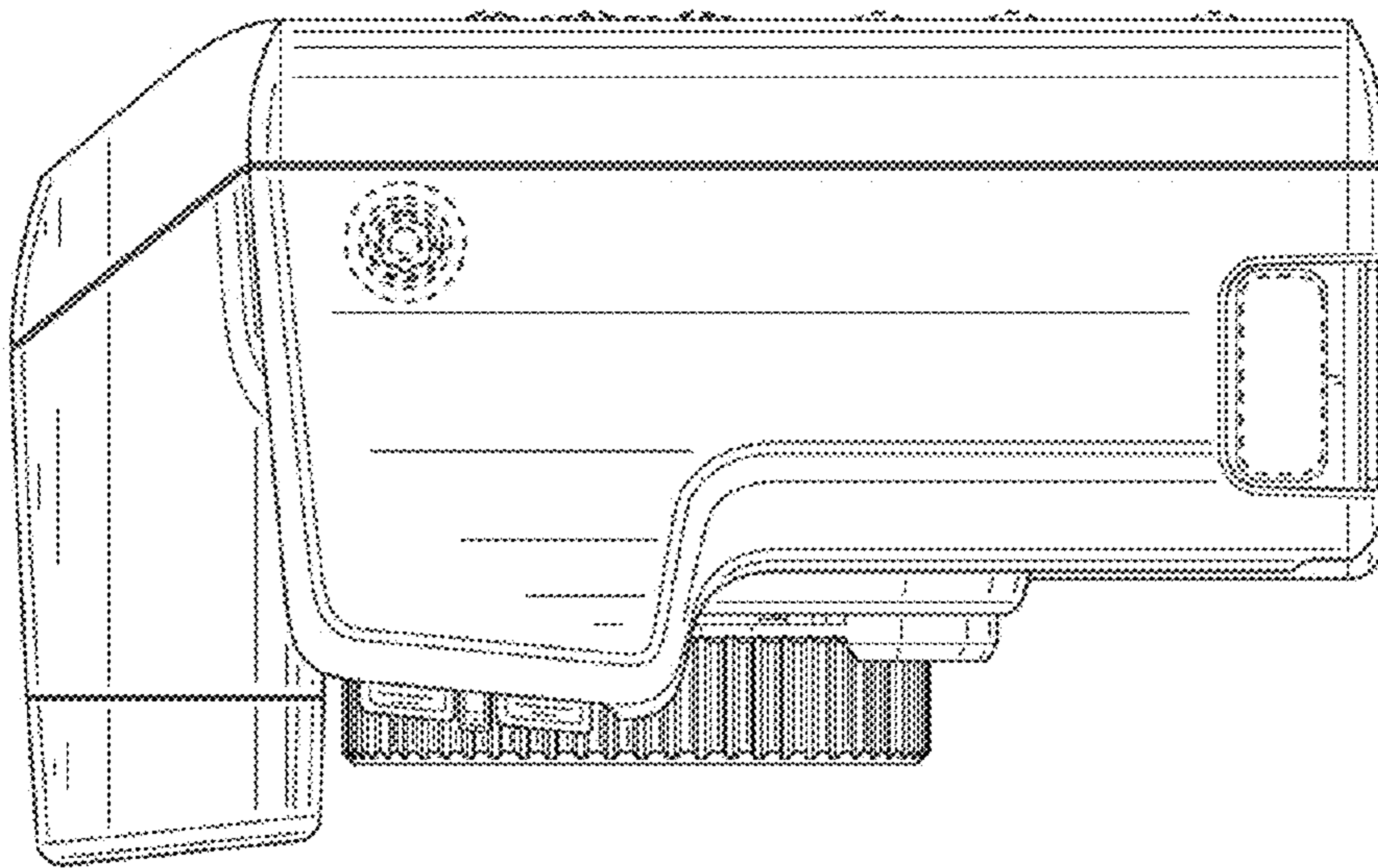


FIG. 5

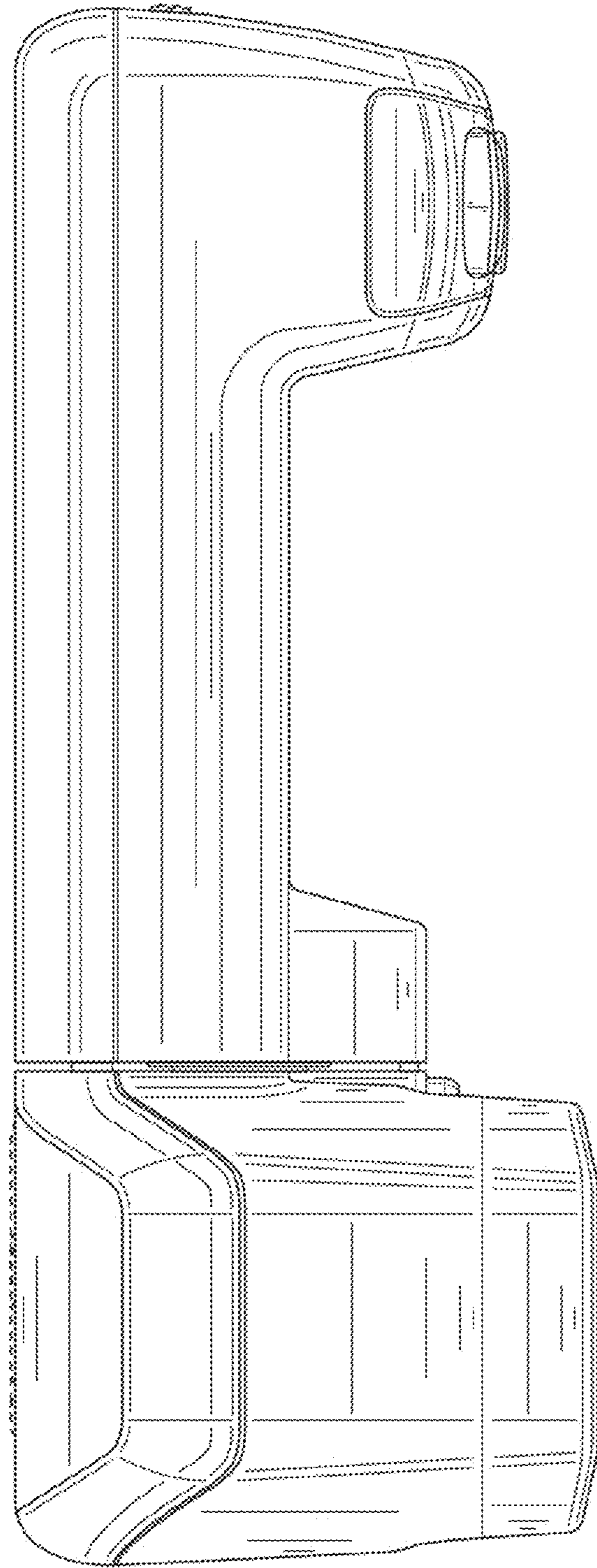


FIG. 6

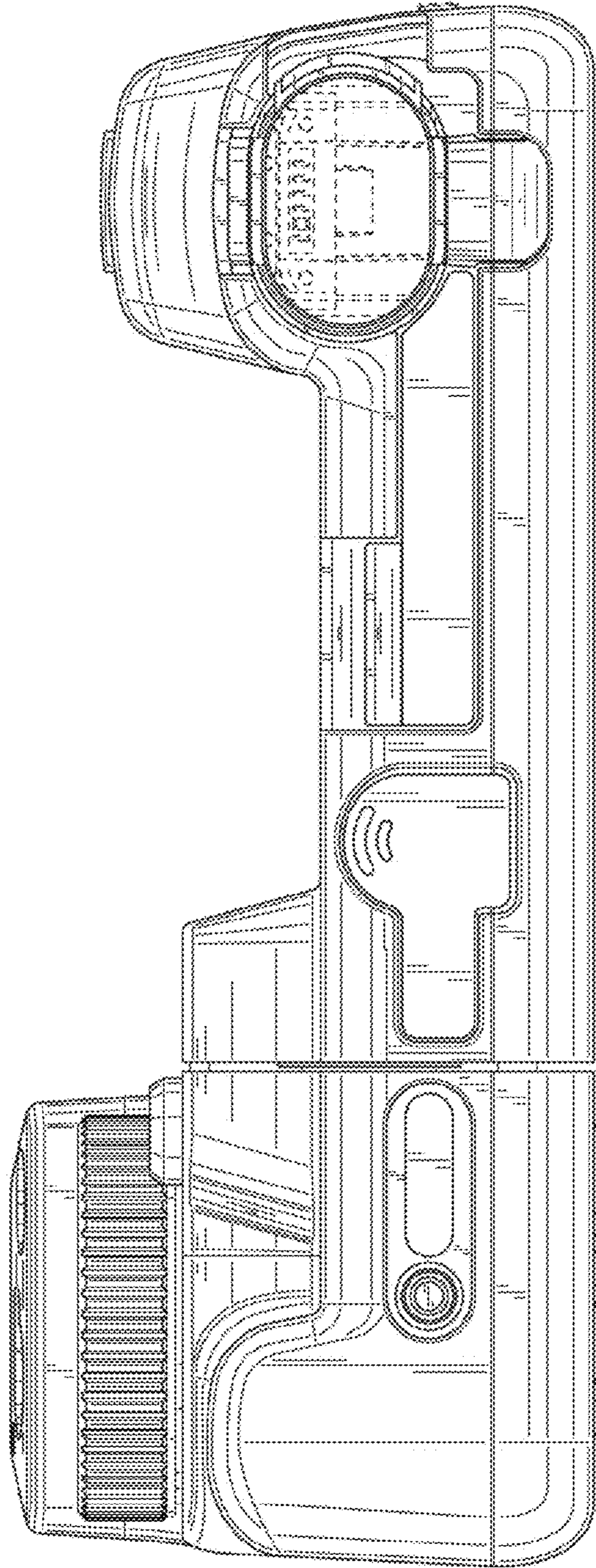


FIG. 7