



US00D753207S

(12) **United States Design Patent**  
**Katori et al.**

(10) **Patent No.:** **US D753,207 S**  
(45) **Date of Patent:** **\*\* Apr. 5, 2016**

(54) **SURVEILLANCE CAMERA**

(71) Applicant: **Panasonic Intellectual Property Management Co., Ltd., Osaka (JP)**

(72) Inventors: **Takehito Katori, Kyoto (JP); Takashi Tsukahara, Osaka (JP)**

(73) Assignee: **Panasonic Intellectual Property Management Co., Ltd., Osaka (JP)**

(\*\*) Term: **15 Years**

(21) Appl. No.: **29/530,212**

(22) Filed: **Jun. 15, 2015**

(30) **Foreign Application Priority Data**

Feb. 26, 2015 (JP) ..... 2015-004013

(51) **LOC (10) CL.** ..... **16-01**

(52) **U.S. Cl.**  
USPC ..... **D16/203**

(58) **Field of Classification Search**  
USPC ..... D16/200, 202–208, 218, 219, 242;  
348/143, 148, 151, 373–376; 396/419,  
396/427, 535, 539–541  
CPC ..... G03B 17/02; G03B 19/04; G03B 17/56;  
G03B 17/04; G03B 15/03; H04N 5/2251;  
H04N 5/2252; H04N 5/2253; H04N 5/2254;  
H04N 7/181; H04N 7/183; H04N 7/18  
See application file for complete search history.

(56) **References Cited**

**U.S. PATENT DOCUMENTS**

D366,270 S \* 1/1996 Hasegawa ..... D16/203  
6,683,654 B1 \* 1/2004 Haijima ..... H04N 5/2252  
348/335  
D514,150 S 1/2006 Muto et al.

D565,073 S \* 3/2008 Jeon ..... D16/203  
D606,572 S \* 12/2009 Samson ..... D16/203  
D612,408 S \* 3/2010 Yamakawa ..... D16/203  
D612,410 S \* 3/2010 Deurwaarder ..... D16/203  
D633,932 S \* 3/2011 Park ..... D16/203  
D634,347 S 3/2011 Park  
D634,768 S \* 3/2011 Ko ..... D16/203  
D637,640 S 5/2011 Park  
D638,871 S \* 5/2011 Bergstrom ..... D16/203  
D661,719 S 6/2012 Katori et al.  
D672,382 S \* 12/2012 Zeinoun ..... D16/203  
D684,619 S 6/2013 Chapple et al.  
D686,267 S \* 7/2013 Mihara ..... D16/202  
D691,187 S 10/2013 Seo et al.  
D707,743 S \* 6/2014 Nakashima ..... D16/202  
2010/0013922 A1 \* 1/2010 Cheng ..... G08B 13/19619  
348/143

\* cited by examiner

*Primary Examiner* — Adir Aronovich

*Assistant Examiner* — Ramzi Almatrahi

(74) *Attorney, Agent, or Firm* — Panasonic Patent Center

(57) **CLAIM**

We claim the ornamental design for a surveillance camera, as shown and described.

**DESCRIPTION**

FIG. 1 is a front perspective view of a surveillance camera of the present invention;  
FIG. 2 is a rear perspective view thereof;  
FIG. 3 is a front elevation view thereof;  
FIG. 4 is a rear elevation view thereof;  
FIG. 5 is a right side elevation view thereof;  
FIG. 6 is a left side elevation view thereof;  
FIG. 7 is a top plan view thereof; and,  
FIG. 8 is a bottom plan view thereof.  
The broken lines depict portions of a surveillance camera in which the design is embodied and form no part of the claimed design.

**1 Claim, 8 Drawing Sheets**

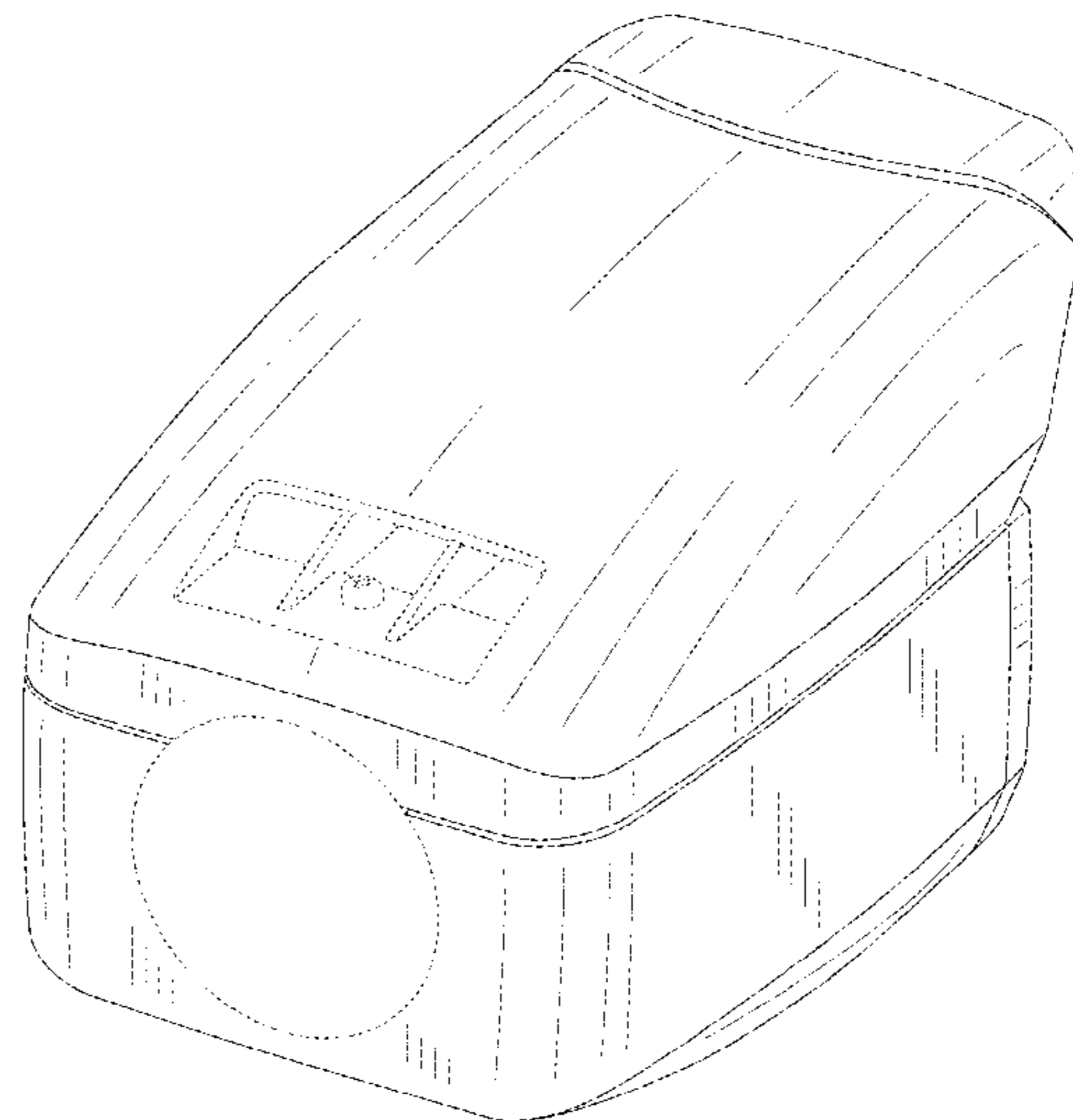
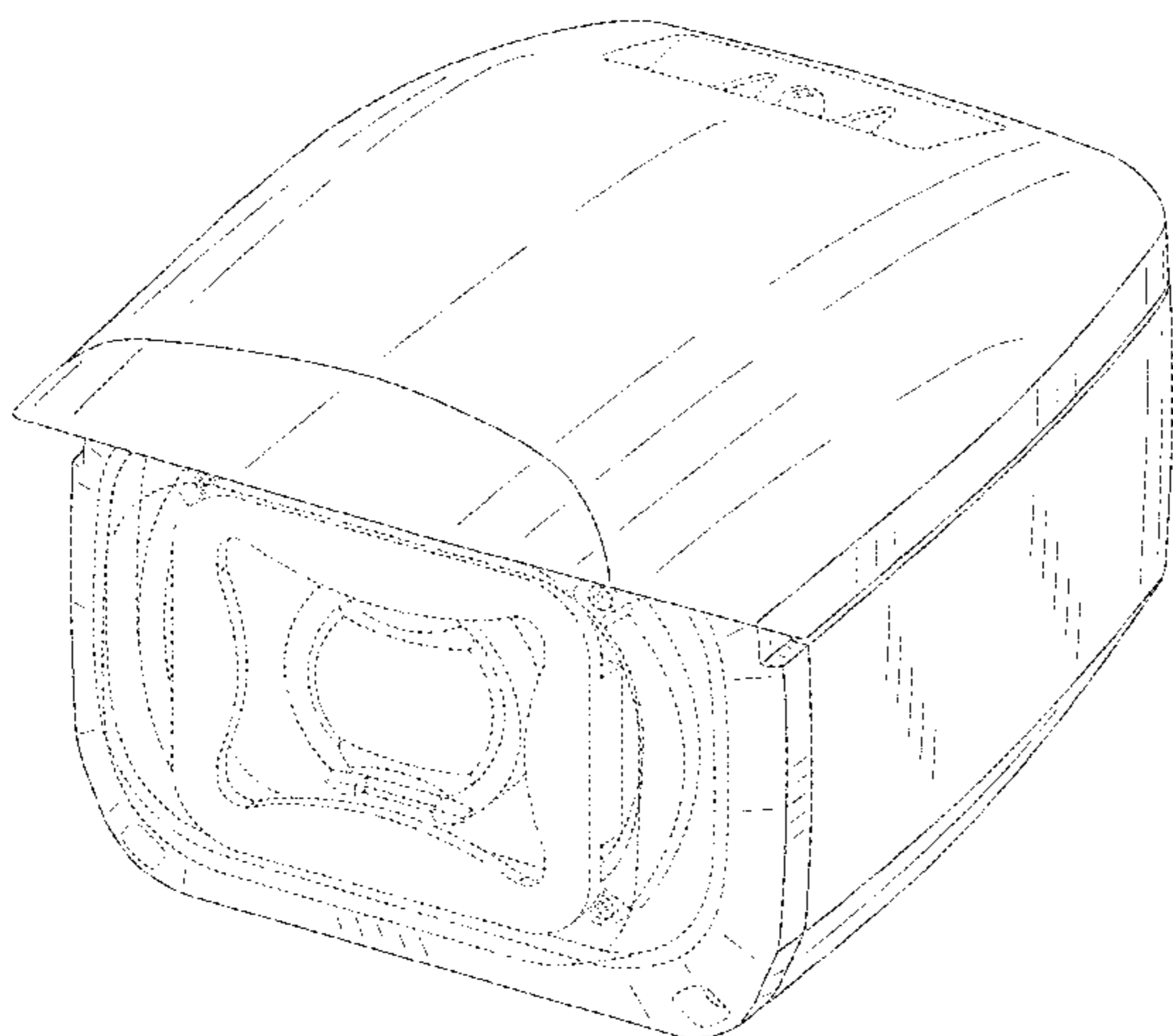


FIG. 1

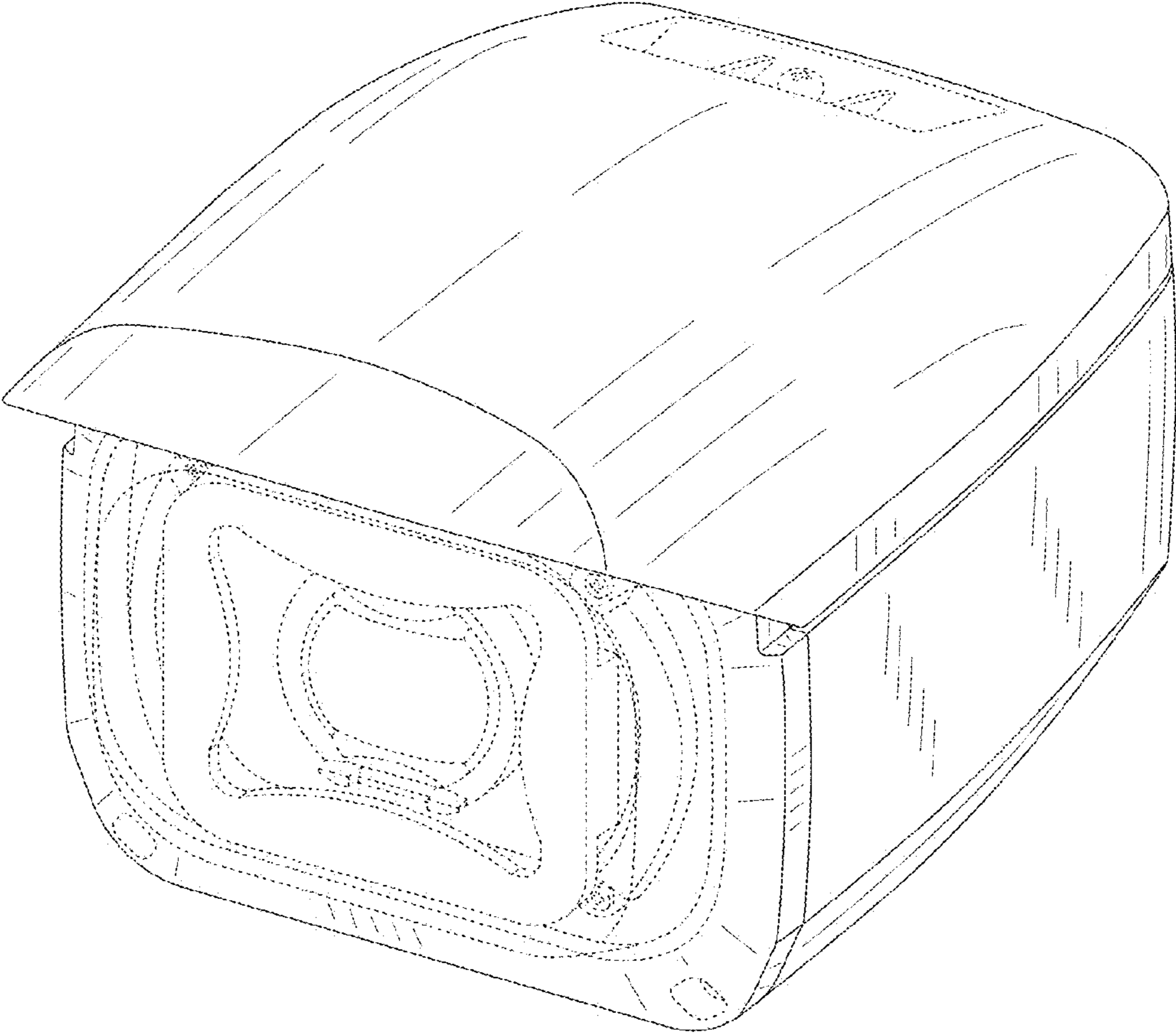


FIG. 2

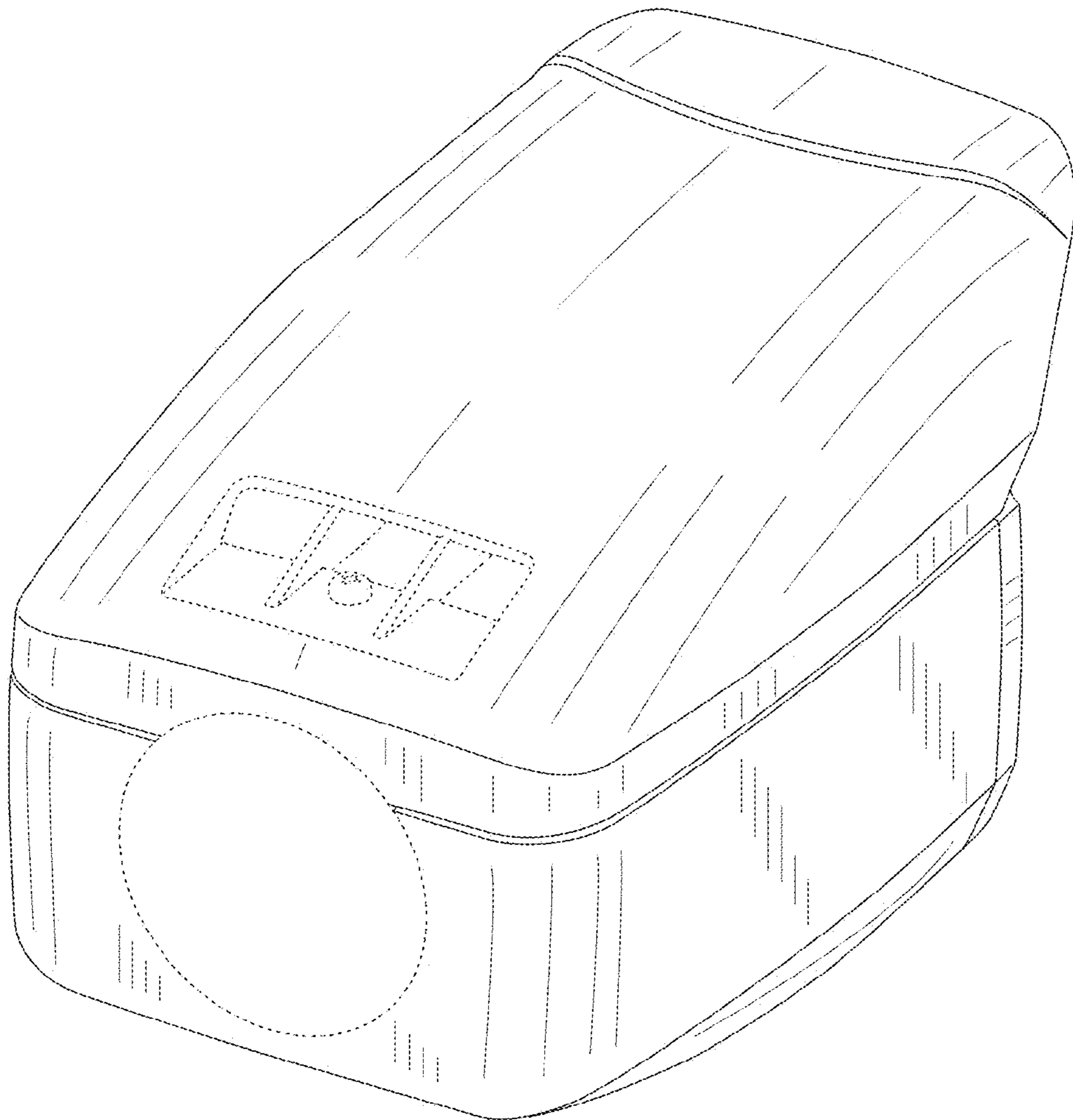


FIG. 3

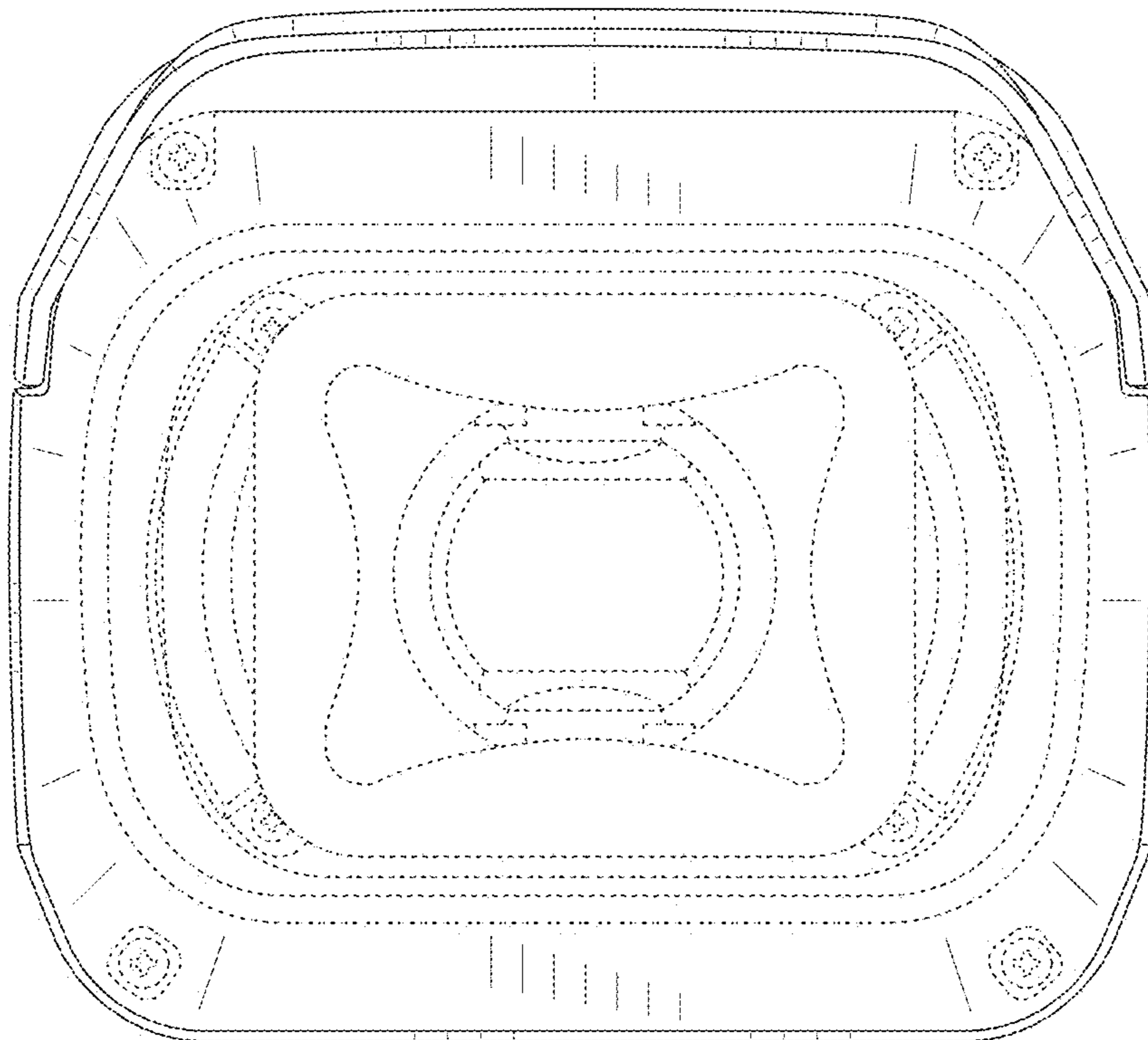


FIG. 4

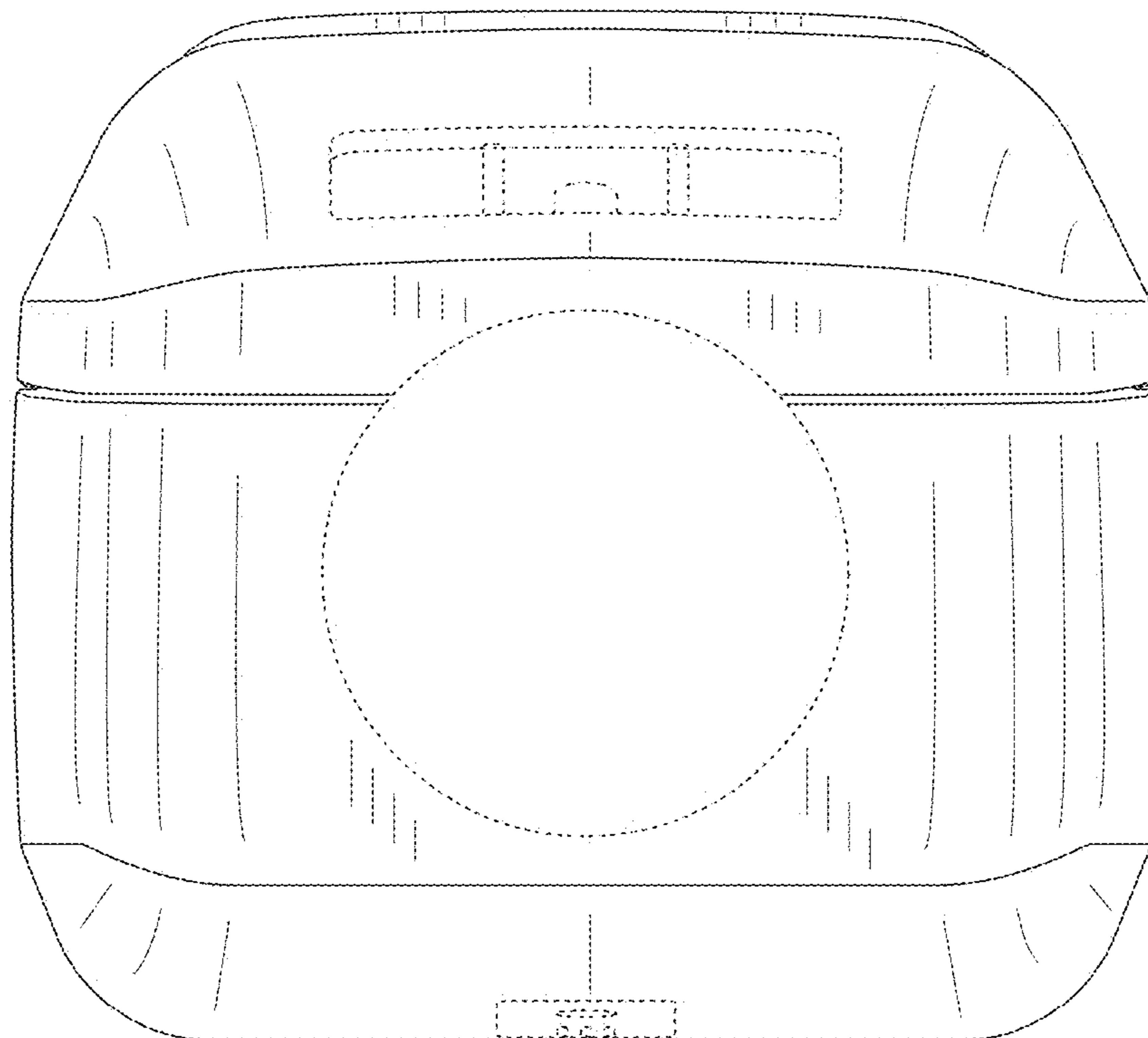


FIG. 5

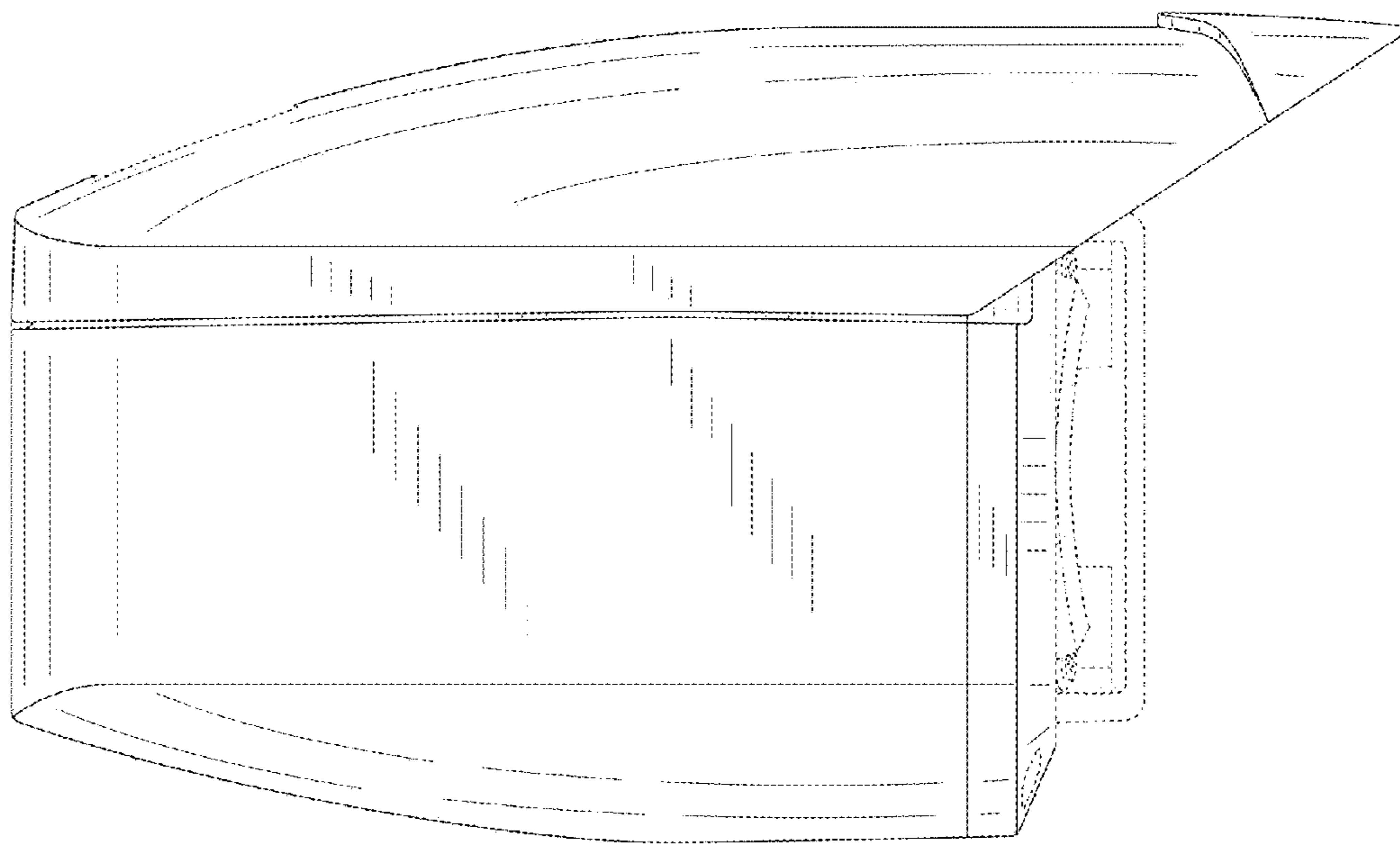


FIG. 6

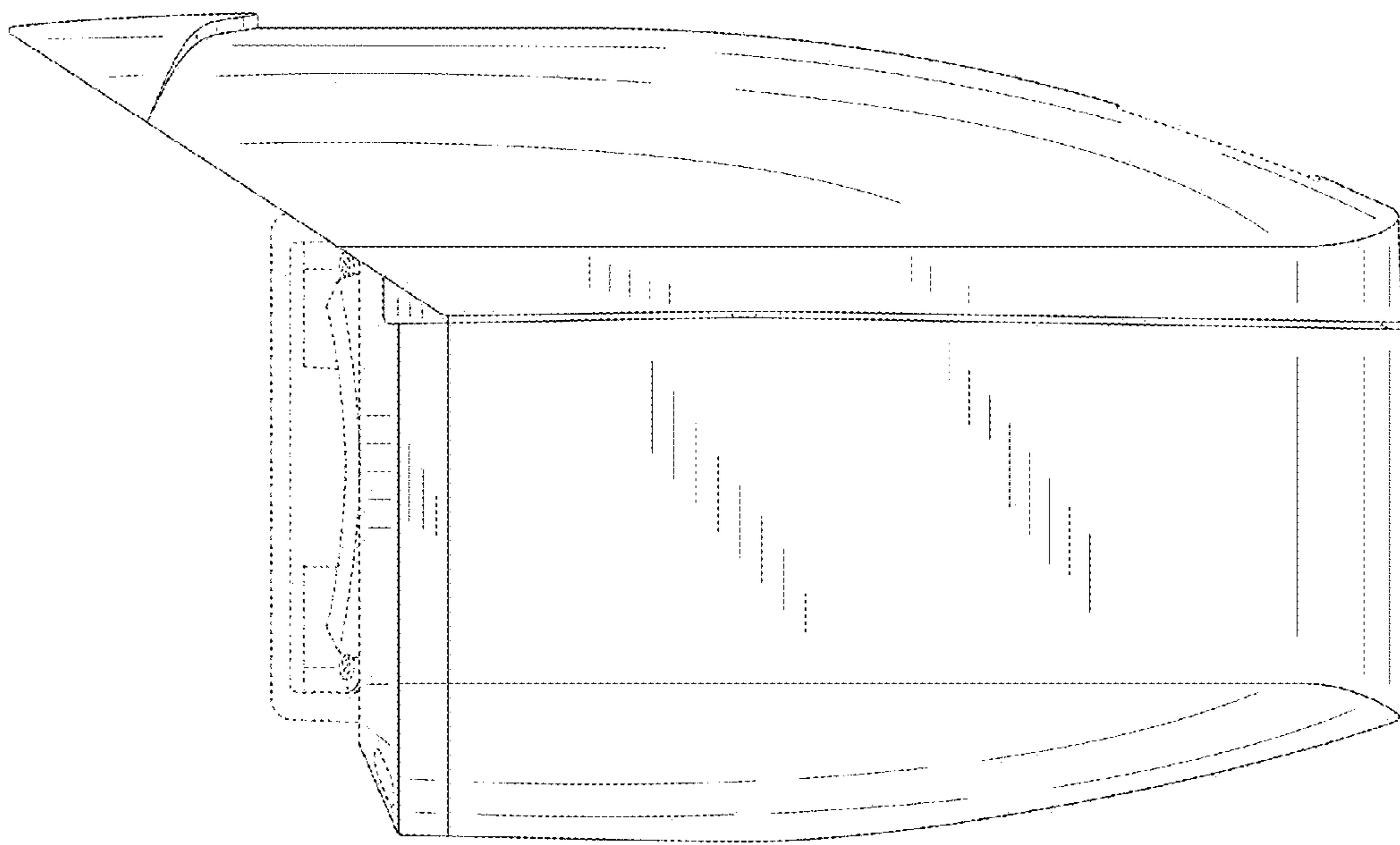


FIG. 7

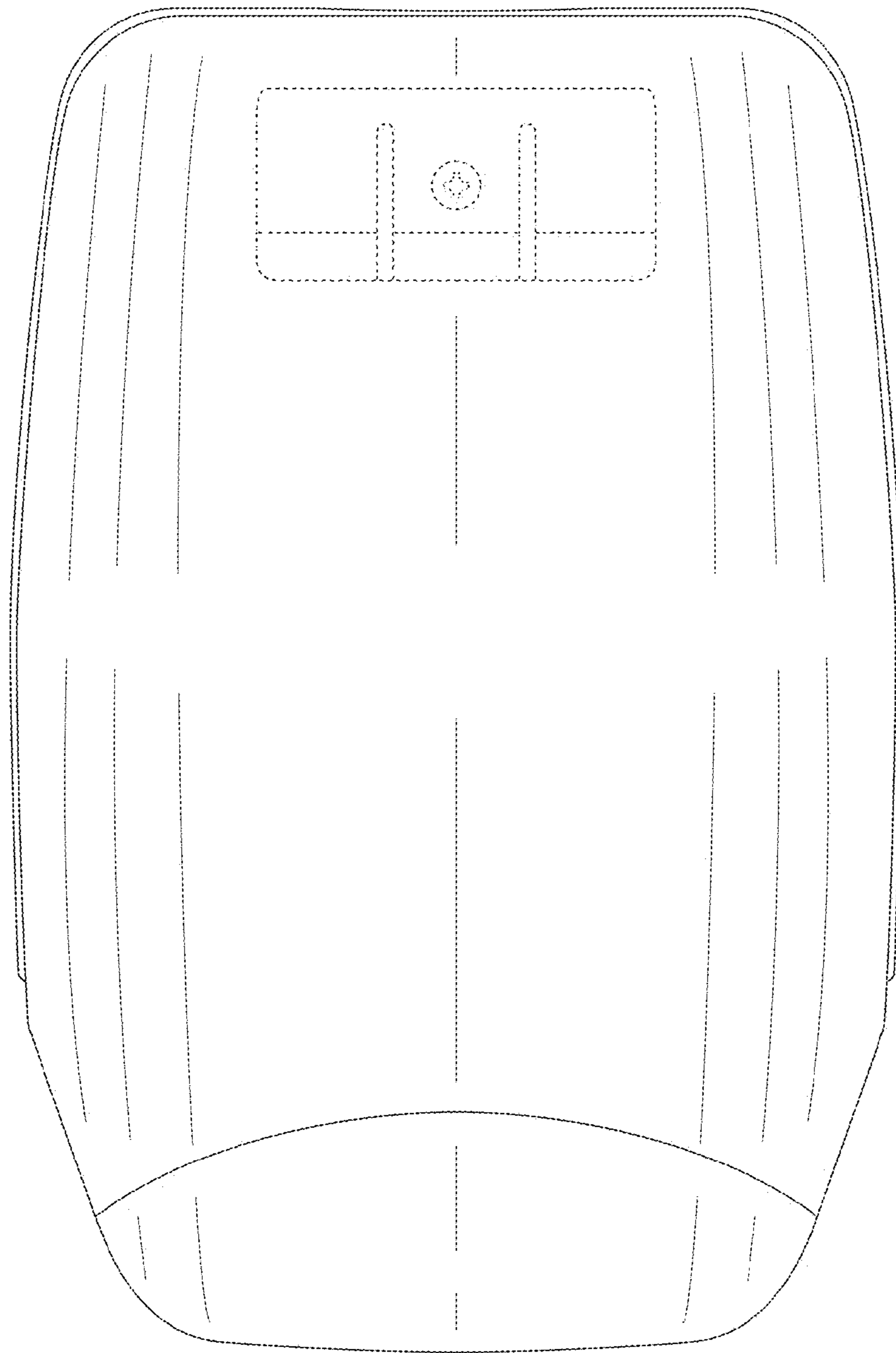




FIG. 8

