



US00D753205S

(12) **United States Design Patent**
Stark

(10) **Patent No.:** **US D753,205 S**
(45) **Date of Patent:** **** Apr. 5, 2016**

(54) **GIMBAL**

FOREIGN PATENT DOCUMENTS

(71) Applicant: **Avigilon Corporation**, Vancouver (CA)

EP 1096452 B1 5/2001
EP 2077538 A1 7/2009

(72) Inventor: **Andrew J. Stark**, Vancouver (CA)

OTHER PUBLICATIONS

(73) Assignee: **AVIGILON CORPORATION**,
Vancouver (CA)

“Assembly Instruction”; Axis Communications; Axis M50 Series
Dome Cover; Ver. 1.0; Part No. 46106; Apr. 2012; 9 pages.

(Continued)

(**) Term: **14 Years**

Primary Examiner — Susan Bennett Hattan

(21) Appl. No.: **29/496,408**

Assistant Examiner — Leanne Was

(22) Filed: **Jul. 11, 2014**

(74) *Attorney, Agent, or Firm* — Baker & Hostetler LLP

(30) **Foreign Application Priority Data**

(57) **CLAIM**

I claim the ornamental design for a gimbal, as shown and
described.

Apr. 25, 2014 (CA) 156370

(51) **LOC (10) Cl.** **16-01**

DESCRIPTION

(52) **U.S. Cl.**

USPC **D16/203**

(58) **Field of Classification Search**

USPC D16/200–208; 40/663; 348/143,
348/373–376; 403/348; 396/419, 427,
396/535–543; 411/552

See application file for complete search history.

FIG. 1 is a perspective view of a gimbal, wherein the broken
lines illustrate environment structure that is not part of the
design;

FIG. 2 is a bottom plan view of the gimbal of FIG. 1;

FIG. 3 is a front elevation view of the gimbal of FIG. 1,
wherein the broken lines illustrate environment structure that
is not part of the design;

FIG. 4 is a rear elevation view of the gimbal of FIG. 1,
wherein the broken lines illustrate environment structure that
is not part of the design;

FIG. 5 is a left side elevation view of the gimbal of FIG. 1,
wherein the broken lines illustrate environment structure that
is not part of the design;

FIG. 6 is a right side elevation view of the gimbal of FIG. 1,
wherein the broken lines illustrate environment structure that
is not part of the design; and,

FIG. 7 is a perspective view of the gimbal of FIG. 1, wherein
the broken lines illustrate environment structure, associated
with a gimbal shroud and a trim ring and dome that surround
part of the gimbal, that is not part of the design.

The design is the visual features of a gimbal shown in solid
lines in the drawings.

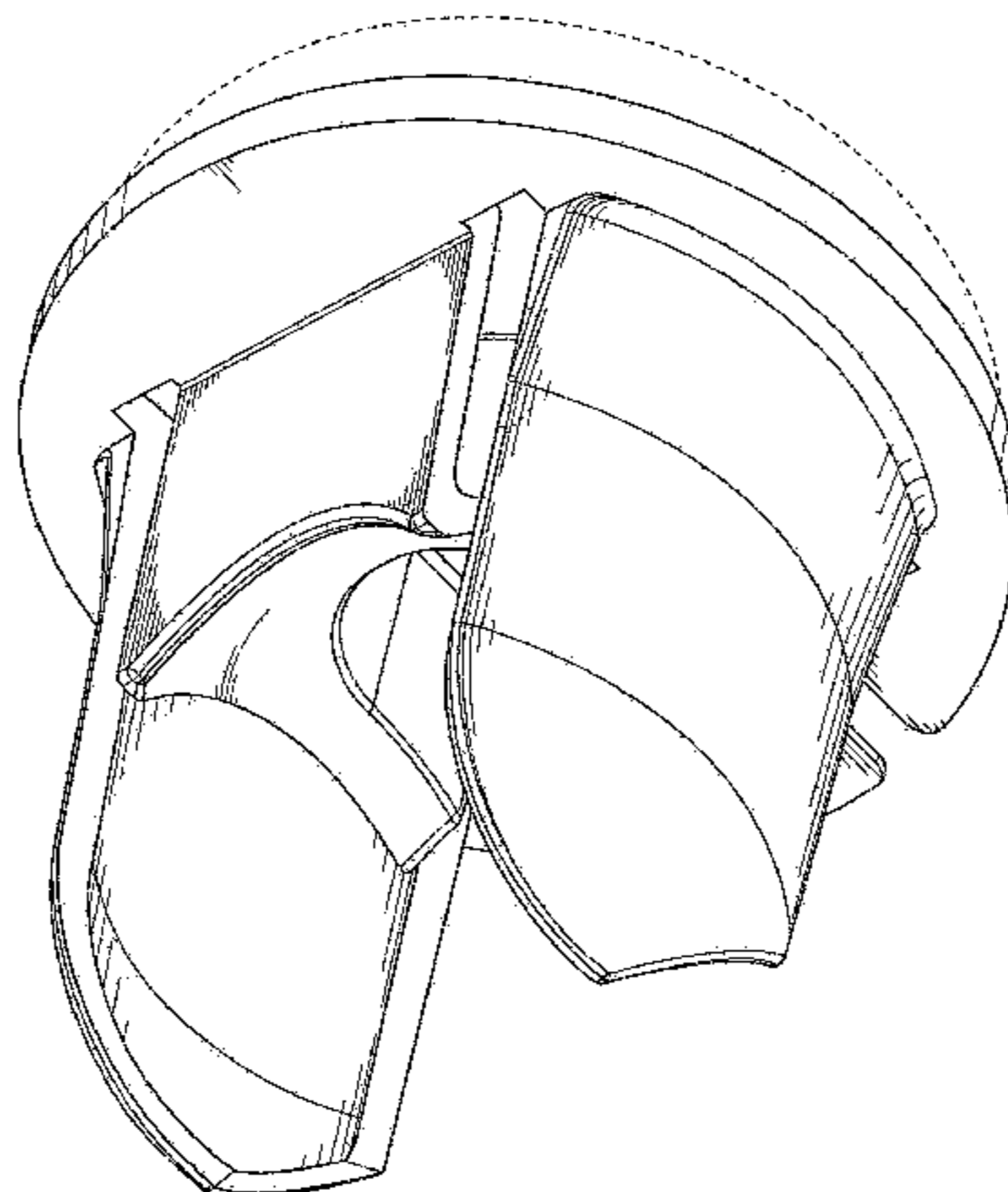
(56) **References Cited**

U.S. PATENT DOCUMENTS

5,818,519 A 10/1998 Wren
D405,456 S * 2/1999 Lefkowitz D16/203
6,234,691 B1 5/2001 Jones et al.
6,476,856 B1 11/2002 Zantos
6,678,001 B1 1/2004 Elberbaum
6,742,942 B2 6/2004 Hering et al.
6,896,423 B2 5/2005 Arbuckle et al.
6,992,723 B1 1/2006 Wulf et al.
7,651,281 B2 1/2010 Wen
8,148,635 B1 4/2012 Gretz

(Continued)

1 Claim, 5 Drawing Sheets



(56)

References Cited

U.S. PATENT DOCUMENTS

8,695,258 B2 * 4/2014 Kori et al. 40/663
D708,654 S * 7/2014 Tani D16/203
D719,204 S * 12/2014 Nakanishi D16/203
2004/0057717 A1 3/2004 Arbuckle et al.
2014/0037283 A1 2/2014 Cury

OTHER PUBLICATIONS

“18x/28x/36x WDR PTZ Dome Camera”; Dahua Technology Co. Ltd.; DH-SD6563E/65E/66E-H Specifications; 2013; 5 pages.

“Avigilon High Definition IP Dome Camera Indoor In-Ceiling Mount.”; Avigilon; Installation Guide; Sep. 26, 2011; 31 pages.

“H34S-IC In-Ceiling Mount Quick Installation Guide”; Honeywell; 2014; 4 pages.

“HD3DS(X) HD3HRS(X) Indoor Minidome Camera Quick Installation Guide”; Honeywell; 2013; 2 pages.

“HD5 Fixed Dome Camera Quick Install Guide” Honeywell; 2009; 2 pages.

“AXIS P5544 PTZ Dome Network Camera”; Axis Communications; Ver. 1.1; Part No. 47249; May 2012; 100 pages.

“IS20/IS21 Series Camclosure 2 Integrated Camera System”; Pelco by Schneider Electric; 2010; 28 pages.

* cited by examiner

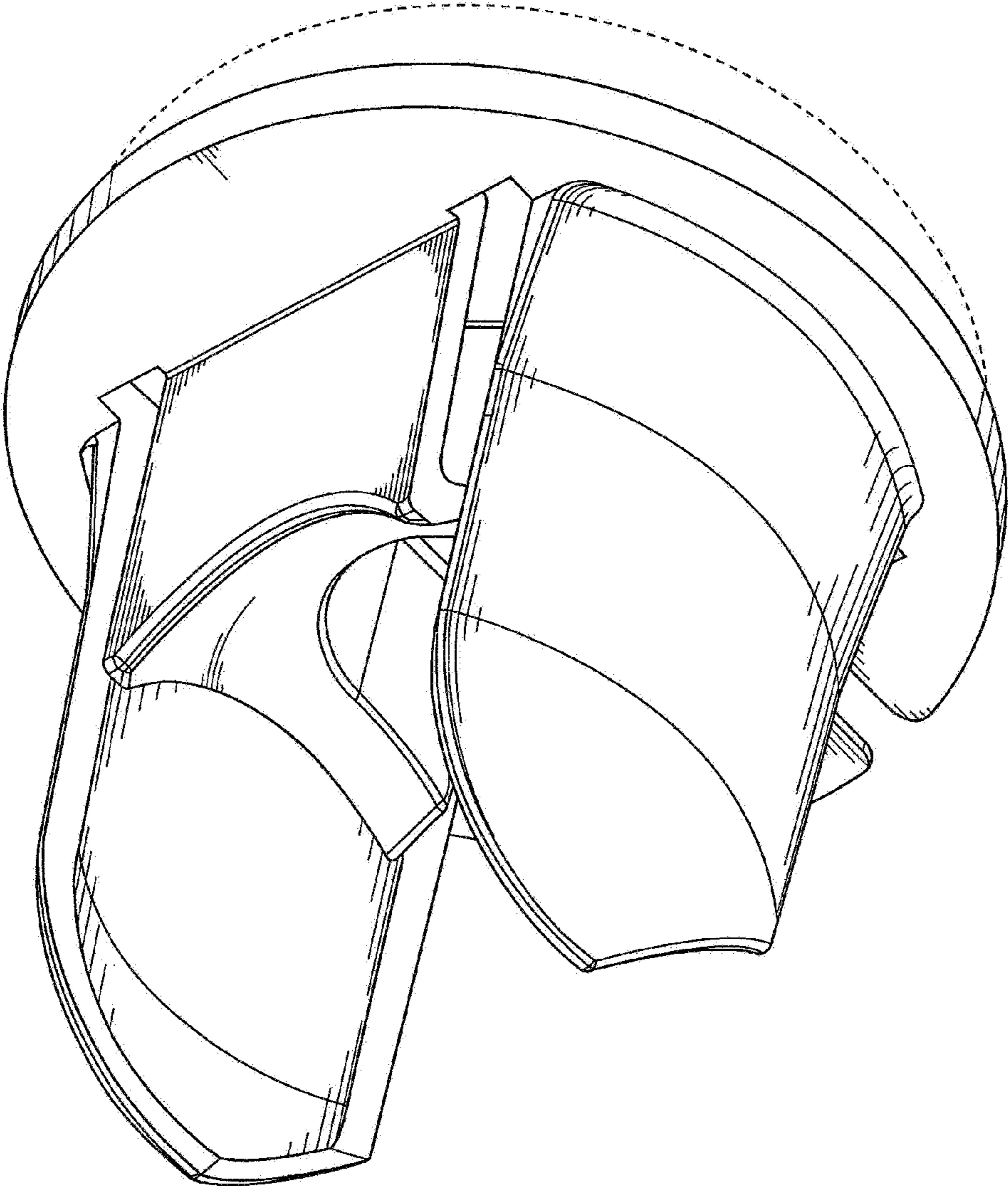


FIG. 1

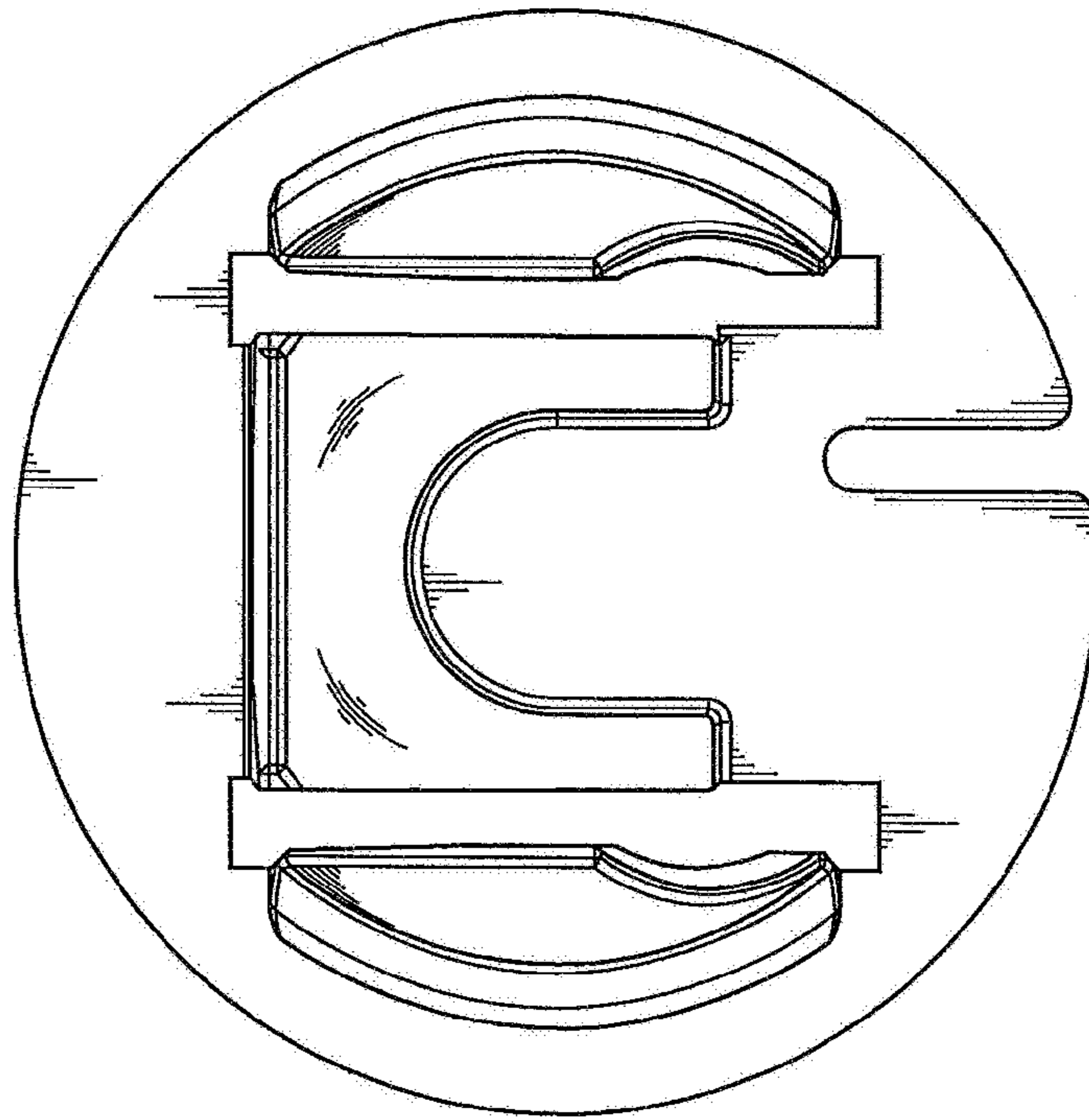


FIG. 2

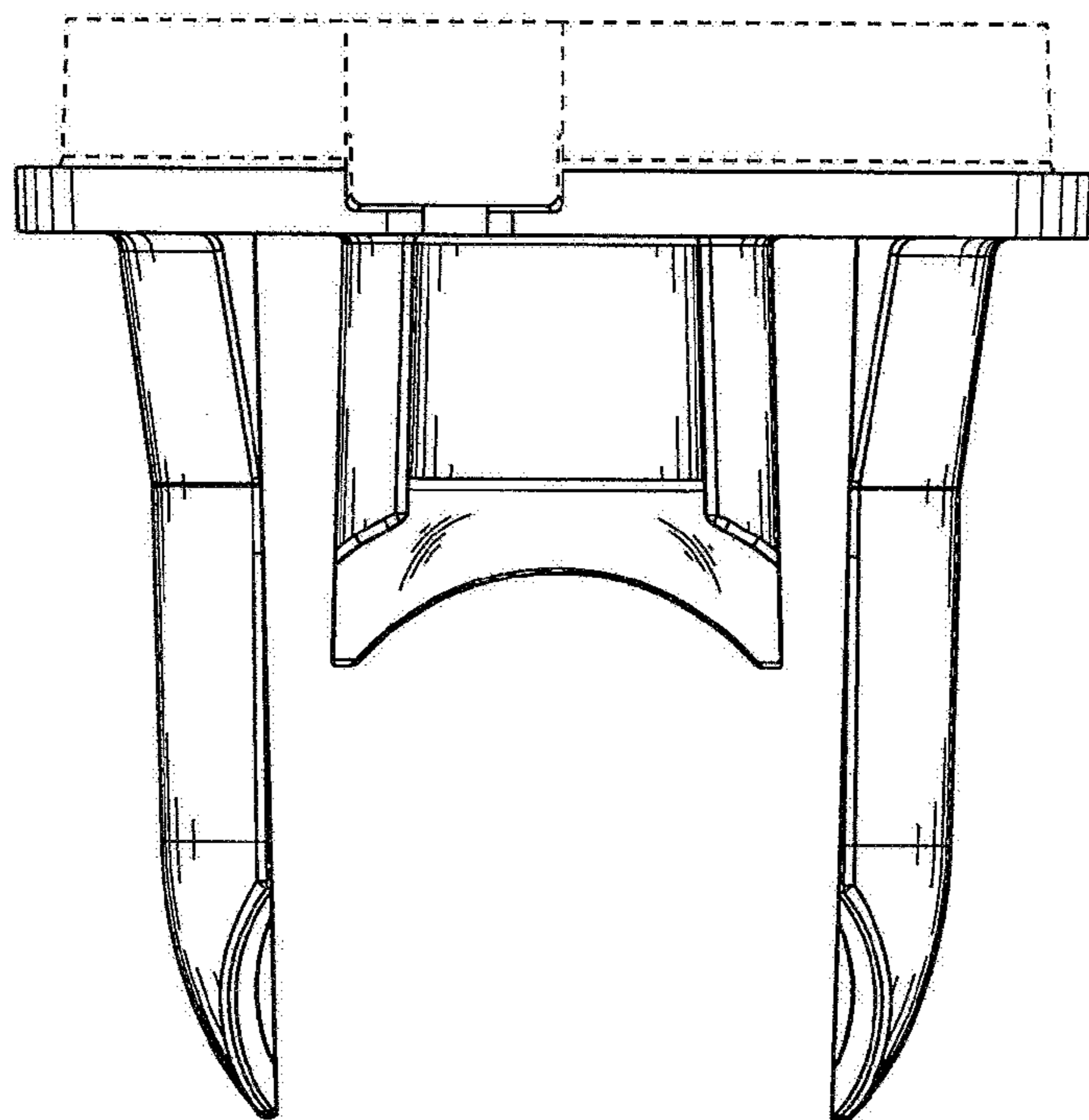


FIG. 3

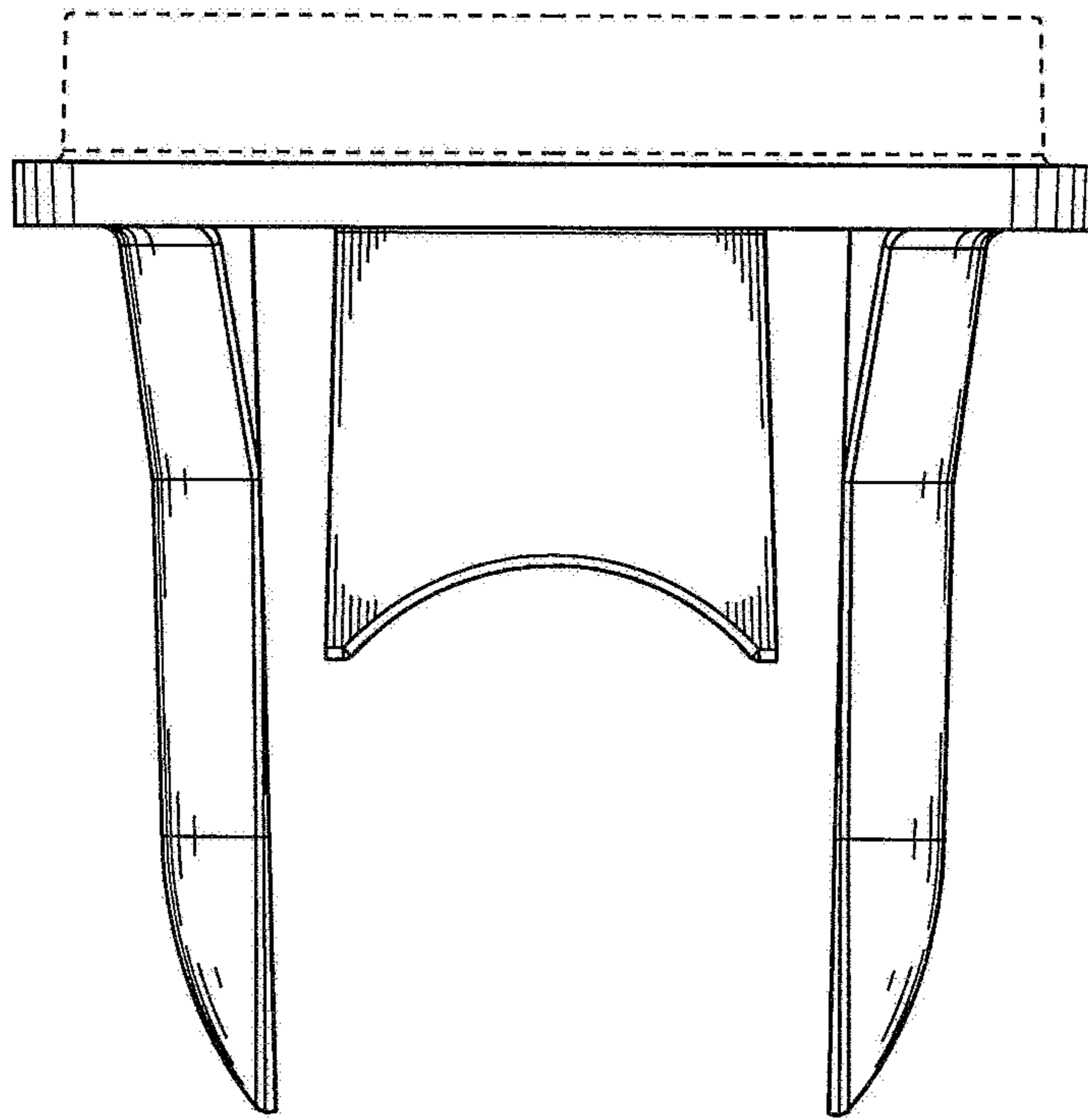


FIG. 4

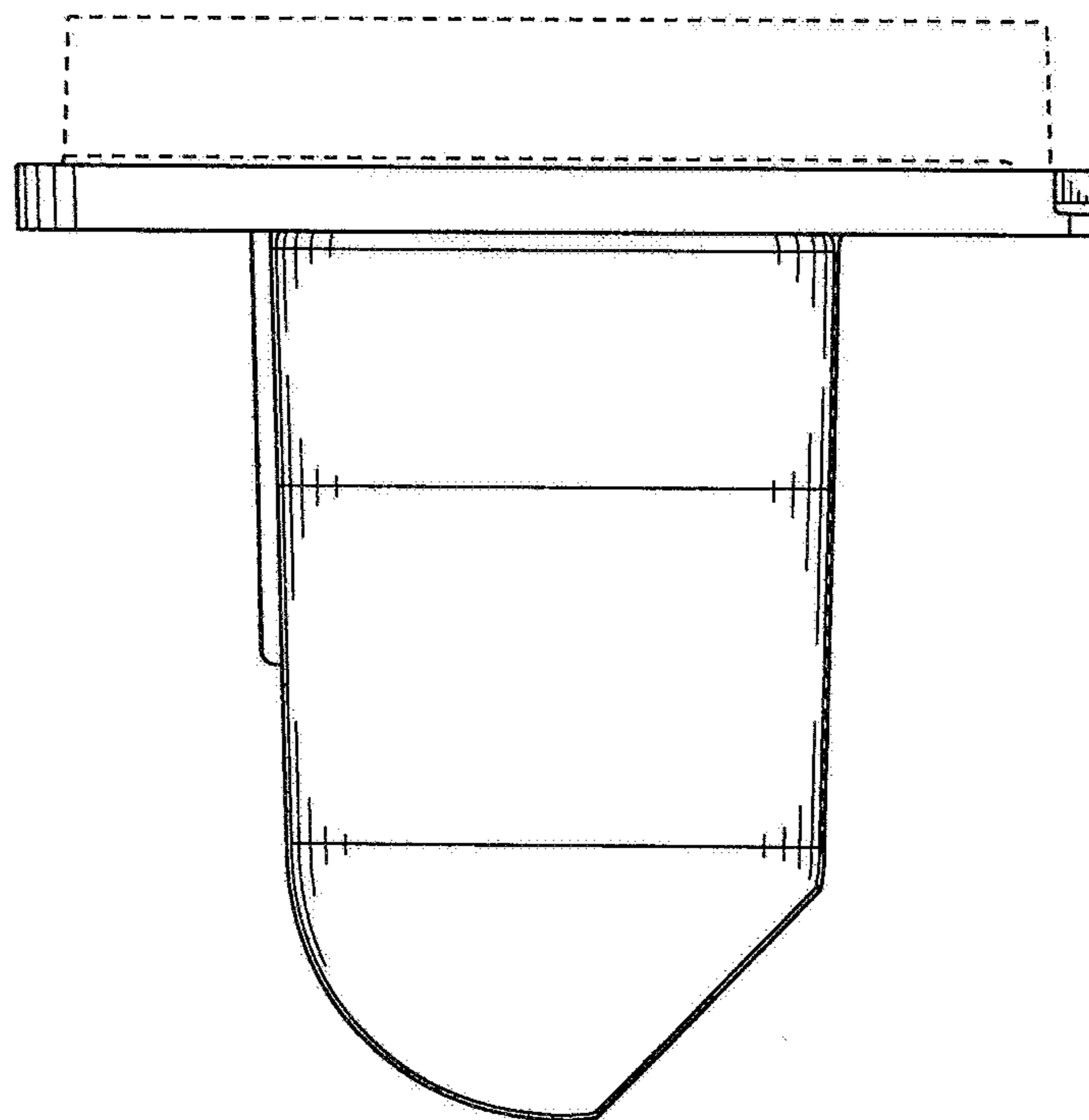


FIG. 5

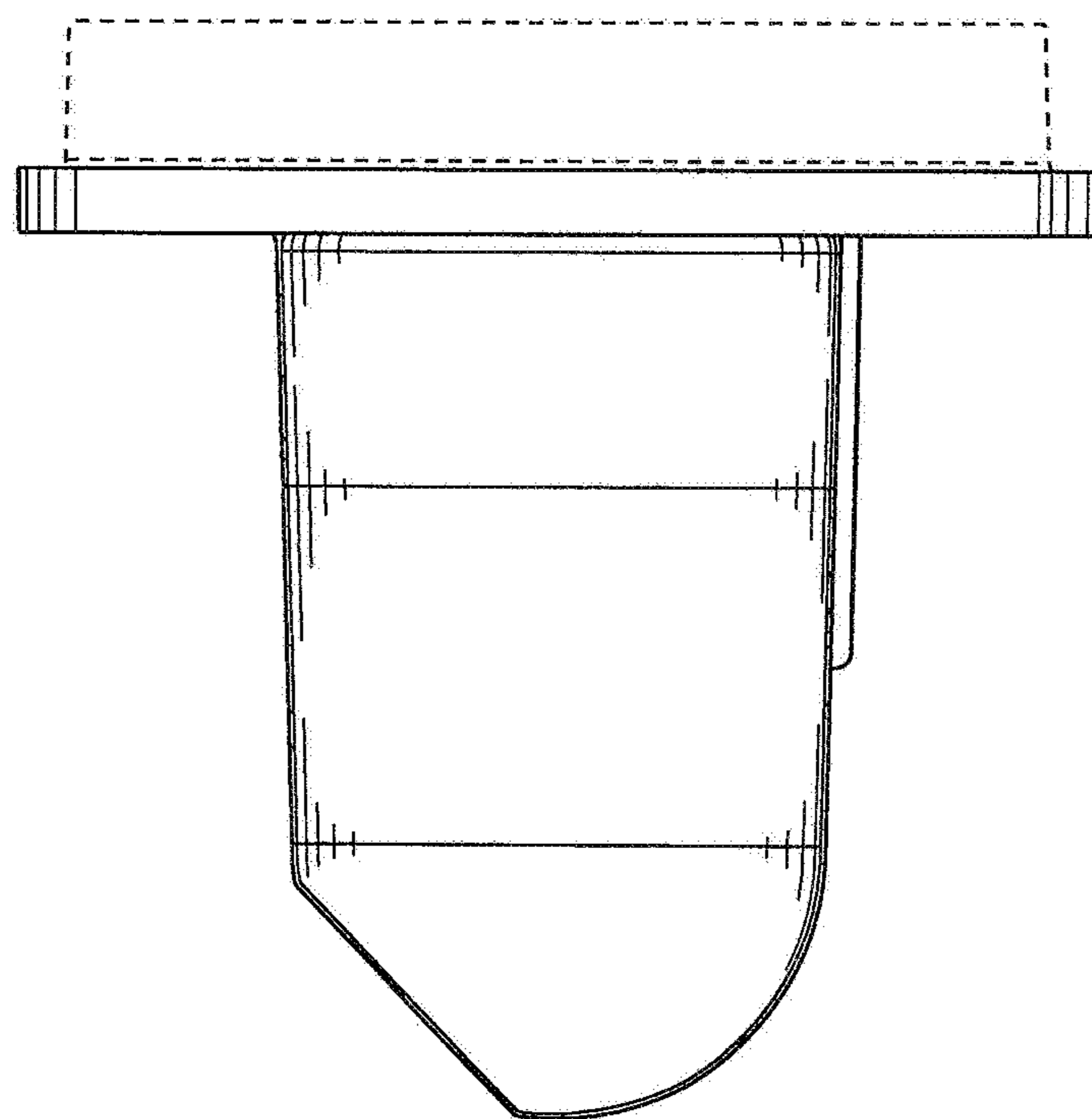


FIG. 6

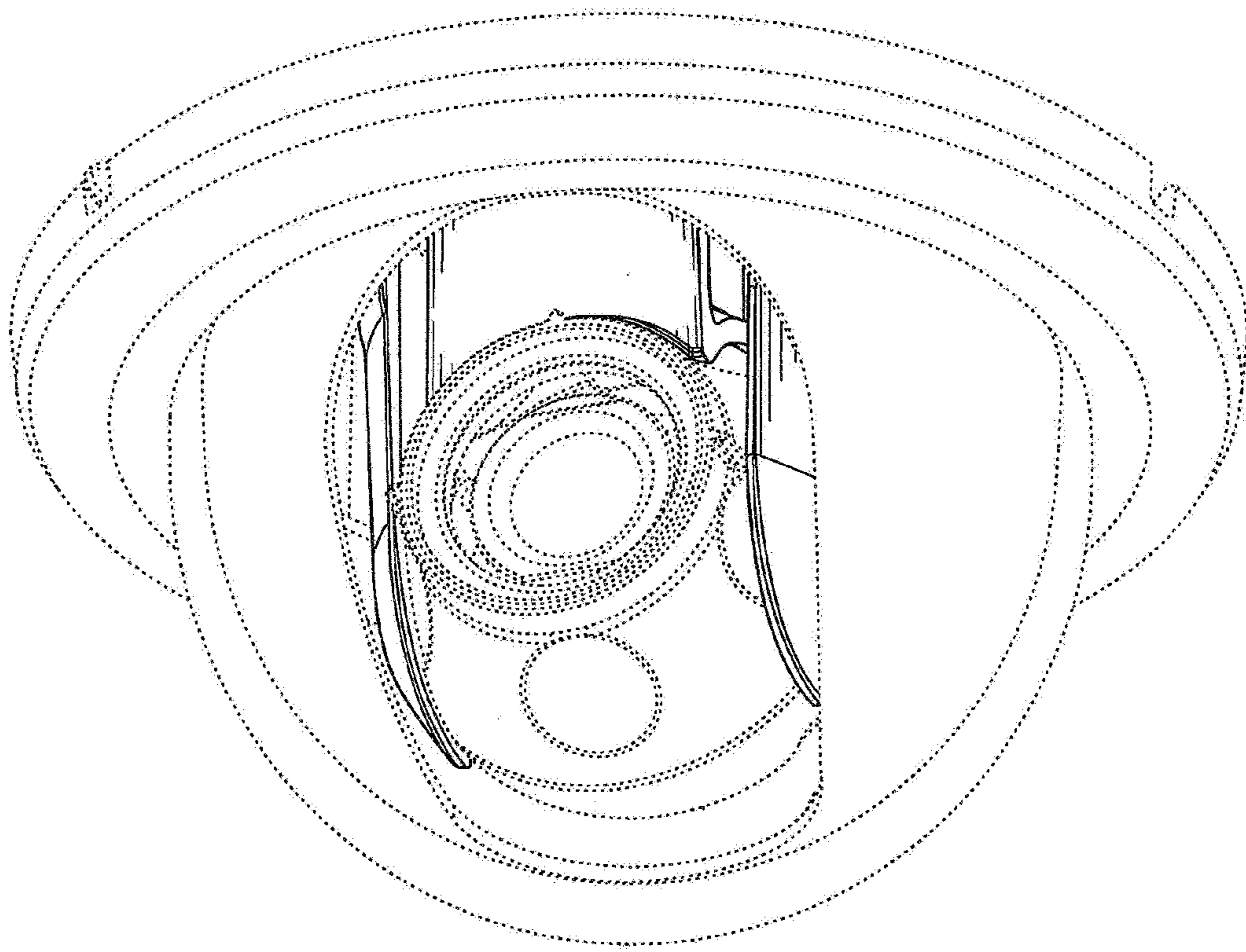


FIG. 7