



US00D753203S

(12) **United States Design Patent**
Chai

(10) **Patent No.:** **US D753,203 S**

(45) **Date of Patent:** **** Apr. 5, 2016**

(54) **CAMERA**

(71) Applicant: **Samsung Electronics Co., Ltd.**,
Suwon-si, Gyeonggi-do (KR)

(72) Inventor: **Ki-Byung Chai**, Seoul (KR)

(73) Assignee: **SAMSUNG ELECTRONICS CO., LTD.**,
Suwon-Si, Gyeonggi-Do (KR)

(**) Term: **14 Years**

(21) Appl. No.: **29/486,352**

(22) Filed: **Mar. 28, 2014**

(30) **Foreign Application Priority Data**

Oct. 2, 2013 (KR) 30-2013-0050143

(51) **LOC (10) Cl.** **16-01**

(52) **U.S. Cl.**
USPC **D16/202**

(58) **Field of Classification Search**
USPC D16/200, 202–206, 208, 218, 219, 242;
348/373–376; 396/535, 539–541
CPC G03B 15/03; G03B 17/02; G03B 17/04;
G03B 17/56; G03B 19/04; H04N 5/2251;
H04N 5/2252; H04N 5/2253; H04N 5/2254;
H04N 2101/00

See application file for complete search history.

(56) **References Cited**

U.S. PATENT DOCUMENTS

D669,514 S * 10/2012 Ham D16/202
D669,928 S * 10/2012 Noh D16/202
D682,906 S * 5/2013 Uemachi et al. D16/202
D684,203 S * 6/2013 Uemachi D16/202
D689,111 S * 9/2013 Kobayashi D16/202

D692,044 S * 10/2013 Uemachi et al. D16/219
D695,329 S * 12/2013 Fujita et al. D16/202
D698,848 S * 2/2014 Uemachi et al. D16/219
D707,742 S * 6/2014 Imamizu D16/202
8,810,724 B2 * 8/2014 Ikezawa 348/374
D712,950 S * 9/2014 Kwon et al. D16/202
D717,353 S * 11/2014 Kobayashi et al. D16/202
2007/0212062 A1 * 9/2007 Saiki et al. 396/535

* cited by examiner

Primary Examiner — Susan E Krakower

Assistant Examiner — Ramzi Almatrahi

(74) *Attorney, Agent, or Firm* — Ladas & Parry LLP

(57) **CLAIM**

The ornamental design for a camera, as shown and described.

DESCRIPTION

FIG. 1 is a front perspective view of a camera showing my new design;

FIG. 2 is a front view thereof;

FIG. 3 is a rear view thereof;

FIG. 4 is a left-side view thereof;

FIG. 5 is a right-side view thereof;

FIG. 6 is a top view thereof;

FIG. 7 is a bottom view thereof;

FIG. 8 is an enlarged view of the encircled portion as shown in FIG. 1;

FIG. 9 is an enlarged view of the encircled portion as shown in FIG. 3; and,

FIG. 10 is an enlarged view of the encircled portion as shown in FIG. 6.

The broken lines depict portions of a camera in which the design is embodied and form no part of the claimed design.

The dot-dash broken lines encircling portions of the claimed design that are illustrated in enlargements form no part of the claimed design.

1 Claim, 7 Drawing Sheets

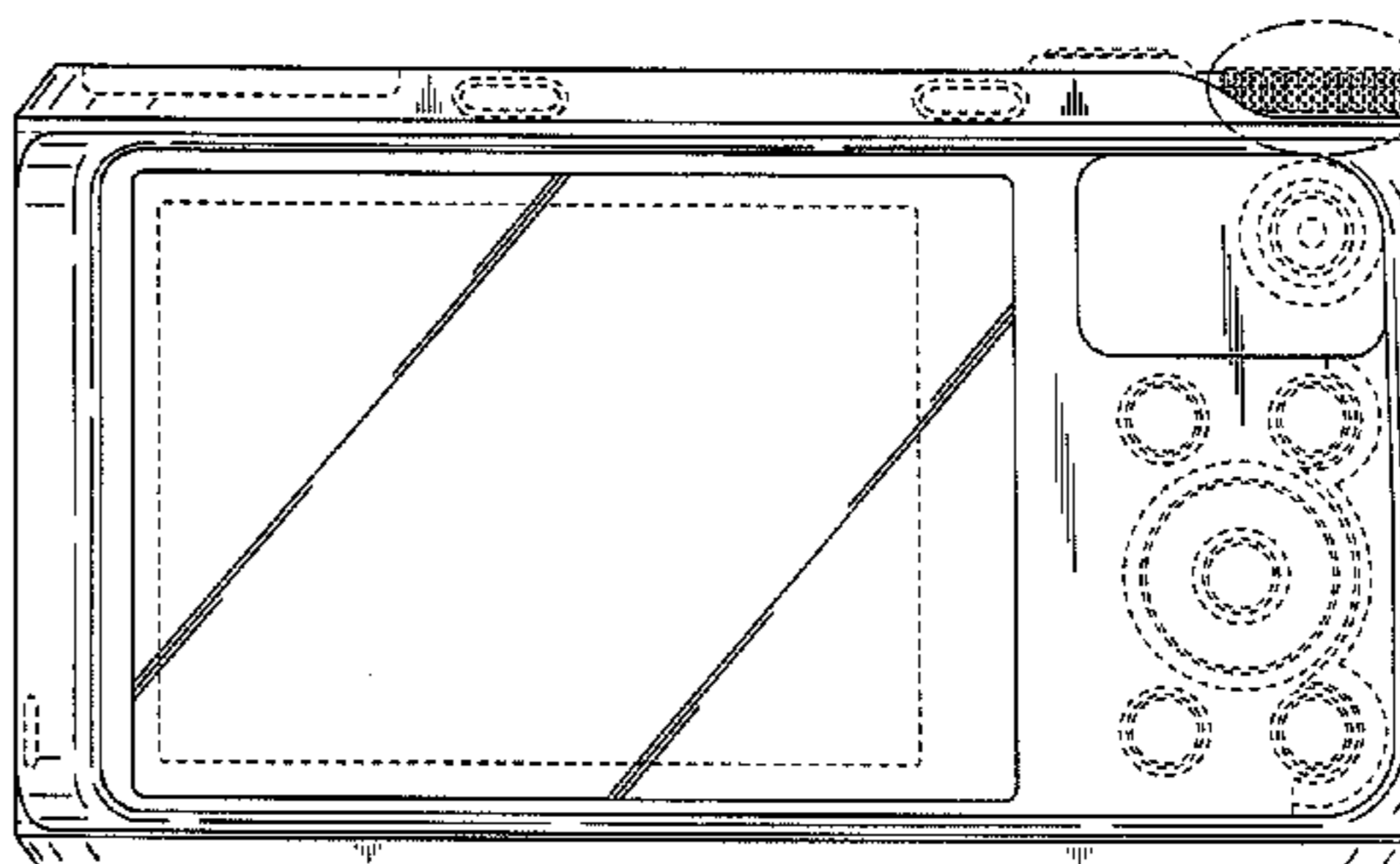
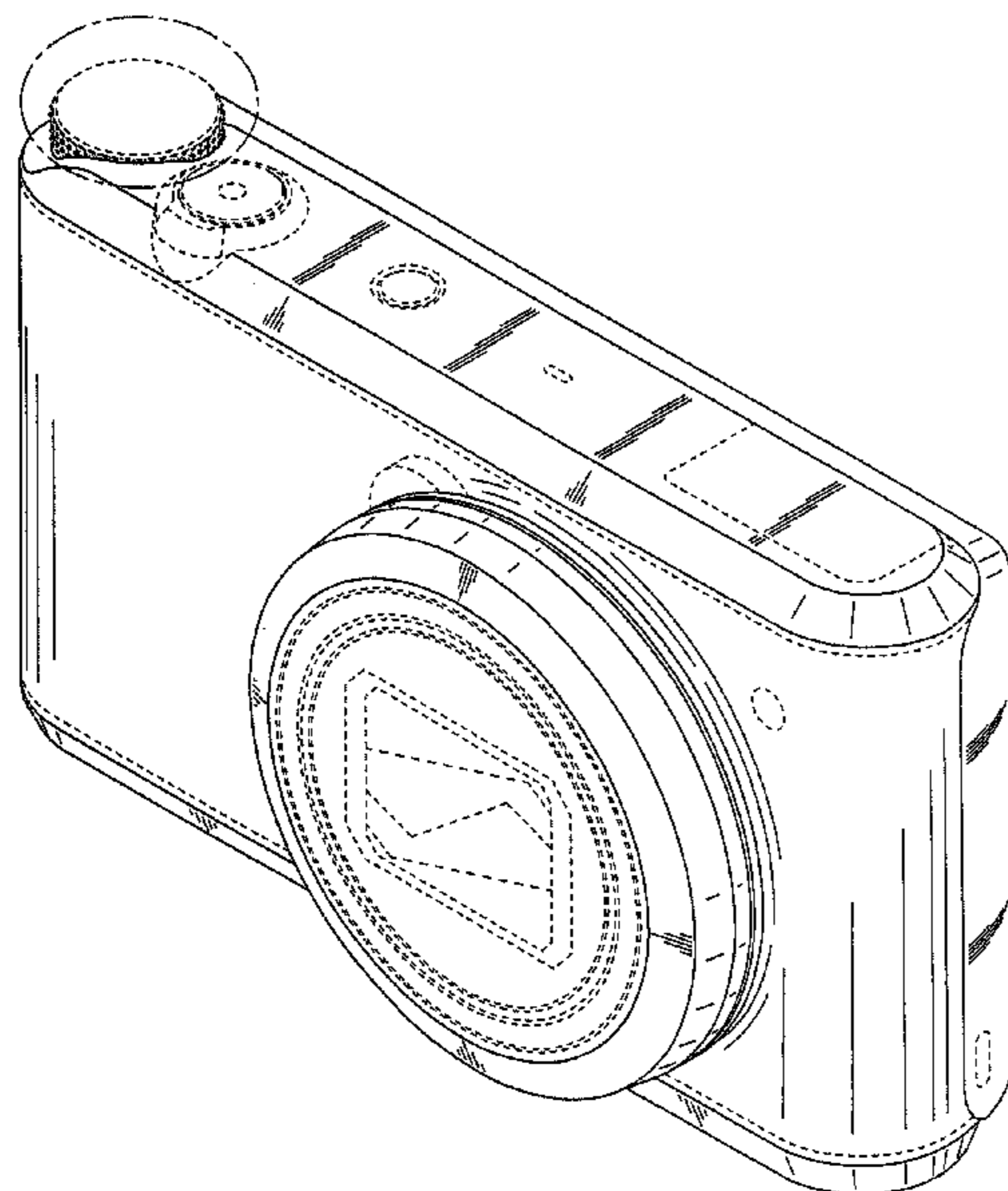


FIG.1

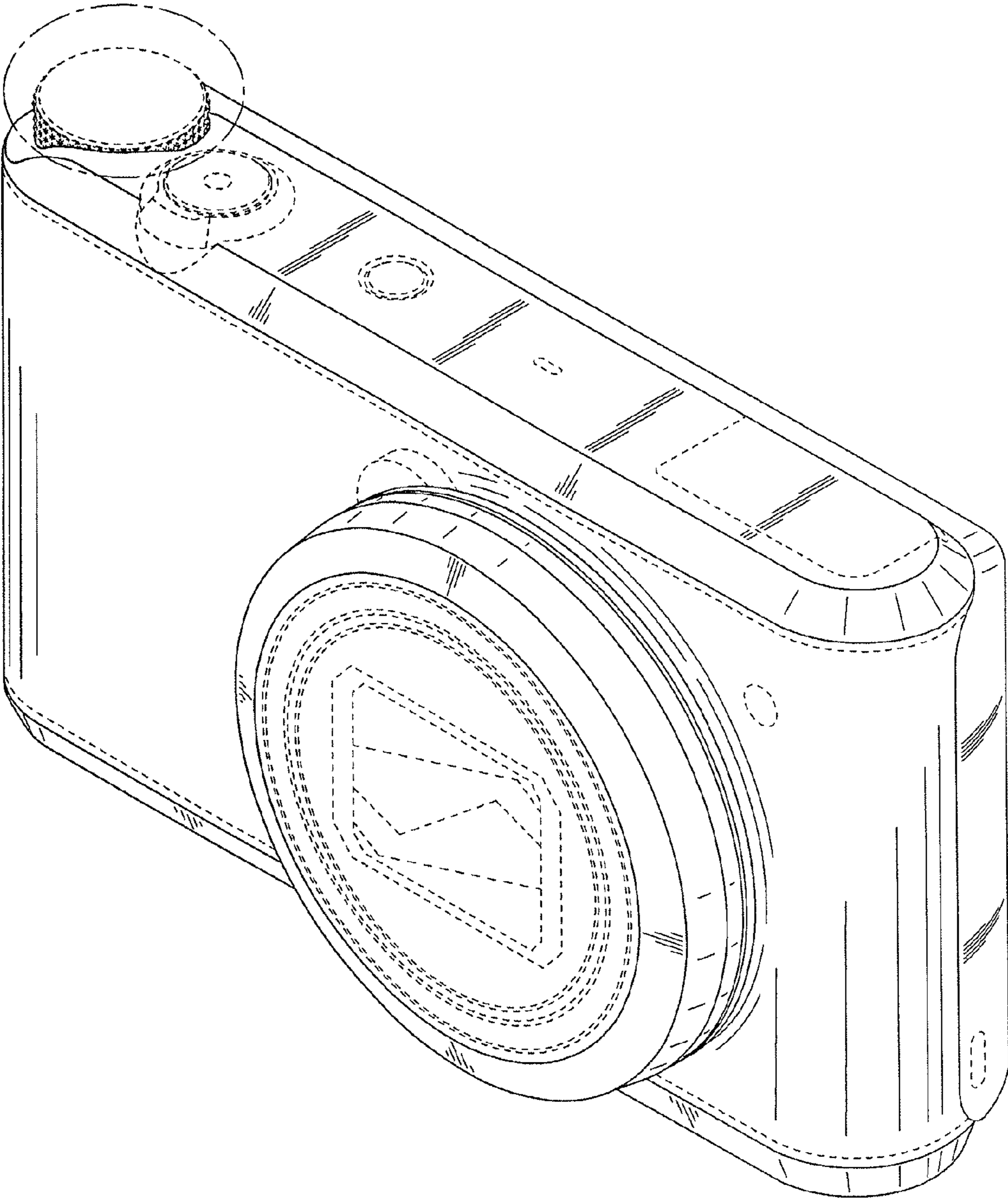


FIG.2

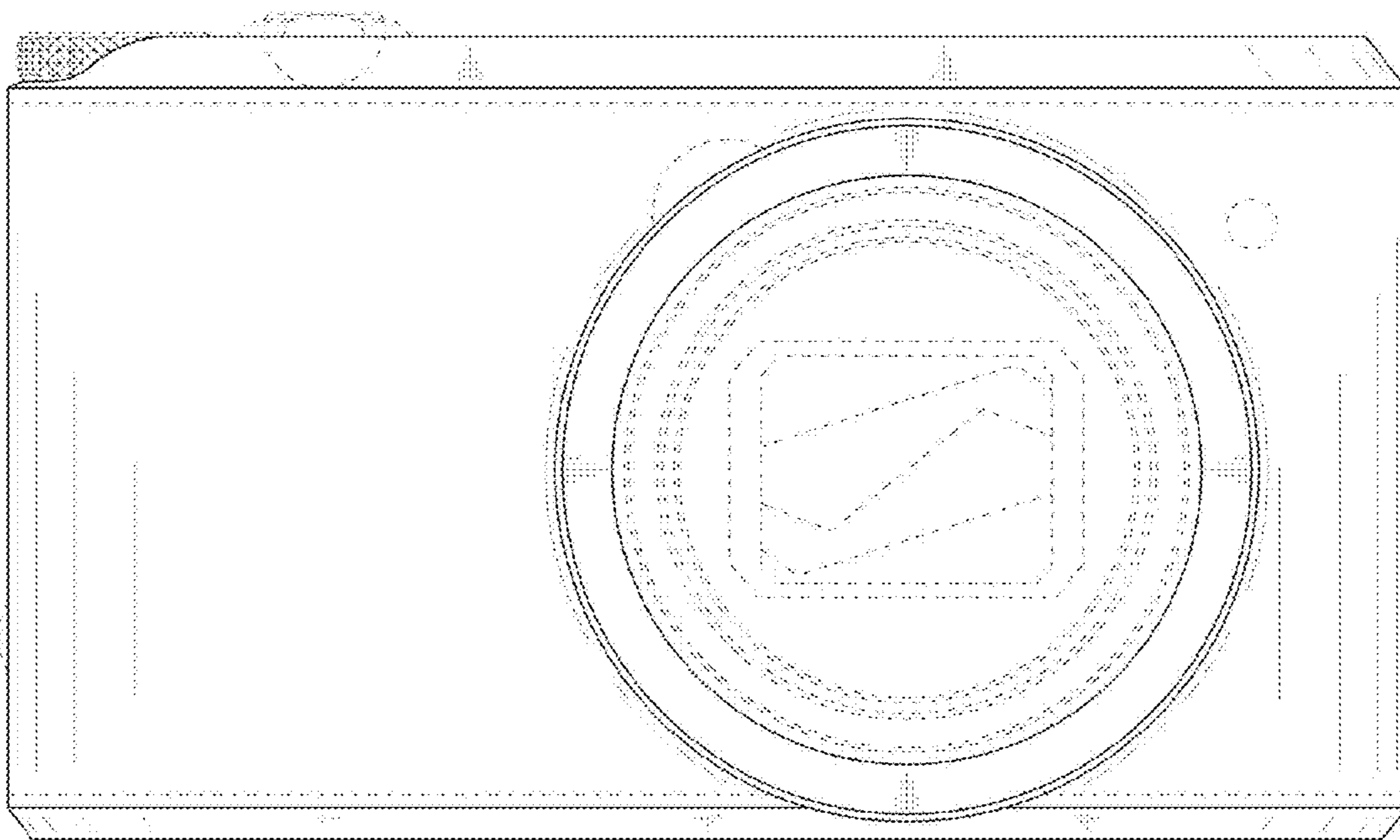


FIG.3

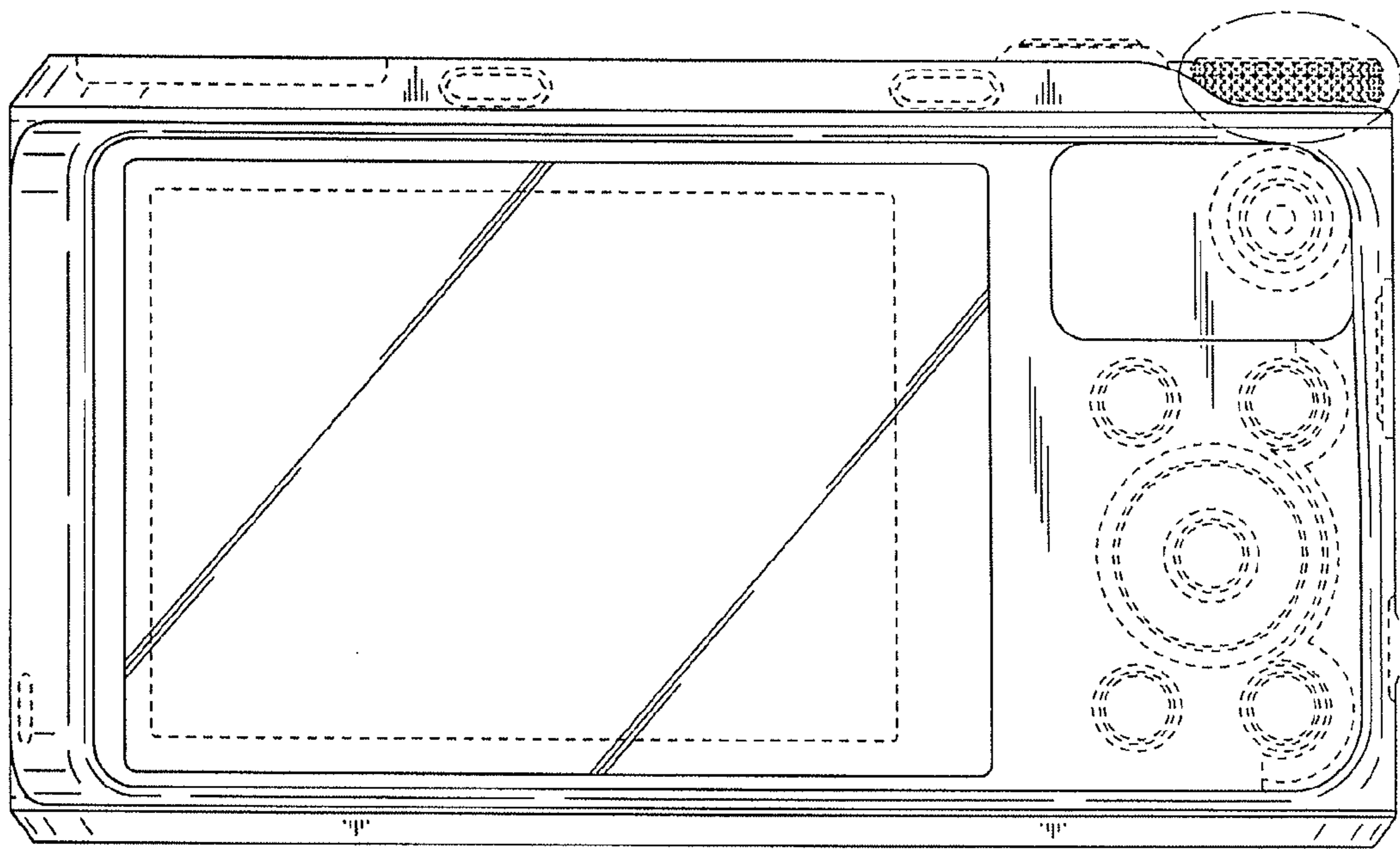


FIG.4

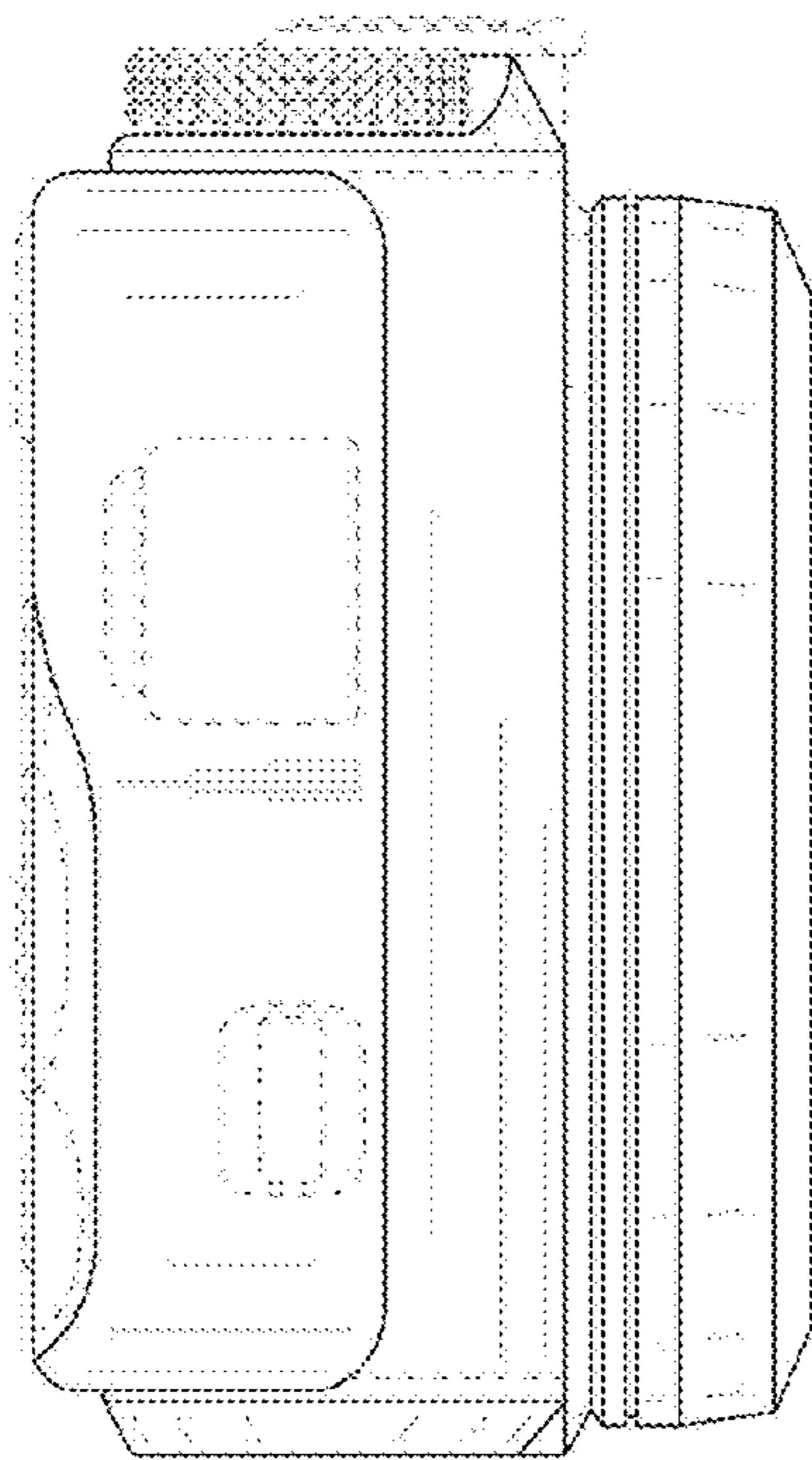


FIG.5

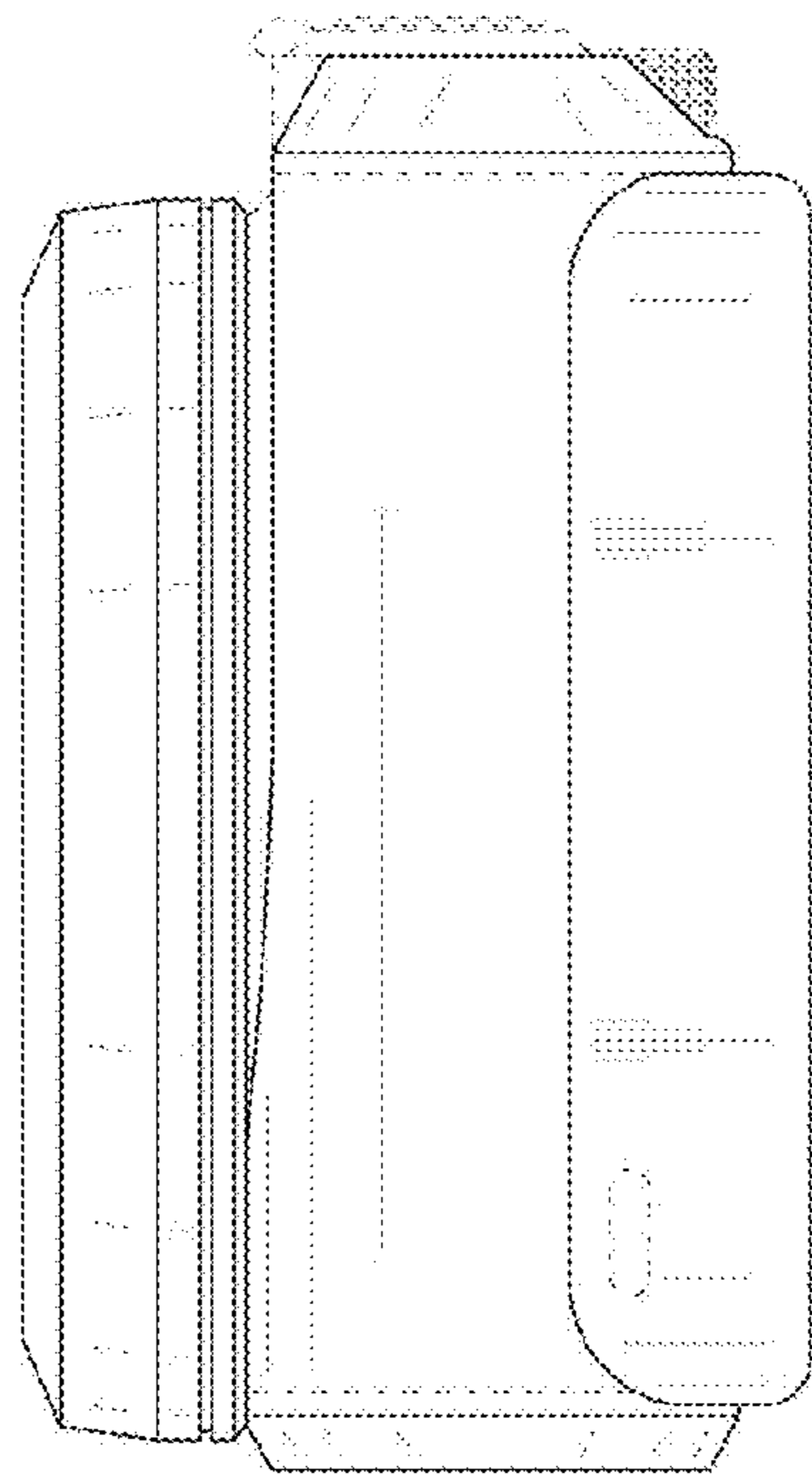


FIG.6

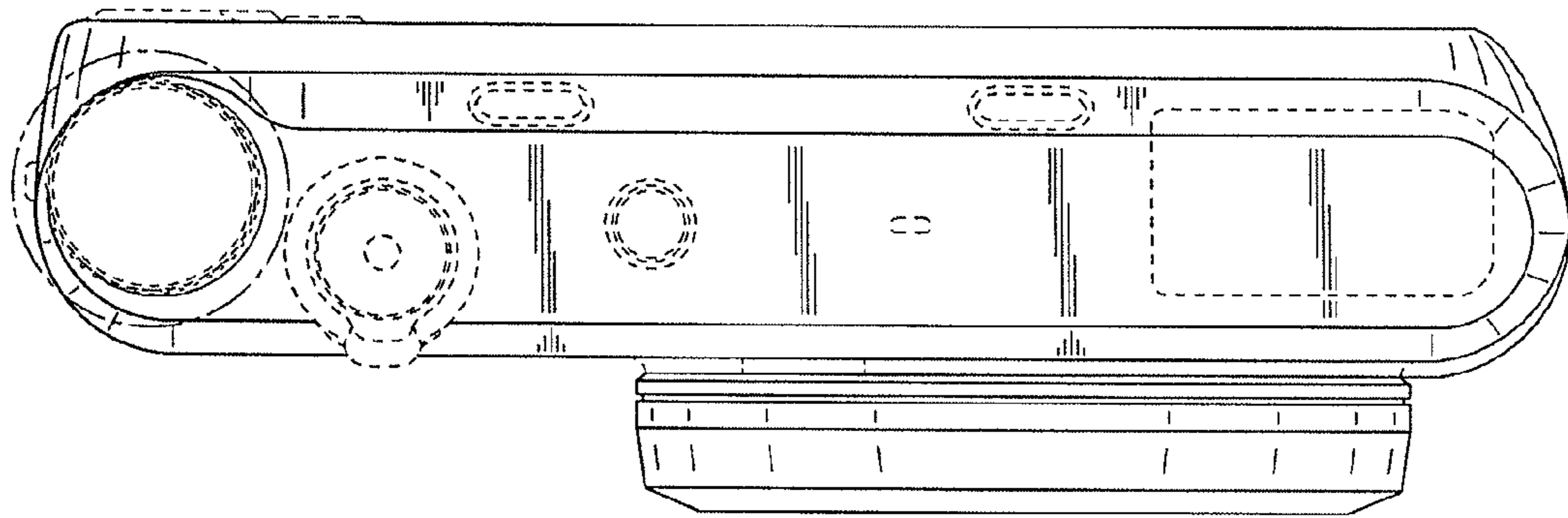


FIG.7

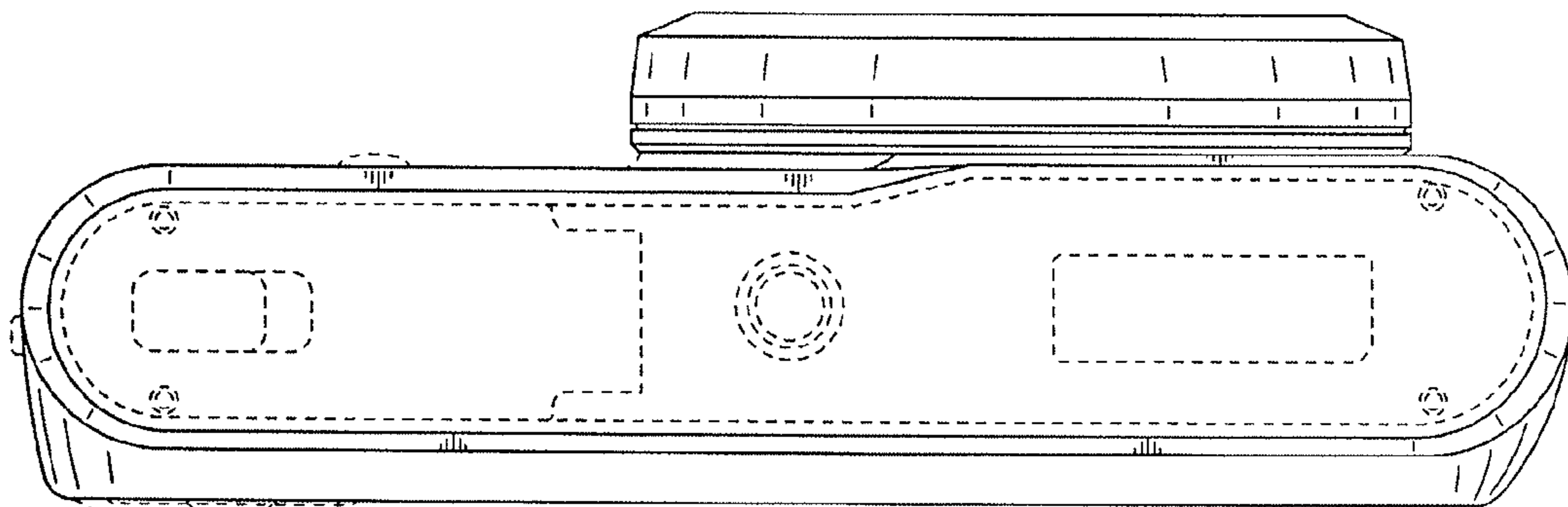


FIG.8

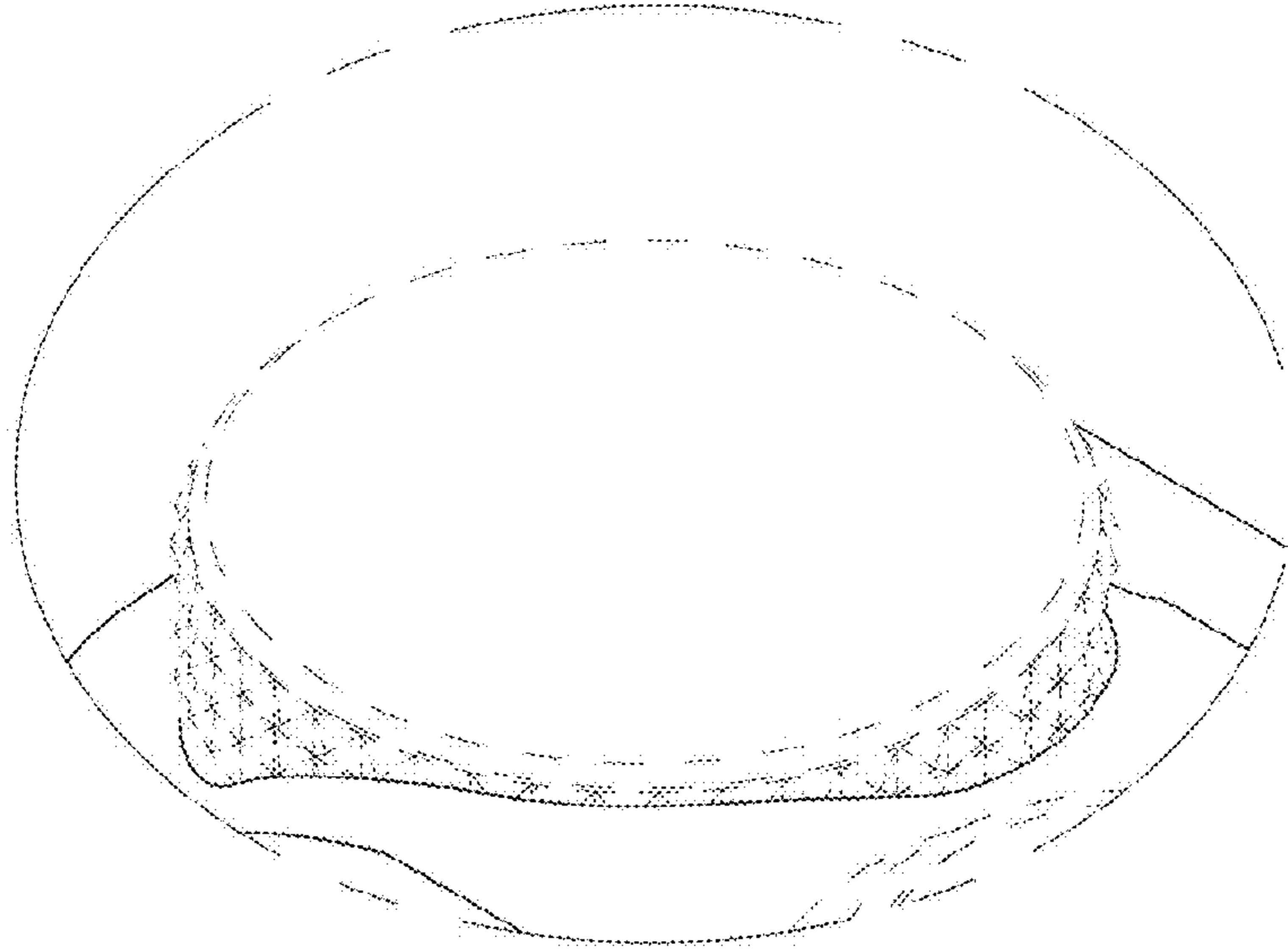


FIG.9

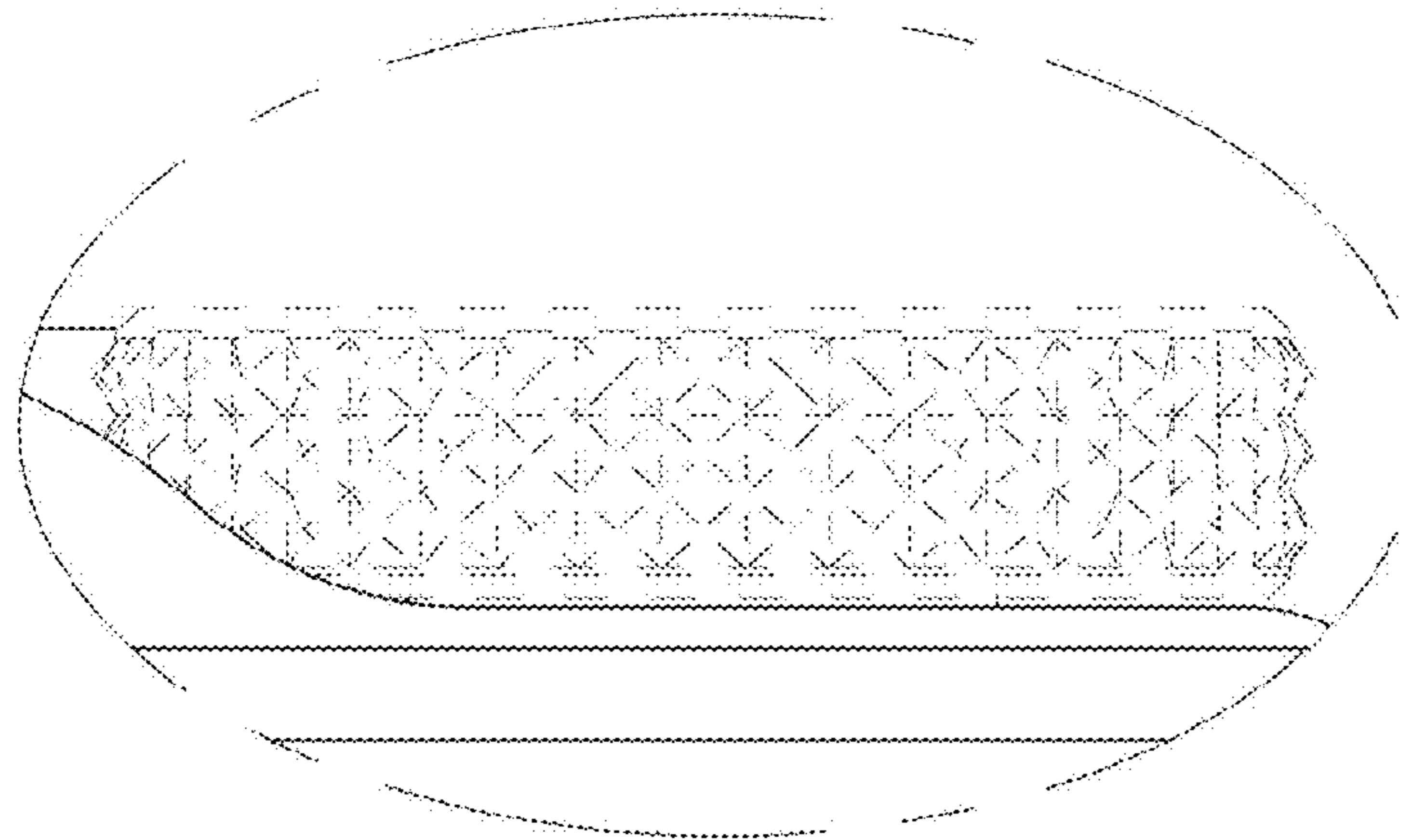


FIG. 10

