



US00D753202S

(12) **United States Design Patent**
Traver

(10) **Patent No.:** **US D753,202 S**
(45) **Date of Patent:** **** Apr. 5, 2016**

- (54) **TRACK LOCKING HANDLE FOR A WELDING TRACTOR**
- (71) Applicant: **LINCOLN GLOBAL, INC.**, City of Industry, CA (US)
- (72) Inventor: **Richard Dean Traver**, San Diego, CA (US)
- (73) Assignee: **LINCOLN GLOBAL, INC.**, City of Industry, CA (US)
- (**) Term: **14 Years**
- (21) Appl. No.: **29/472,389**
- (22) Filed: **Nov. 12, 2013**
- (51) **LOC (10) Cl.** **15-09**
- (52) **U.S. Cl.**
USPC **D15/144**
- (58) **Field of Classification Search**
USPC D8/316; D14/349; D15/144, 144.1, D15/144.2
See application file for complete search history.

(56) **References Cited**

U.S. PATENT DOCUMENTS

1,114,793	A	10/1914	Murray	
3,852,943	A	12/1974	Healy	
4,153,142	A	5/1979	Spisz	
4,282,771	A	8/1981	Grube	
D272,743	S *	2/1984	Knox	D15/144
D274,914	S *	7/1984	Bouman	D15/144
D275,292	S *	8/1984	Bouman	D15/144
D275,293	S *	8/1984	Bouman	D15/144
4,515,533	A	5/1985	Gomez	
D280,329	S *	8/1985	Bouman	D15/144
D289,823	S *	5/1987	Chaney	D15/144
D297,783	S *	9/1988	Chaney	D15/144
4,913,772	A *	4/1990	Taylor	B29C 65/1432 156/499
D357,263	S *	4/1995	Soderholm	D15/144.2
D364,148	S *	11/1995	Jasinski	D14/349
D418,490	S *	1/2000	Jobs	D14/351

D425,530	S *	5/2000	Lafitte	D15/144
6,479,795	B1 *	11/2002	Albrecht	B23K 9/124 219/136
D467,257	S *	12/2002	Andersson	D15/144
D482,376	S *	11/2003	Jeter	D15/144
D484,897	S *	1/2004	Hohenshelt	D15/144.1
D485,268	S *	1/2004	Andre	D14/349
D497,163	S *	10/2004	Andre	D14/349
D511,163	S *	11/2005	Su	D14/349
D518,078	S *	3/2006	Persson	D15/144.1
D520,038	S *	5/2006	Ljungfeldt	D15/144.1
D556,798	S *	12/2007	Franco	D15/144
D569,883	S *	5/2008	Wang	D15/144
D569,884	S *	5/2008	Shu	D15/144
7,566,038	B2	7/2009	Scott	
D621,430	S *	8/2010	Christen	D15/144
D626,576	S *	11/2010	Gramatyka	D15/144
D629,028	S *	12/2010	Johnson	D15/144
D642,604	S *	8/2011	Rohrer	D15/144
D652,436	S *	1/2012	Ostlund	D15/144
D653,271	S *	1/2012	Kindig	D15/144
8,096,921	B2	1/2012	Hahn	

(Continued)

Primary Examiner — Patricia Palasik

(74) *Attorney, Agent, or Firm* — Pearne & Gordon LLP

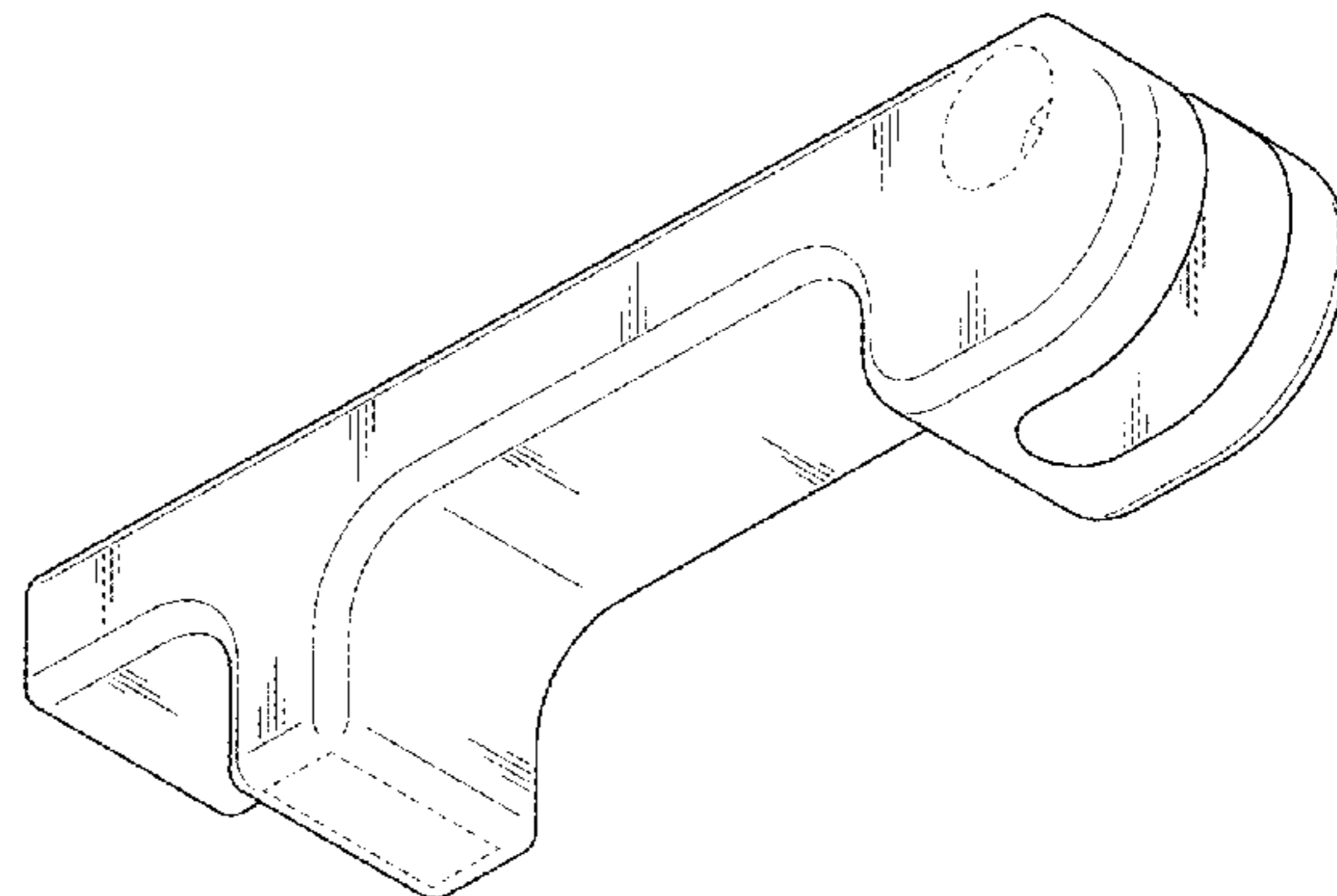
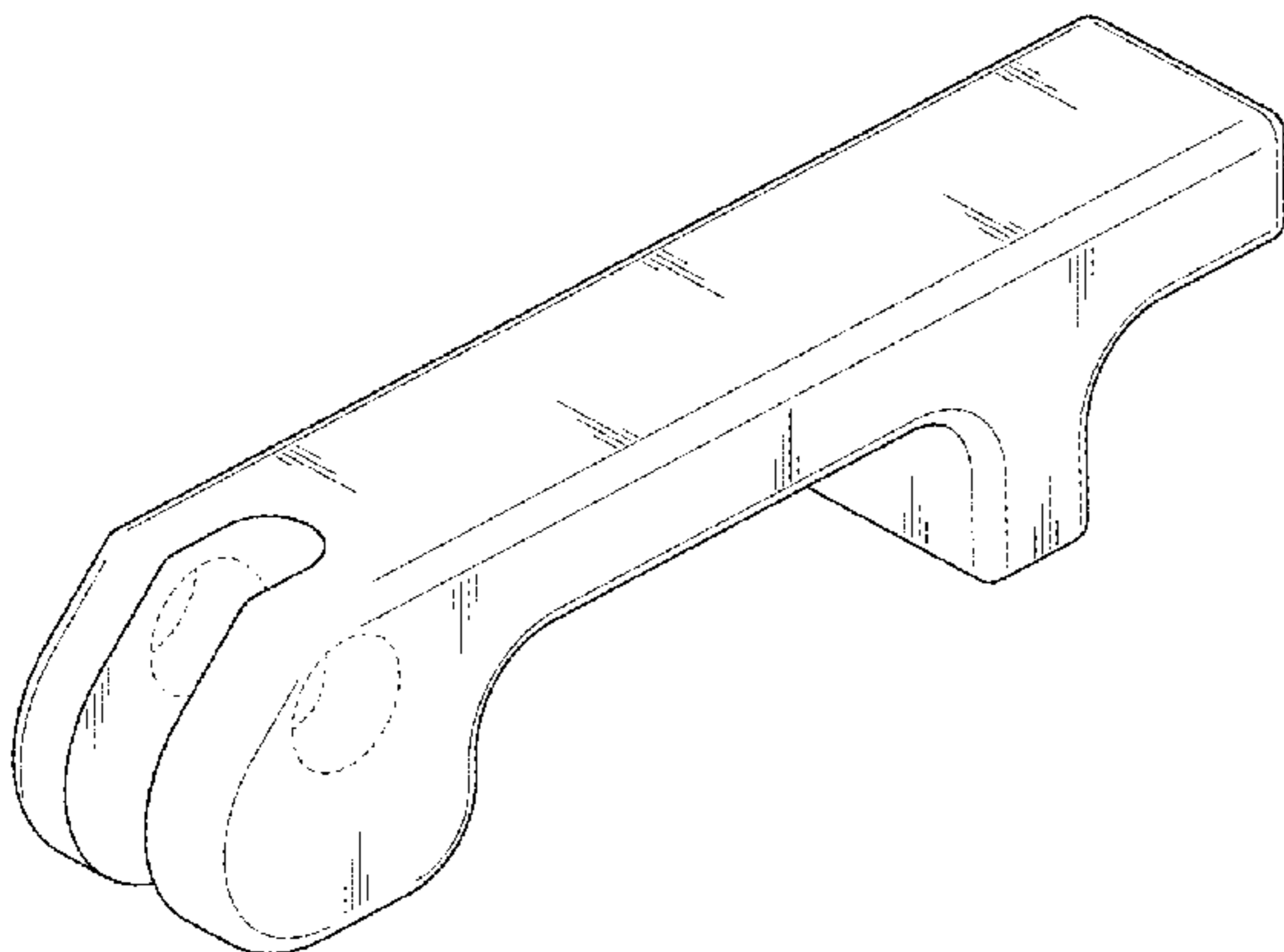
(57) **CLAIM**

The ornamental design for a track locking handle for a welding tractor, as shown and described.

DESCRIPTION

FIG. 1 is a top perspective view of a track locking handle for a welding tractor showing my new design with environment shown in broken lines;
 FIG. 2 is a bottom perspective view thereof;
 FIG. 3 is a right side view thereof;
 FIG. 4 is a left side view thereof;
 FIG. 5 is a front side view thereof;
 FIG. 6 is a rear view thereof;
 FIG. 7 is a top view thereof; and,
 FIG. 8 is a bottom view thereof.
 The broken lines shown are environmental only and form no part of the claimed design.

1 Claim, 3 Drawing Sheets



(56)

References Cited

U.S. PATENT DOCUMENTS

D654,519 S *	2/2012	Wujczak	D15/144	2007/0039934 A1 *	2/2007	Enyedy	B23K 9/1336 219/137.71
D654,521 S *	2/2012	Flubacher	D15/144	2008/0156783 A1 *	7/2008	Vanden Heuvel	B23K 9/125 219/137.2
D665,833 S *	8/2012	Raymond	D15/144	2009/0166345 A1 *	7/2009	Enyedy	B23K 9/133 219/137.2
8,393,059 B2	3/2013	Dunn		2009/0277882 A1 *	11/2009	Bornemann	B23K 10/00 219/121.39
D679,738 S *	4/2013	Segala	D15/144	2010/0314373 A1 *	12/2010	Patterson	B65H 51/14 219/136
D697,099 S *	1/2014	Berengut	D15/144	2014/0238965 A1 *	8/2014	Spisic	B23K 9/1087 219/132
D737,112 S *	8/2015	Han	D8/316	2015/0209908 A1 *	7/2015	Peters	B23K 26/1423 219/76.14
2004/0182845 A1 *	9/2004	Crisler, III	B23K 9/1006 219/130.1				
2005/0199606 A1 *	9/2005	Enyedy	B23K 9/1336 219/137.7				
2006/0207981 A1 *	9/2006	Diekmann	B23K 9/1336 219/137.2				

* cited by examiner

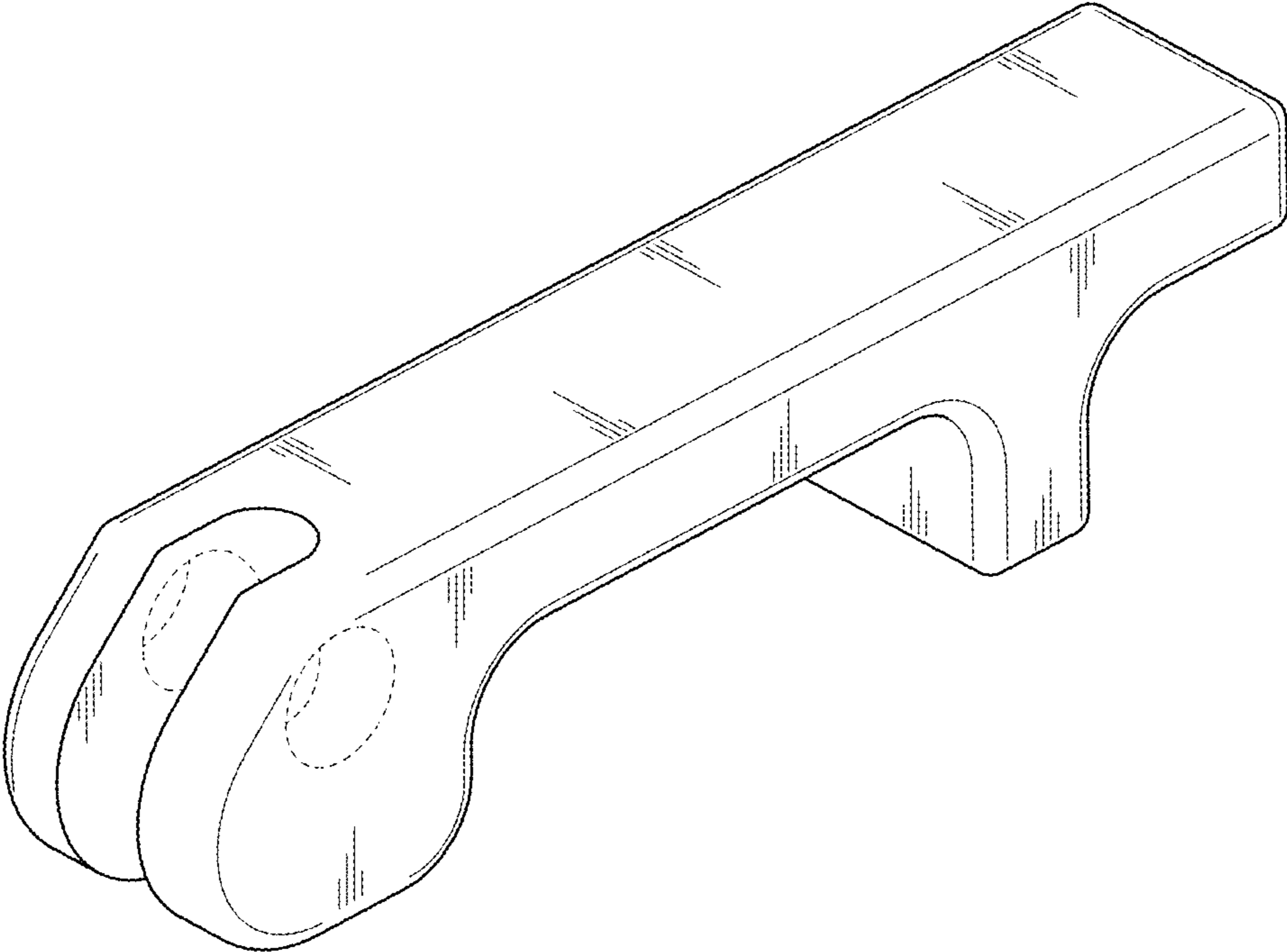


FIG. 1

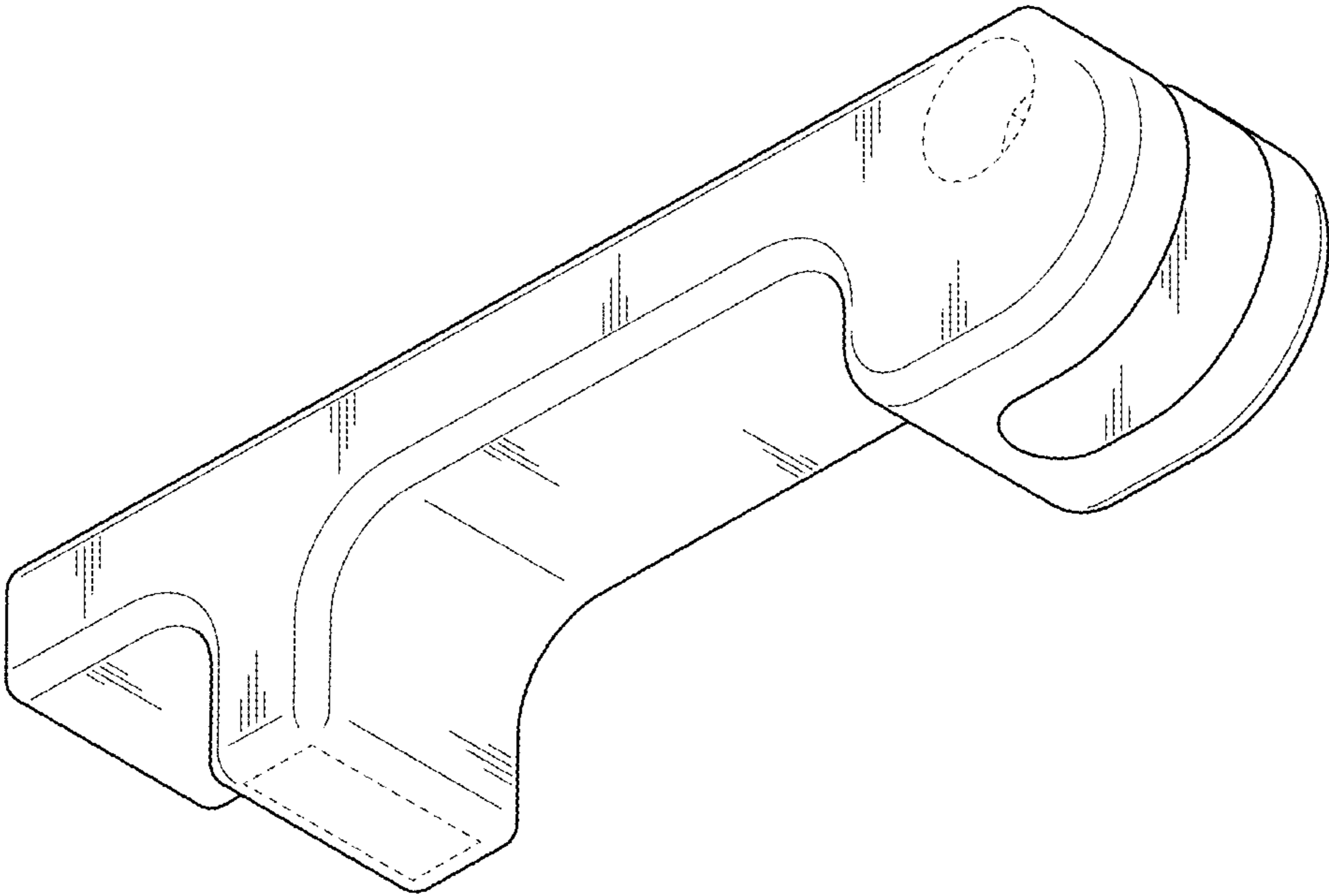


FIG. 2

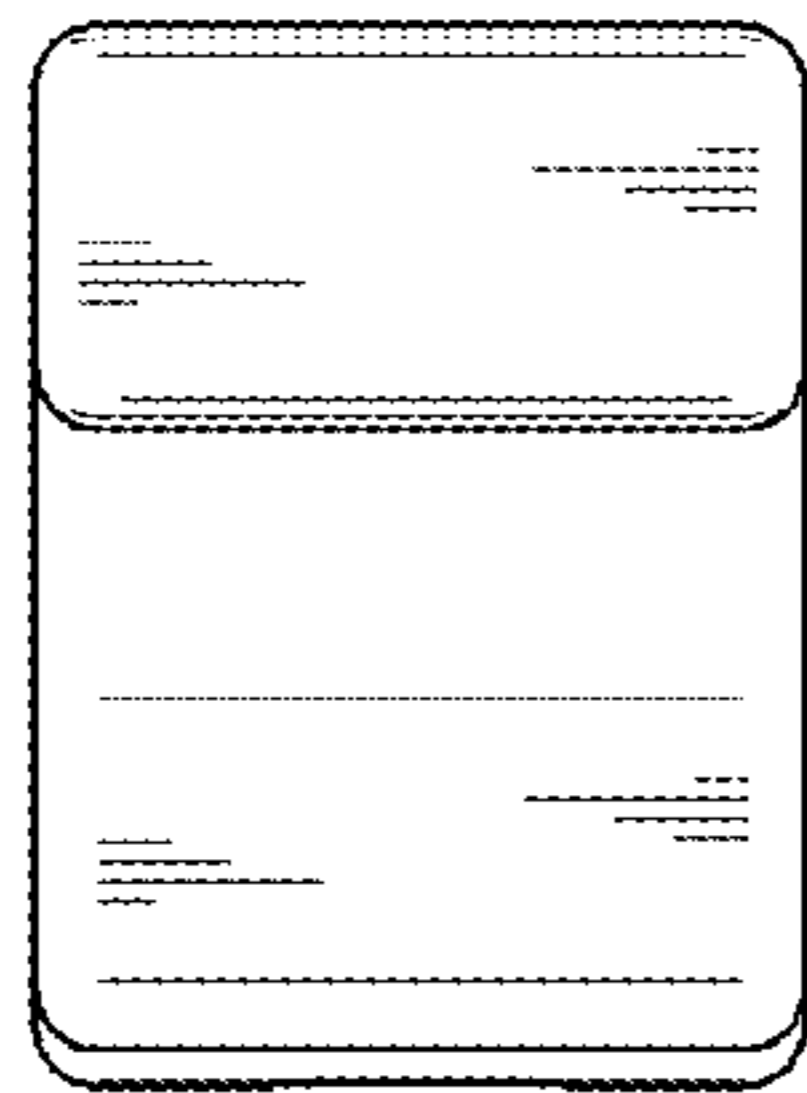


FIG. 3

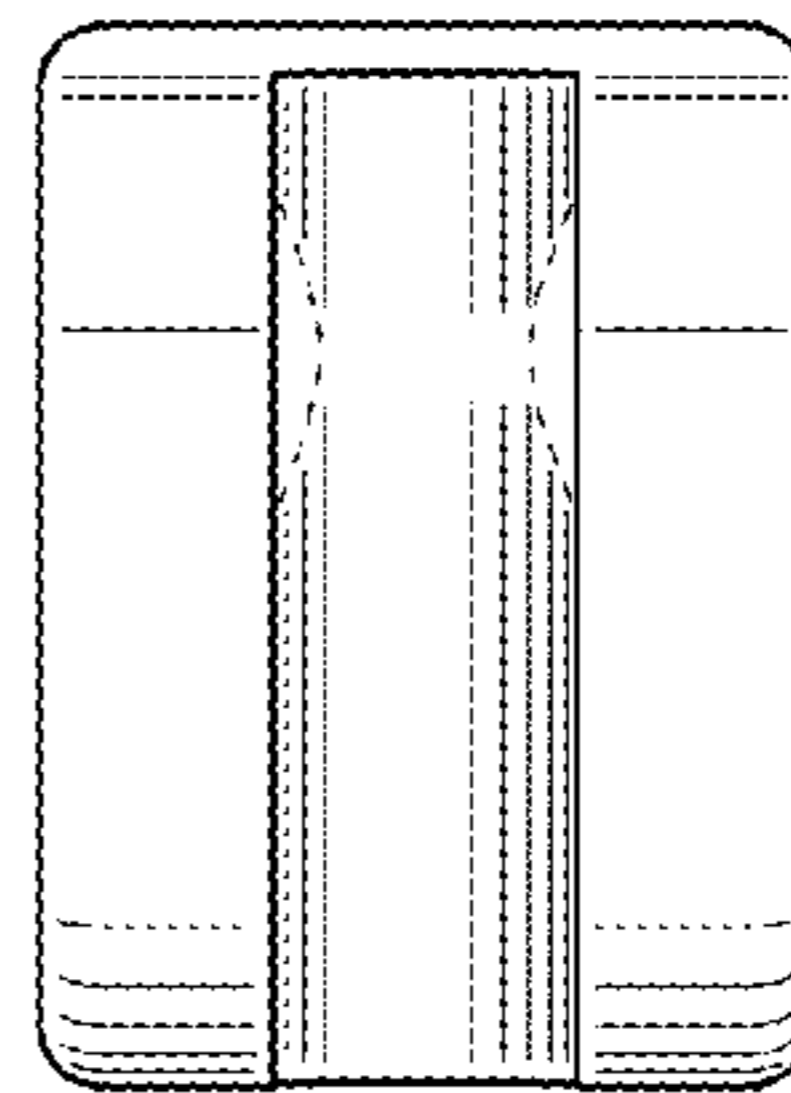


FIG. 4

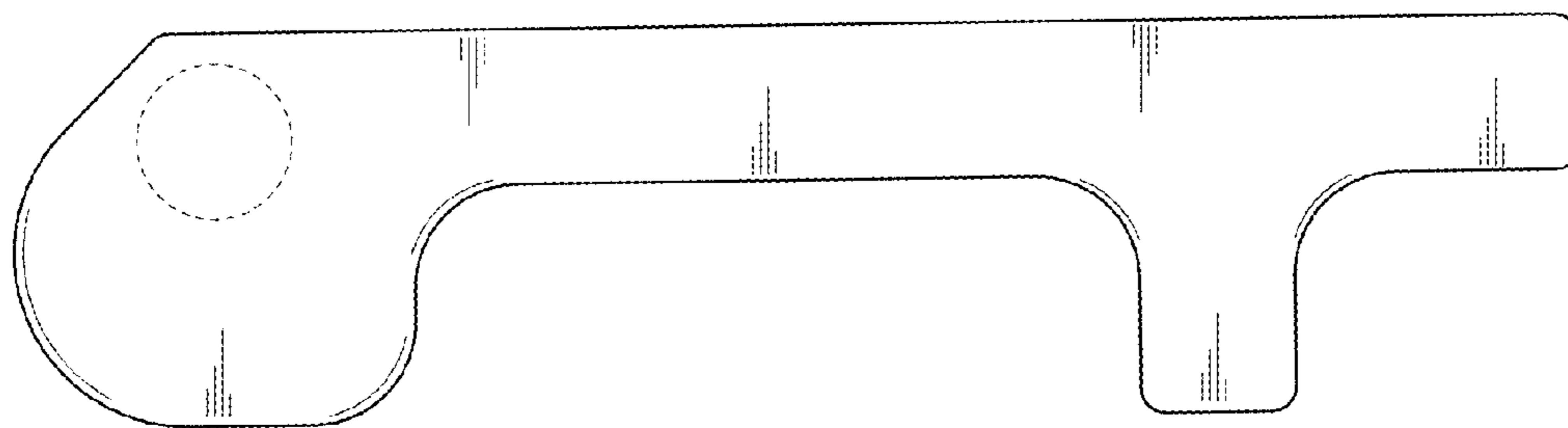


FIG. 5

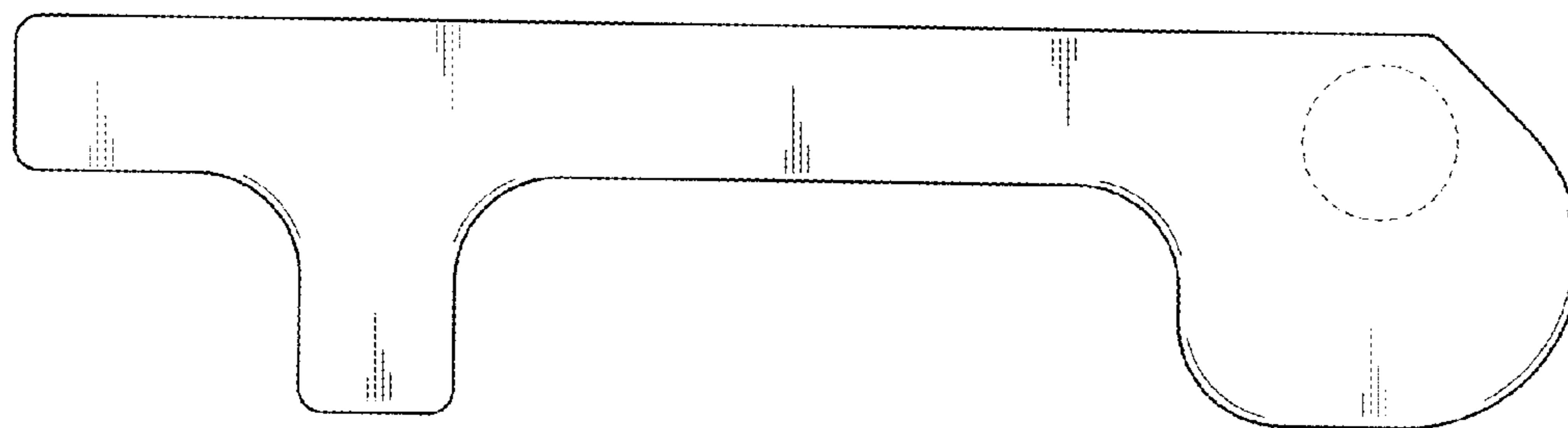


FIG. 6

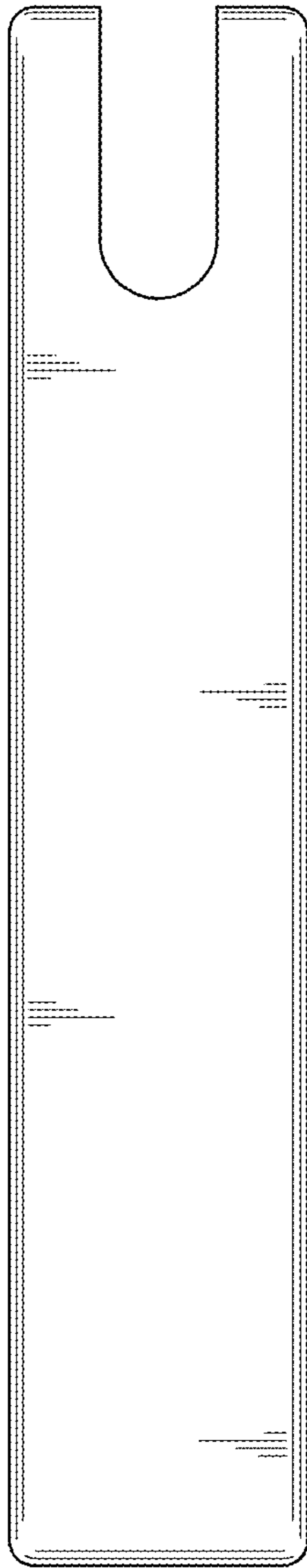


FIG. 7

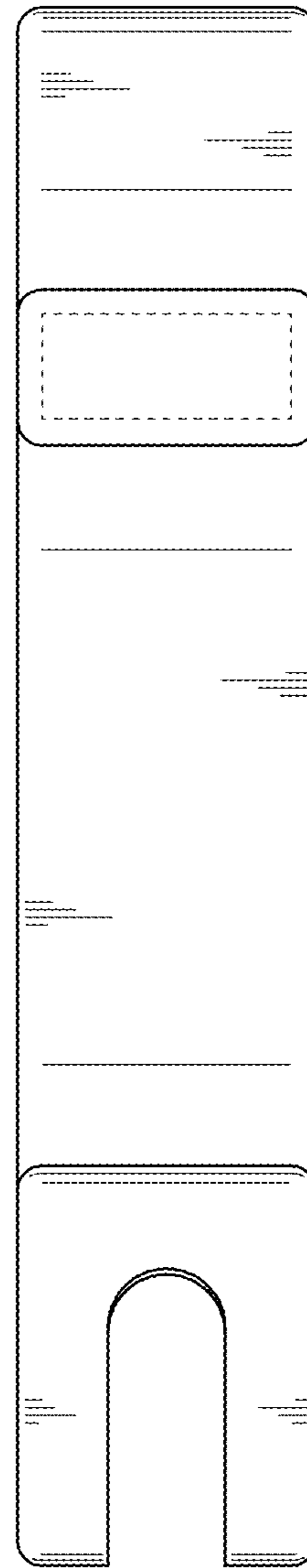


FIG. 8