



US00D753200S

(12) **United States Design Patent**
Hynek et al.

(10) **Patent No.:** **US D753,200 S**
(45) **Date of Patent:** **** Apr. 5, 2016**

(54) **HEADSTOCK COVER FOR A LATHE**

(71) Applicants: **Martin Hynek**, Plzen (CZ); **Miroslav Grach**, Plzen (CZ); **Simon Pusman**, Podbrdy (CZ); **Antonin Max**, Plzen (CZ); **Jakub Jirasko**, Tlustice (CZ)

(72) Inventors: **Martin Hynek**, Plzen (CZ); **Miroslav Grach**, Plzen (CZ); **Simon Pusman**, Podbrdy (CZ); **Antonin Max**, Plzen (CZ); **Jakub Jirasko**, Tlustice (CZ)

(73) Assignee: **ZAPADOCESKA UNIVERSITA V PLZNI**, Plzen (CZ)

(**) Term: **14 Years**

(21) Appl. No.: **29/512,281**

(22) Filed: **Dec. 18, 2014**

(51) **LOC (10) Cl.** **15-09**

(52) **U.S. Cl.**
USPC **D15/130**

(58) **Field of Classification Search**
USPC D15/122, 127, 128, 129, 130
See application file for complete search history.

(56) **References Cited**

U.S. PATENT DOCUMENTS

- 3,721,279 A * 3/1973 Bowen B27C 7/00
142/1
- 3,995,524 A * 12/1976 Lederer B23B 3/30
82/125
- D252,575 S * 8/1979 Simmons D15/130
- D265,319 S * 7/1982 Watanabe D15/130
- 4,444,303 A * 4/1984 Burgess, Jr. B65G 27/00
198/346.1
- 4,548,115 A * 10/1985 Martin B26D 7/015
269/73
- 4,683,791 A * 8/1987 Demont B26D 5/22
83/16
- 4,742,739 A * 5/1988 Yamaguchi B23B 3/06
82/122
- 5,025,690 A * 6/1991 Myers B23Q 1/015
82/121
- 5,065,802 A * 11/1991 Peterson B23D 47/047

- 5,239,901 A * 8/1993 Lin B23Q 39/04
29/27 C
- 5,367,754 A * 11/1994 Sheehan B23B 3/161
29/27 C
- 5,392,501 A * 2/1995 Sonnek B23B 3/164
29/27 C
- D368,917 S * 4/1996 Isshiki D15/130
- 6,484,611 B1 * 11/2002 Grossmann B23B 3/168
82/117
- 6,745,654 B2 * 6/2004 Baumann B23Q 39/02
82/120
- 6,761,522 B2 * 7/2004 Jager B23Q 1/012
414/222.01
- D496,947 S * 10/2004 Baulk D15/130
- 7,013,544 B2 * 3/2006 Yasuda B23Q 7/1431
29/27 C
- 7,062,999 B2 * 6/2006 Hayashi B23B 3/06
82/122

(Continued)

* cited by examiner

Primary Examiner — Patricia Palasik

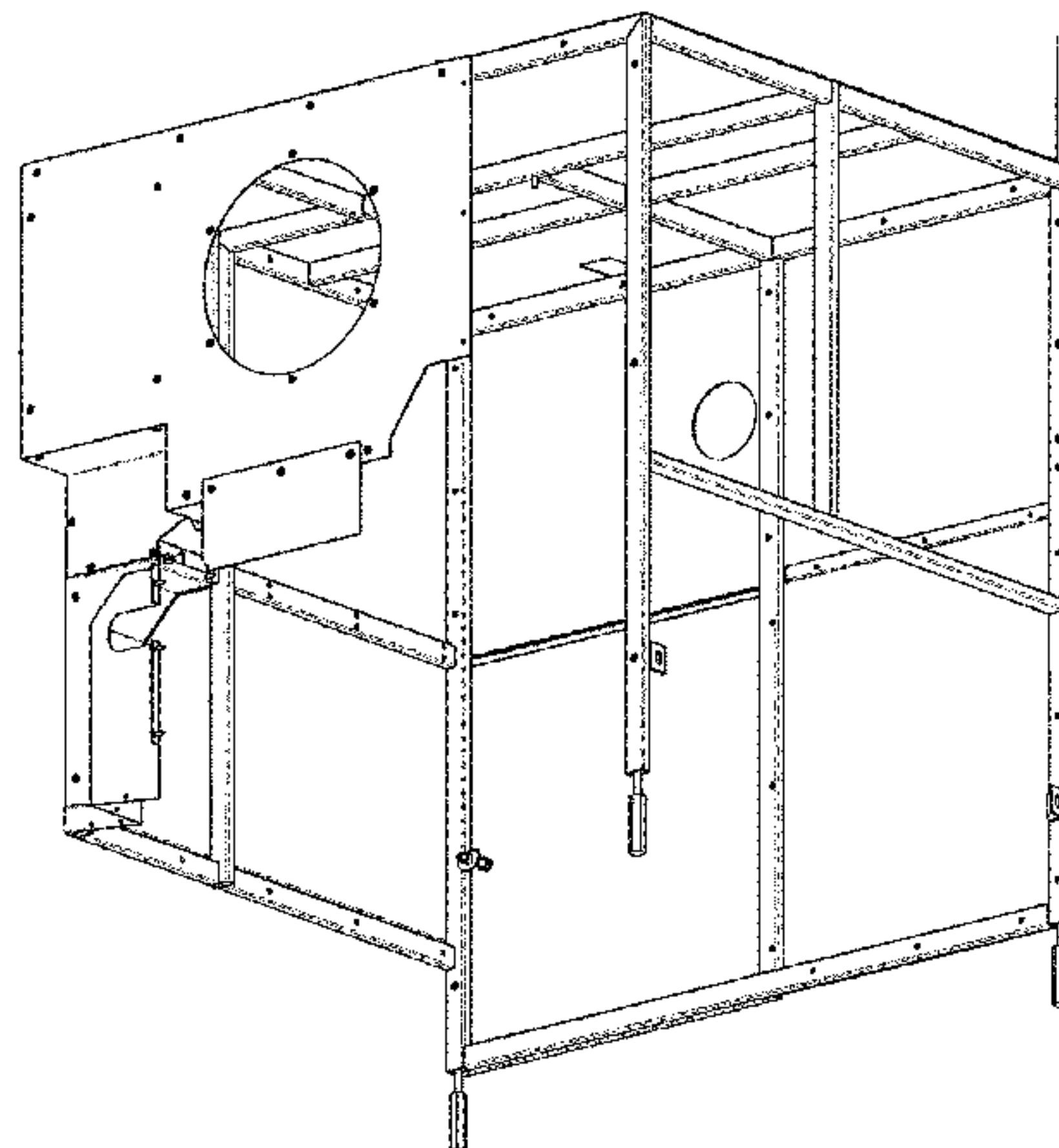
(57) **CLAIM**

The ornamental design for a headstock cover for a lathe, as shown and described.

DESCRIPTION

FIG. 1 is a front orthogonal view of a headstock cover for a lathe showing my new design;
FIG. 2 is a right orthogonal view thereof;
FIG. 3 is a left orthogonal view thereof;
FIG. 4 is a top orthogonal view thereof;
FIG. 5 is a rear orthogonal view thereof;
FIG. 6 is a bottom orthogonal view thereof;
FIG. 7 is a left perspective view thereof;
FIG. 8 is a right perspective view thereof;
FIG. 9 is a bottom perspective view thereof; and,
FIG. 10 is a left perspective thereof, where the frame of a headstock cover is shown removed for clarity of disclosure.

1 Claim, 10 Drawing Sheets



US D753,200 S

Page 2

(56)

References Cited

U.S. PATENT DOCUMENTS

7,419,460 B2 *	9/2008	Bonfert	B23Q 7/04 29/27 C
7,437,816 B1 *	10/2008	Kuo	B23Q 1/015 29/27 C
7,506,423 B2 *	3/2009	Iwabuchi	B23B 3/065 29/27 C
8,051,543 B2 *	11/2011	Arisue	B23B 3/065 29/27 C
8,087,332 B2 *	1/2012	Grossmann	B23B 3/06 82/121
8,241,191 B2 *	8/2012	Okabe	B23Q 3/1572 29/27 R
8,430,227 B2 *	4/2013	Sueoka	B23Q 39/04 198/339.1
D681,699 S *	5/2013	Lin	D15/122
8,448,550 B2 *	5/2013	Hessbrueggen	B23B 3/30 82/122
8,459,156 B2 *	6/2013	Pu	B23B 23/00 82/129
8,850,936 B2 *	10/2014	Len	B23B 5/00 82/104

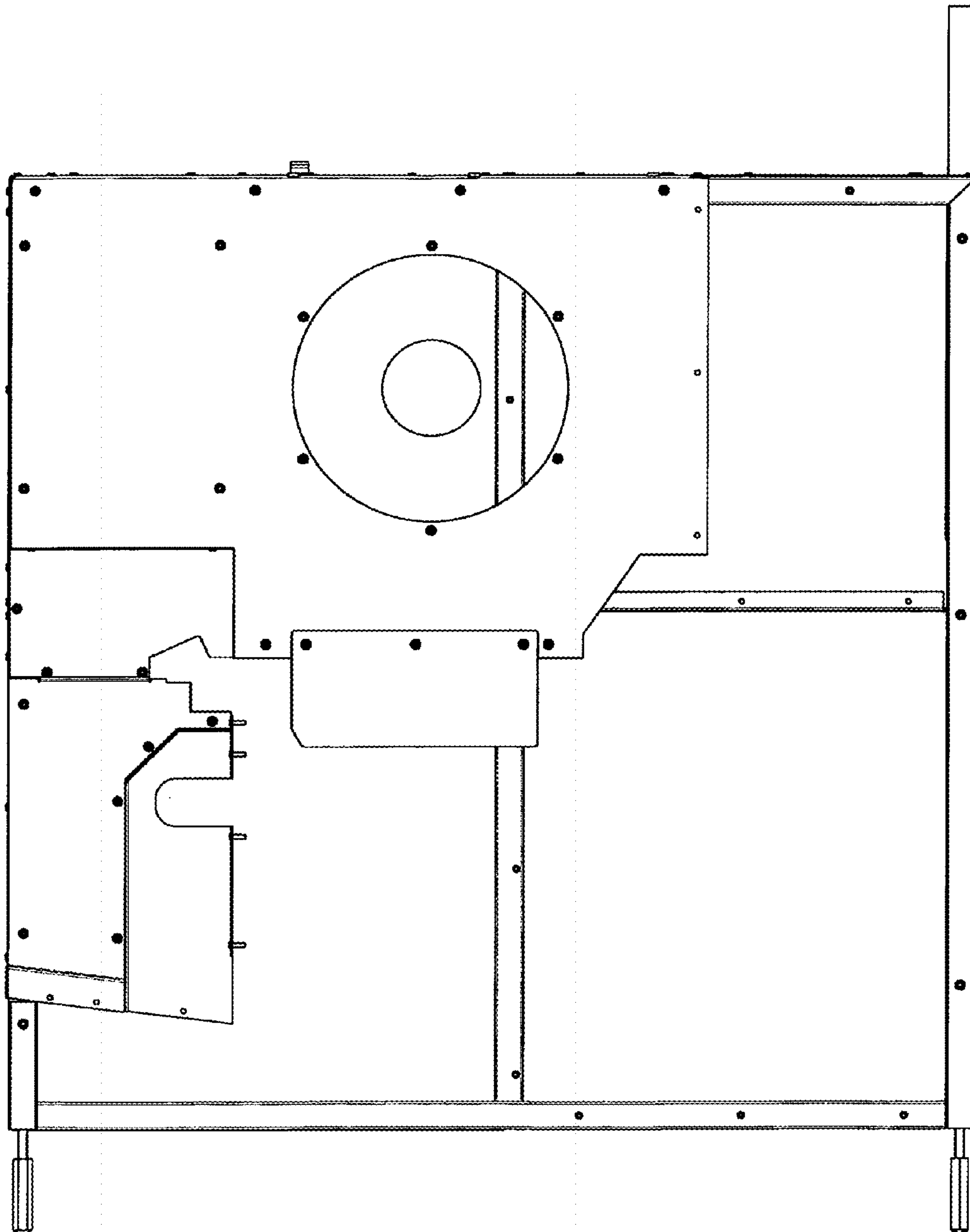


FIGURE 1

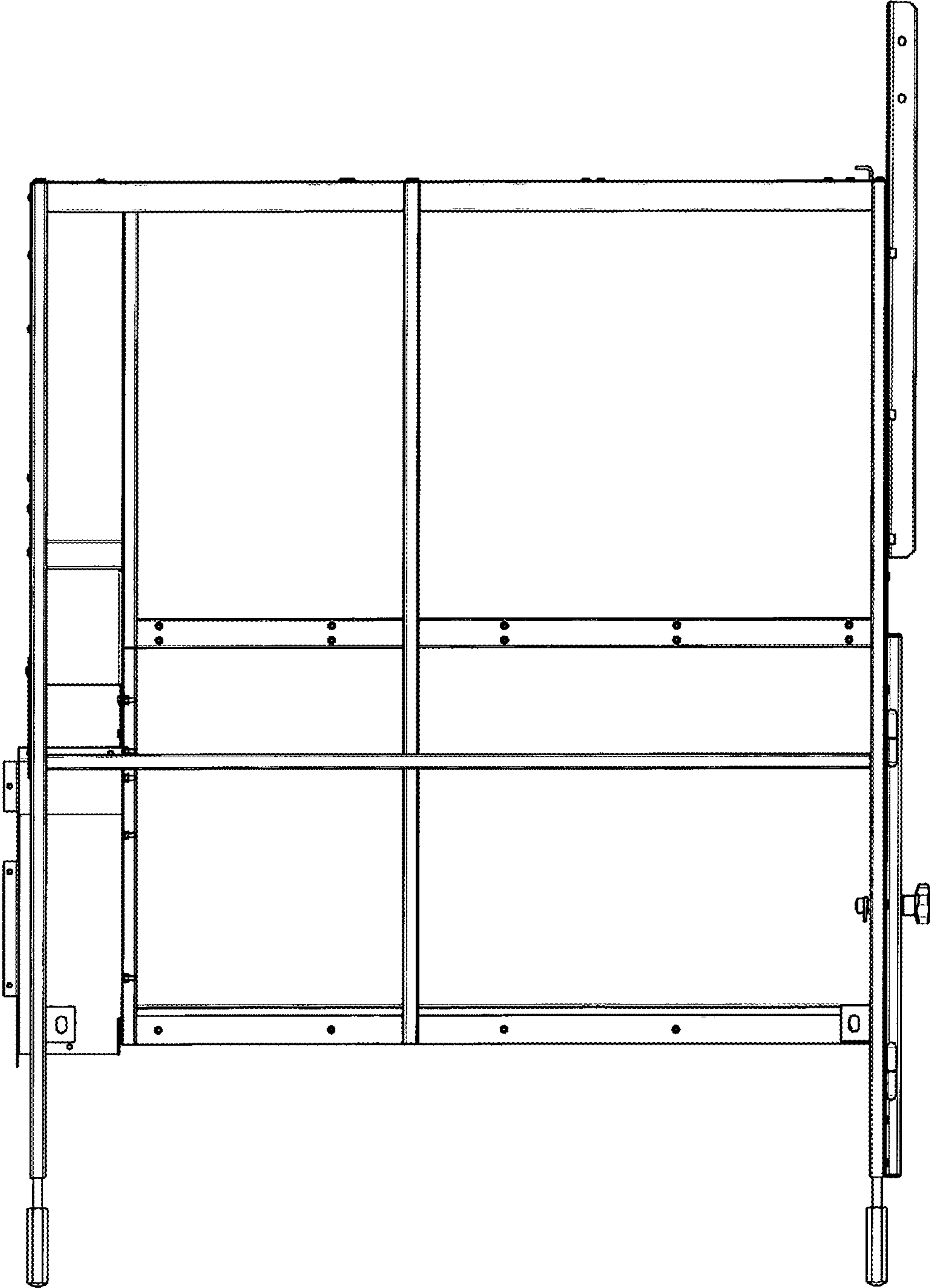


FIGURE 2

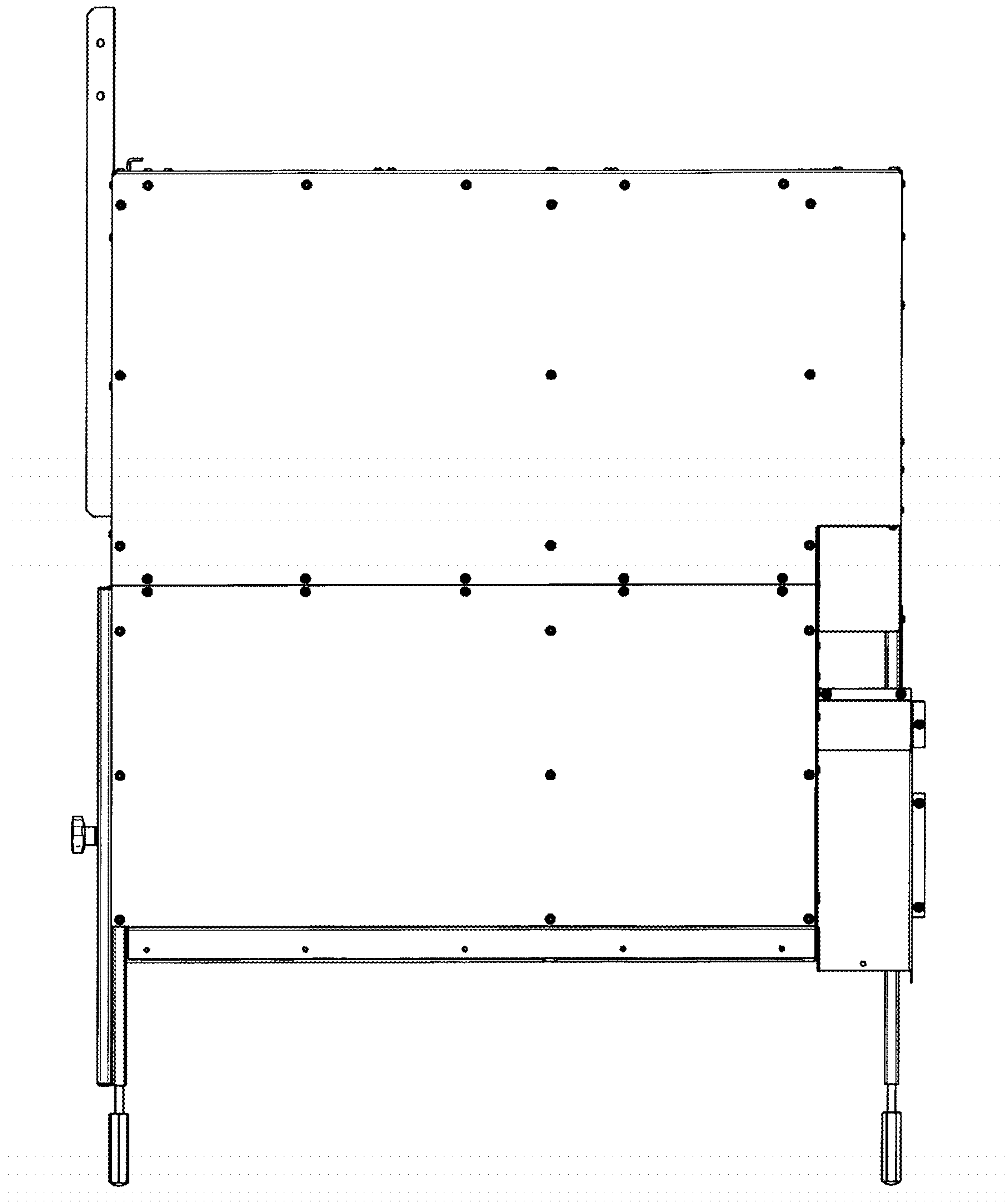


FIGURE 3

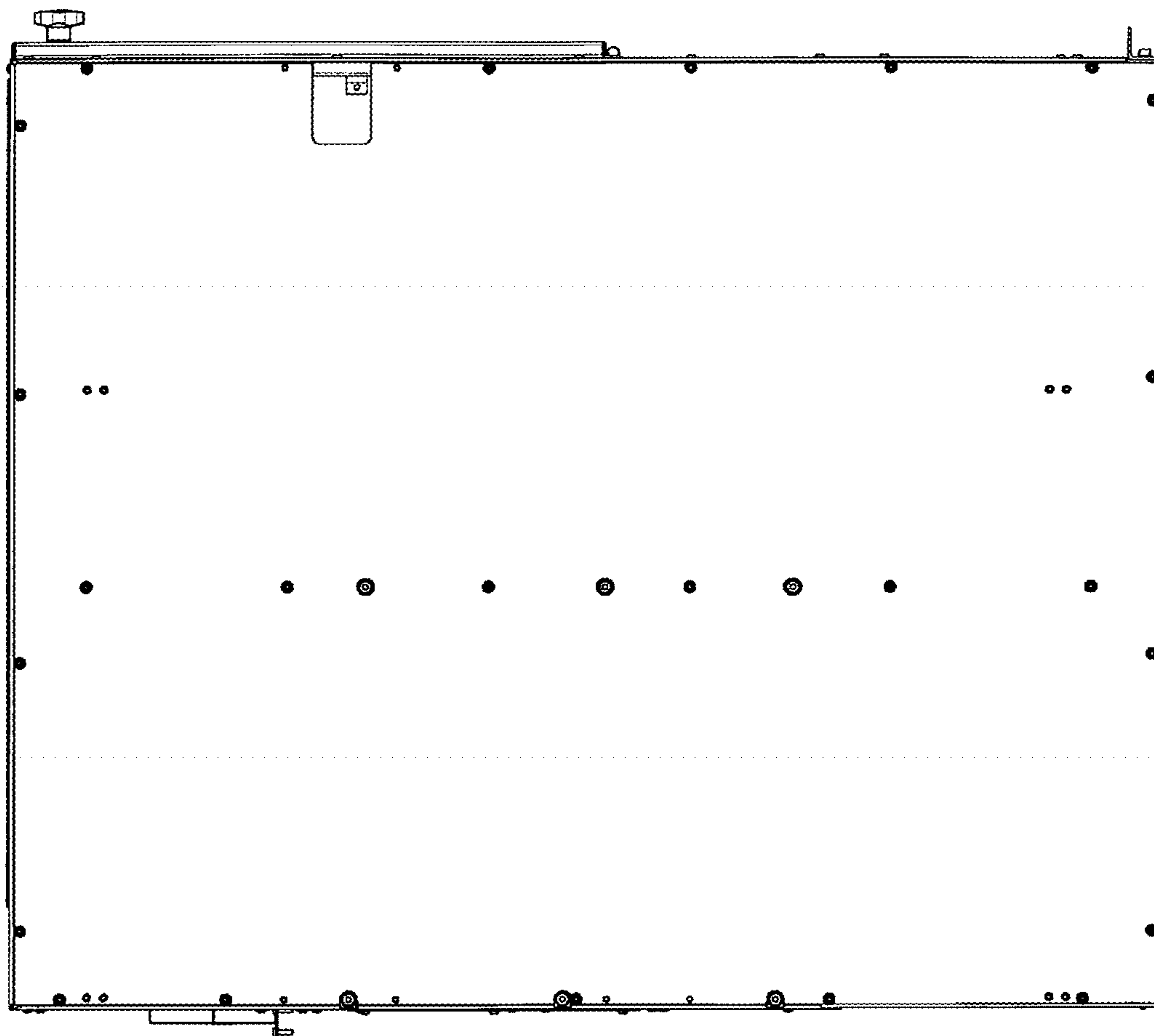


FIGURE 4

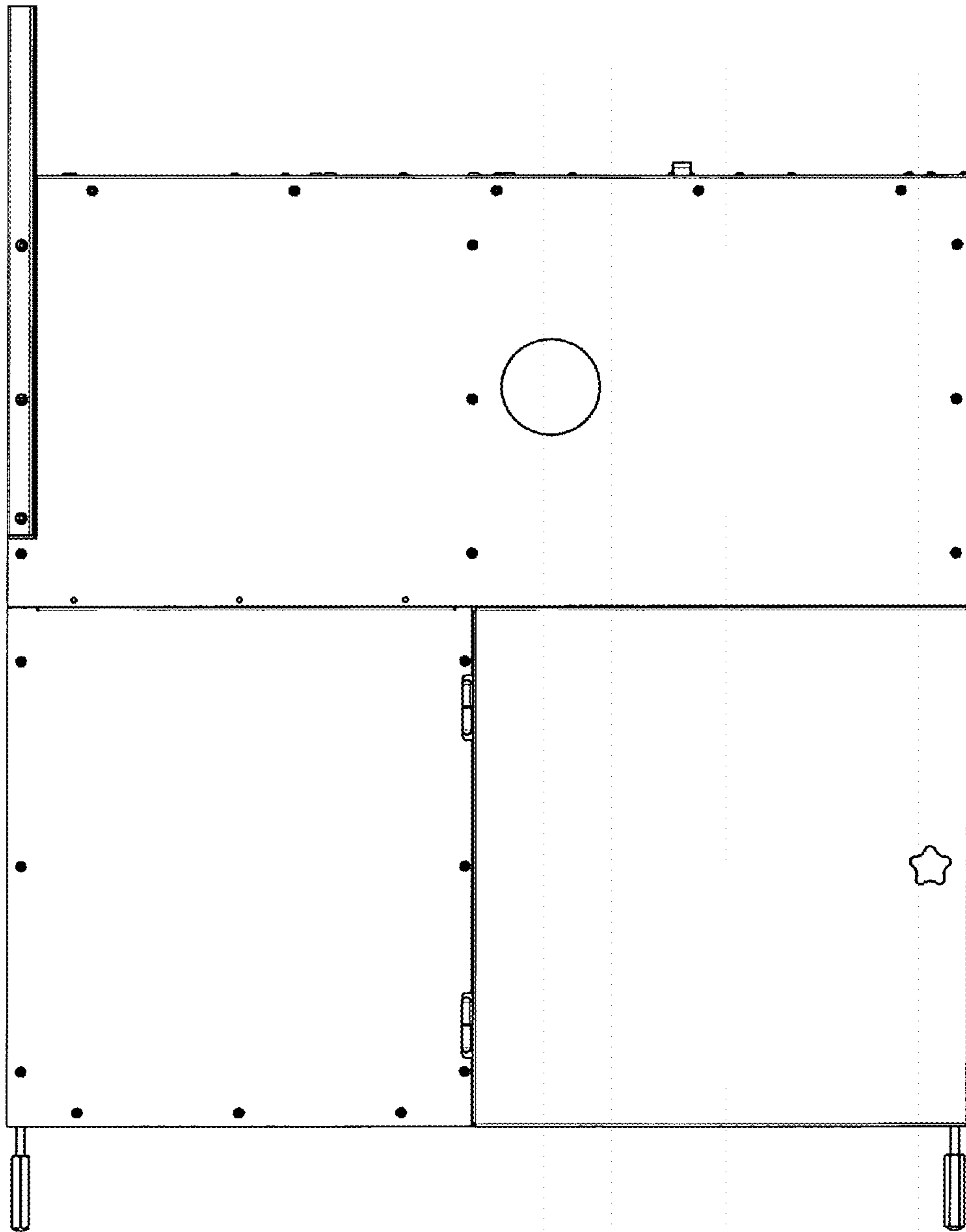


FIGURE 5

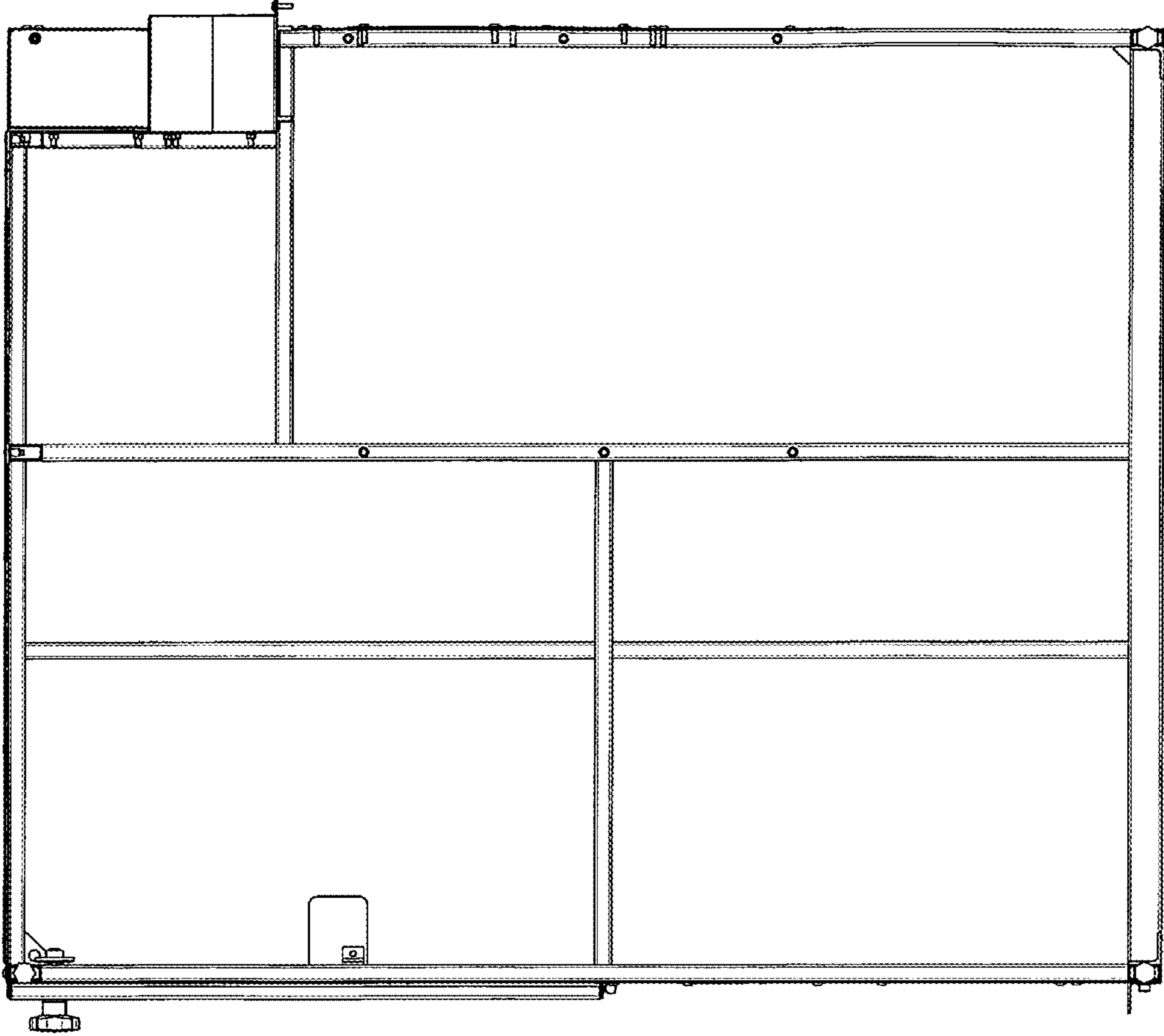


FIGURE 6

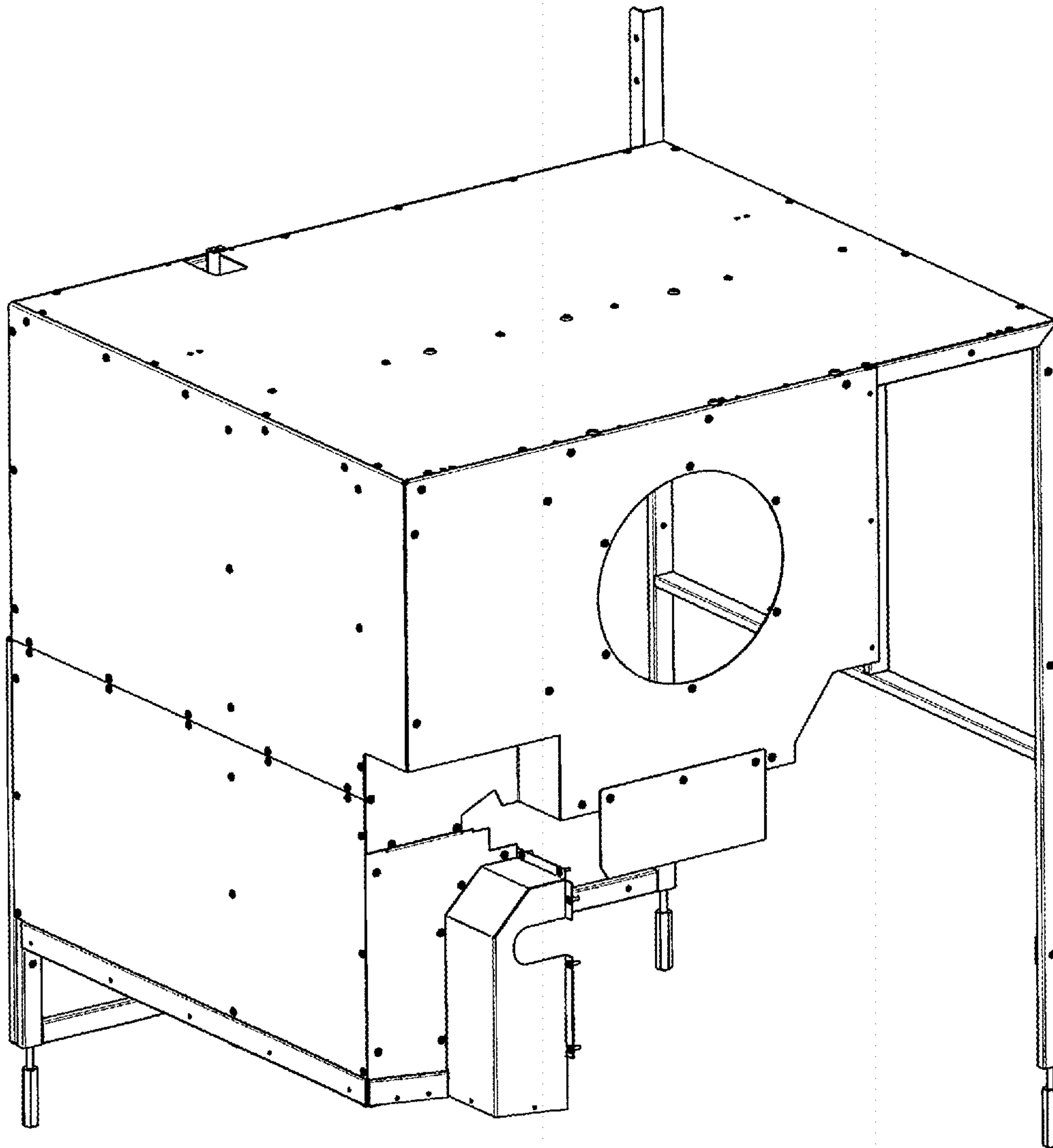


FIGURE 7

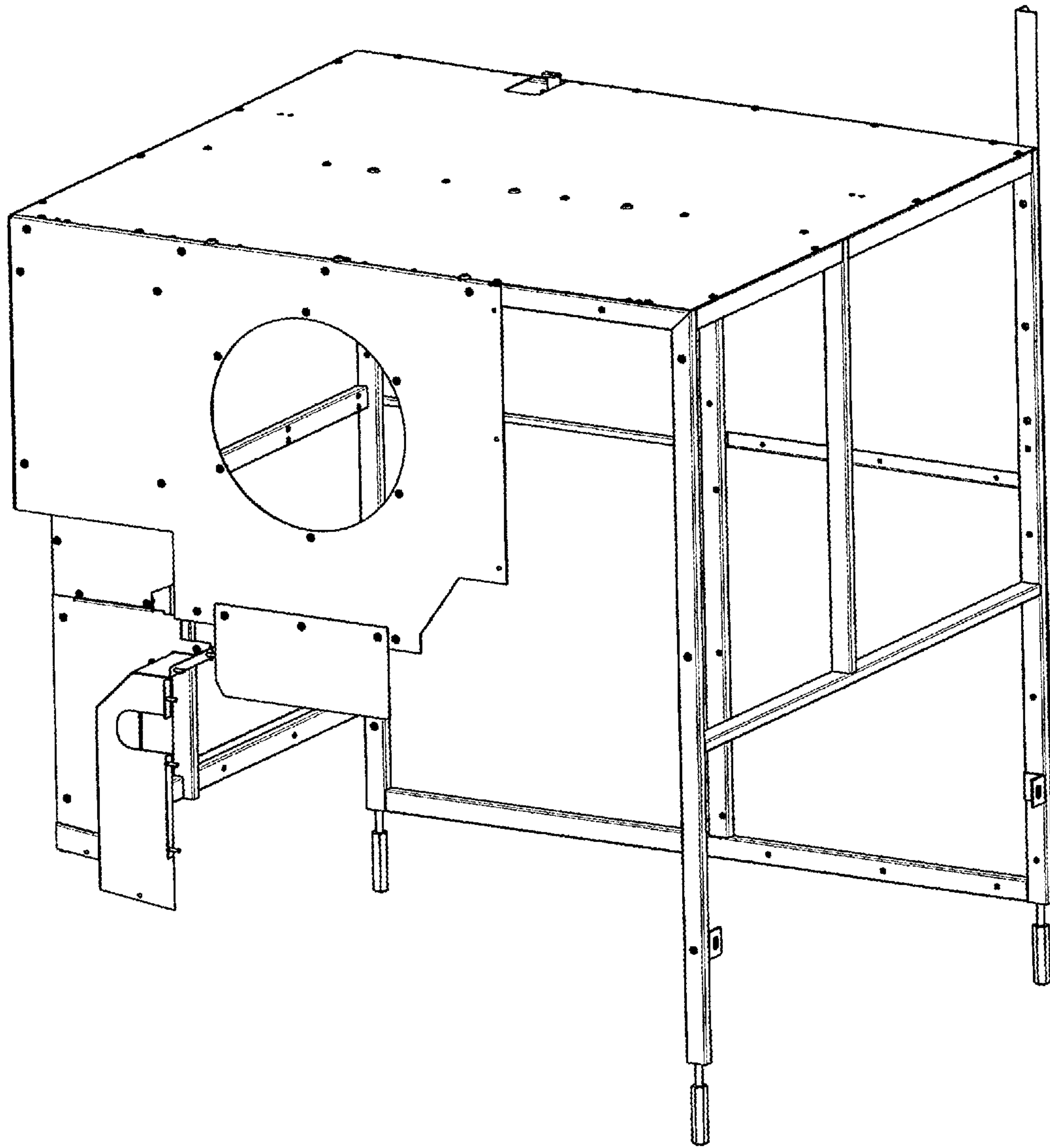


FIGURE 8

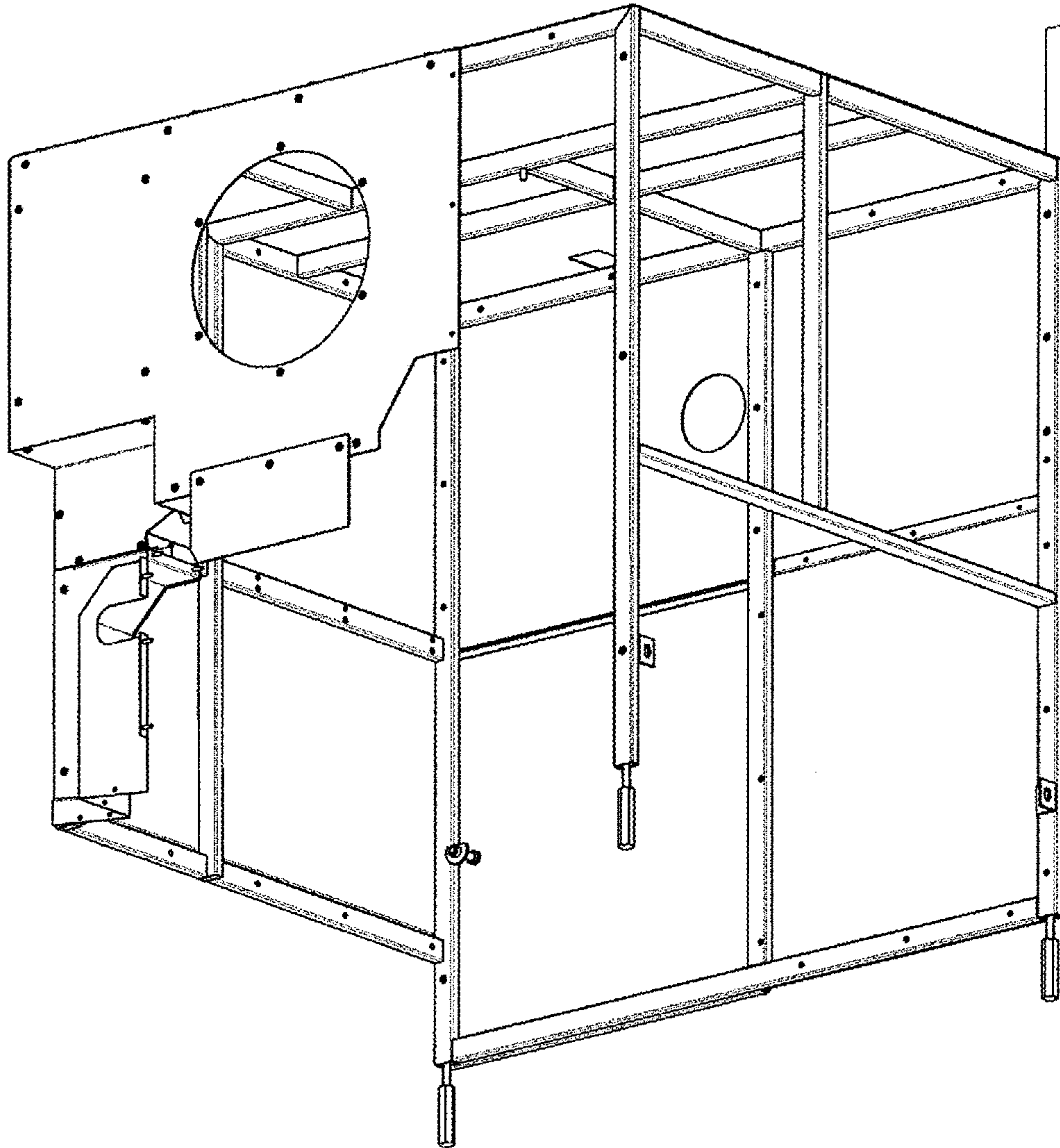


FIGURE 9

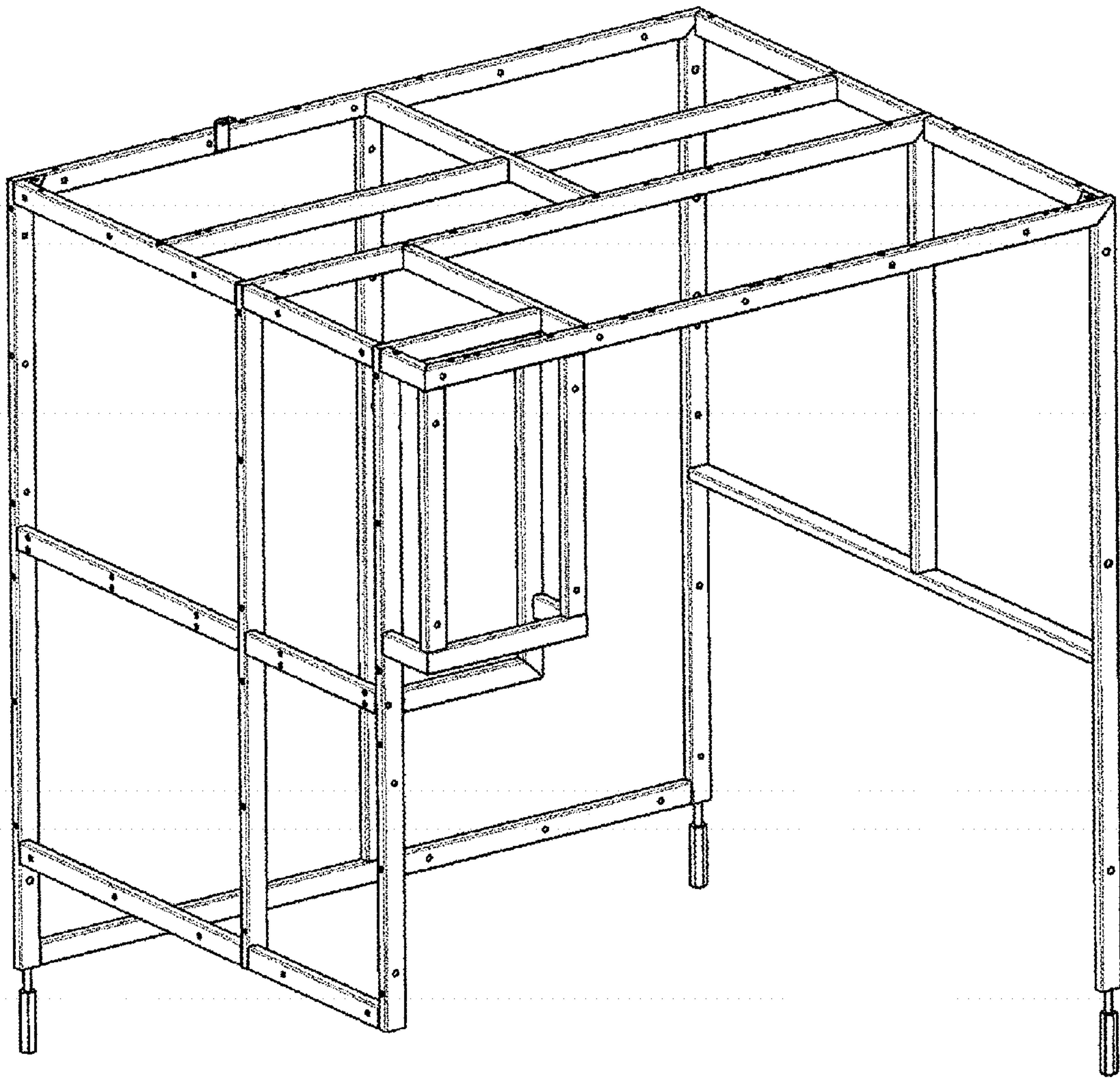


FIGURE 10