



US00D753199S

(12) **United States Design Patent**
Hynek et al.

(10) **Patent No.:** **US D753,199 S**

(45) **Date of Patent:** **** Apr. 5, 2016**

- (54) **SLIDING SHIELD FOR A LATHE**
- (71) Applicants: **Martin Hynek**, Plzen (CS); **Miroslav Grach**, Plzen (CS); **Petr Votapek**, Utechovicky (CS); **Jitka Bezdekova**, Pelhrimov (CS)
- (72) Inventors: **Martin Hynek**, Plzen (CS); **Miroslav Grach**, Plzen (CS); **Petr Votapek**, Utechovicky (CS); **Jitka Bezdekova**, Pelhrimov (CS)
- (73) Assignee: **ZAPADOCESKA UNIVERZITA V PLZNI**, Plzen (CZ)
- (**) Term: **14 Years**
- (21) Appl. No.: **29/512,278**
- (22) Filed: **Dec. 18, 2014**
- (51) **LOC (10) Cl.** **15-09**
- (52) **U.S. Cl.**
USPC **D15/130**
- (58) **Field of Classification Search**
USPC D15/122, 127, 128, 129, 130
See application file for complete search history.

- D252,575 S * 8/1979 Simmons D15/130
- D265,319 S * 7/1982 Watanabe D15/130
- 4,462,442 A * 7/1984 Pointner B27L 5/025
144/209.1
- 4,543,021 A * 9/1985 Adler B23Q 11/08
144/251.1
- D289,656 S * 5/1987 Stevens D15/130
- 4,741,232 A * 5/1988 Myers B23Q 1/015
29/27 C
- 4,771,662 A * 9/1988 Eichenhofer B23B 9/08
82/129
- 5,008,828 A * 4/1991 Pinard G05B 19/40932
700/160
- 5,025,690 A * 6/1991 Myers B23Q 1/015
82/121
- 5,127,140 A * 7/1992 Oiwa B23B 3/167
29/27 C
- 5,187,958 A * 2/1993 Prunotto B21D 5/002
72/16.2

(Continued)

Primary Examiner — Patricia Palasik

(57) **CLAIM**

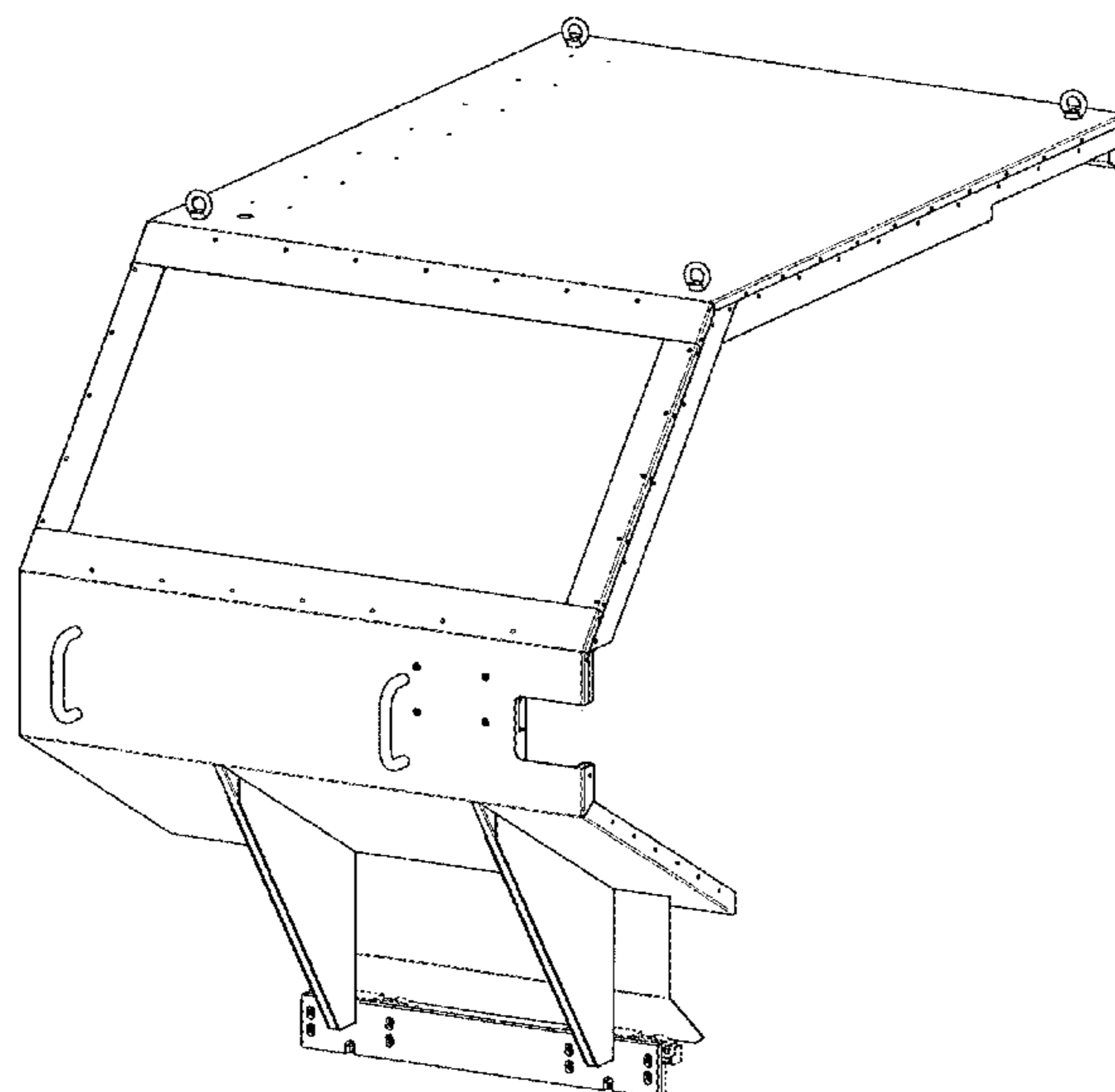
The ornamental design for a sliding shield for a lathe, as shown and described.

DESCRIPTION

FIG. 1 is a perspective front view of a sliding shield for a lathe showing my new design;
 FIG. 2 is a front elevational view thereof;
 FIG. 3 is a left side elevational view thereof;
 FIG. 4 is a right side elevational view thereof;
 FIG. 5 is a bottom plan view thereof;
 FIG. 6 is a rear elevational view thereof;
 FIG. 7 is a top plan view thereof; and,
 FIG. 8 is a perspective rear view thereof.
 The broken lines in the drawings depict unclaimed environmental subject matter.

1 Claim, 8 Drawing Sheets

- (56) **References Cited**
U.S. PATENT DOCUMENTS
- D177,351 S * 4/1956 Siekmann et al. D15/130
- D178,431 S * 7/1956 Siekmann et al. D15/130
- D191,803 S * 11/1961 Curtis D15/130
- D192,263 S * 2/1962 Gurchow 29/DIG. 101
- 3,768,527 A * 10/1973 Messick B23Q 35/102
142/38
- 3,785,227 A * 1/1974 Wolff B23Q 1/01
82/117
- D241,160 S * 8/1976 Gurian et al. D15/122



(56)

References Cited

U.S. PATENT DOCUMENTS

5,239,901 A *	8/1993	Lin	B23Q 39/04 29/27 C	7,062,999 B2 *	6/2006	Hayashi	B23B 3/06 82/122
5,367,754 A *	11/1994	Sheehan	B23B 3/161 29/27 C	7,395,743 B2 *	7/2008	Kato	B23Q 5/341 82/146
5,392,501 A *	2/1995	Sonnek	B23B 3/164 29/27 C	7,437,816 B1 *	10/2008	Kuo	B23Q 1/015 29/27 C
D368,917 S *	4/1996	Isshiki	D15/130	7,506,423 B2 *	3/2009	Iwabuchi	B23B 3/065 29/27 C
D399,221 S *	10/1998	Schwartz	D15/130	7,987,567 B2 *	8/2011	Yasuda	B23B 3/065 29/27 C
6,140,606 A *	10/2000	Heikilla	B23K 26/04 219/121.6	8,087,332 B2 *	1/2012	Grossmann	B23B 3/06 82/121
D437,332 S *	2/2001	Remue	D15/127	8,371,195 B2 *	2/2013	Tsai	B23B 3/167 82/121
6,232,736 B1 *	5/2001	Bullen	B23Q 1/012 156/433	8,387,493 B2 *	3/2013	Monroe	B23Q 1/015 29/26 A
D445,807 S *	7/2001	Baulk	D15/127	8,459,156 B2 *	6/2013	Pu	B23B 23/00 82/129
6,315,449 B1 *	11/2001	Mueller	B23Q 1/262 384/10	8,720,025 B2 *	5/2014	Momoi	B23B 1/00 29/27 C
6,393,713 B1 *	5/2002	French	B23B 25/06 33/520	D711,948 S *	8/2014	Son	D15/199
6,745,654 B2 *	6/2004	Baumann	B23Q 39/02 82/120	8,881,626 B2 *	11/2014	Yang	B23B 5/00 82/122
6,758,117 B2 *	7/2004	Baumann	B23Q 39/026 29/36	D727,379 S *	4/2015	Mueller	D15/122
D496,947 S *	10/2004	Baulk	D15/130	2011/0132164 A1 *	6/2011	Barandiaran Echeguia	B21D 28/20 83/145
6,928,909 B1 *	8/2005	Akimoto	B23B 3/065 29/27 C				

* cited by examiner

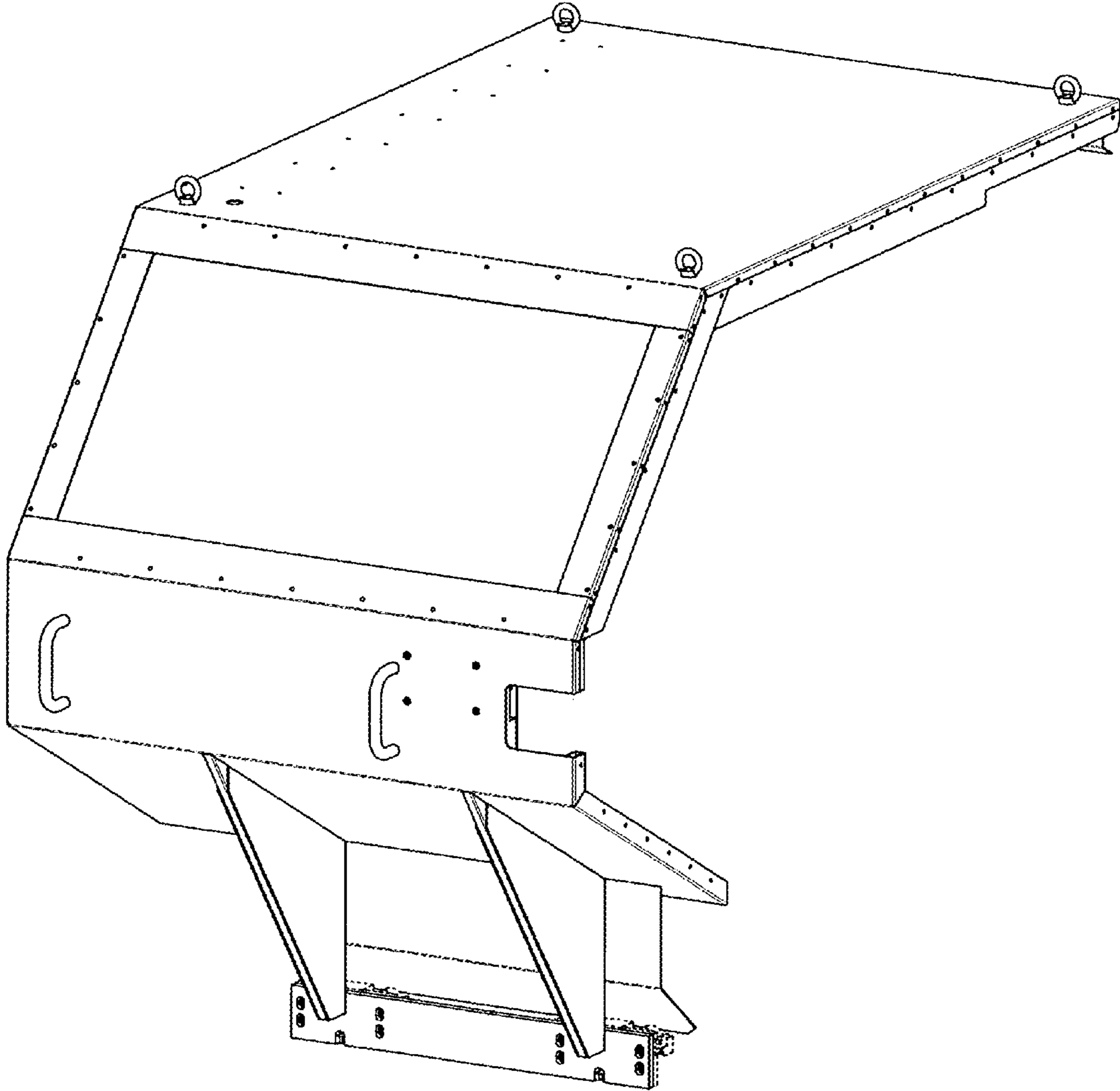


FIGURE 1

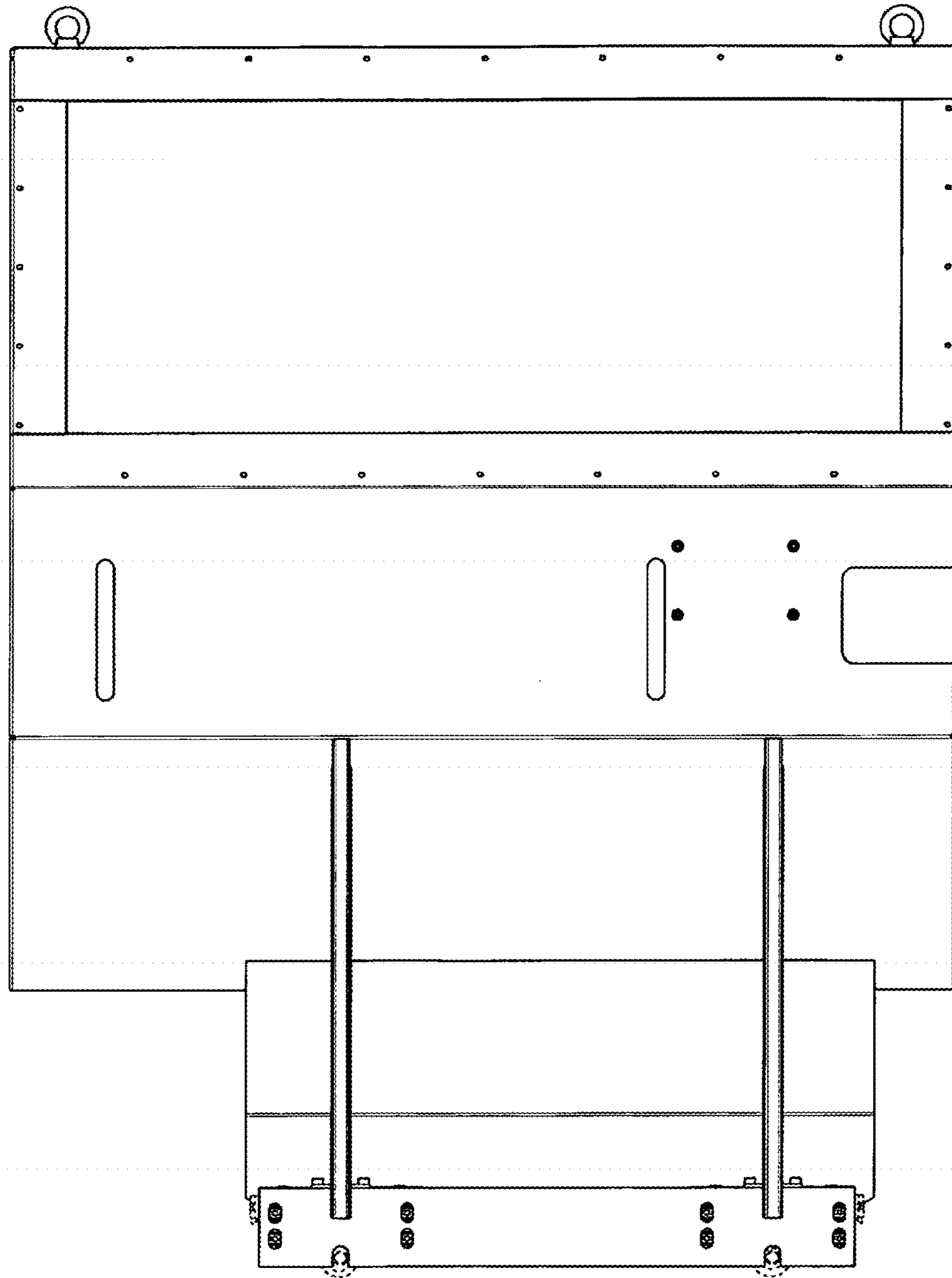


FIGURE 2

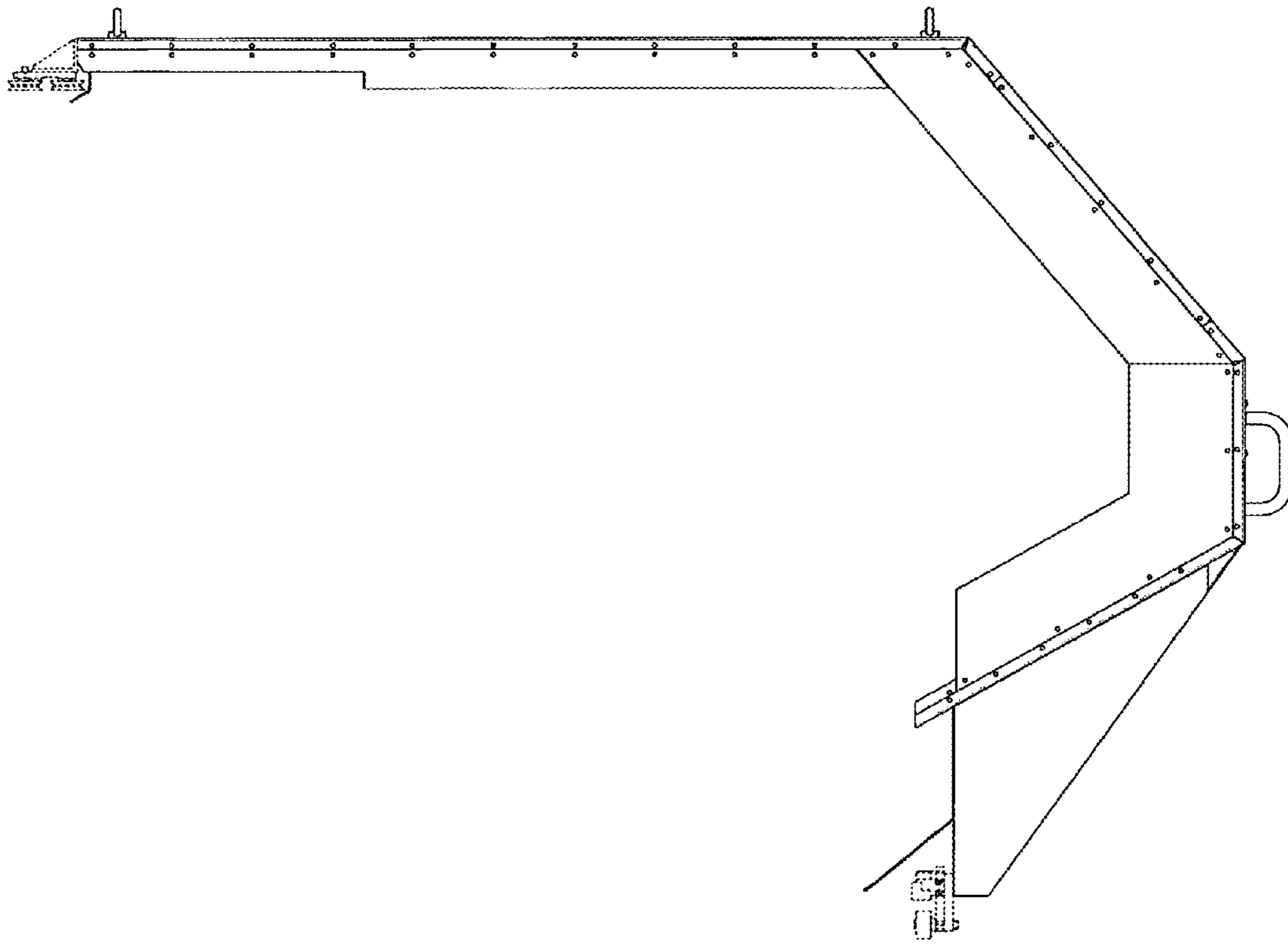


FIGURE 3

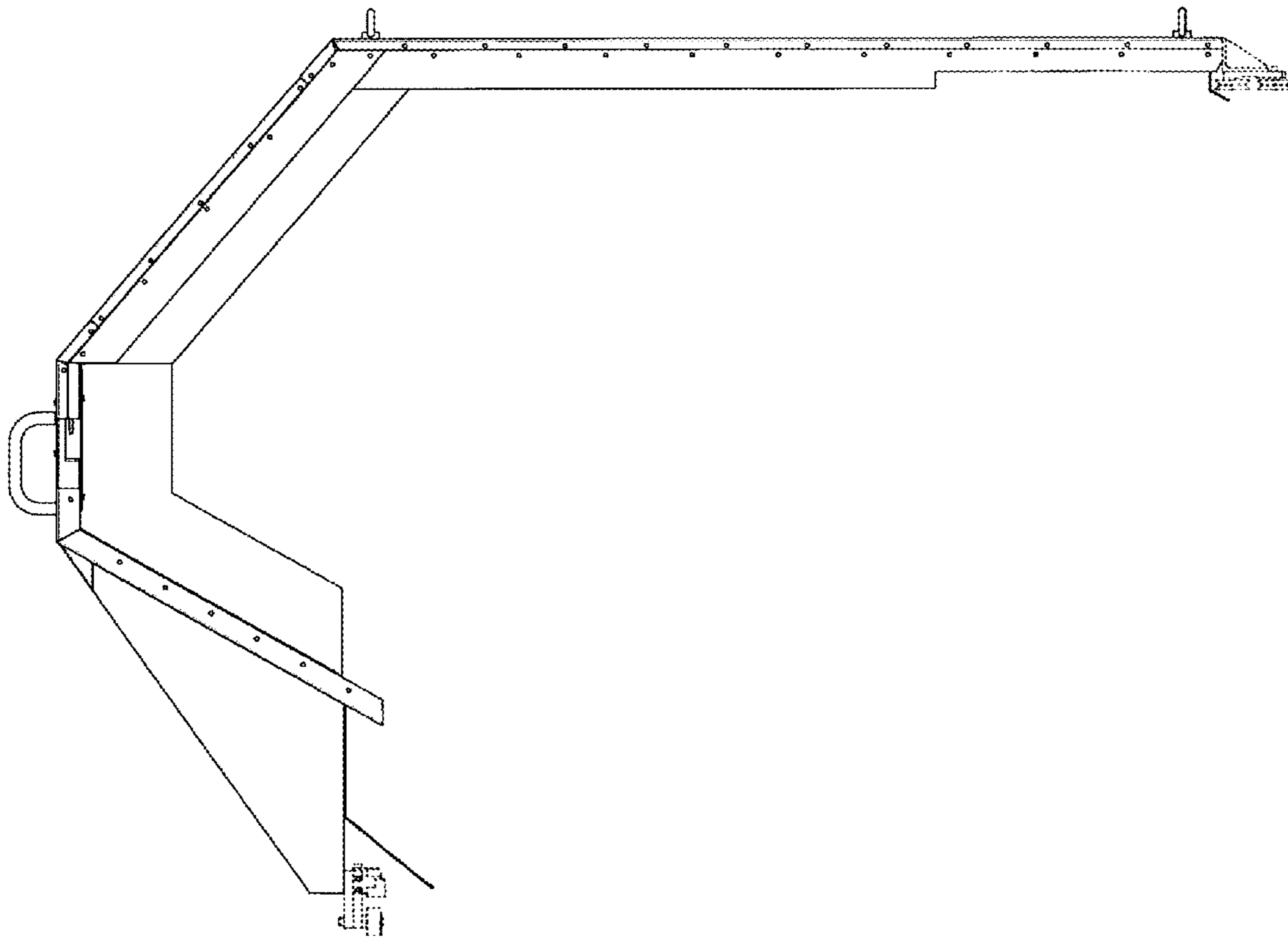


FIGURE 4

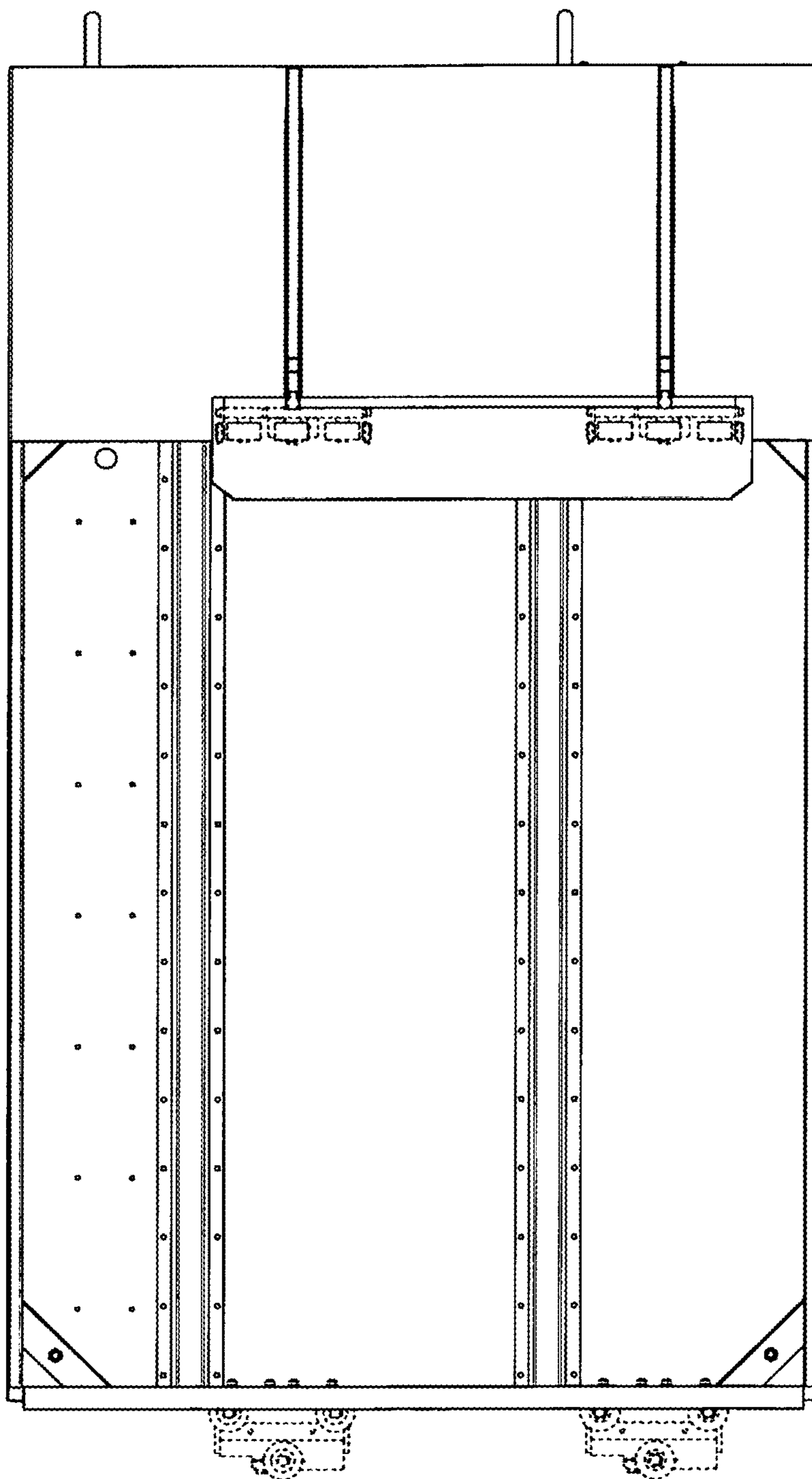


FIGURE 5

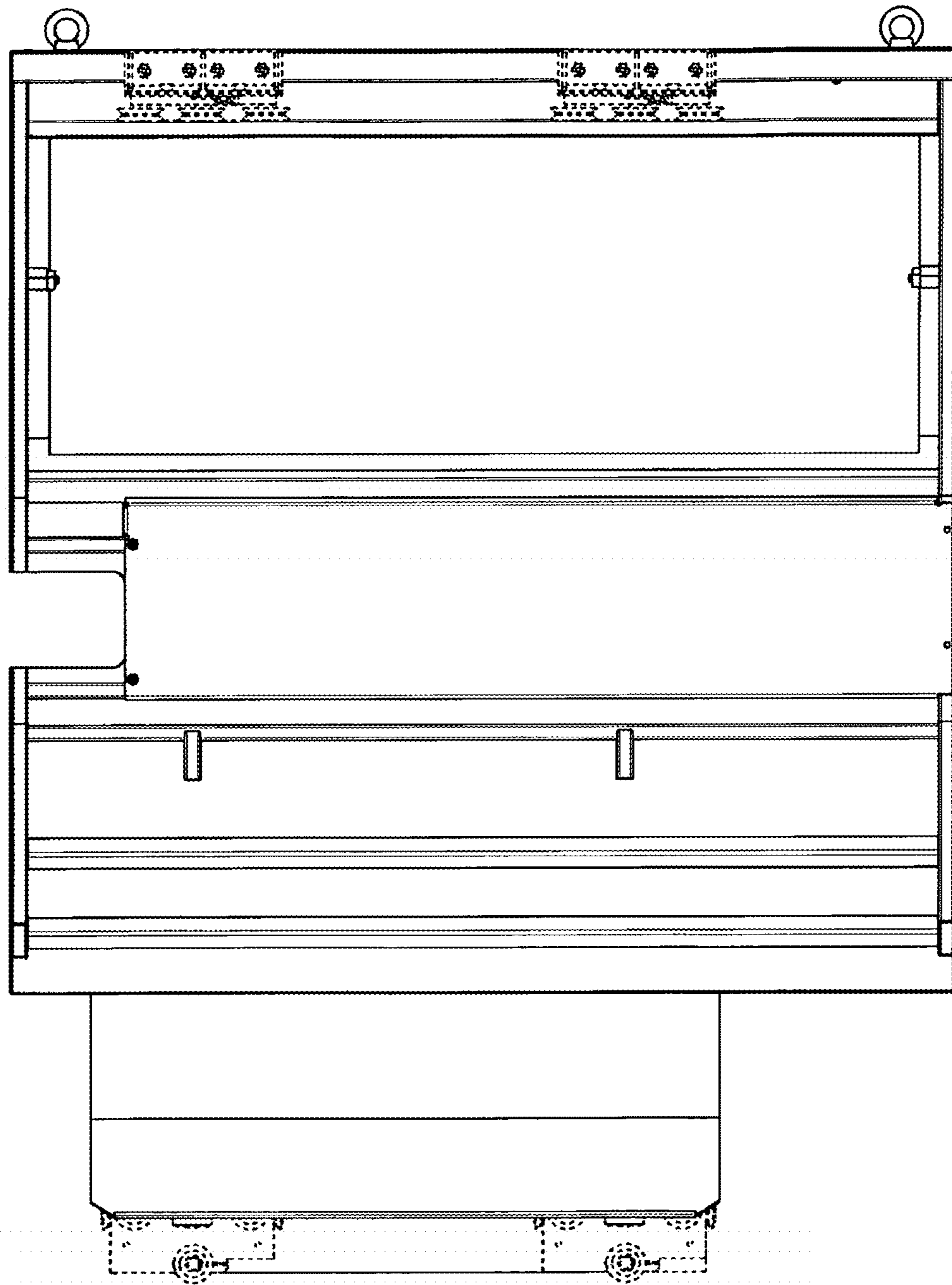


FIGURE 6

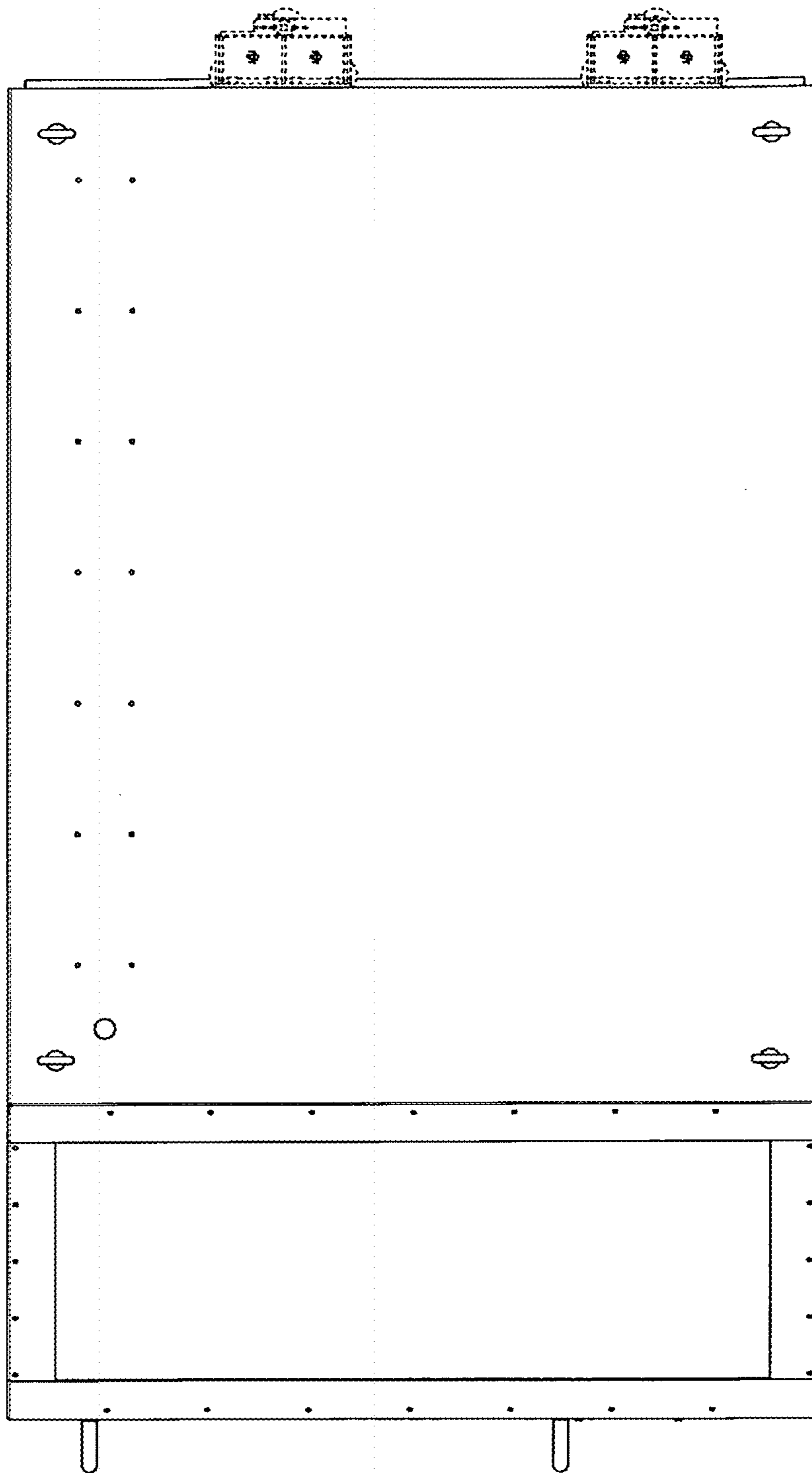


FIGURE 7

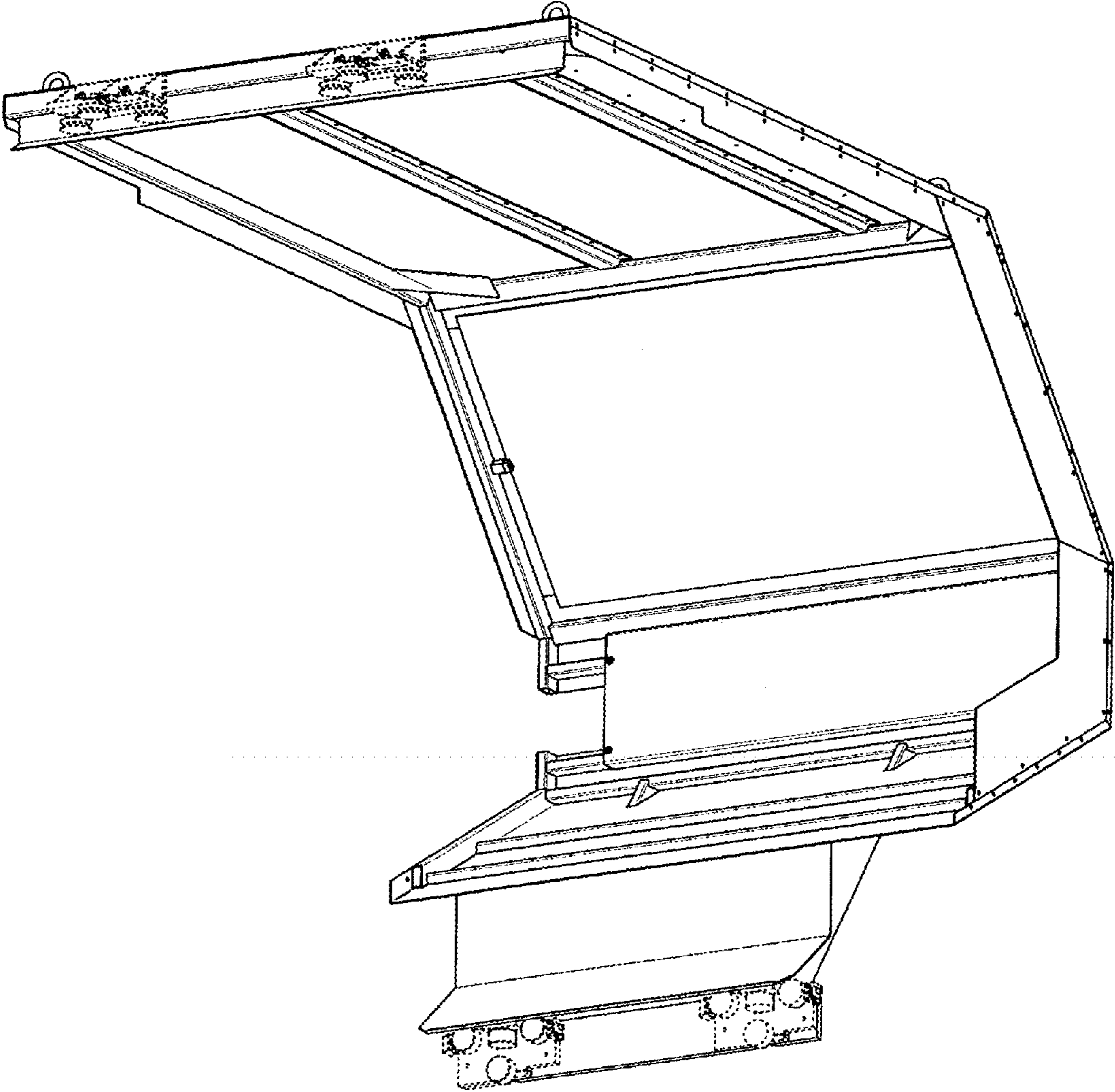


FIGURE 8