



US00D753197S

(12) **United States Design Patent**  
**Lee et al.**

(10) **Patent No.:** **US D753,197 S**  
(45) **Date of Patent:** **\*\* Apr. 5, 2016**

(54) **FOOD STORAGE CONTAINER FOR REFRIGERATOR**

(56) **References Cited**

U.S. PATENT DOCUMENTS

(71) Applicant: **Samsung Electronics Co., Ltd.**,  
Suwon-si, Gyeonggi-do (KR)  
(72) Inventors: **Sun-Min Lee**, Seoul (KR); **Ae-Ryun Kim**, Ansan-si (KR); **Seon-Ju Lee**, Seoul (KR); **Min-Kyung Choi**, Seoul (KR)

D358,403	S	*	5/1995	Edman	.....	D15/89
D677,289	S	*	3/2013	Seo	.....	D15/90
D694,289	S	*	11/2013	Hottmann	.....	D15/89
D709,531	S	*	7/2014	Park	.....	D15/89
D709,927	S	*	7/2014	Park	.....	D15/89
D723,593	S	*	3/2015	Ryu	.....	D15/89
D733,770	S	*	7/2015	Park	.....	D15/89
D733,773	S	*	7/2015	Lee	.....	D15/89
D734,784	S	*	7/2015	Kim	.....	D15/89

(73) Assignee: **SAMSUNG ELECTRONICS CO., LTD.** (KR)

\* cited by examiner

(\*\*) Term: **14 Years**

*Primary Examiner* — Mark Goodwin

(21) Appl. No.: **29/504,913**

(74) *Attorney, Agent, or Firm* — Cantor Colburn LLP

(22) Filed: **Oct. 10, 2014**

(57) **CLAIM**

The ornamental design for a food storage container for refrigerator, as shown and described.

(30) **Foreign Application Priority Data**

**DESCRIPTION**

Apr. 10, 2014 (KR) ..... 30-2014-0017979

(51) **LOC (10) Cl.** ..... **15-07**

(52) **U.S. Cl.**  
USPC ..... **D15/89**

(58) **Field of Classification Search**  
USPC ..... D15/89, 81, 83, 84, 85, 86, 87, 88, 90;  
312/404-408; 62/344, 382  
CPC ..... F25D 23/028; F25D 23/02; F25D 23/00;  
F25D 23/04; F25D 23/12; F25D 25/025;  
F25D 25/02; F25D 25/024; F25D 2323/021;  
F25D 2323/024; F25B 21/02; F25B 21/04;  
F25B 2321/02; F25B 2321/0252; F25B 1/005;  
F25B 1/00; F25B 1/01; F25B 2339/047;  
F25B 5/02; F25B 7/00; F25B 13/00

FIG. 1 is a perspective view of a food storage container for refrigerator, showing our new design;  
FIG. 2 is a front view thereof;  
FIG. 3 is a rear view thereof;  
FIG. 4 is a side view thereof;  
FIG. 5 is a another side view thereof;  
FIG. 6 is a top view thereof;  
FIG. 7 is a bottom view thereof;  
FIG. 8 is another perspective view thereof; and,  
FIG. 9 is an enlarged view of the portion 9 encircled in FIG. 3.

The broken lines are for environmental purpose only and form no part of the claimed design.  
The dot dash lines encircling the portion 9 form no part of the claimed design.

See application file for complete search history.

**1 Claim, 7 Drawing Sheets**

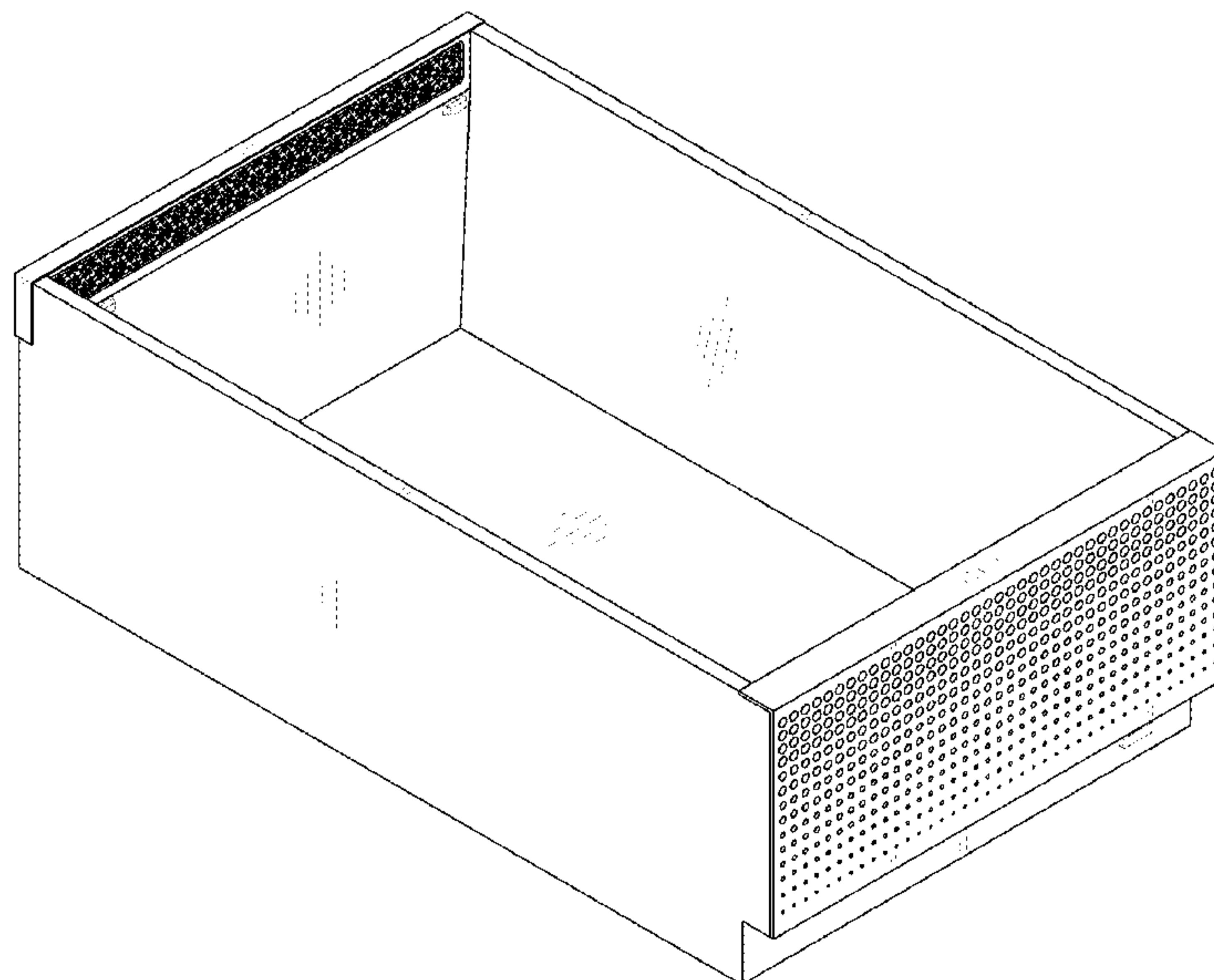


FIG. 1

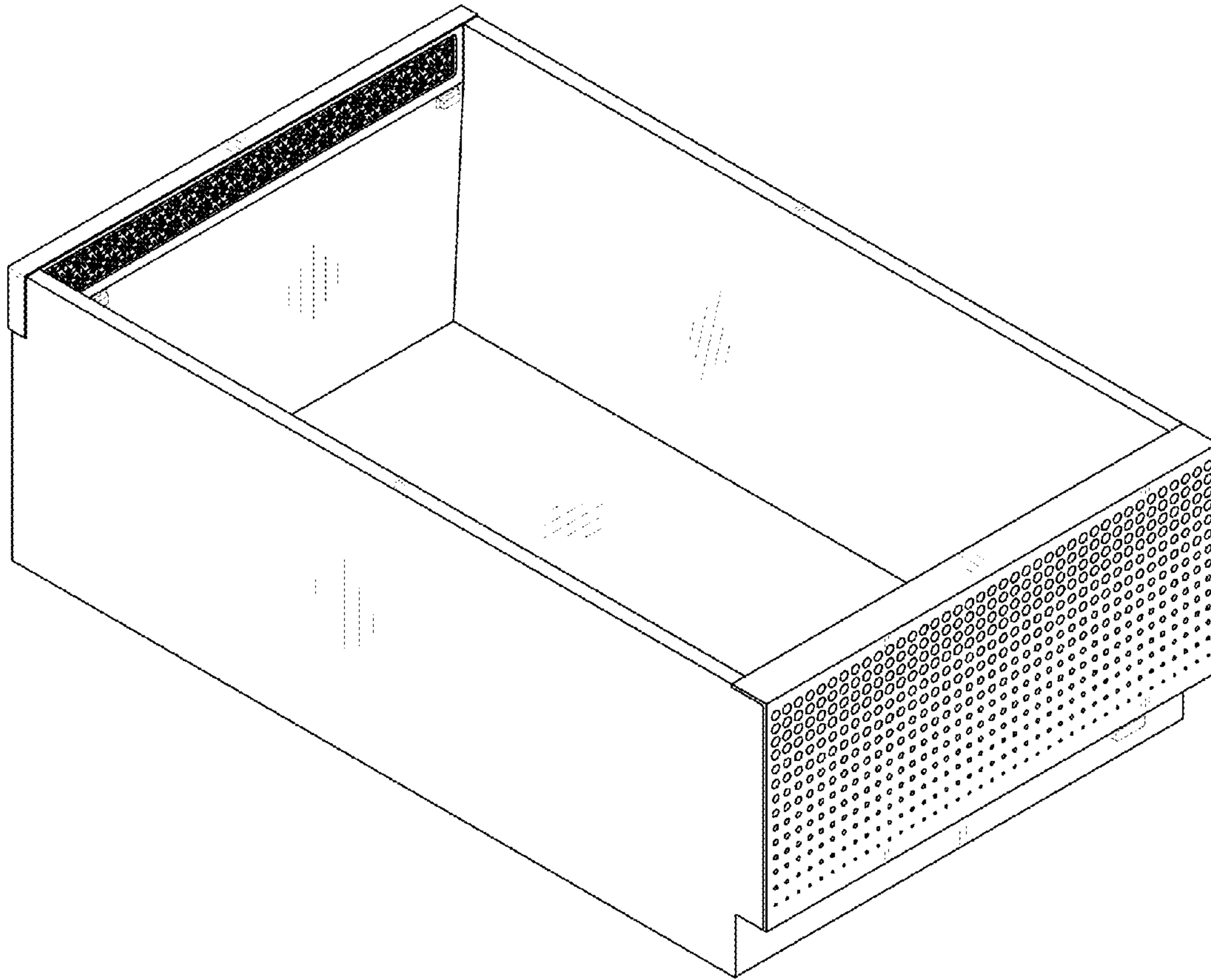


FIG. 2

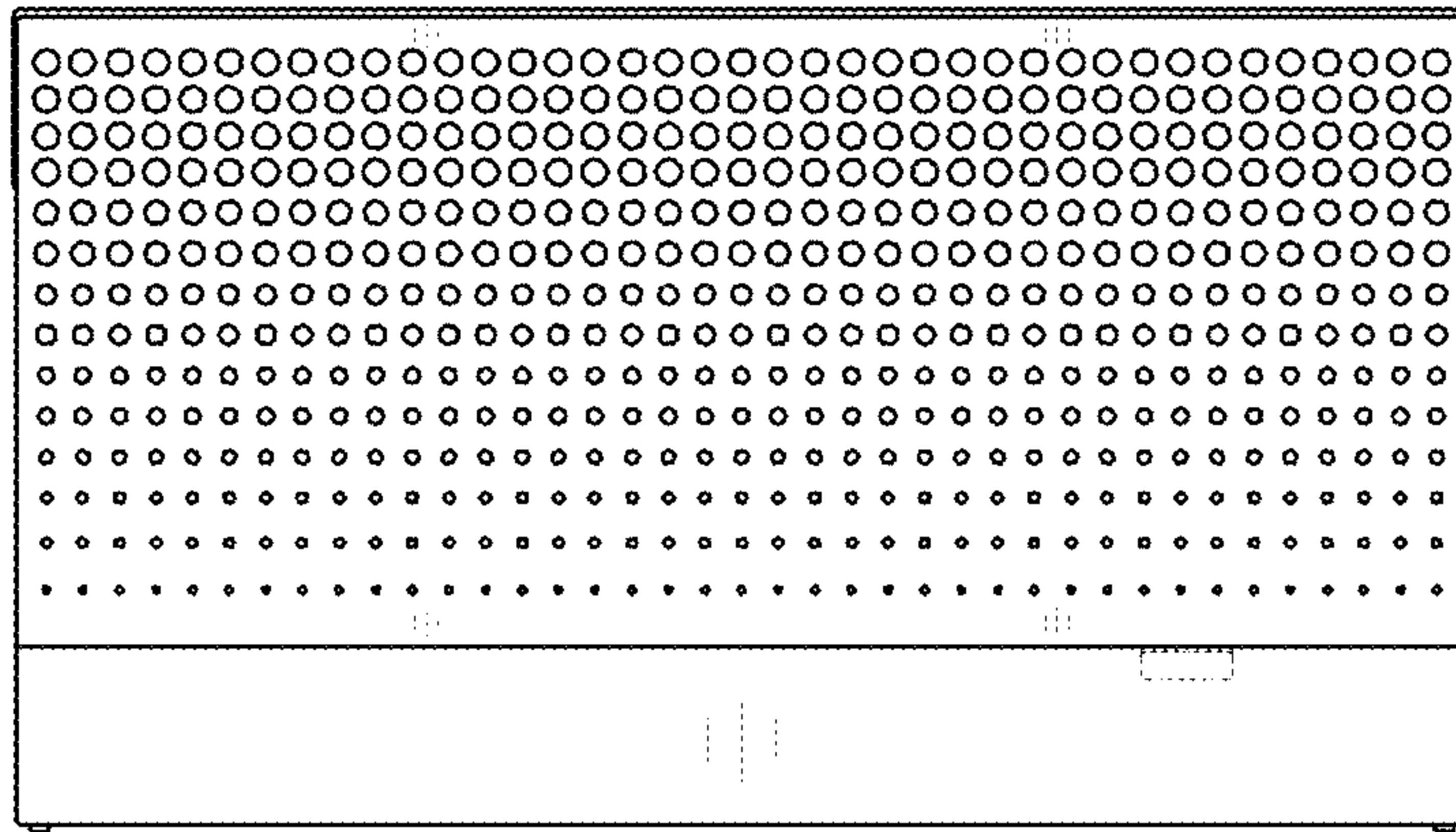


FIG. 3

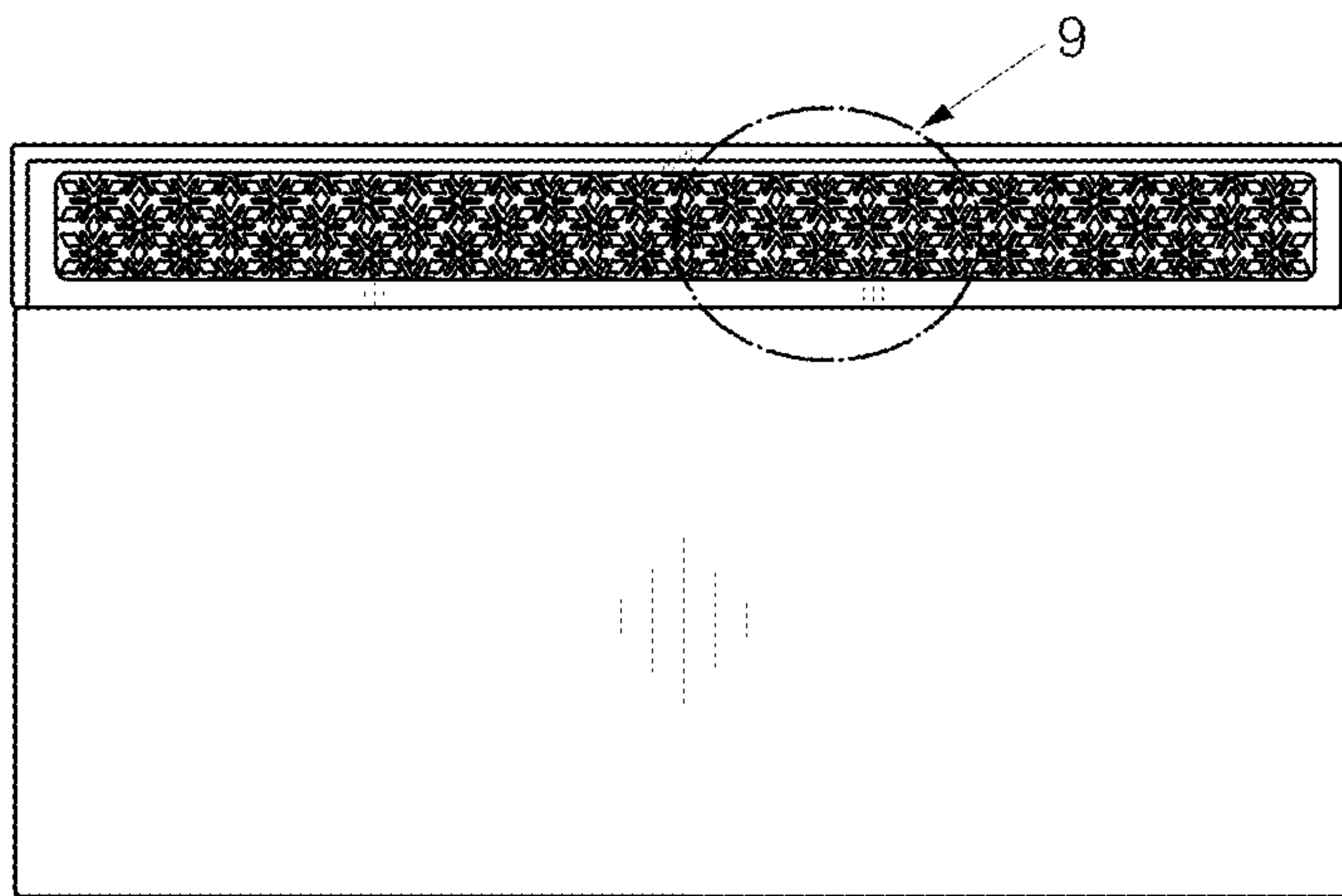


FIG. 4

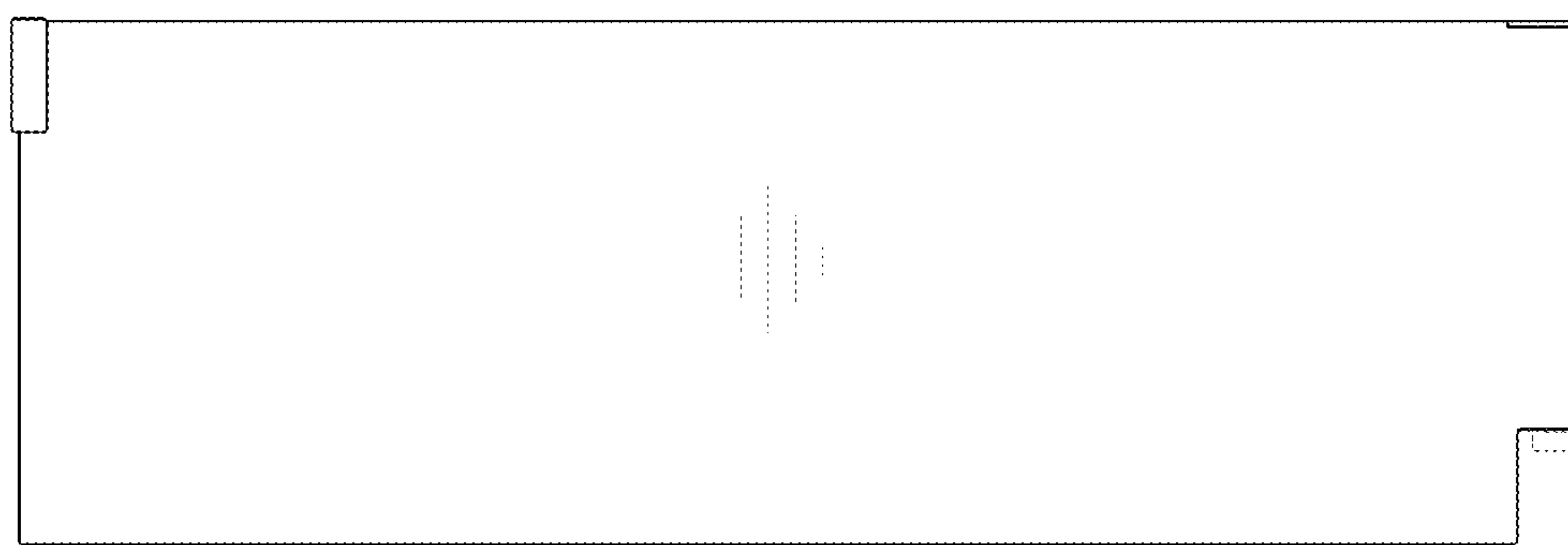


FIG. 5



FIG. 6

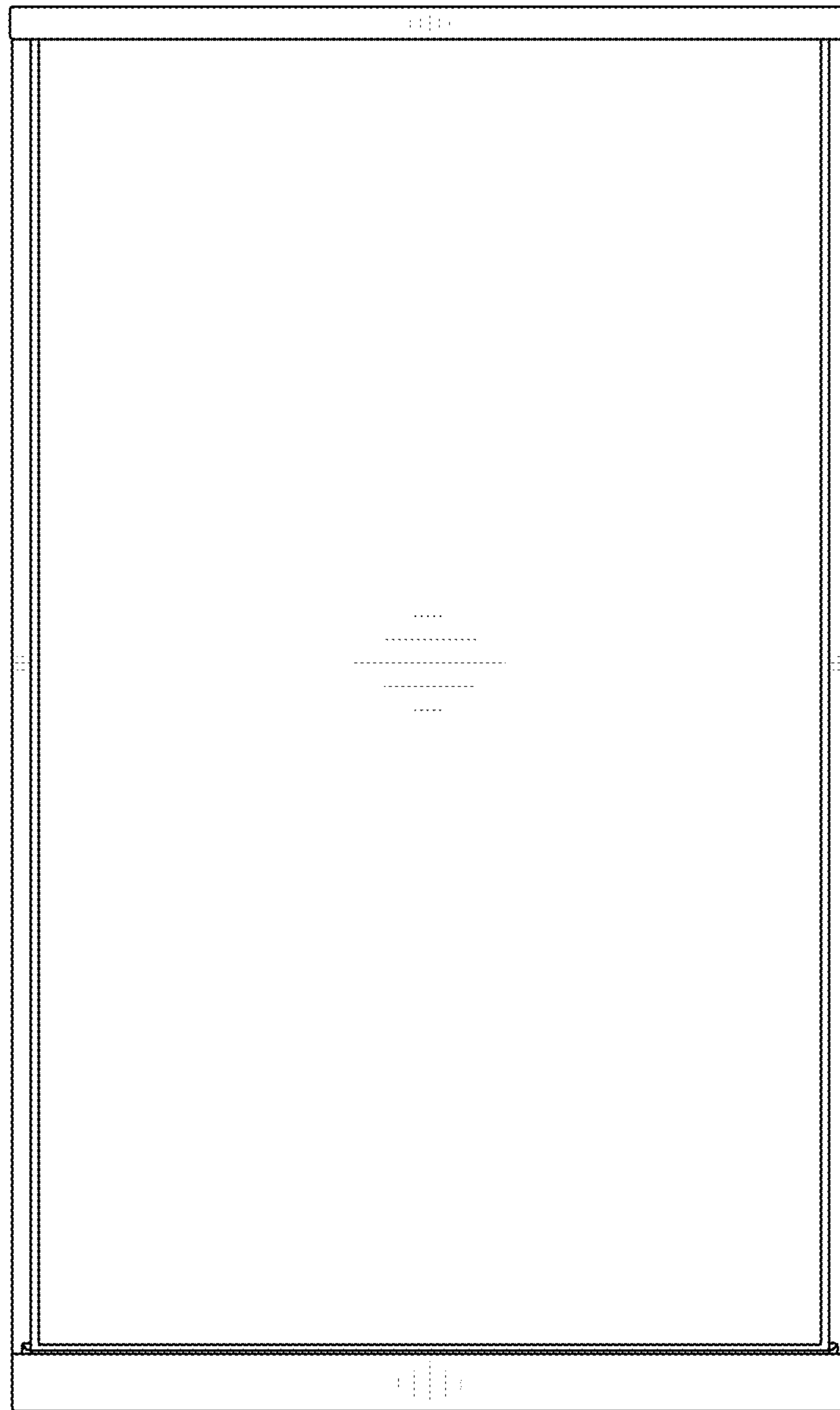




FIG. 7

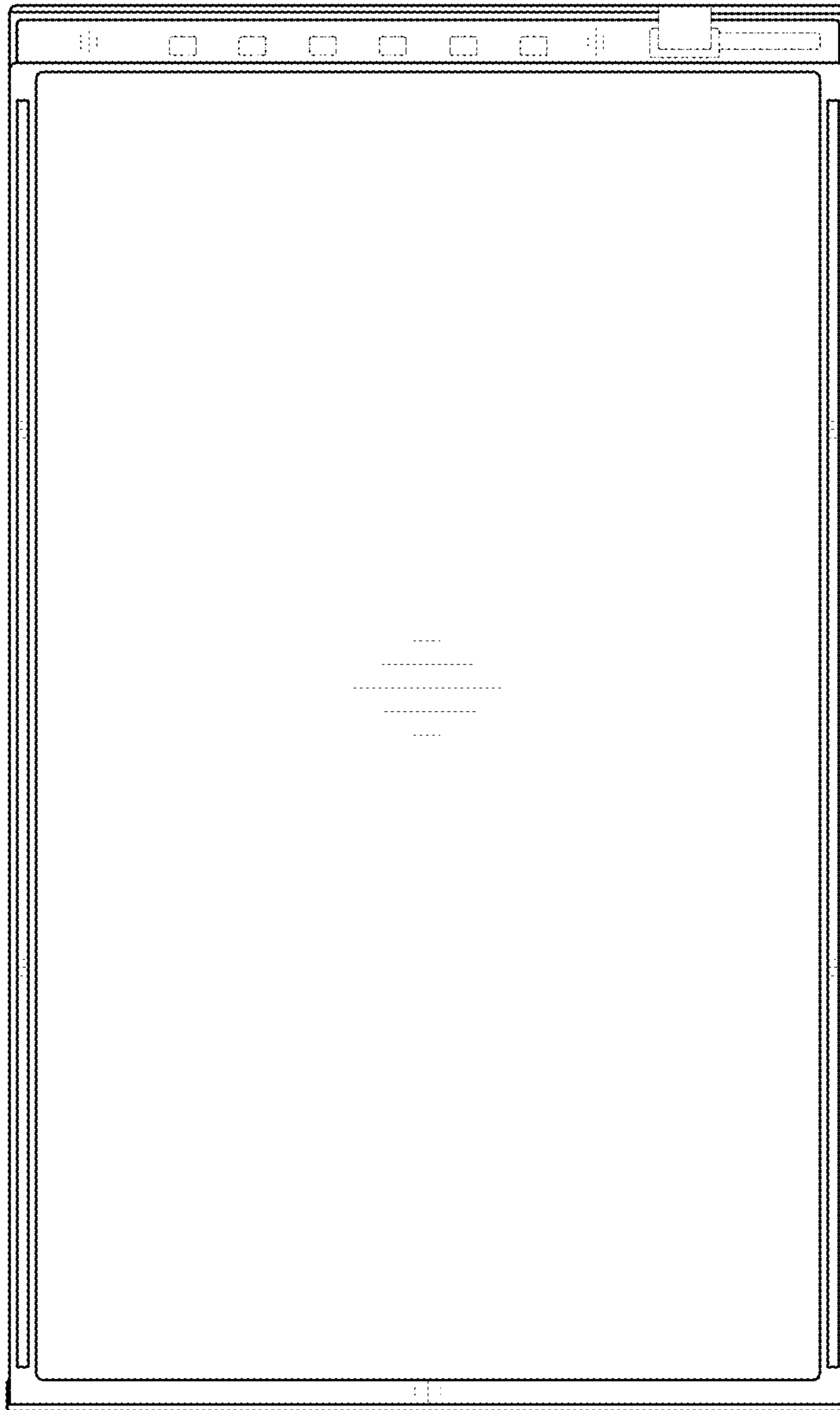


FIG. 8

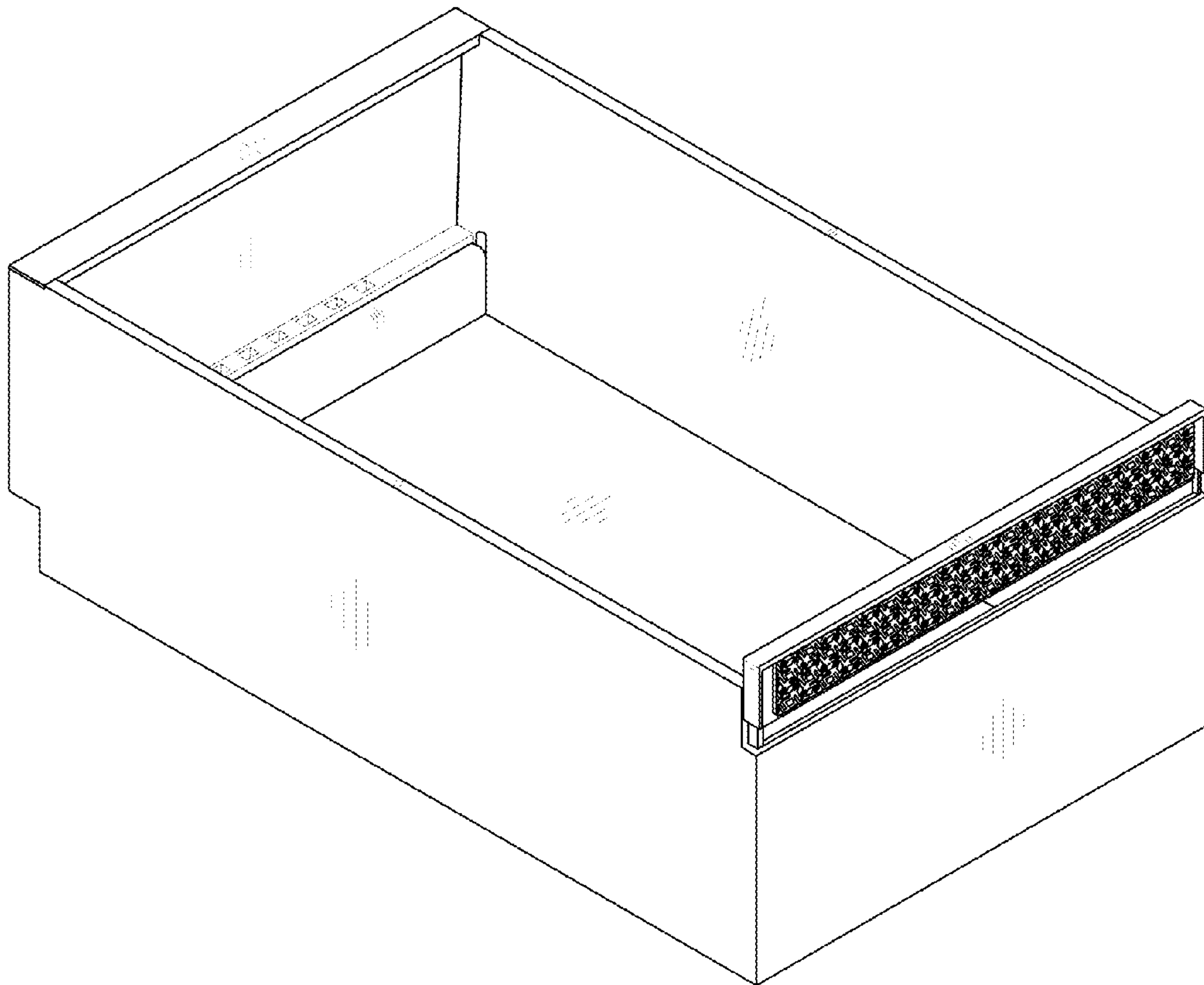


FIG. 9

