



US00D753195S

(12) **United States Design Patent**  
**Jackson et al.**

(10) **Patent No.:** **US D753,195 S**  
(45) **Date of Patent:** **\*\* Apr. 5, 2016**

(54) **ENGINE HOOD OF AN AGRICULTURAL VEHICLE**

(71) Applicant: **CNH Industrial America LLC**, New Holland, PA (US)

(72) Inventors: **Dwayne St. George Jackson**, Plainfield, IL (US); **Jonathan Eziquiel-Shriro**, Chicago, IL (US)

(73) Assignee: **CNH Industrial America LLC**, New Holland, PA (US)

(\*\*) Term: **15 Years**

(21) Appl. No.: **29/530,531**

(22) Filed: **Jun. 17, 2015**

(51) **LOC (10) Cl.** ..... **15-03**

(52) **U.S. Cl.**  
USPC ..... **D15/31**

(58) **Field of Classification Search**  
USPC ..... D15/10, 11, 13-17, 28, 22-26, 31;  
56/13.3, 13.4, 15.8, 15.9, 320.1;  
180/69.21, 89.1, 89.12, 900, 69.2,  
180/68.1, 69.1; D12/173  
CPC ..... B60R 19/52; B60R 21/38; B60K 13/02;  
B60K 11/08; B60K 11/04; B62D 25/10;  
B62D 25/00; F01P 11/10; F01P 5/06; F01P  
2001/005; B60Y 2200/221

See application file for complete search history.

(56) **References Cited**

**U.S. PATENT DOCUMENTS**

4,371,047	A	2/1983	Hale et al.	
4,454,926	A	6/1984	Akins	
5,275,249	A	1/1994	Nelson	
D381,025	S *	7/1997	Bataille	D15/31
D389,492	S *	1/1998	Schmidt	D15/17
D411,210	S *	6/1999	Goebert	D12/163
D447,153	S *	8/2001	Hornung	D15/17
D447,754	S *	9/2001	Smith	D15/31

D451,106	S *	11/2001	Crookes	D15/31
D458,944	S *	6/2002	Crookes	D15/31
D465,500	S *	11/2002	Workman	D15/31
D483,383	S *	12/2003	Crookes	D15/31
6,655,486	B2	12/2003	Oshikawa et al.	
D488,488	S *	4/2004	Montgomery	D15/31
D495,345	S *	8/2004	Farlow	D15/31
6,848,524	B2	2/2005	Vaillancourt et al.	
D512,079	S *	11/2005	Farlow	D15/31
D520,527	S *	5/2006	Crookes	D15/31
D521,532	S *	5/2006	Higashikawa	D15/31
7,051,786	B2	5/2006	Vuk	
D533,882	S *	12/2006	Higashikawa	D15/31
D554,669	S *	11/2007	Crookes	D15/31

(Continued)

**OTHER PUBLICATIONS**

U.S. Appl. No. 14/742,051, filed Jun. 17, 2015, Dwayne St. George Jackson.

(Continued)

*Primary Examiner* — Mark Goodwin

(74) *Attorney, Agent, or Firm* — Sue C. Watson

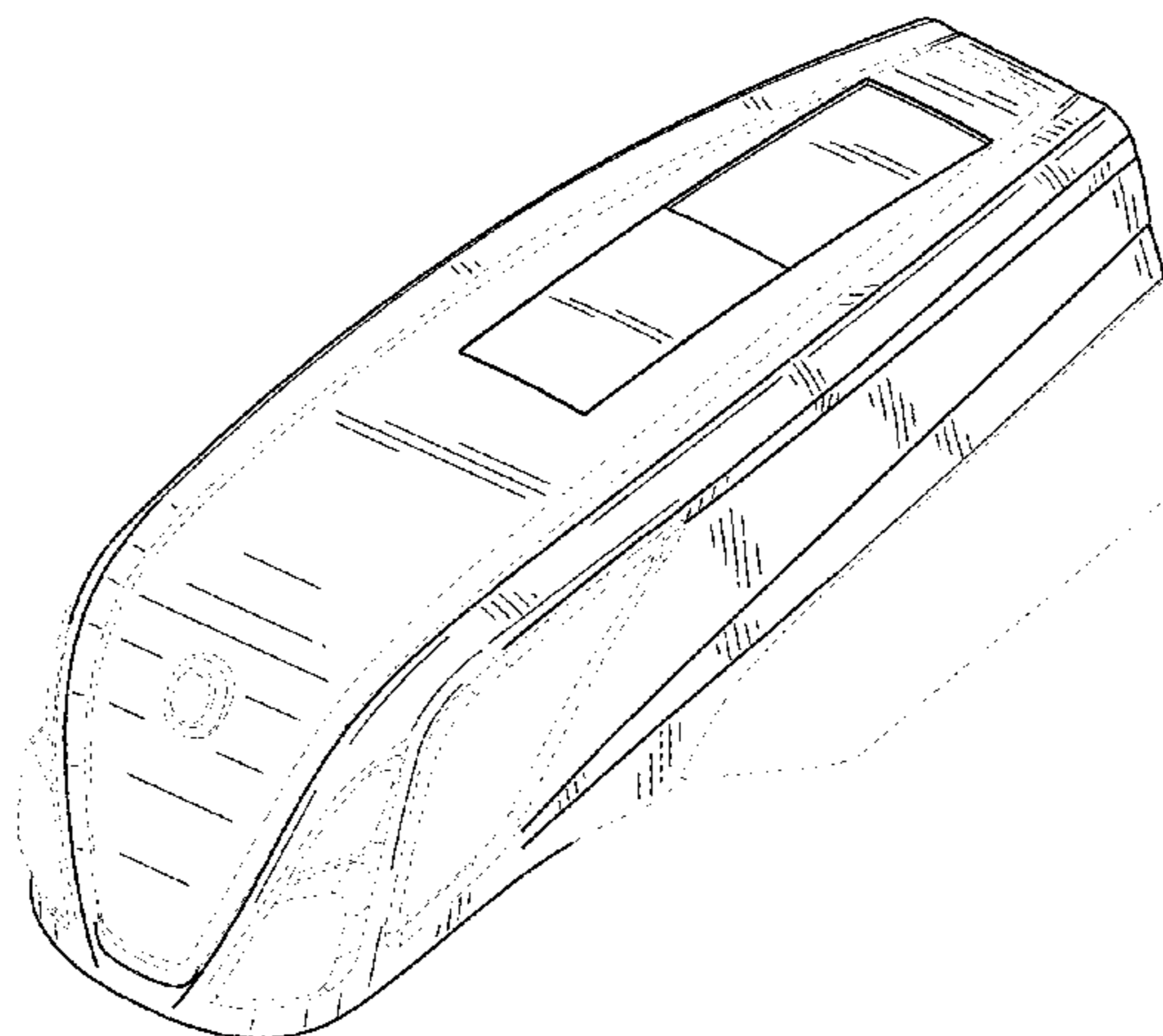
(57) **CLAIM**

The ornamental design for an engine hood of an agricultural vehicle, substantially as shown and described.

**DESCRIPTION**

FIG. 1 is a perspective view of an engine hood of an agricultural vehicle showing our new design, having sliding panels in a closed position;  
FIG. 2 is a perspective view thereof, having sliding panels in an open position;  
FIG. 3 is a front view thereof;  
FIG. 4 is a back view thereof;  
FIG. 5 is a top view thereof; and,  
FIG. 6 is a bottom view thereof.  
Phantom lines, where utilized are for illustrative purposes only and form no part of the claimed design.

**1 Claim, 5 Drawing Sheets**



(56)

References Cited

U.S. PATENT DOCUMENTS

D557,714 S \* 12/2007 Higashikawa ..... D15/31  
 D558,799 S \* 1/2008 Higashikawa ..... D15/31  
 D560,692 S \* 1/2008 Moen ..... D15/31  
 D570,382 S \* 6/2008 Higashikawa ..... D15/31  
 D591,777 S \* 5/2009 Kokitkar ..... D15/31  
 7,559,391 B2 7/2009 Bradley et al.  
 D620,503 S \* 7/2010 Krogh ..... D15/31  
 D620,955 S \* 8/2010 Krogh ..... D15/31  
 D631,489 S \* 1/2011 Booth ..... D15/31  
 D632,312 S \* 2/2011 Booth ..... D15/31  
 D646,305 S \* 10/2011 Krogh ..... D15/31  
 D655,317 S \* 3/2012 Hagele ..... D15/31  
 D655,318 S \* 3/2012 Hagele ..... D15/31  
 D661,323 S \* 6/2012 Krogh ..... D15/31  
 D668,695 S \* 10/2012 Ringer ..... D15/31  
 D675,233 S \* 1/2013 Kushita ..... D15/31  
 8,347,994 B2 1/2013 Bering et al.  
 D676,466 S \* 2/2013 Ewringmann ..... D15/20  
 D682,323 S \* 5/2013 Ryan ..... D15/31  
 8,505,660 B2 8/2013 Fenchak et al.

8,556,013 B2 10/2013 Sturmon et al.  
 D699,765 S \* 2/2014 Tentinger ..... D15/31  
 D706,841 S \* 6/2014 Shimomura ..... D15/31  
 D707,729 S \* 6/2014 Jackson ..... D15/31  
 D707,730 S \* 6/2014 Jackson ..... D15/31  
 8,807,630 B2 8/2014 Rode et al.  
 D714,838 S \* 10/2014 Shimomura ..... D15/31  
 D716,348 S \* 10/2014 Ryan ..... D15/31  
 D716,846 S \* 11/2014 Carter ..... D15/31  
 8,893,834 B2 11/2014 Berkeland  
 2010/0051712 A1 3/2010 Lebeck  
 2010/0326755 A1 12/2010 Husson et al.  
 2013/0146377 A1 6/2013 Adamson et al.  
 2014/0151139 A1 6/2014 Rizzon

OTHER PUBLICATIONS

U.S. Appl. No. 29/530,527, filed Jun. 17, 2015, Dwayne St. George Jackson.  
 U.S. Appl. No. 29/530,538, filed Jun. 17, 2015, Dwayne St. George Jackson.

\* cited by examiner

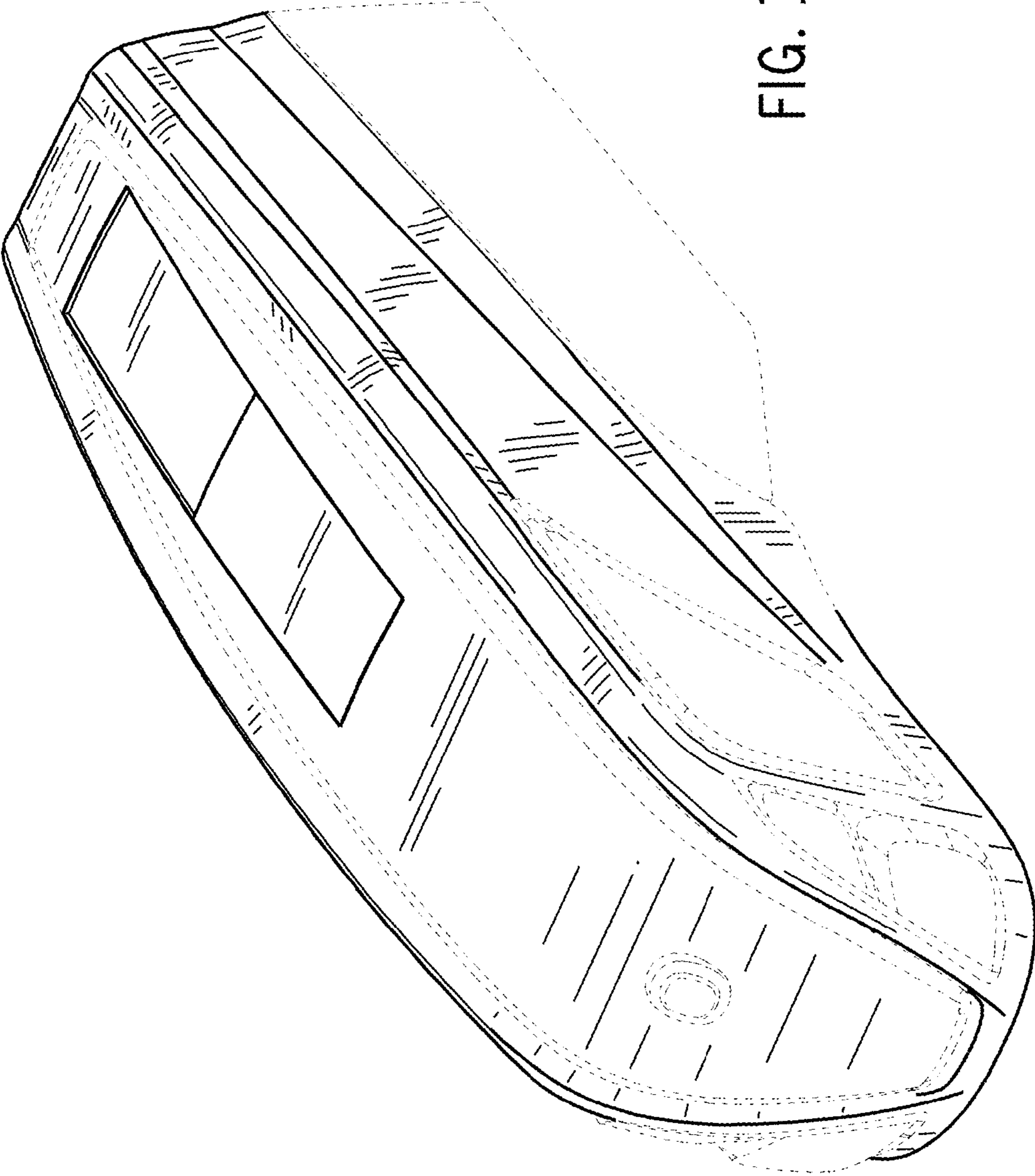


FIG. 1

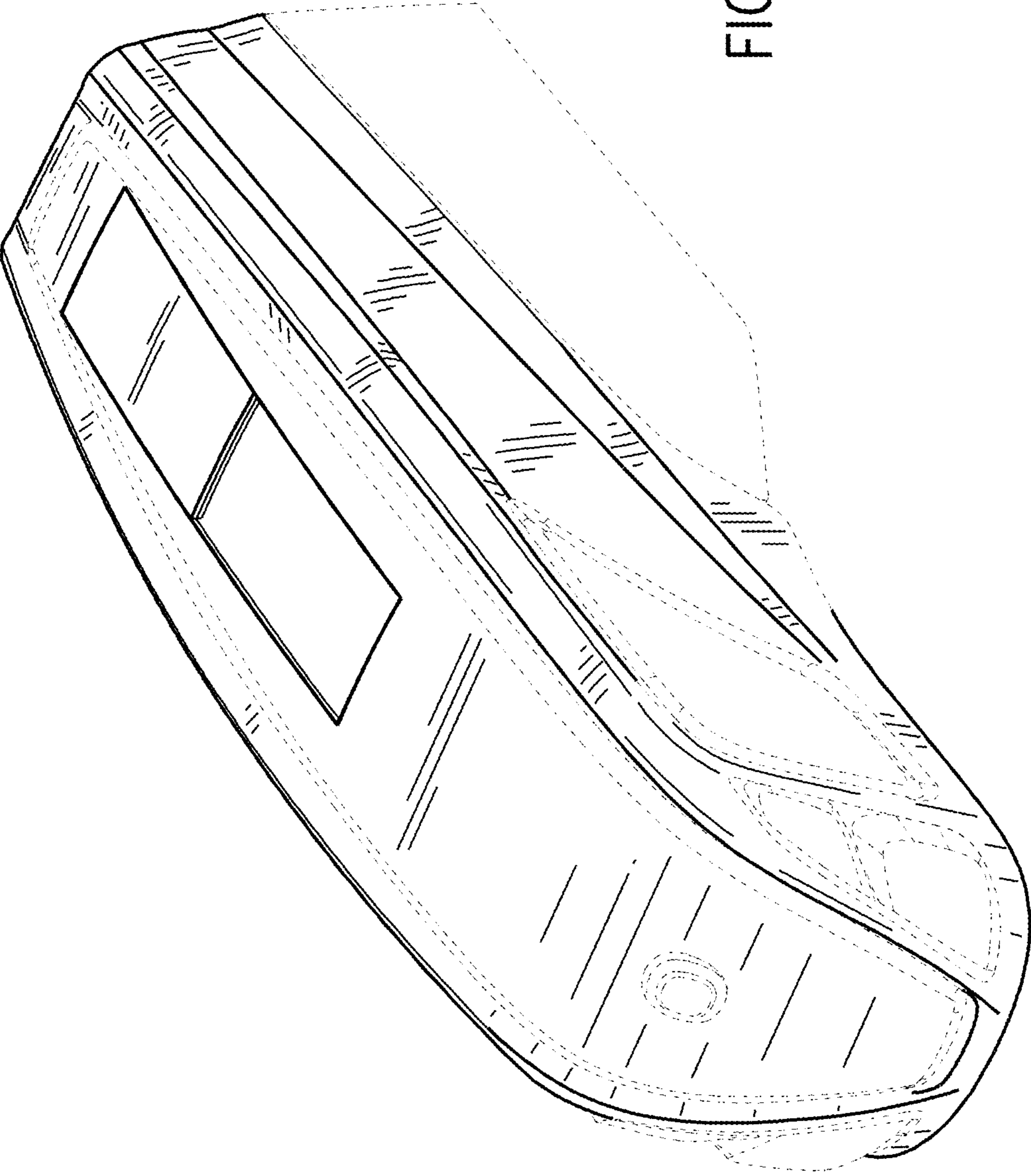


FIG. 2

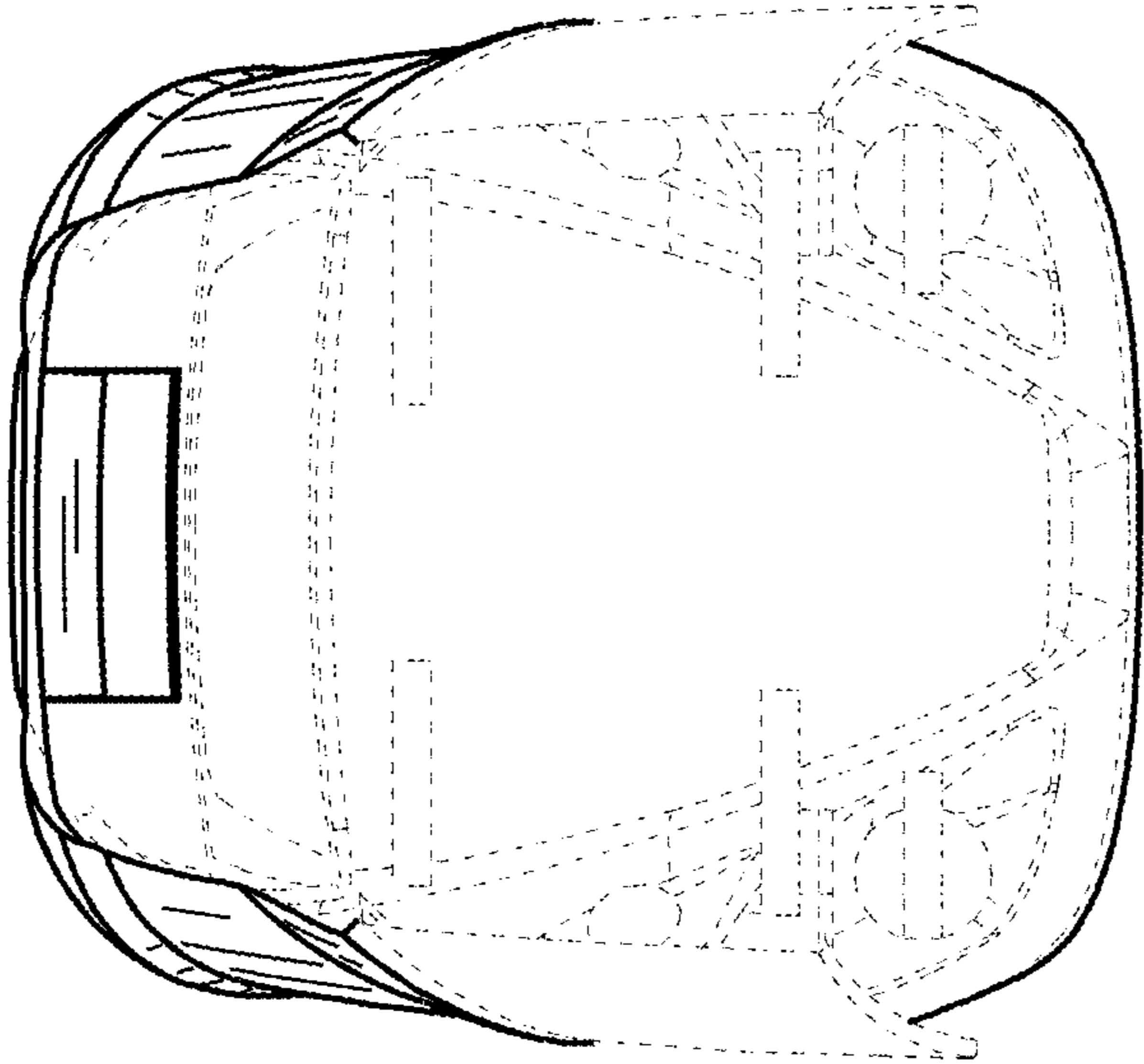


FIG. 4

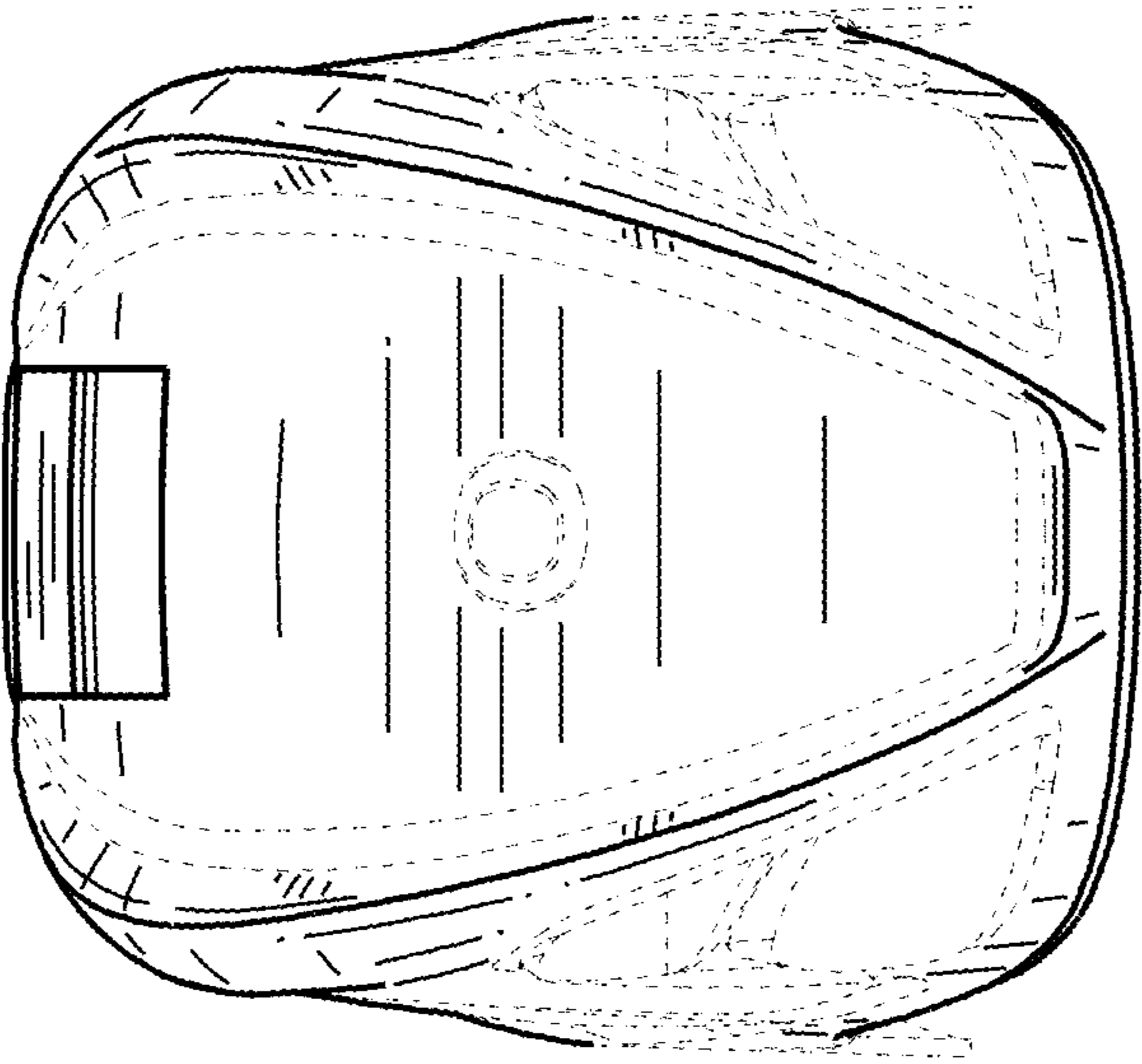


FIG. 3

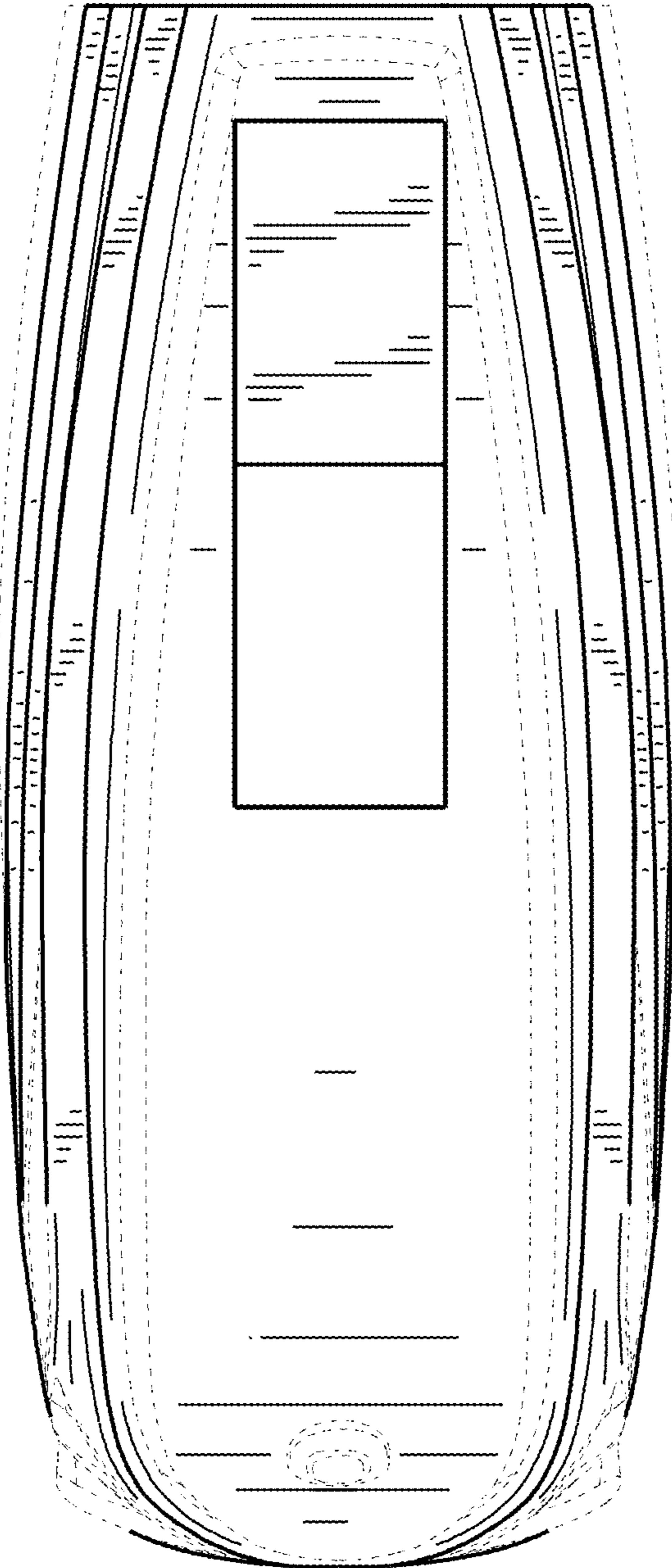


FIG. 5

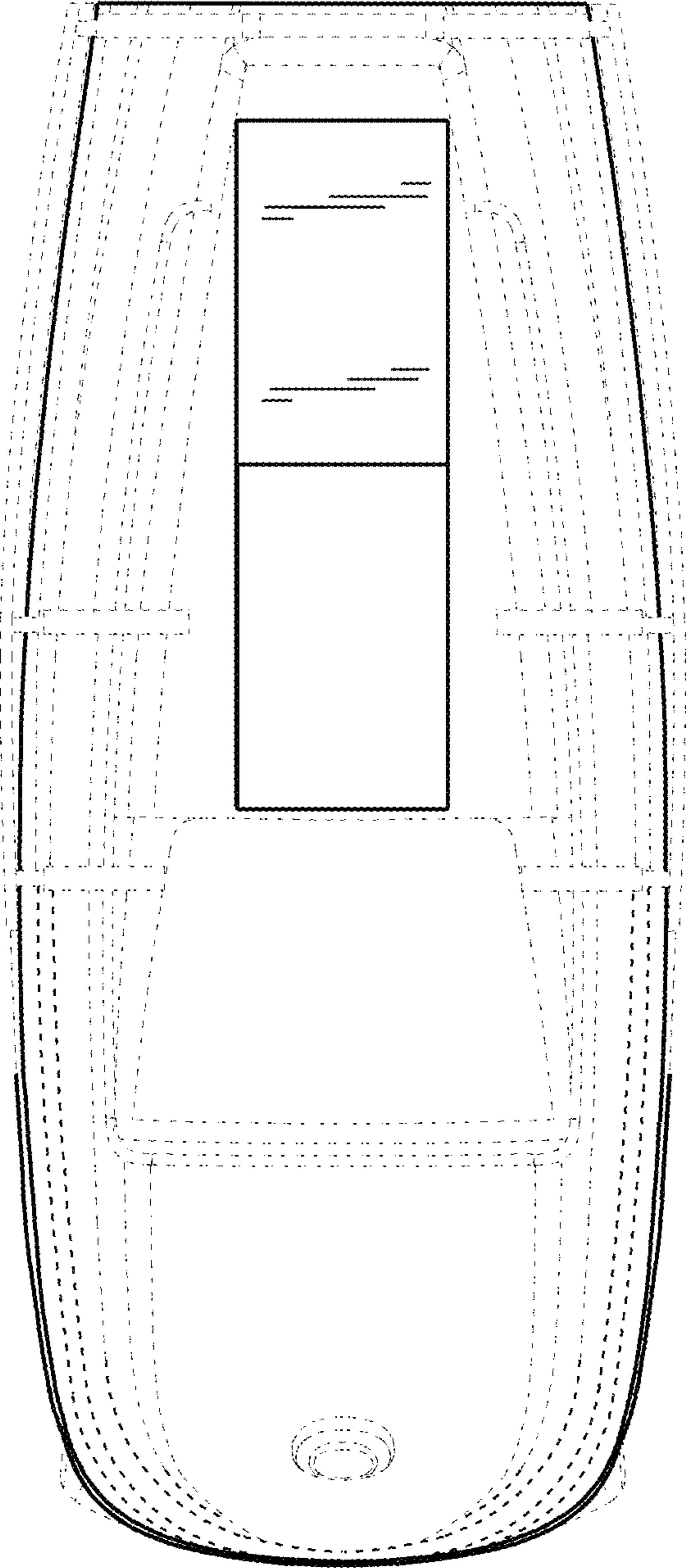


FIG. 6